



US00D644294S

(12) **United States Design Patent**  
**Clary**

(10) **Patent No.:** **US D644,294 S**

(45) **Date of Patent:** **\*\* Aug. 30, 2011**

(54) **TACTICAL MOUNTING BLOCK**

(56) **References Cited**

(75) **Inventor:** **Richard Lynn Clary**, Fayetteville, AR  
(US)

(73) **Assignee:** **Psychlops, LLC**, Fayetteville, AR (US)

(\*\*) **Term:** **14 Years**

(21) **Appl. No.:** **29/370,905**

(22) **Filed:** **Sep. 21, 2010**

(51) **LOC (9) Cl.** ..... **22-01**

(52) **U.S. Cl.** ..... **D22/108**

(58) **Field of Classification Search** ..... D22/100,  
D22/108, 109, 110, 199; 42/11, 113, 116,  
42/119, 124, 125, 127, 90, 145, 128, 72,  
42/106, 114, 85, 75.02, 71.01; 248/205.1,  
248/201

See application file for complete search history.

U.S. PATENT DOCUMENTS

D627,849 S *	11/2010	Keller	.....	D22/108
D636,047 S *	4/2011	Larson et al.	.....	D22/108
2006/0283318 A1 *	12/2006	Beaty	.....	89/193
2010/0101405 A1 *	4/2010	Adams	.....	89/191.01

\* cited by examiner

*Primary Examiner* — T. Chase Nelson  
*Assistant Examiner* — Michael Pratt  
(74) *Attorney, Agent, or Firm* — Stephen D. Carver

(57) **CLAIM**  
The ornamental design for a tactical mounting block, as shown and described.

**DESCRIPTION**

FIG. 1 is a front end view showing my new design;  
FIG. 2 is a rear end view thereof;  
FIG. 3 is a right side elevational view thereof;  
FIG. 4 is a left side elevational view thereof;  
FIG. 5 is a top plan view thereof;  
FIG. 6 is a bottom plan view thereof;  
FIG. 7 is a rear isometric view thereof; and,  
FIG. 8 is a bottom isometric view thereof.

**1 Claim, 5 Drawing Sheets**

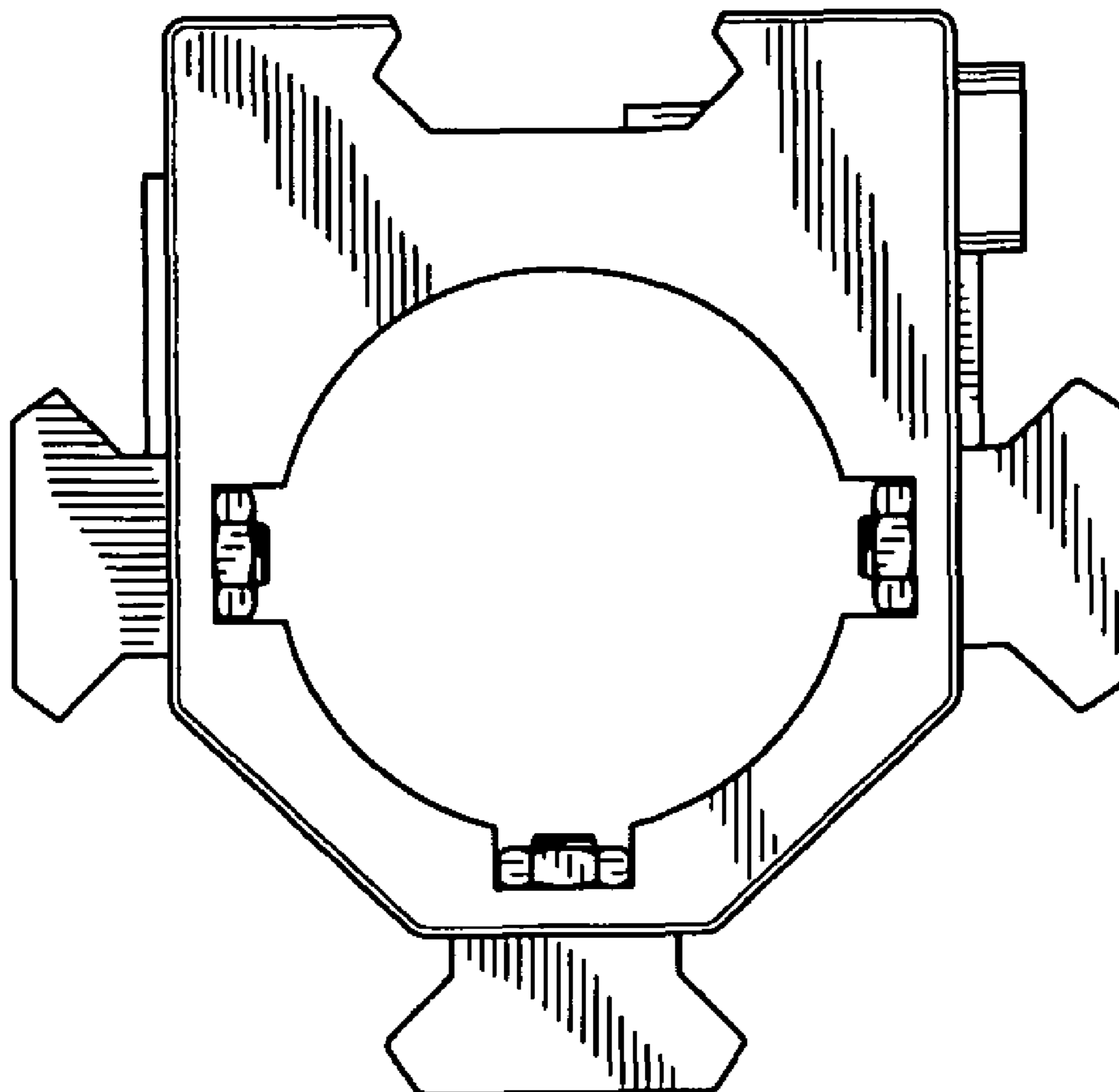


Fig. 1

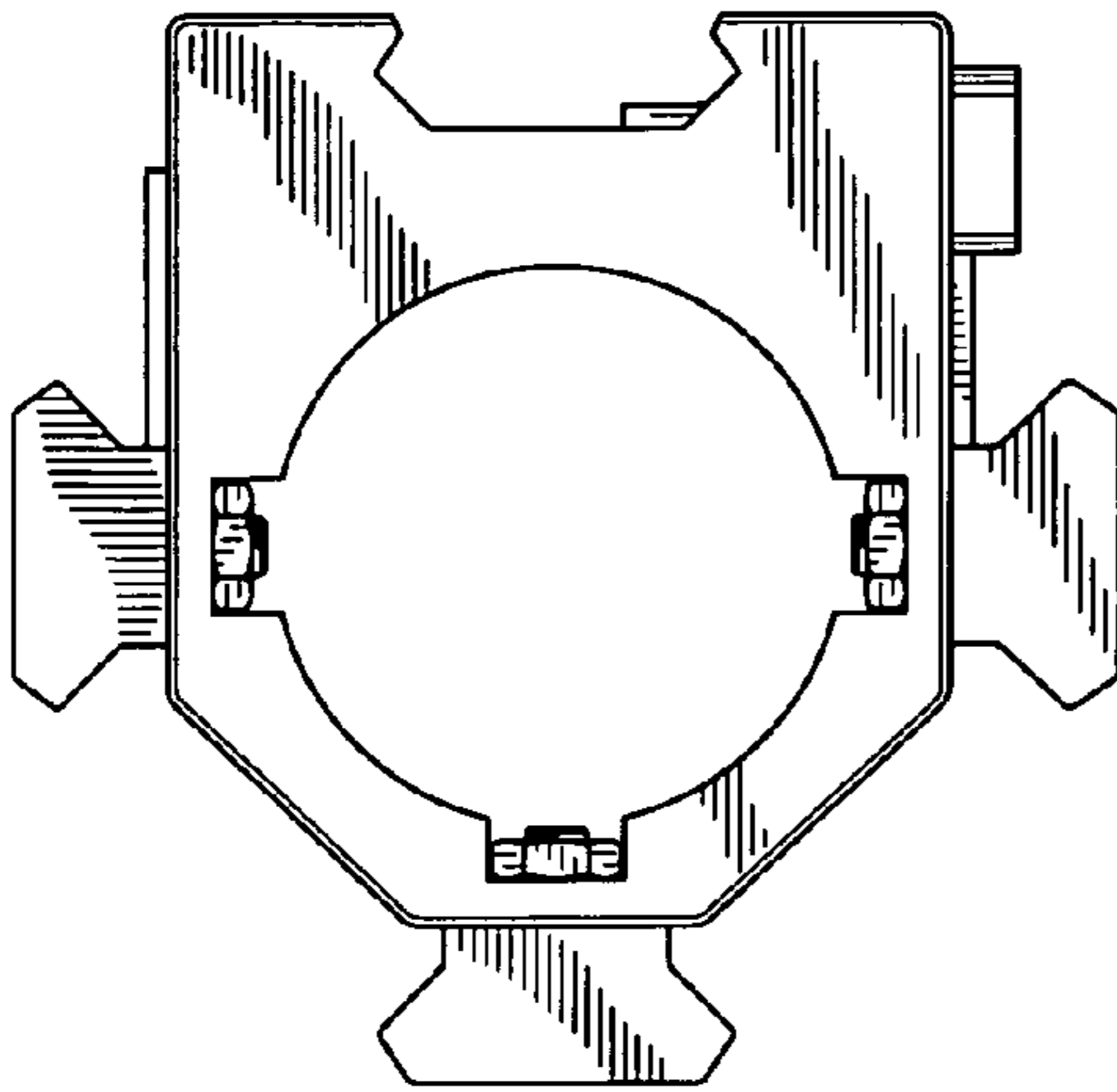


Fig. 2

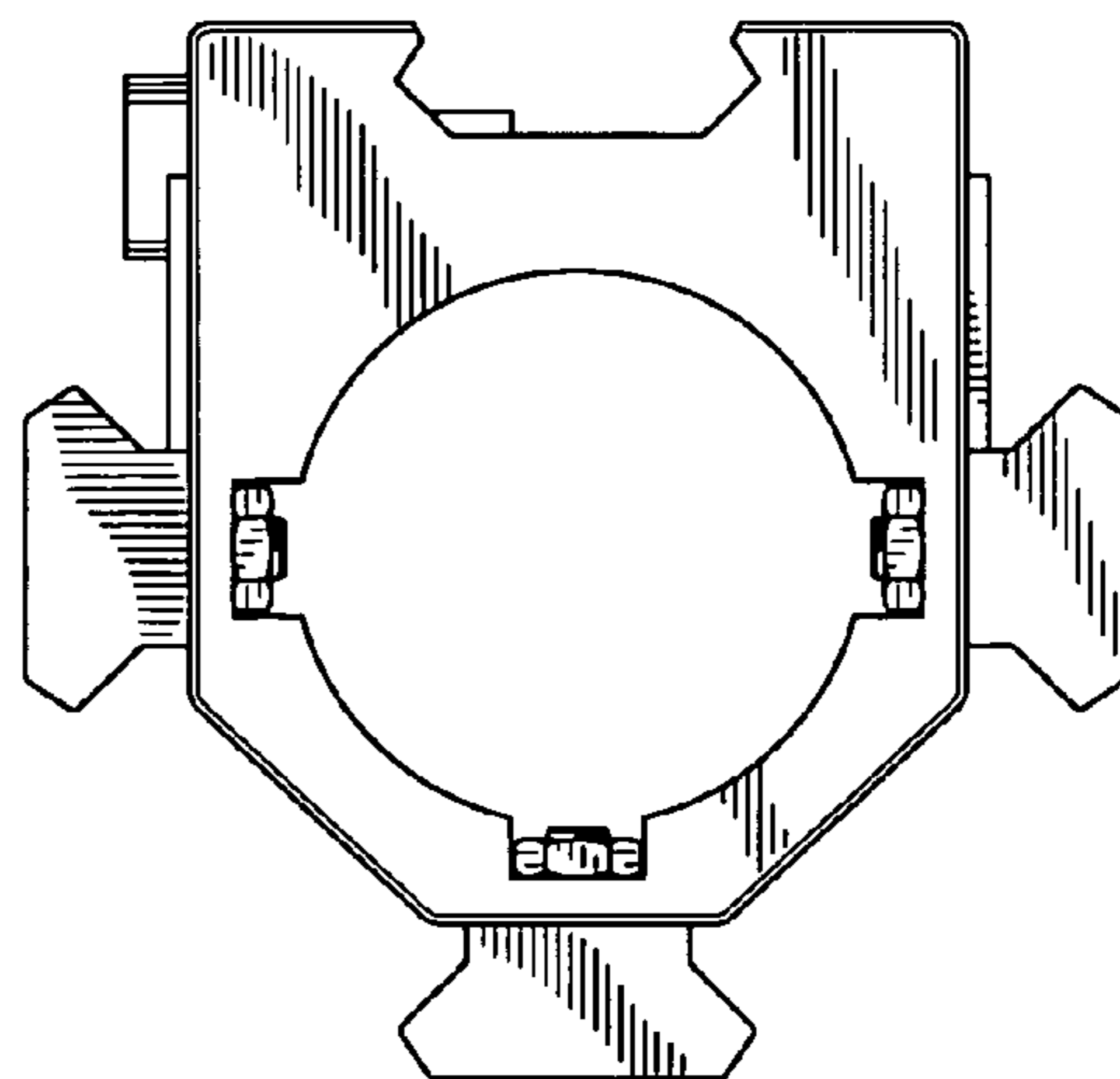


Fig. 3

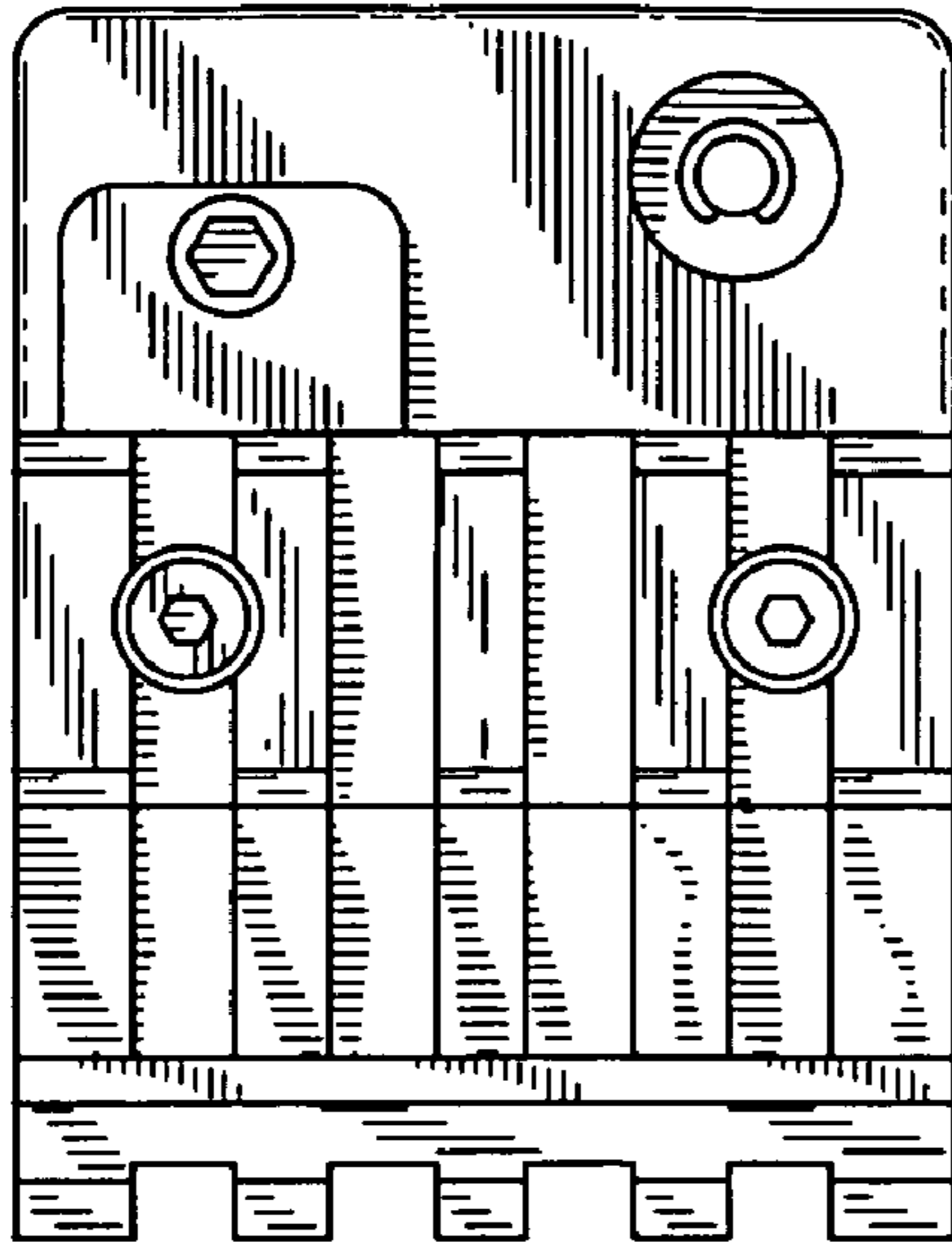


Fig. 4

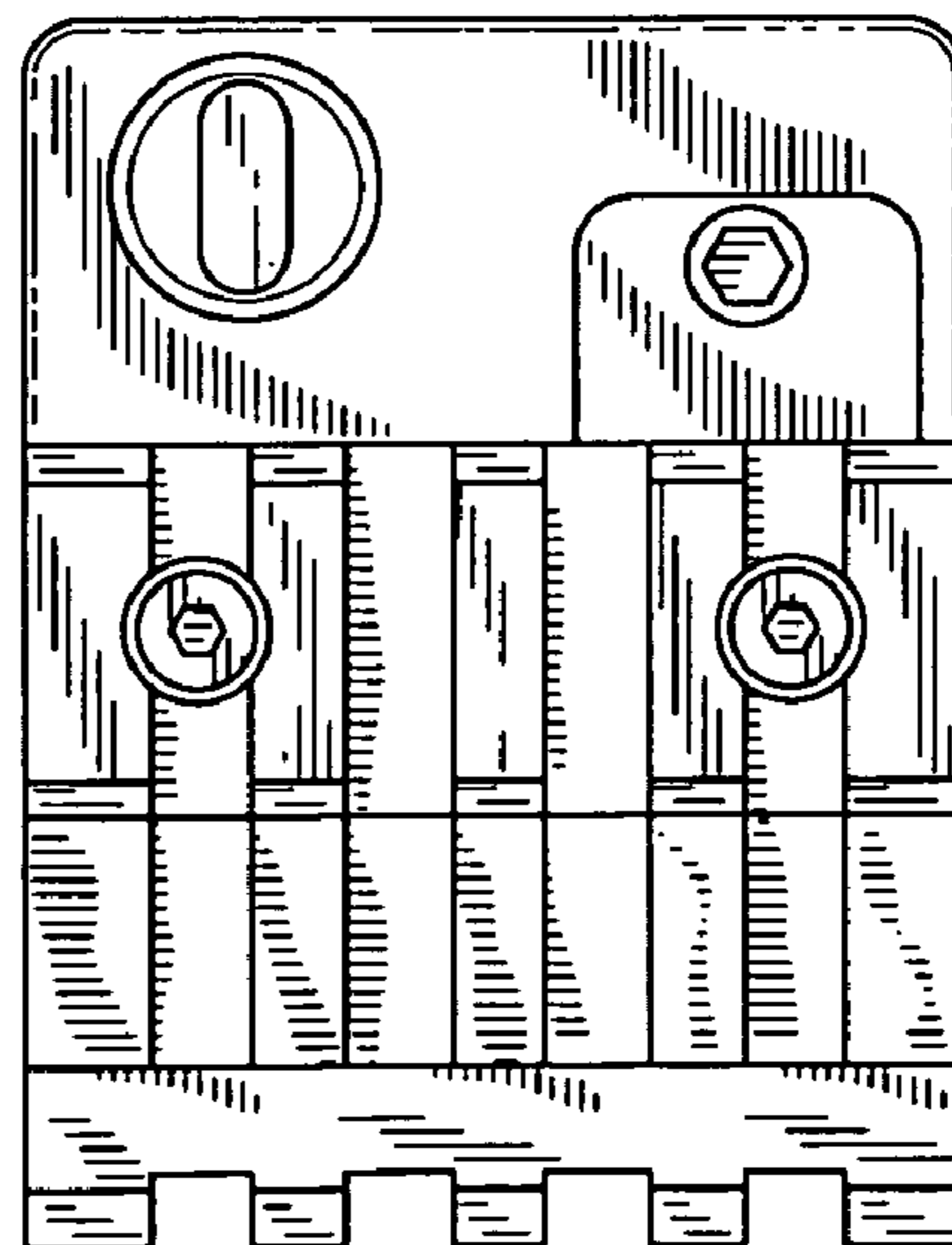


Fig. 5

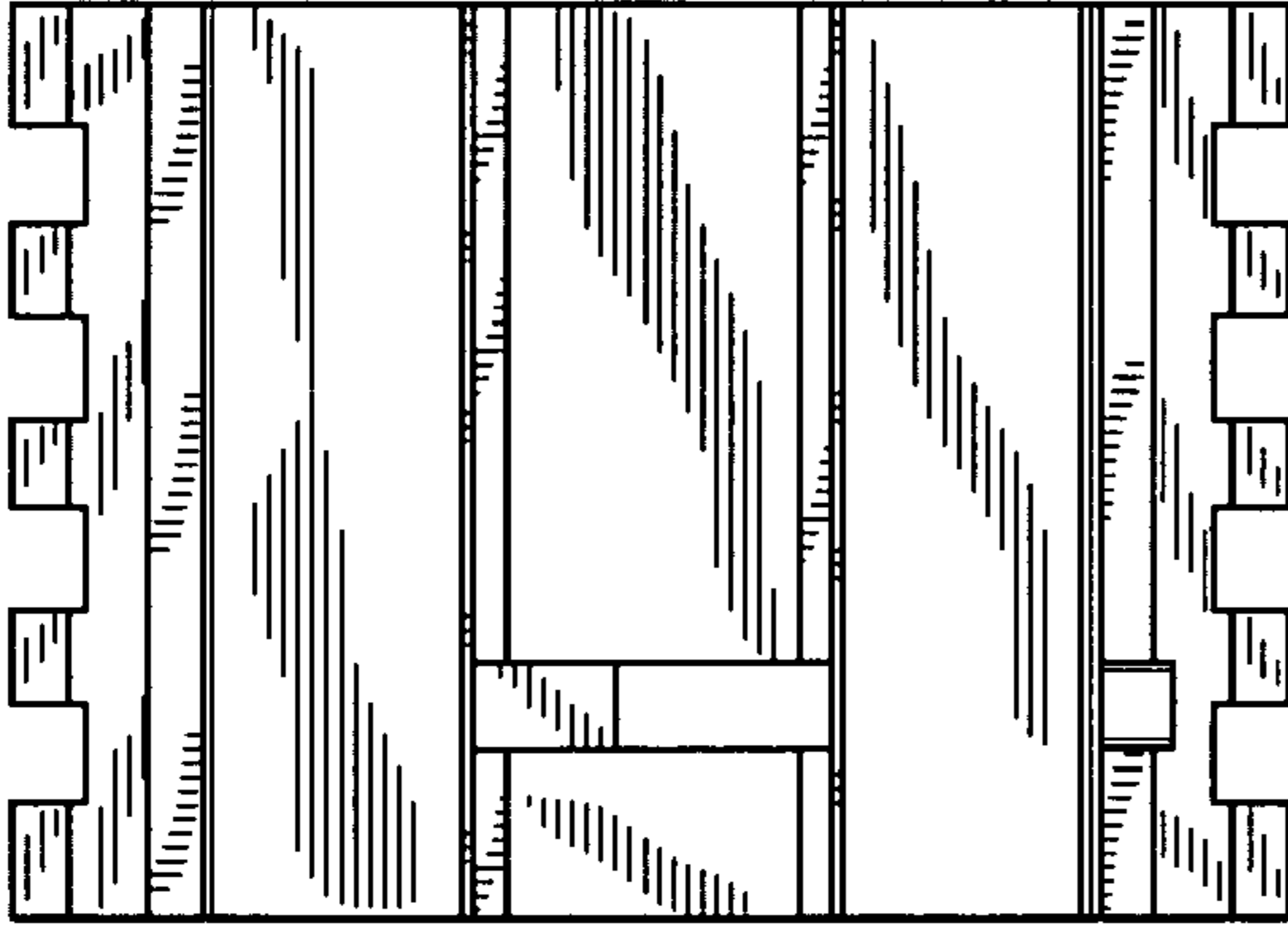


Fig. 6

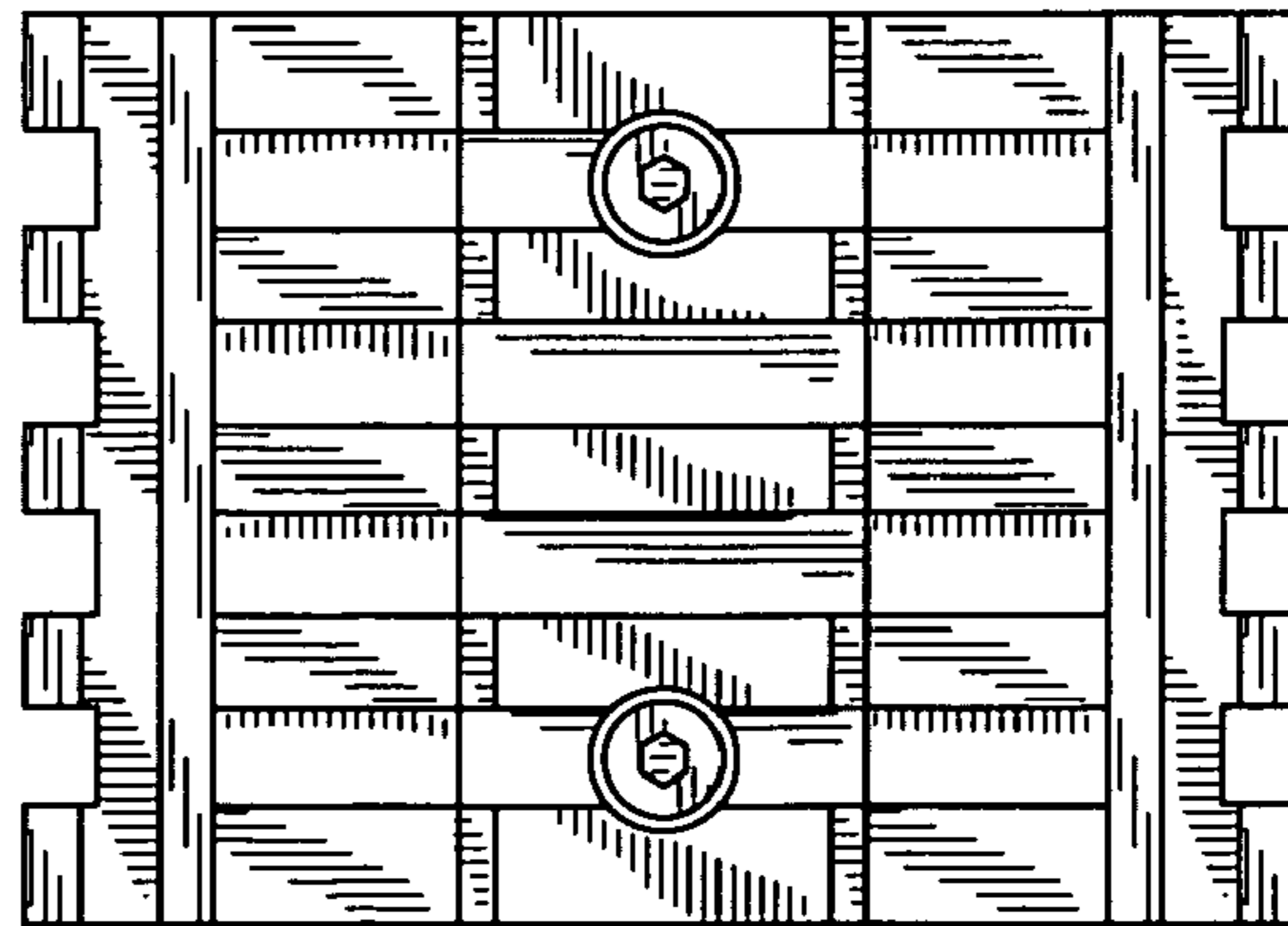


Fig. 7

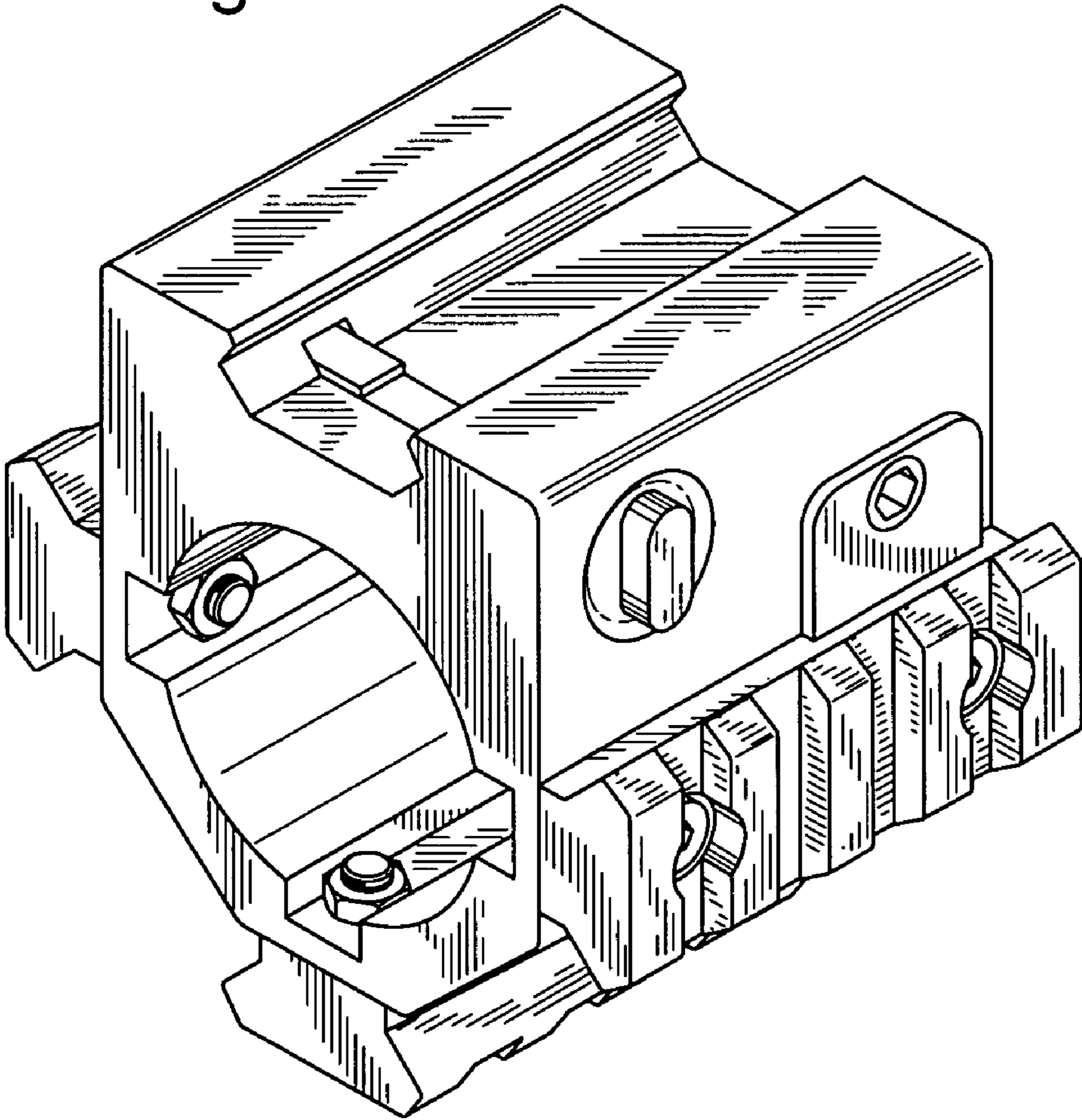


Fig. 8

