



US00D644293S

(12) **United States Design Patent**  
**Fitzpatrick et al.**

(10) **Patent No.:** **US D644,293 S**

(45) **Date of Patent:** **\*\* Aug. 30, 2011**

(54) **MAGAZINE FOLLOWER**

(75) Inventors: **Richard M. Fitzpatrick**, Longmont, CO (US); **Michael T. Mayberry**, Denver, CO (US); **Brian L. Nakayama**, Arvada, CO (US)

(73) Assignee: **Magpul Industries Corp.**, Boulder, CO (US)

(\*\*) Term: **14 Years**

(21) Appl. No.: **29/360,952**

(22) Filed: **May 3, 2010**

**Related U.S. Application Data**

(63) Continuation-in-part of application No. 29/329,454, filed on Dec. 15, 2008, now Pat. No. Des. 615,143, which is a continuation-in-part of application No. 11/307,495, filed on Feb. 9, 2006, now Pat. No. 7,621,063.

(51) **LOC (9) Cl.** ..... **22-01**

(52) **U.S. Cl.** ..... **D22/108**

(58) **Field of Classification Search** ..... D22/100-116;  
D21/572, 573; 124/66, 67, 74; 42/51, 71.01,  
42/75.01, 75.02, 90, 94; 362/110; 89/40.06,  
89/37.04, 33.04, 191.01

See application file for complete search history.

(56) **References Cited**

U.S. PATENT DOCUMENTS

D615,143 S \* 5/2010 Fitzpatrick et al. .... D22/108  
7,730,654 B2 \* 6/2010 Kim ..... 42/1.02  
2009/0107022 A1 \* 4/2009 Fitzpatrick et al. .... 42/50  
2010/0126053 A1 \* 5/2010 Fitzpatrick et al. .... 42/50  
\* cited by examiner

*Primary Examiner* — T. Chase Nelson

*Assistant Examiner* — Michael Pratt

(74) *Attorney, Agent, or Firm* — Geoffrey E. Dobbin

(57) **CLAIM**

The ornamental design for a magazine follower, as shown and described.

**DESCRIPTION**

FIG. 1 is a top/left perspective view of the magazine follower. FIG. 2 is a bottom plan view of the magazine follower. FIG. 3 is a top plan view of the magazine follower. FIG. 4 is a right elevation of the magazine follower. FIG. 5 is a left elevation of the magazine follower. FIG. 6 is front elevation of the magazine follower. FIG. 7 is a rear elevation of the magazine follower. FIG. 8 is a top/right perspective view of the magazine follower. FIG. 9 is a bottom/left perspective view of the magazine follower; and, FIG. 10 is a bottom/right perspective view of the magazine follower.

**1 Claim, 4 Drawing Sheets**

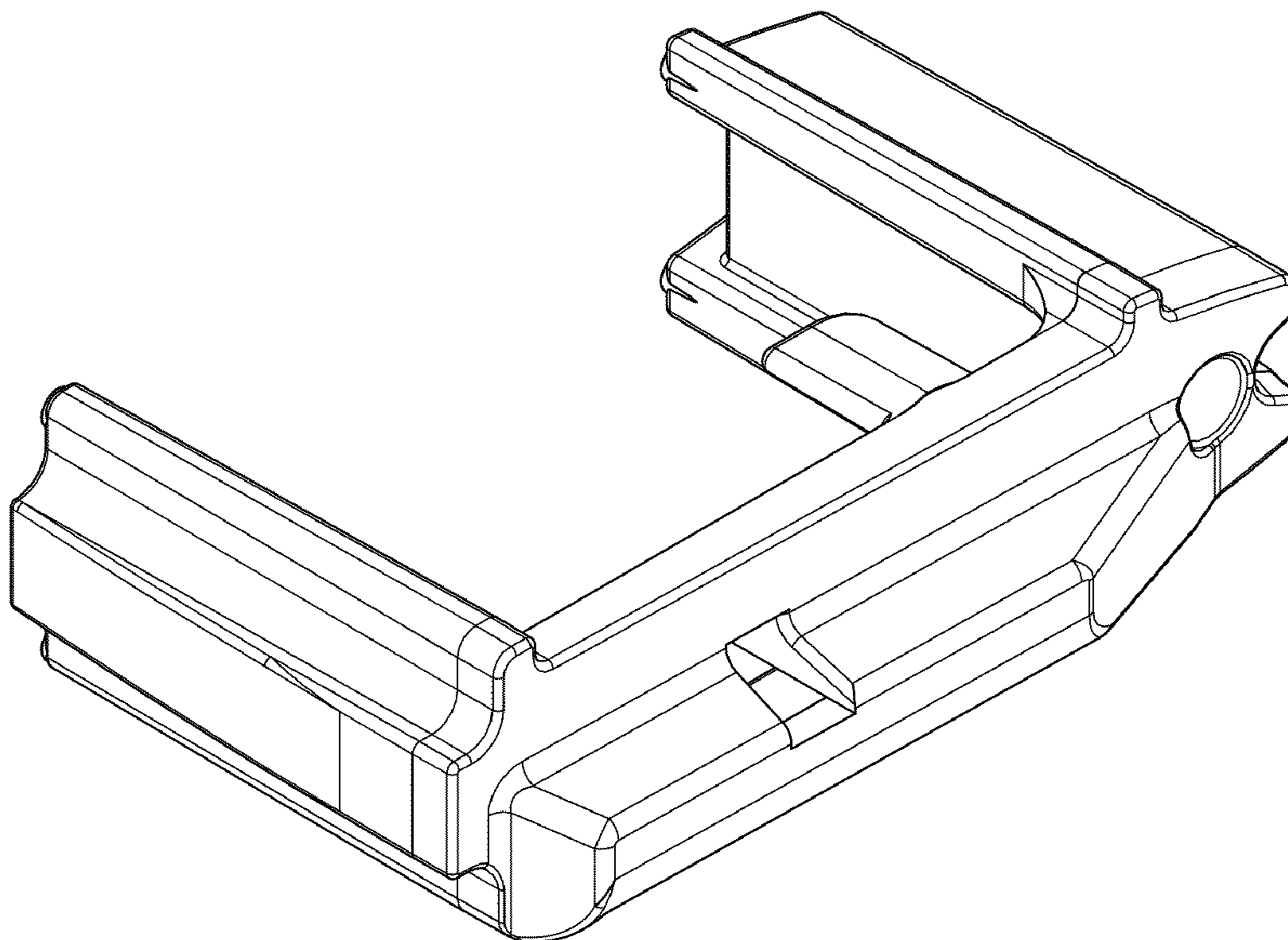


FIG. 1

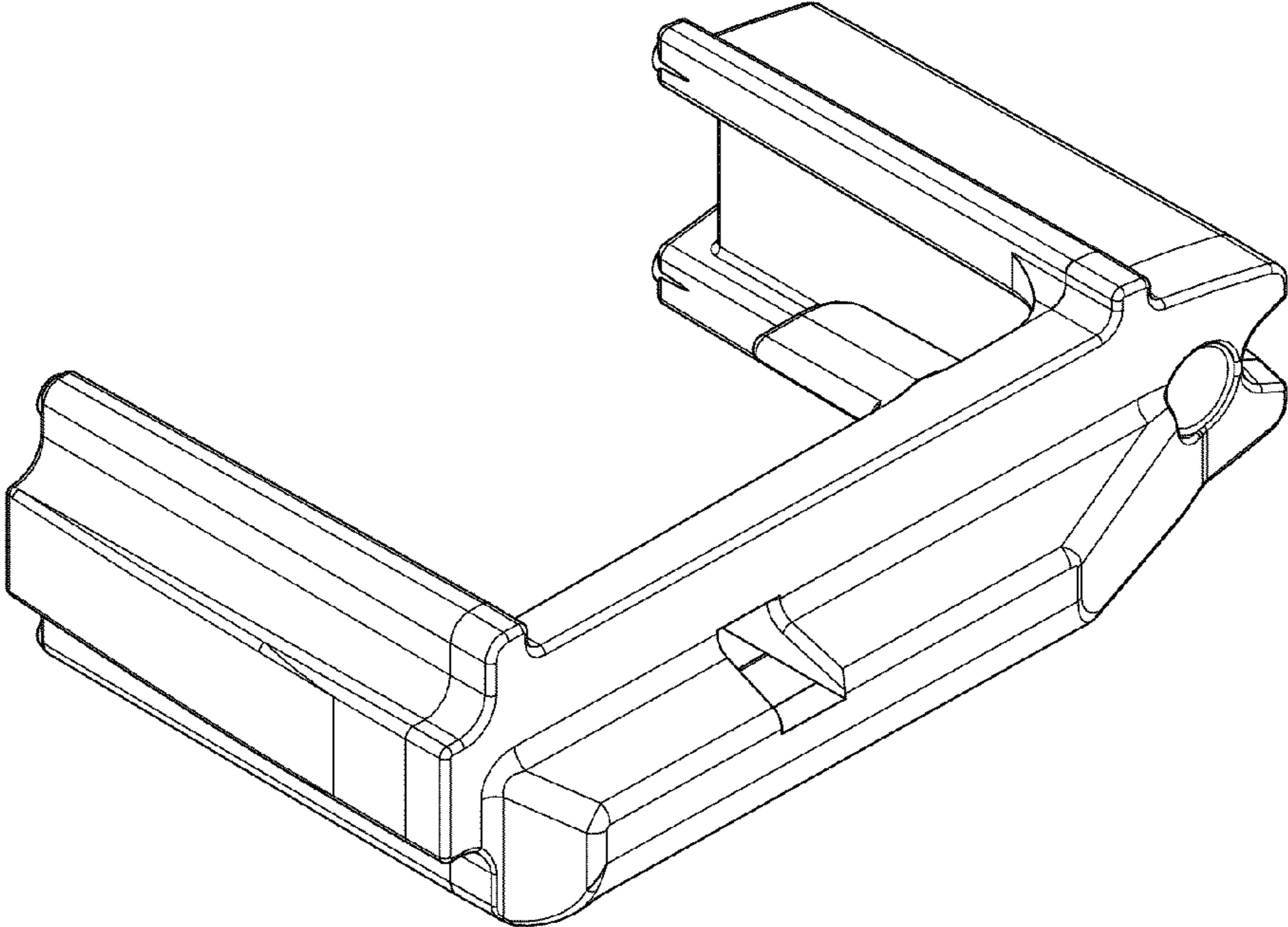


FIG. 2

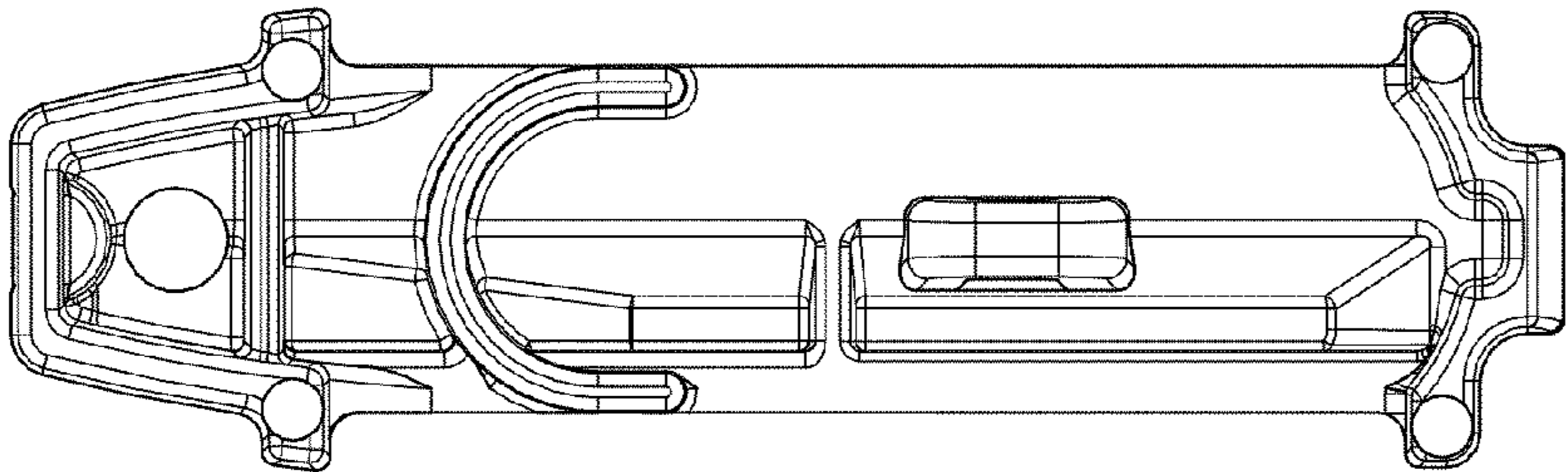
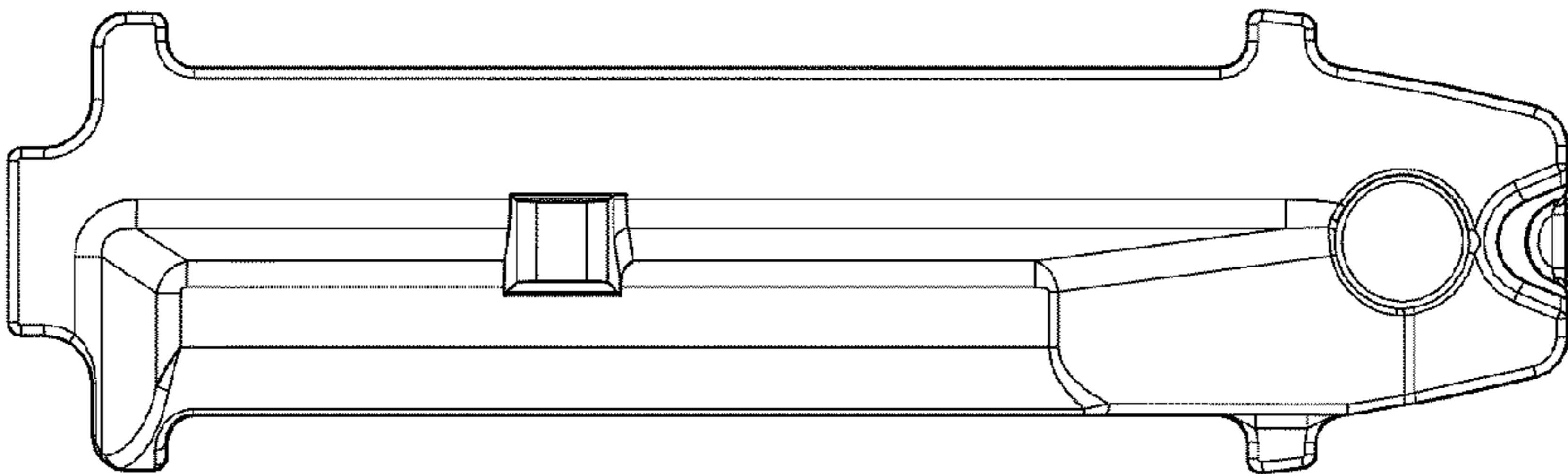


FIG. 3



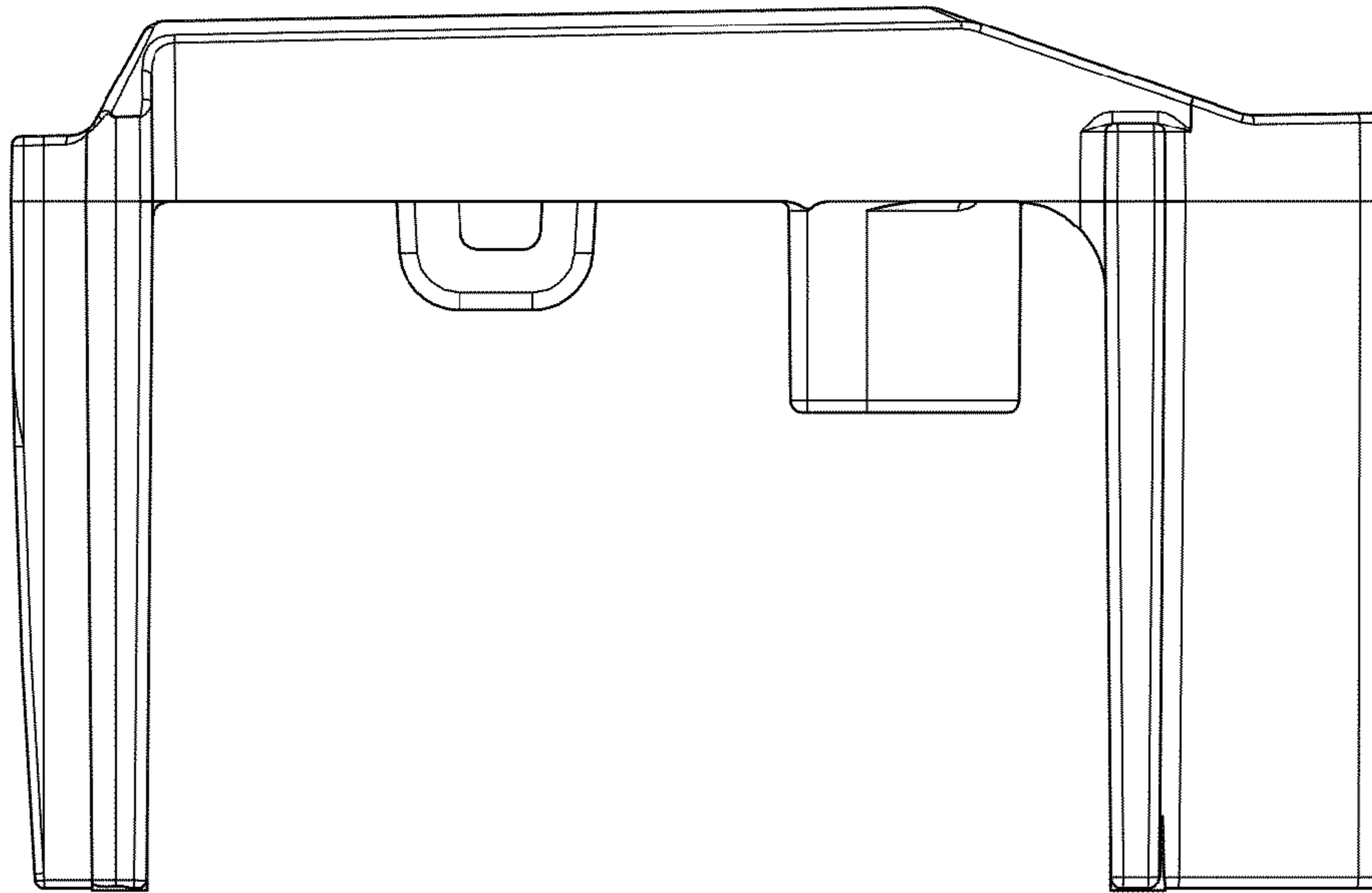


FIG. 4

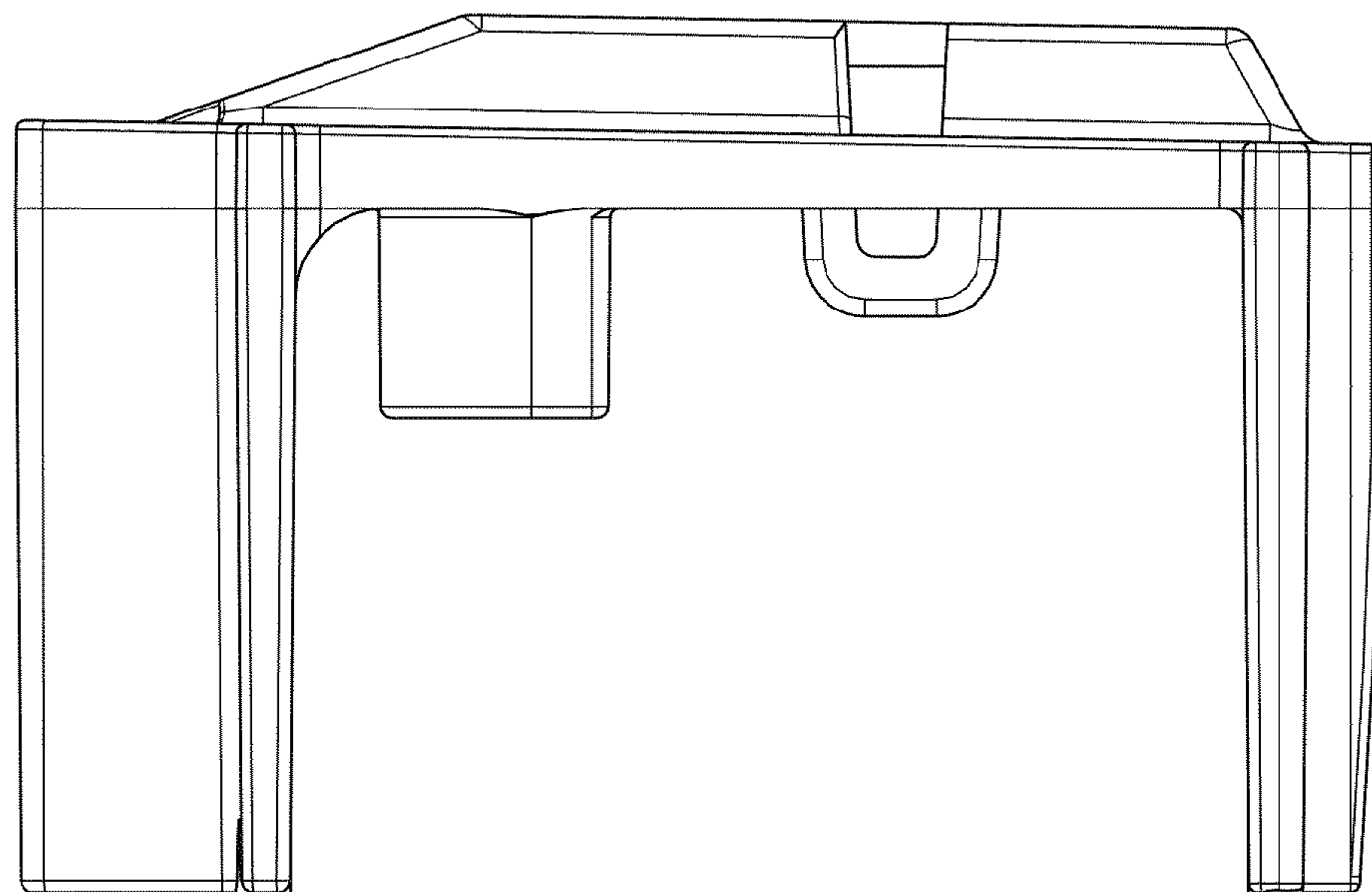


FIG. 5

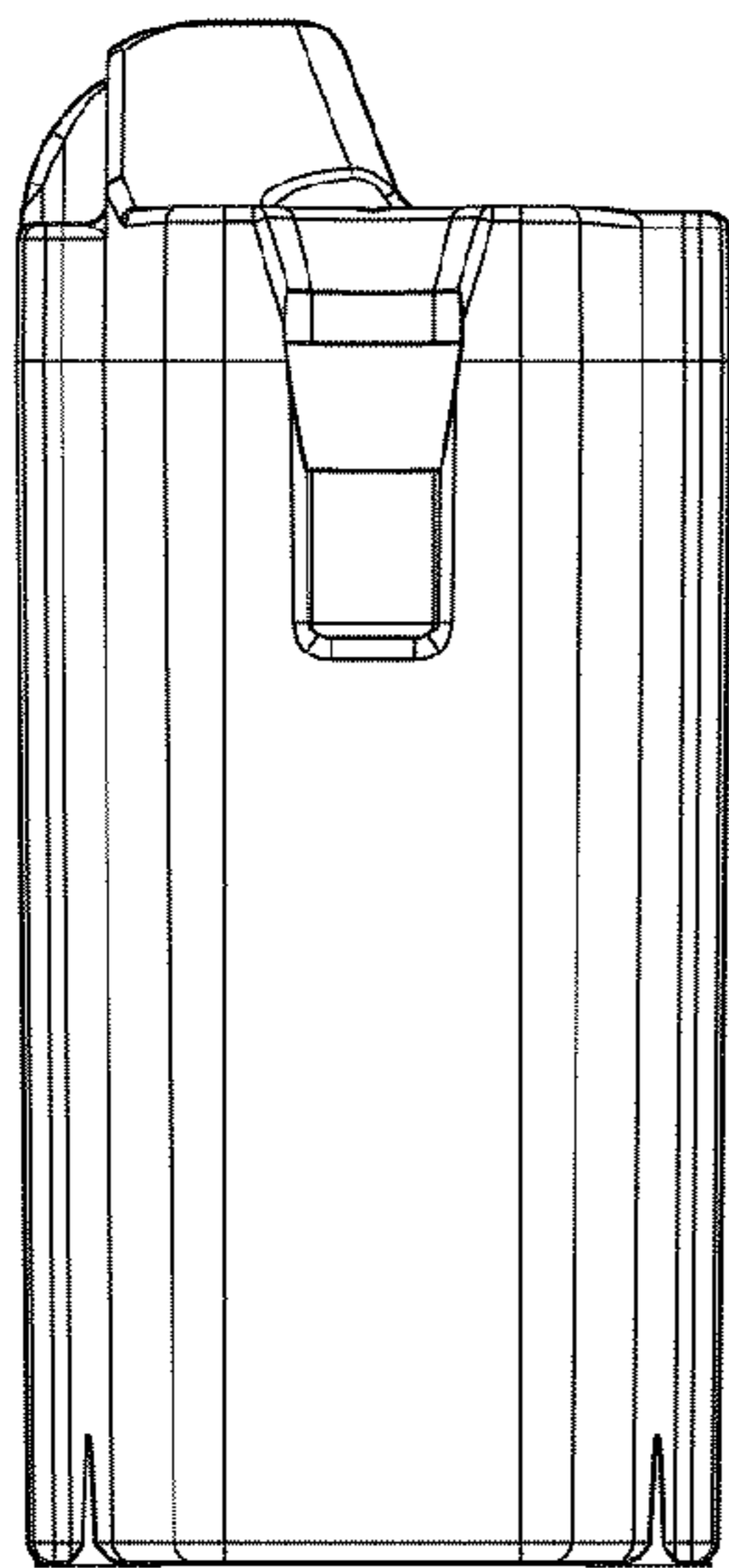


FIG. 6

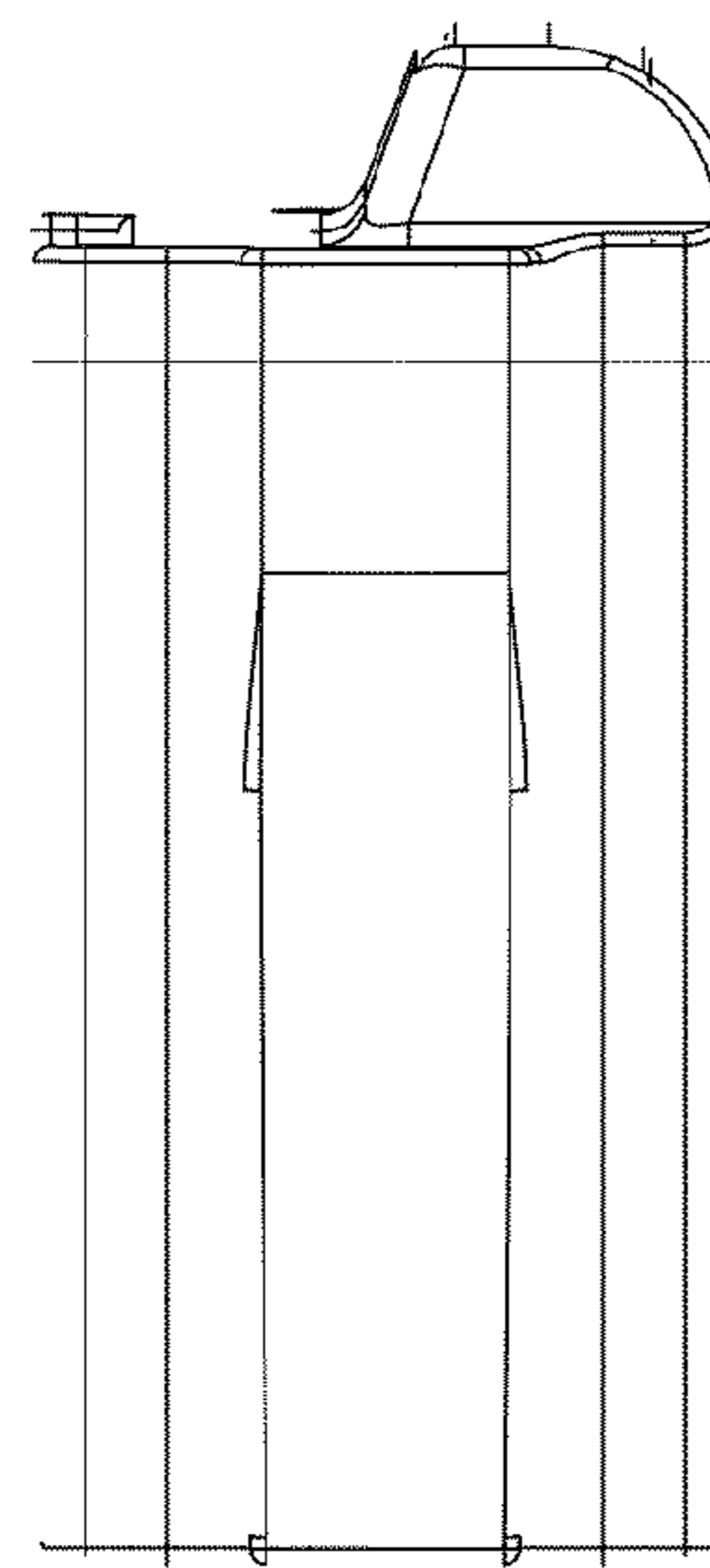


FIG. 7

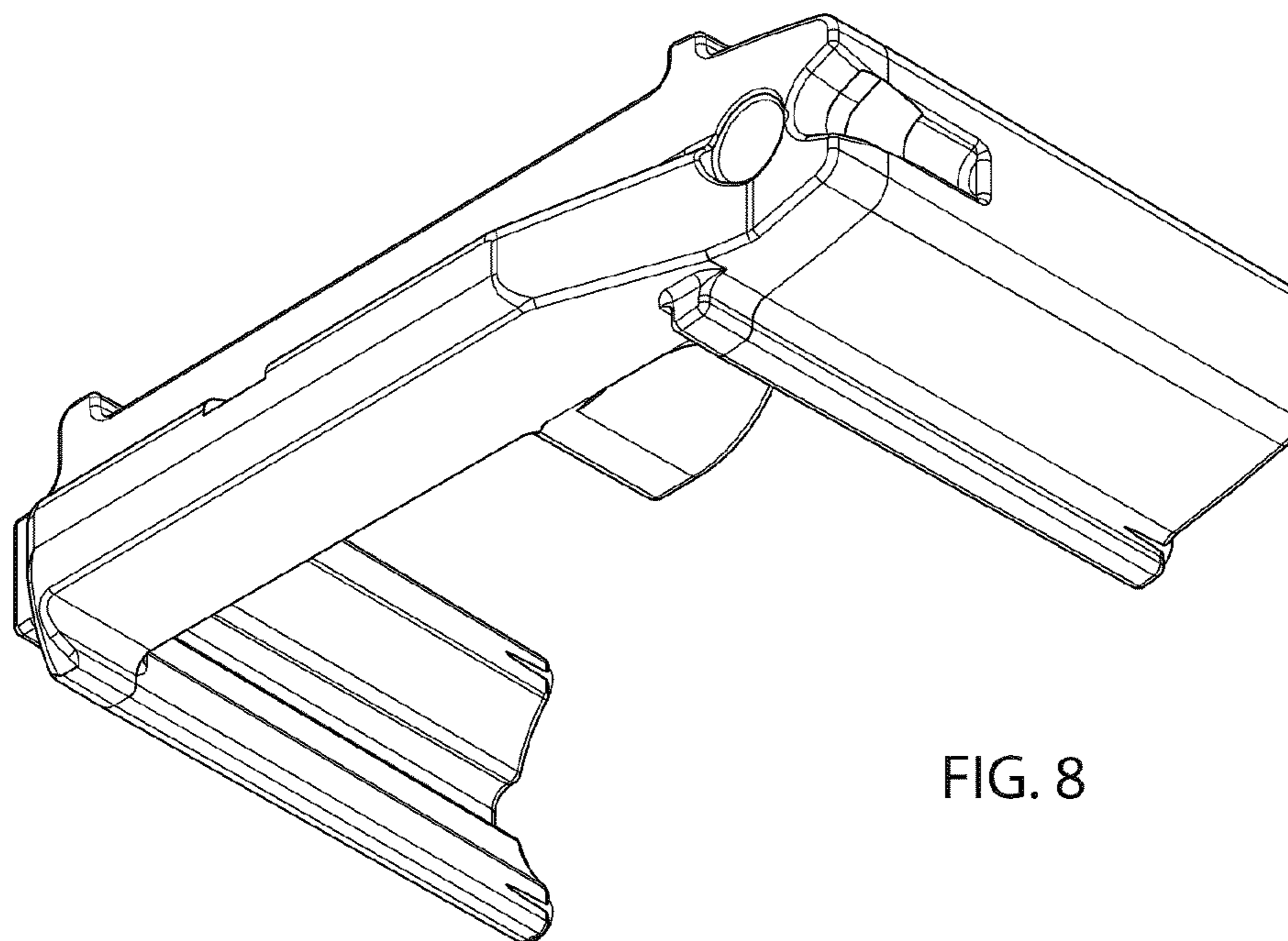


FIG. 8

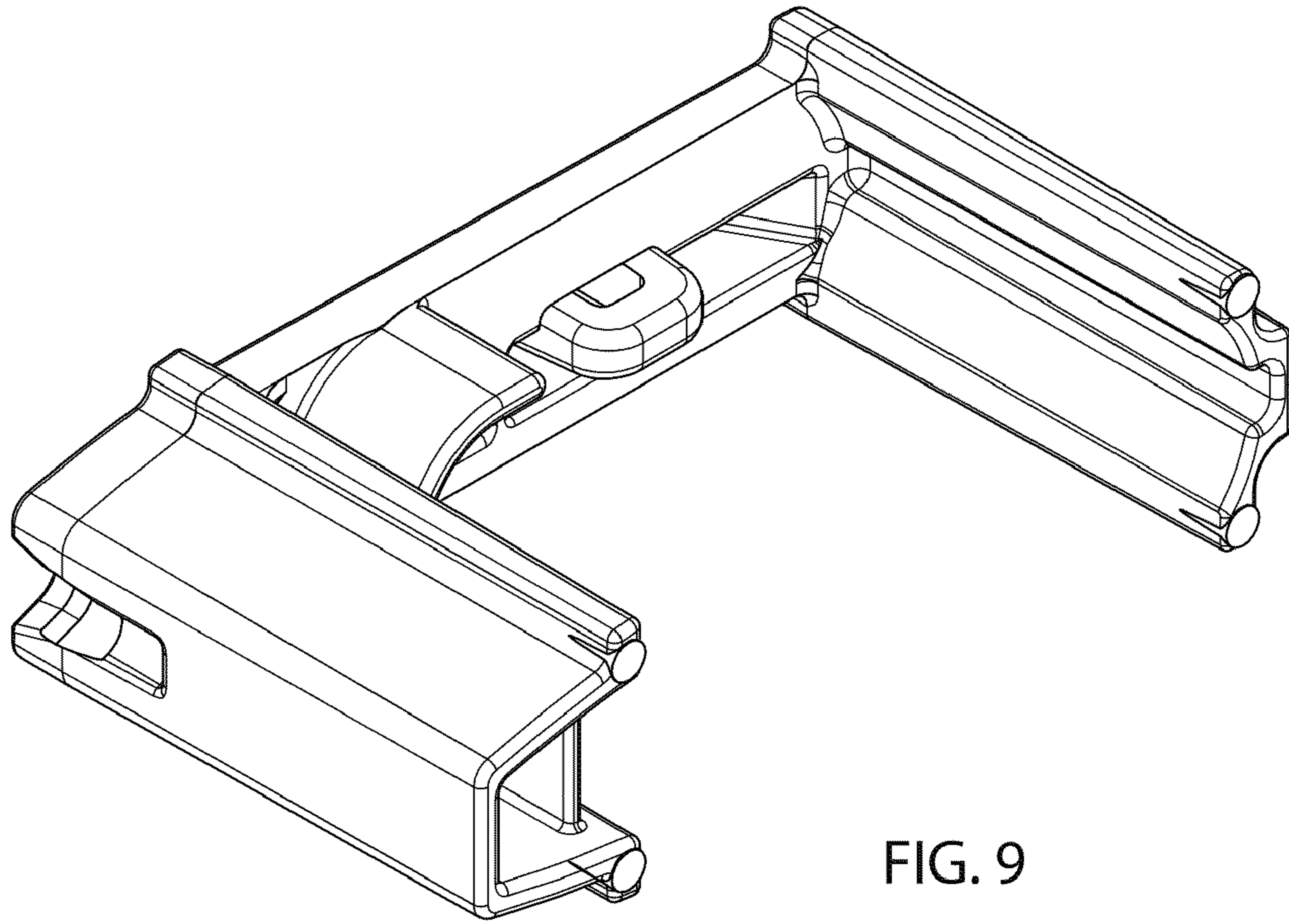


FIG. 9

FIG. 10

