



US00D644292S

(12) **United States Design Patent**
Nelsen

(10) **Patent No.:** **US D644,292 S**

(45) **Date of Patent:** **** Aug. 30, 2011**

(54) **SHOTGUN SHELL DISPENSER**

DESCRIPTION

(76) Inventor: **Bradford David Nelsen**, Liberty Lake, WA (US)

(**) Term: **14 Years**

(21) Appl. No.: **29/354,099**

(22) Filed: **Jan. 19, 2010**

(51) **LOC (9) Cl.** **22-01**

(52) **U.S. Cl.** **D22/108**

(58) **Field of Classification Search** D22/100-116;
D21/572, 573; 124/66, 67, 74; 42/51, 71.01,
42/75.01, 75.02, 90, 94; 362/110; 33/241;
89/40.06, 37.04, 33.04, 191.01

See application file for complete search history.

FIG. 1 is a left side top isometric view of a shotgun shell dispenser showing a shell follower in a first position when a single shotgun shell is in the shotgun shell dispenser;

FIG. 2 is a right side bottom isometric view of the shotgun shell dispenser of FIG. 1 showing the shell follower in a second position when no shotgun shells are in the shotgun shell dispenser;

FIG. 3 is a left side view of the shotgun shell dispenser of FIG. 1 showing the shell follower in the second position when no shotgun shells are in the shotgun shell dispenser;

FIG. 4 is a front view of the shotgun shell dispenser of FIG. 1 showing the shell follower in the second position when no shotgun shells are in the shotgun shell dispenser;

FIG. 5 is a right side view of the shotgun shell dispenser of FIG. 1 showing the shell follower in the second position when no shotgun shells are in the shotgun shell dispenser;

FIG. 6 is a back view of the shotgun shell dispenser of FIG. 1;

FIG. 7 is a top view of the shotgun shell dispenser of FIG. 1 showing the shell follower in the second position when no shotgun shells are in the shotgun shell dispenser;

FIG. 8 is a bottom view of the shotgun shell dispenser of FIG. 1; and,

FIG. 9 is a left side isometric view of the shotgun shell dispenser of FIG. 1 with the belt loop removed and showing the shell follower in the first position when a single shotgun shell is in the shotgun shell dispenser.

In FIGS. 1-9, the broken lines indicating environmental features form no part of the claimed design.

(56) **References Cited**

U.S. PATENT DOCUMENTS

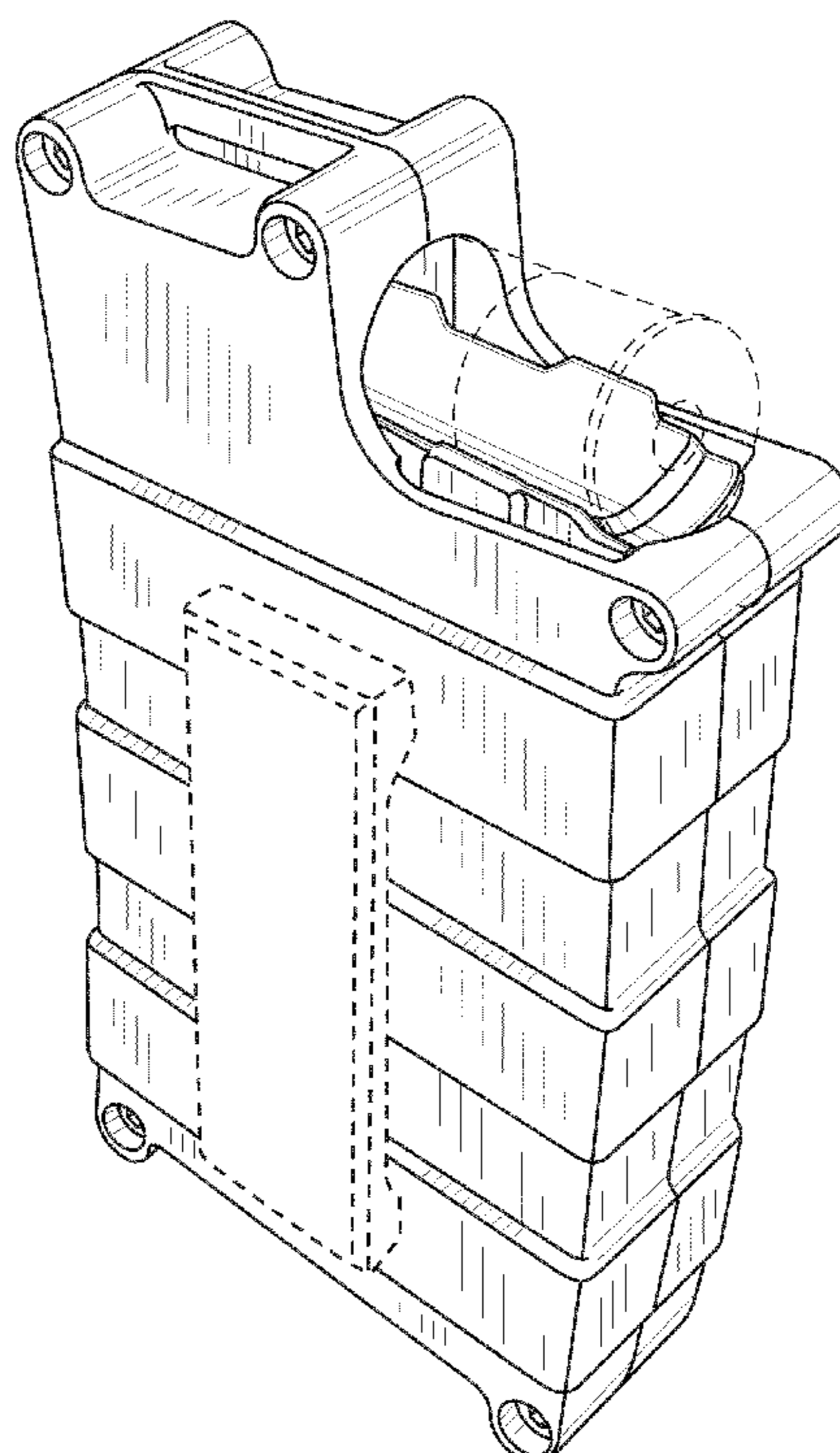
3,219,244	A *	11/1965	Blask	221/310
3,283,954	A *	11/1966	Spooner	221/232
4,381,845	A *	5/1983	Feis	221/185
4,651,619	A *	3/1987	Voecks	86/44
4,843,649	A *	7/1989	Jewell et al.	2/94
2006/0010752	A1 *	1/2006	Rogers	42/90

* cited by examiner

Primary Examiner — T. Chase Nelson
Assistant Examiner — Michael Pratt
 (74) *Attorney, Agent, or Firm* — Stoel Rives LLP

(57) **CLAIM**
 I claim the ornamental design for a shotgun shell dispenser, as shown and described.

1 Claim, 5 Drawing Sheets



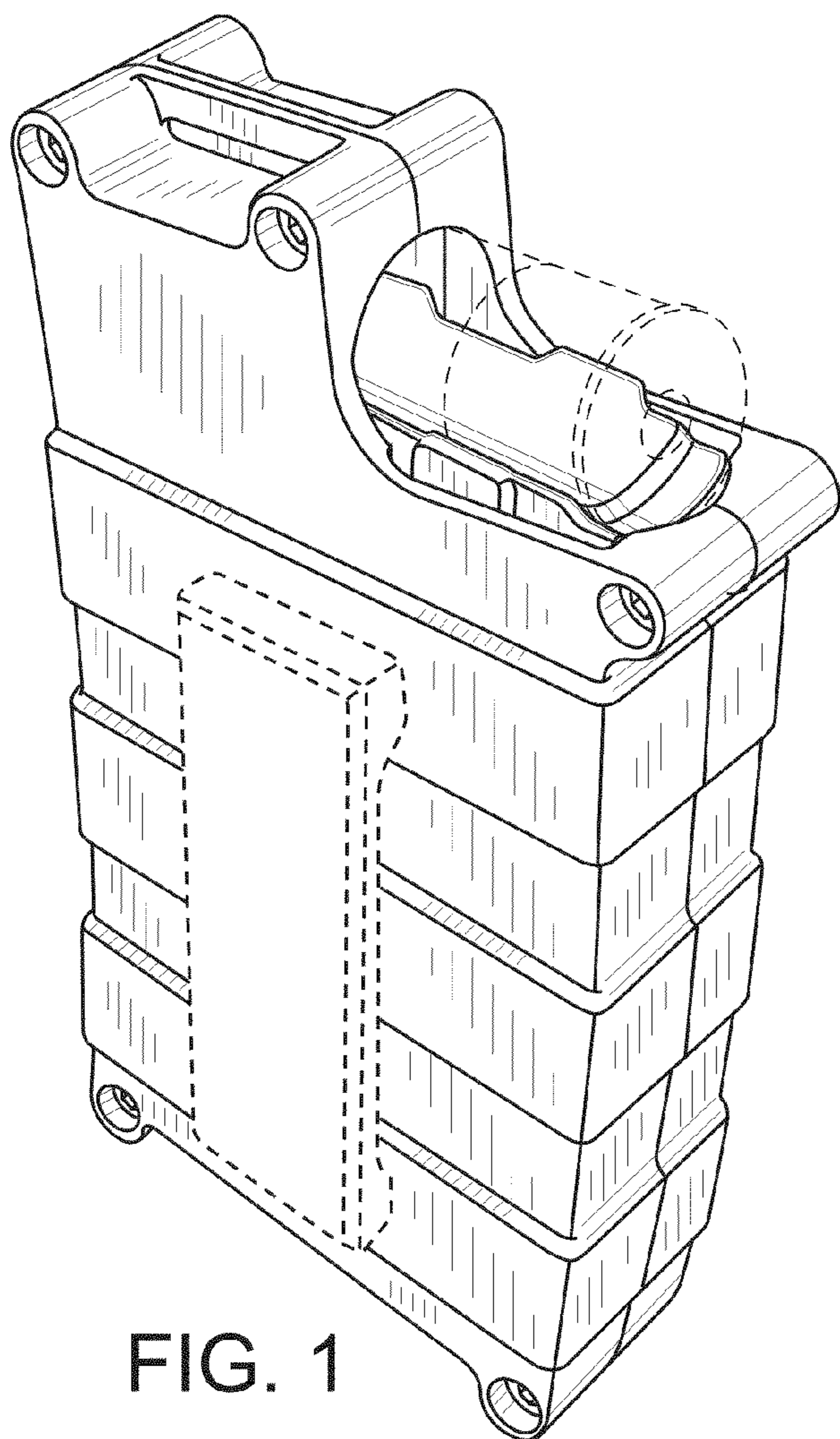


FIG. 1

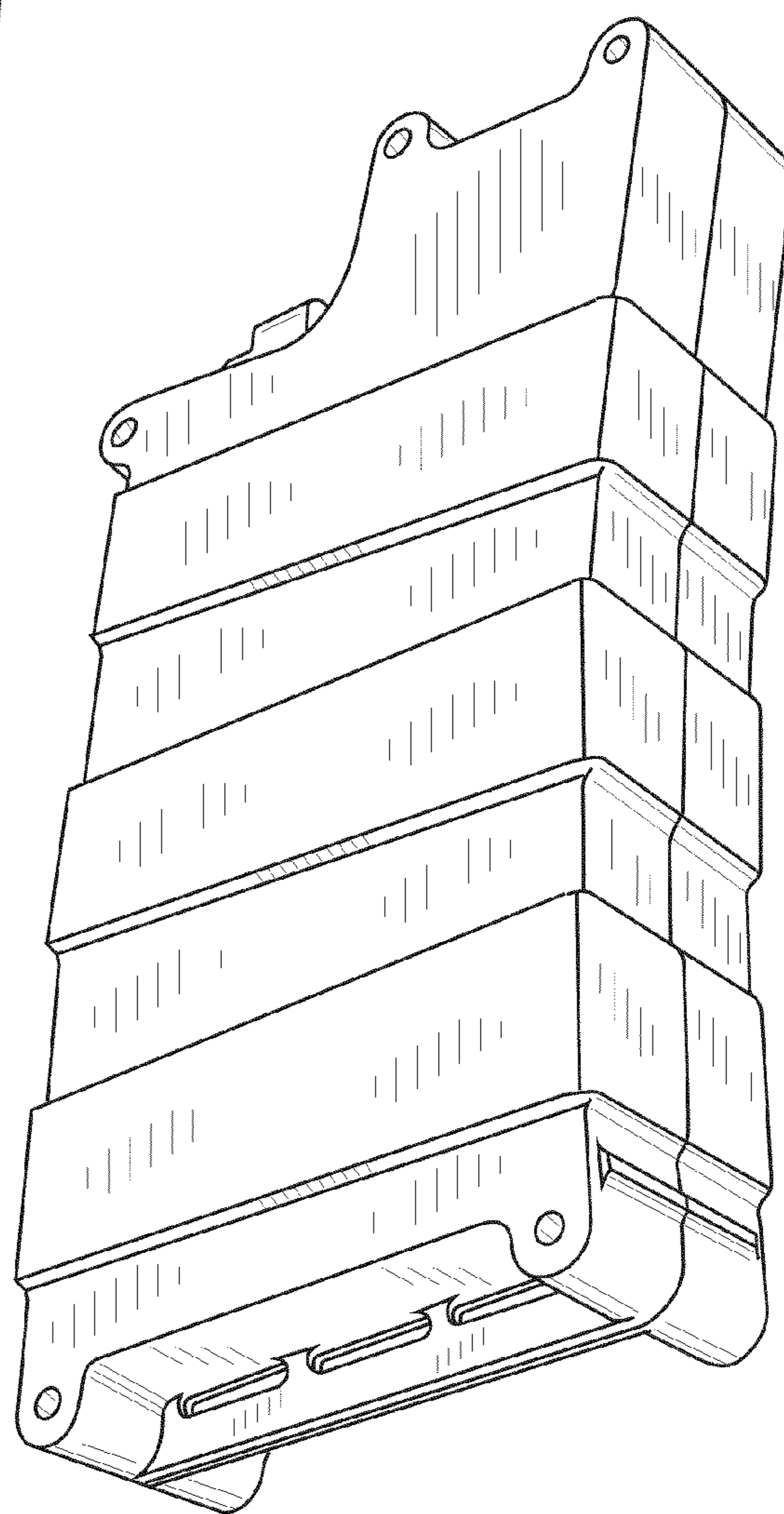


FIG. 2

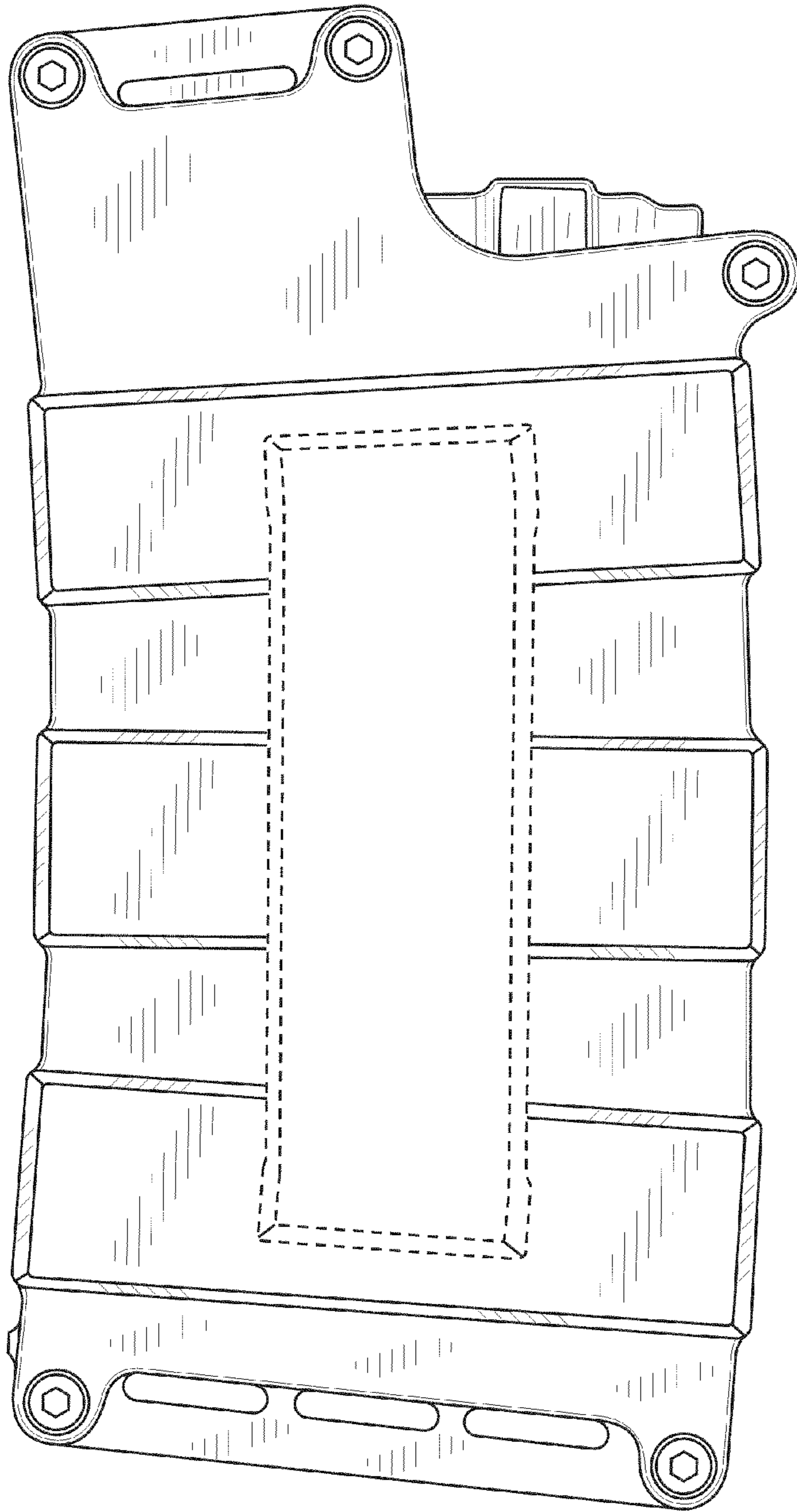


FIG. 3

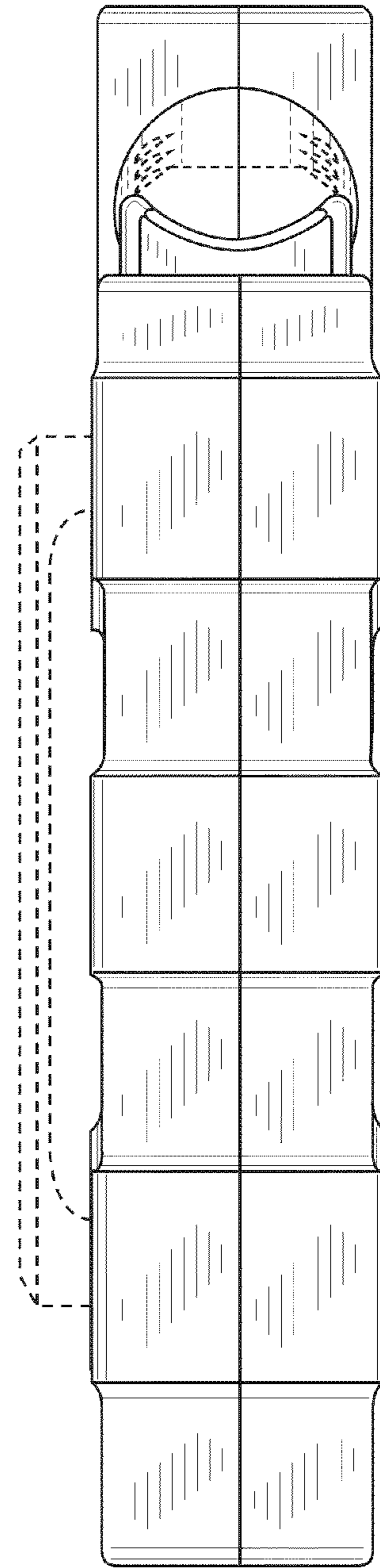


FIG. 4

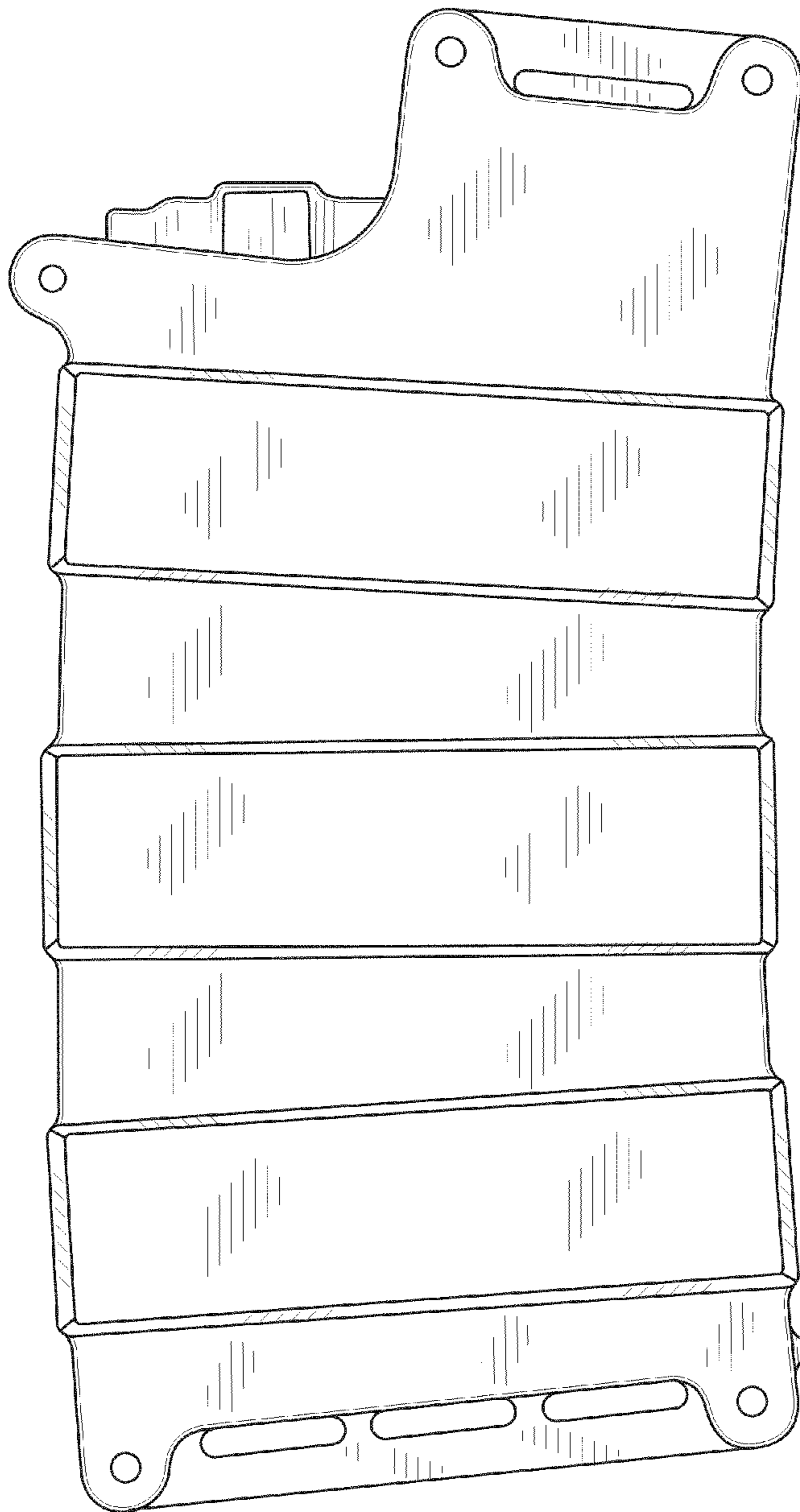


FIG. 5

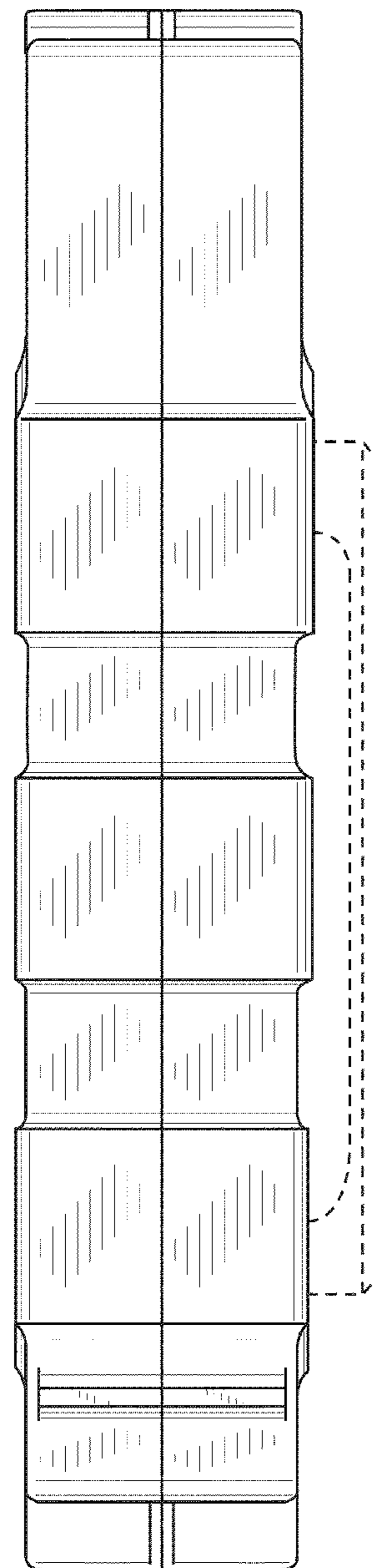


FIG. 6

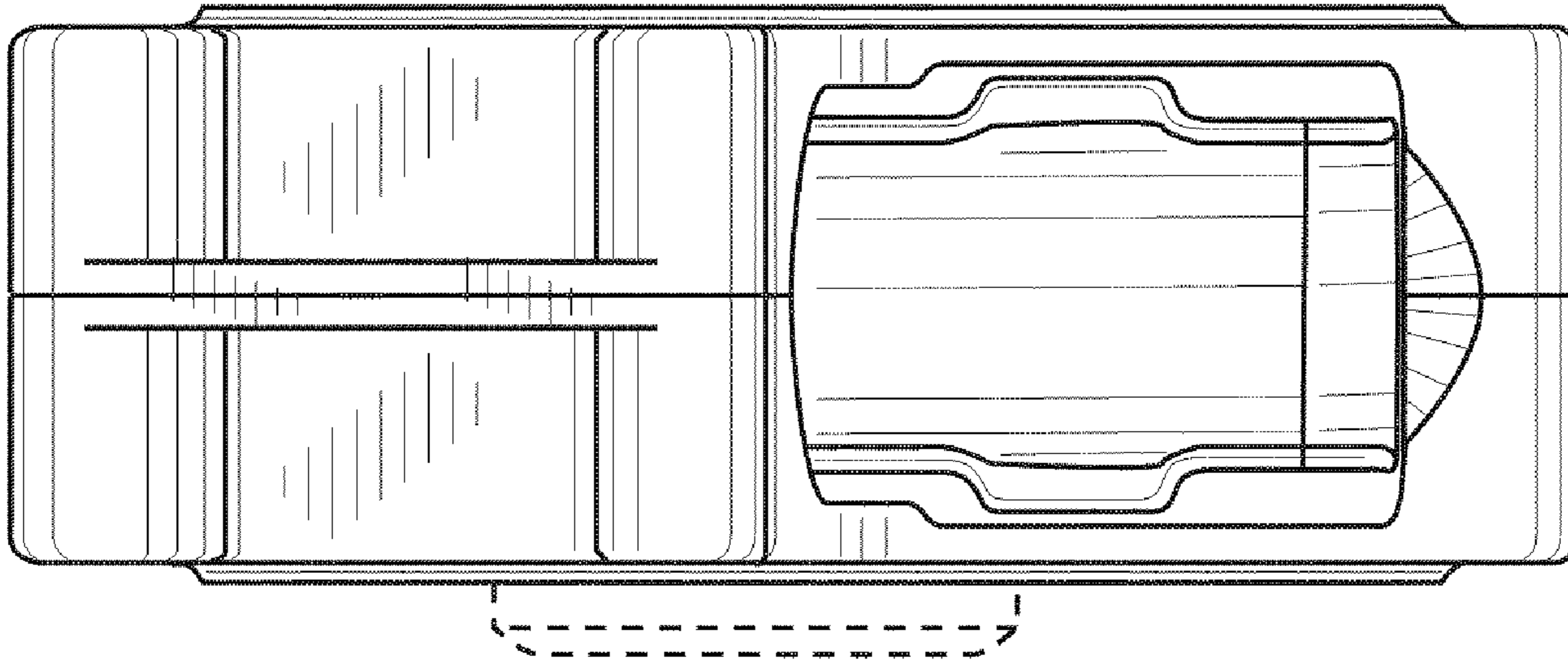


FIG. 7

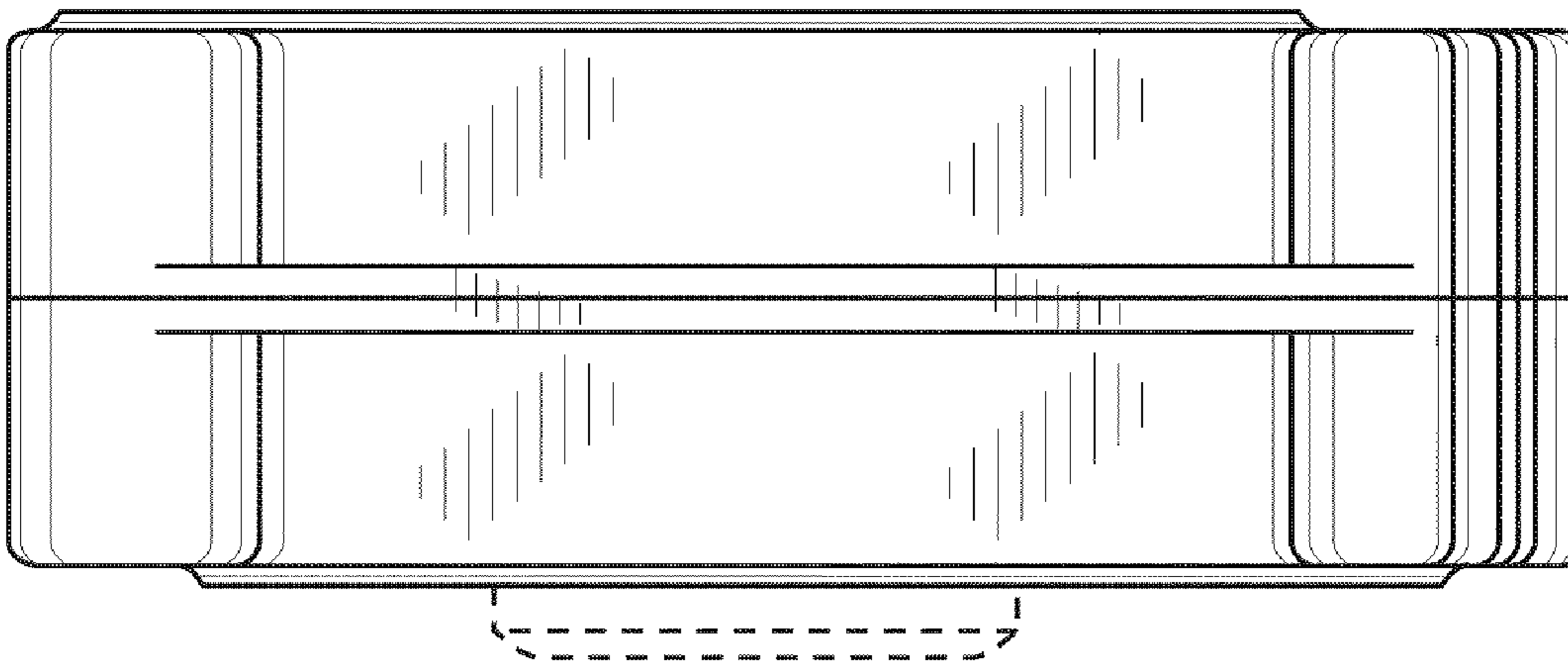


FIG. 8

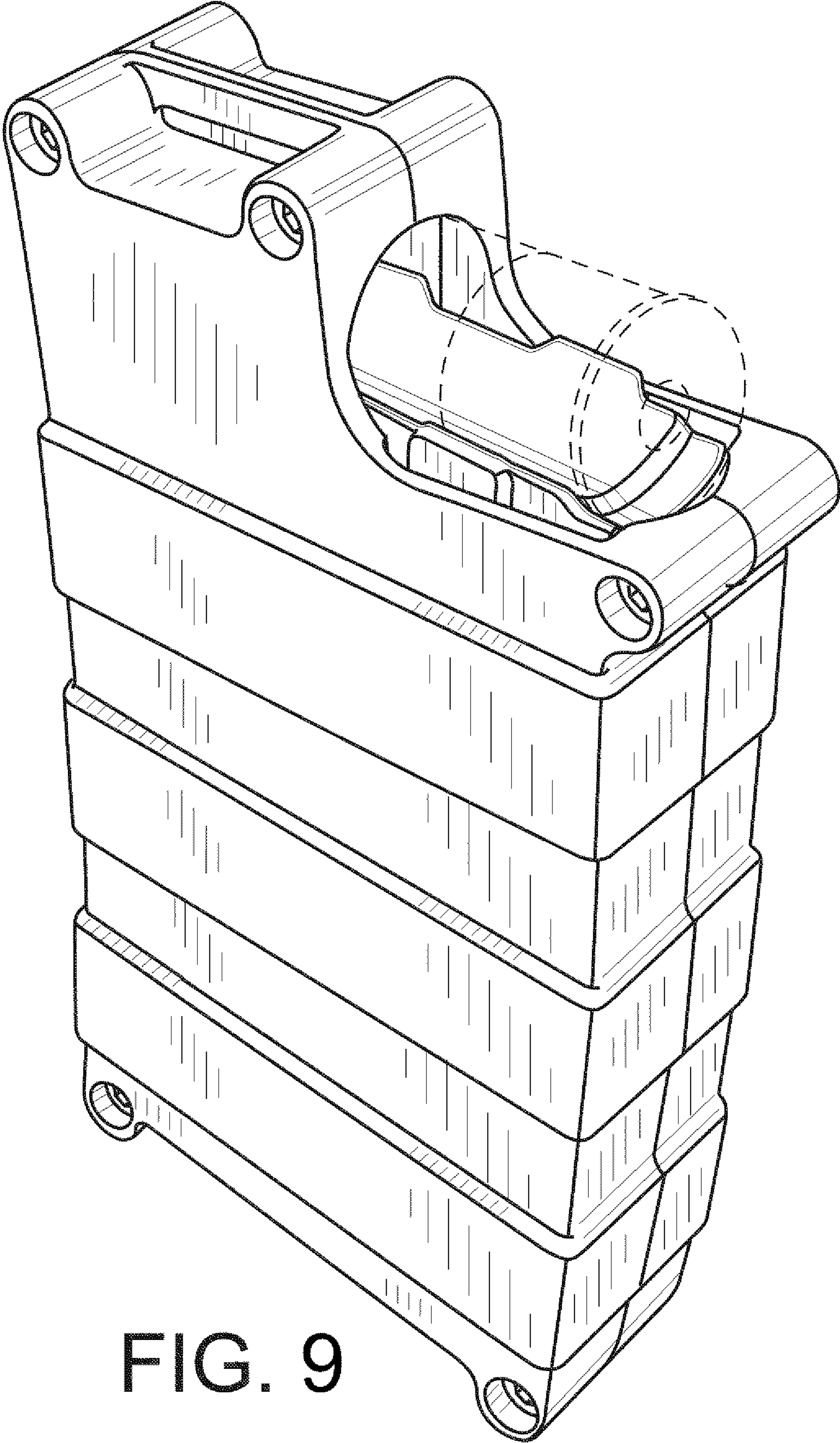


FIG. 9