



US00D644287S

(12) **United States Design Patent**
Holloway et al.

(10) **Patent No.:** **US D644,287 S**

(45) **Date of Patent:** **** Aug. 30, 2011**

(54) **FIN PLUG FOR A SURFCRAFT**
(75) Inventors: **Daniel Holloway**, Coolangatta (AU);
Len Holloway, Coolangatta (AU)
(73) Assignee: **Shapers Pty Ltd**, Currumbin, Gold
Coast, Queensland (AU)

6,079,922 A * 6/2000 Ross et al. 411/180
6,752,674 B2 * 6/2004 Jolly 441/79
D502,522 S * 3/2005 Sperafico D21/771
D542,874 S * 5/2007 Rodier D21/771
D551,958 S * 10/2007 Chen et al. D8/387
2003/0236039 A1 * 12/2003 Banys, Jr. 441/79
* cited by examiner

(**) Term: **14 Years**

Primary Examiner — Zenia Bennett
(74) *Attorney, Agent, or Firm* — Shoemaker and Mattare

(21) Appl. No.: **29/380,375**

(22) Filed: **Dec. 3, 2010**

(57) **CLAIM**
The ornamental design for a fin plug for a surfcraft, as shown
and described.

(30) **Foreign Application Priority Data**

Jun. 11, 2010 (AU) 331720

(51) **LOC (9) Cl.** **21-02**

(52) **U.S. Cl.** **D21/771**

(58) **Field of Classification Search** D21/769–770,
D21/771, 778, 801, 803, 809; 114/253, 345–346;
441/35, 66, 40–42, 129–132; 472/128–129;
D12/5, 6, 316; D15/140; D8/70, 387
See application file for complete search history.

(56) **References Cited**

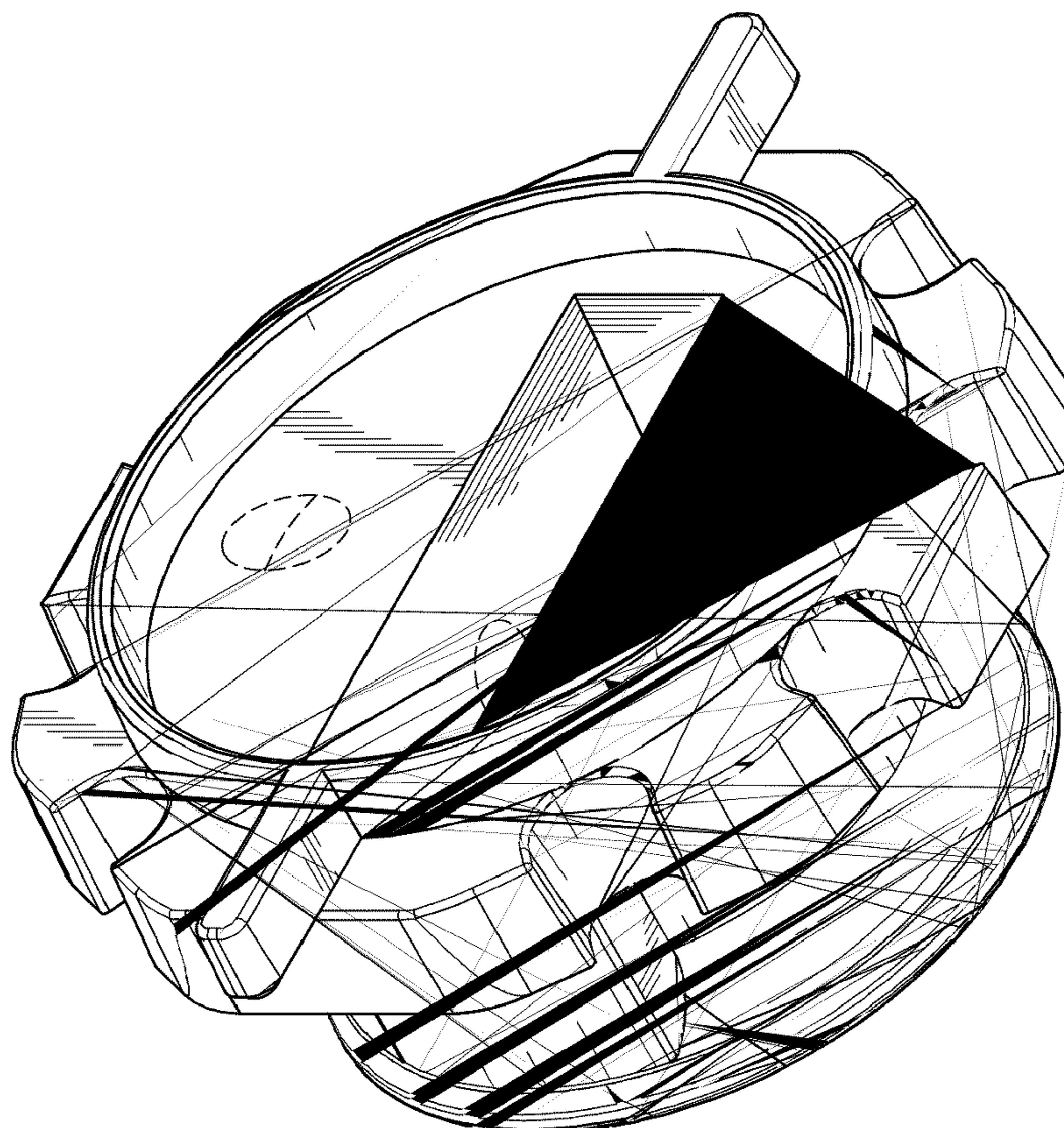
U.S. PATENT DOCUMENTS

5,167,553 A * 12/1992 Wilson 441/75
5,490,805 A * 2/1996 Bredesen 441/75

DESCRIPTION

FIG. 1 is a perspective view of a fin plug for a surfcraft,
showing our new design from above and from one side;
FIG. 2 is a top plan view thereof;
FIG. 3 is a bottom plan view thereof;
FIG. 4 is a front elevational view thereof;
FIG. 5 is a rear elevational view thereof;
FIG. 6 is a left side elevational view thereof; and,
FIG. 7 is a right side elevational view thereof.
The broken lines are for environmental purposes only and
form no part of the claimed design.

1 Claim, 7 Drawing Sheets



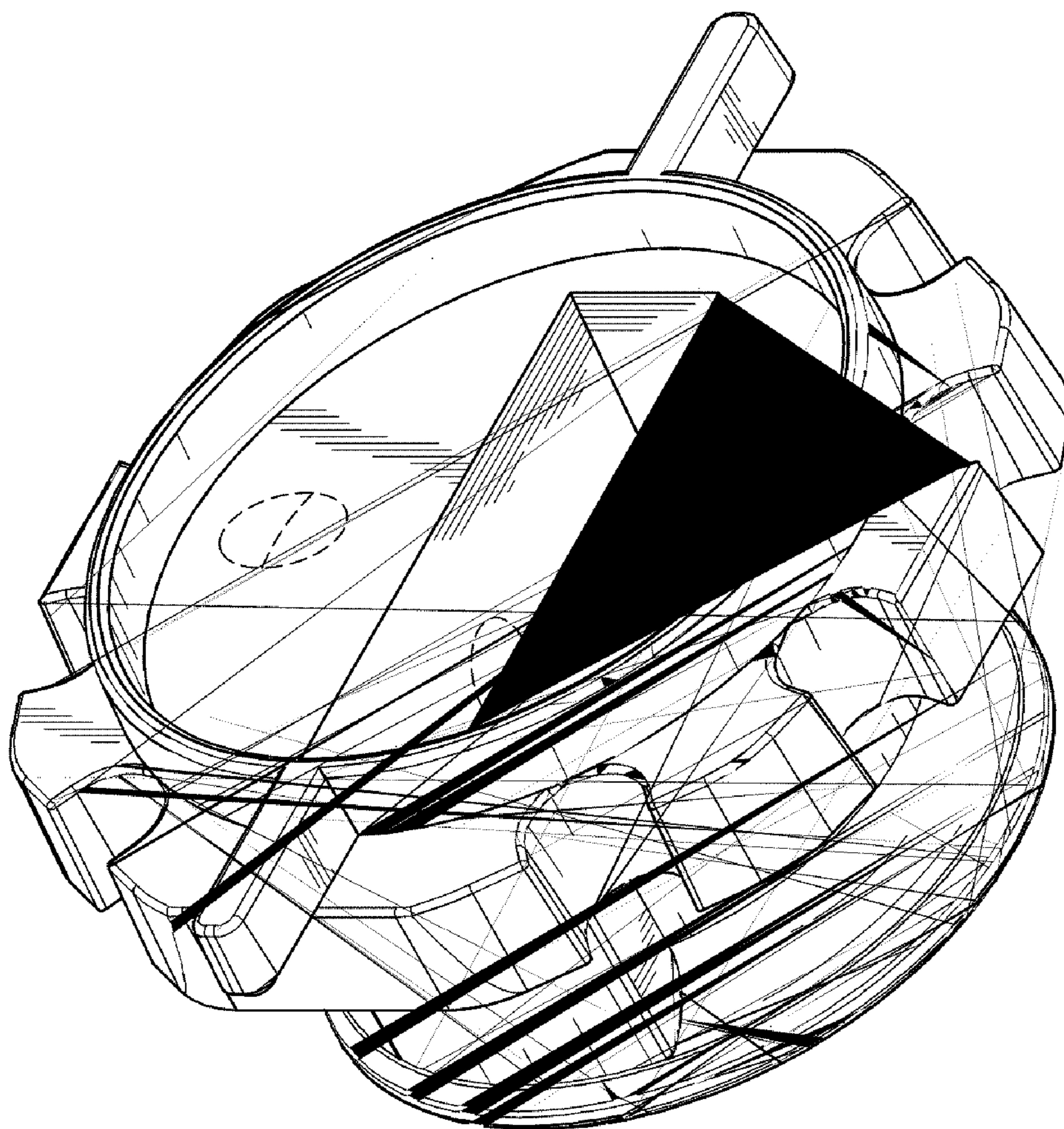


FIG. 1

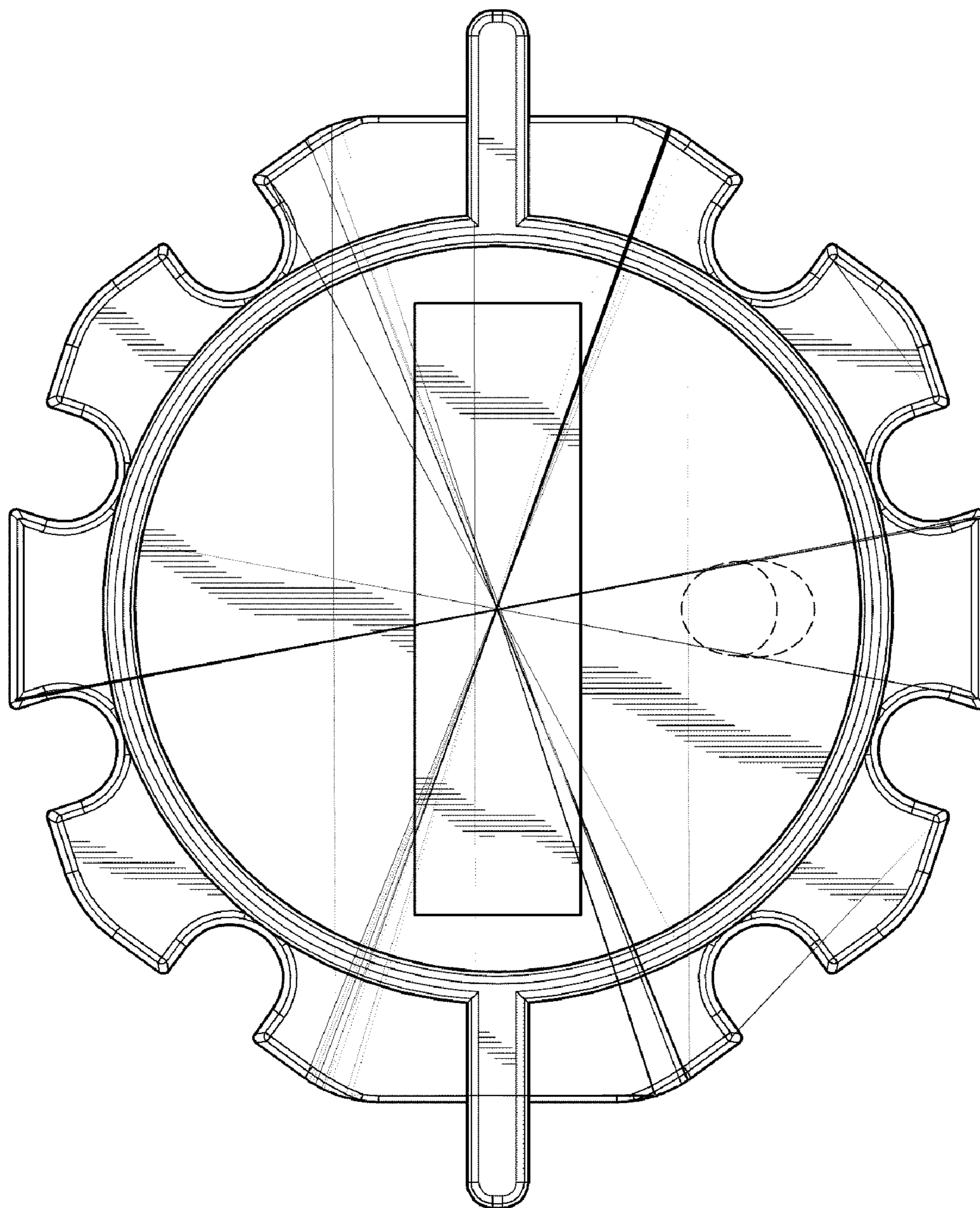


FIG. 2

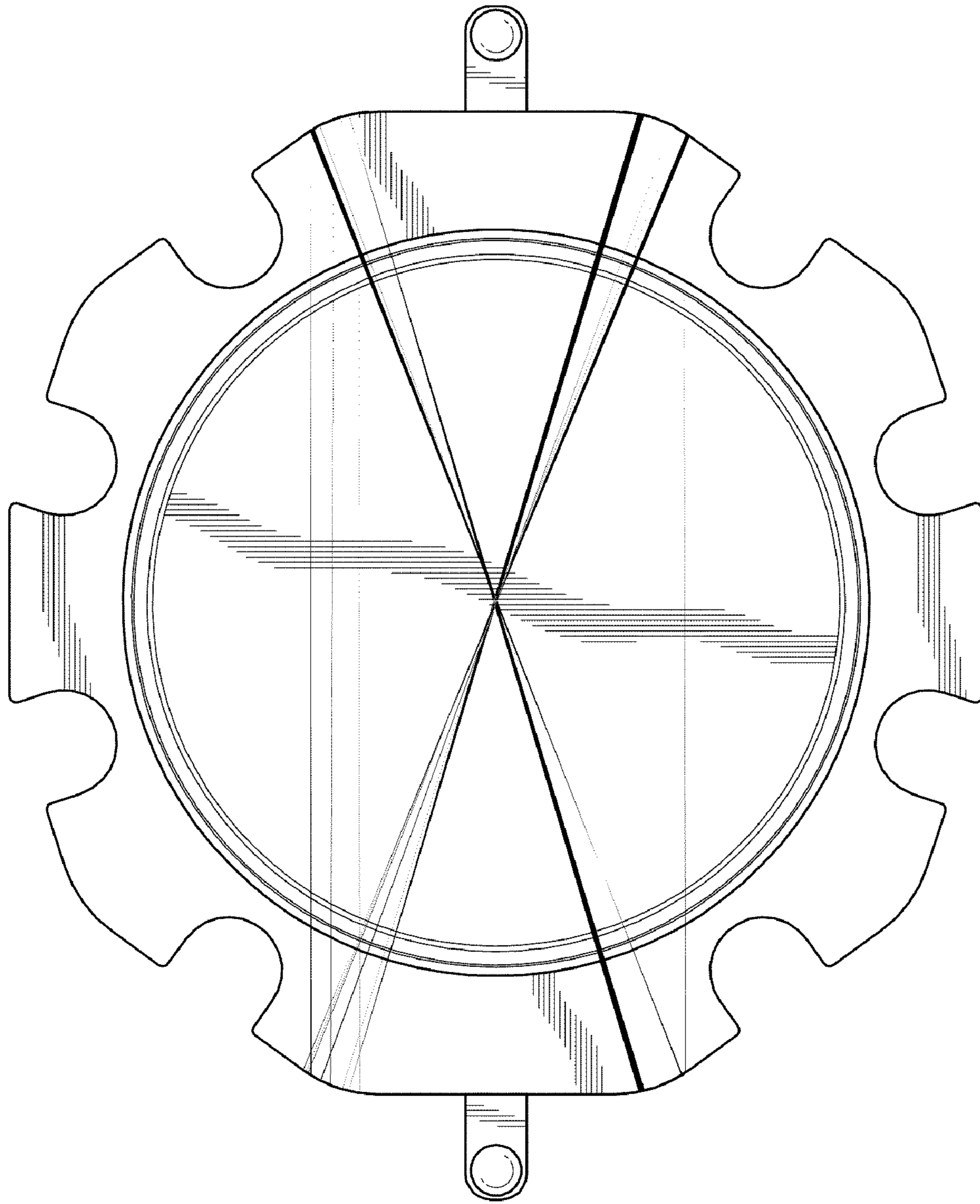


FIG. 3

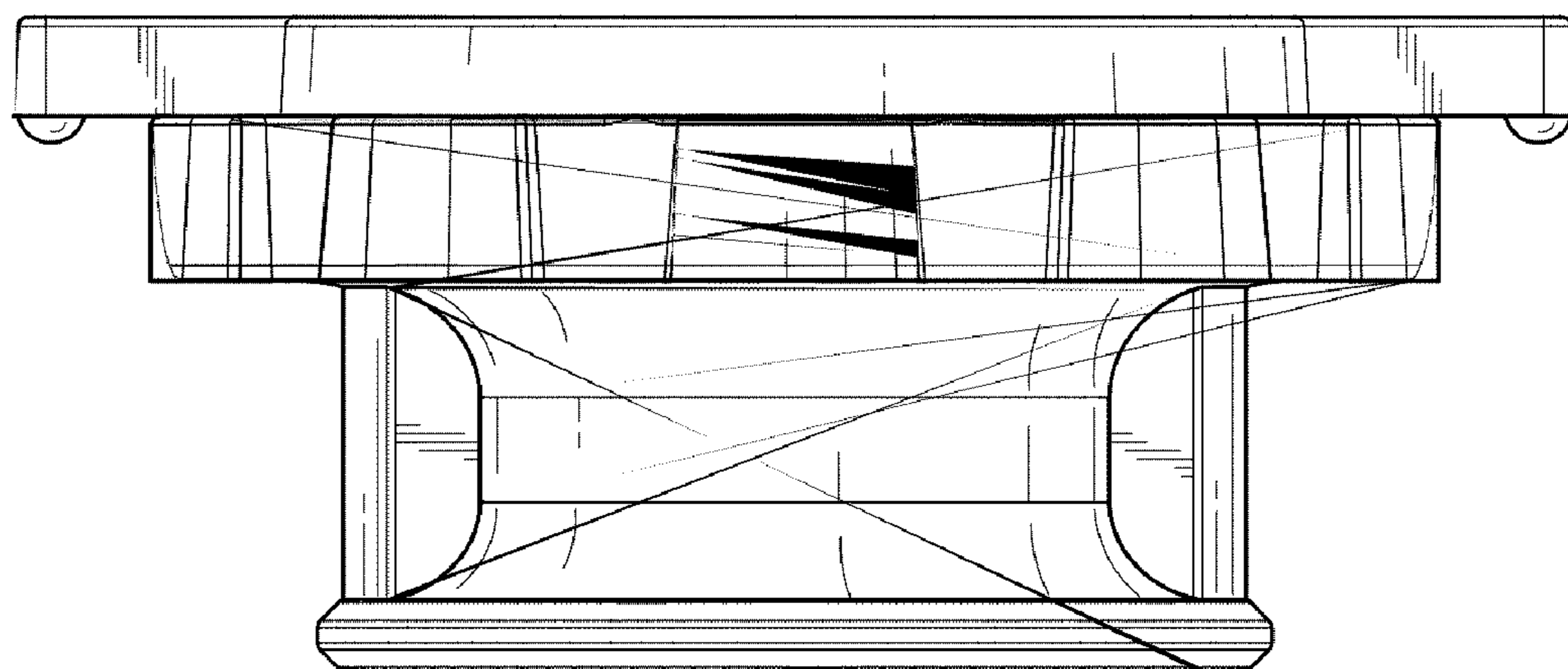


FIG. 4

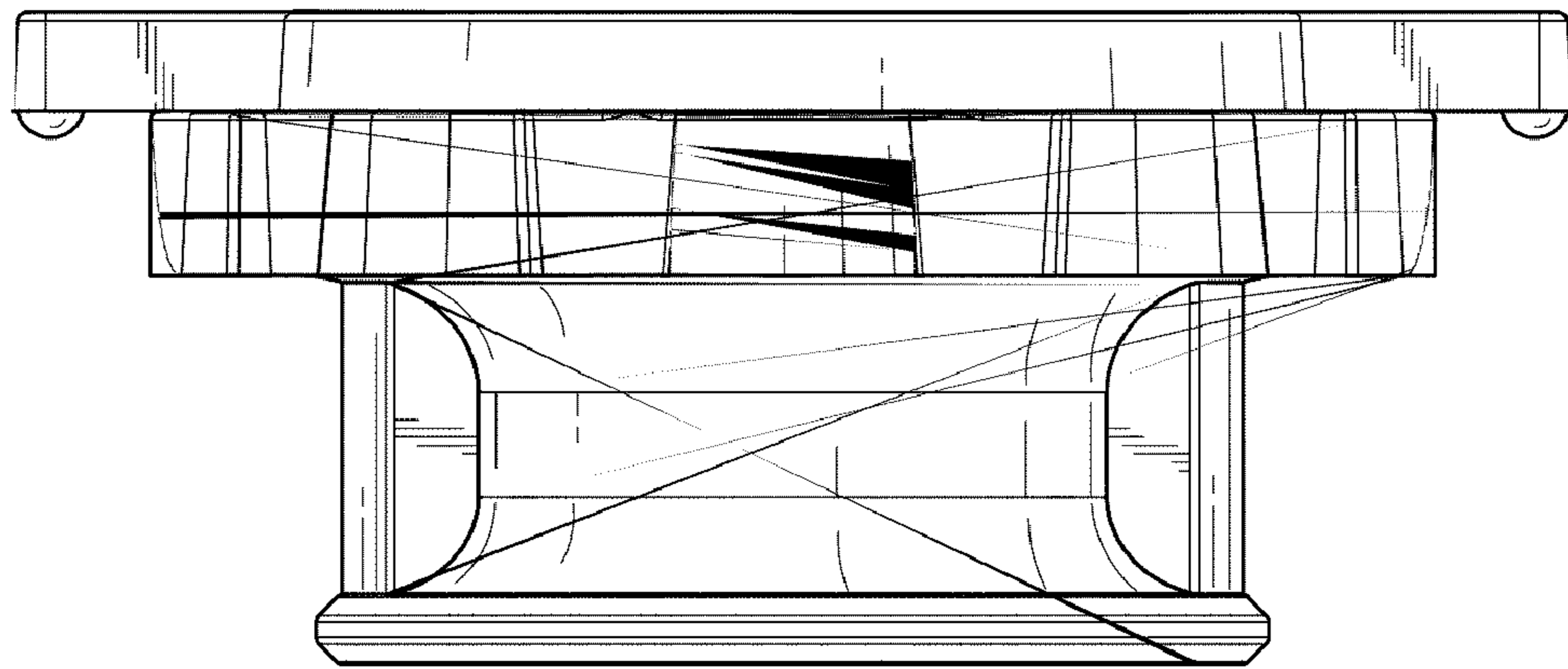


FIG. 5

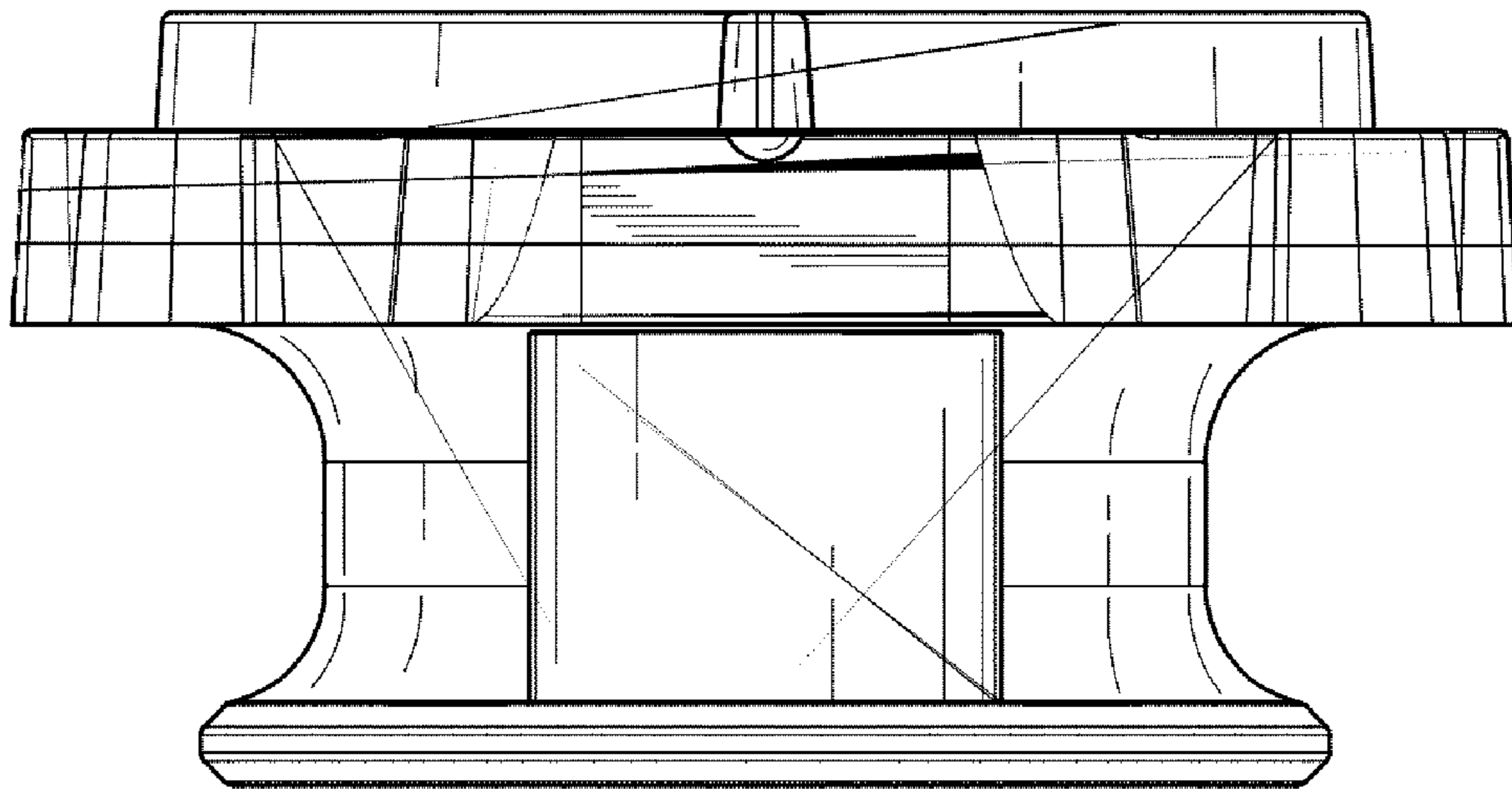


FIG. 6

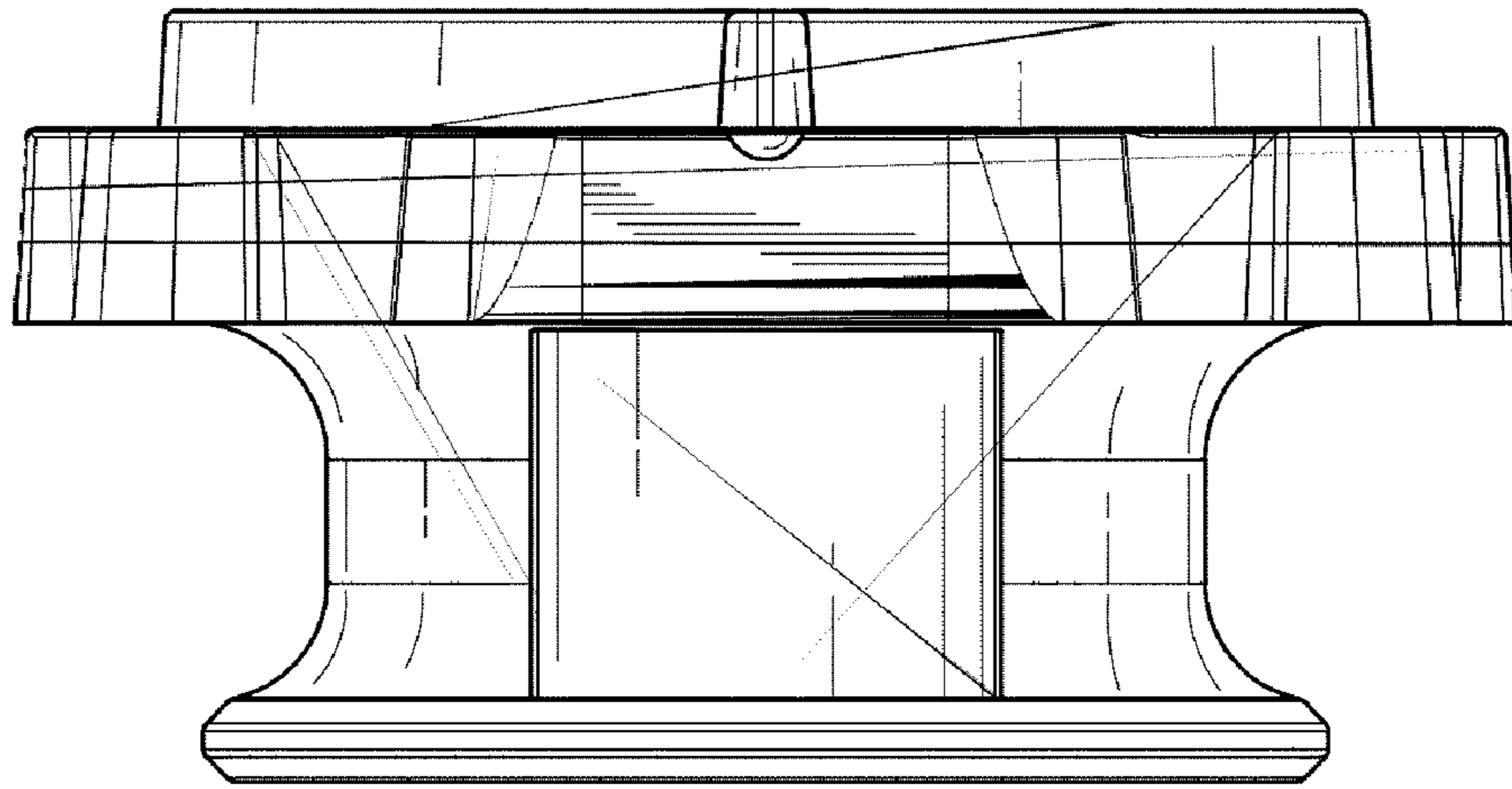


FIG. 7