



US00D644280S

(12) **United States Design Patent**
Marotta

(10) **Patent No.:** **US D644,280 S**

(45) **Date of Patent:** **** Aug. 30, 2011**

(54) **EXERCISE AID**

(76) Inventor: **Melissa Marotta**, Nazareth, PA (US)

(**) Term: **14 Years**

(21) Appl. No.: **29/359,842**

(22) Filed: **Apr. 15, 2010**

(51) **LOC (9) Cl.** **21-02**

(52) **U.S. Cl.** **D21/662**

(58) **Field of Classification Search** D21/662,
D21/684, 692, 694, 698; 482/74, 91, 92,
482/105, 118, 121-125, 131, 139, 148; D30/153;
119/770, 797

See application file for complete search history.

(56) **References Cited**

U.S. PATENT DOCUMENTS

866,495	A *	9/1907	Marks	482/124
3,884,190	A	5/1975	Gurrey	
4,441,707	A *	4/1984	Bosch	482/131
4,728,553	A	3/1988	Daniels	
5,234,395	A *	8/1993	Miller et al.	482/118
5,263,916	A	11/1993	Bobich	
D347,667	S *	6/1994	Giacalone et al.	D21/692
5,340,110	A	8/1994	Mollis	
D350,795	S *	9/1994	Barbour	D21/692
5,362,295	A *	11/1994	Nurge	482/124
5,433,688	A *	7/1995	Davies	482/124
5,518,480	A *	5/1996	Frappier	482/124
5,690,595	A *	11/1997	Quinones	482/124
5,704,586	A	1/1998	Nielsen	
D390,896	S *	2/1998	Stalnaker	D21/662
5,718,189	A	2/1998	Blake	
5,813,955	A *	9/1998	Gutkowski et al.	482/124
D407,866	S	4/1999	Perrulli	
D410,330	S	6/1999	Klein	
5,916,070	A *	6/1999	Donohue	482/74

5,971,668	A	10/1999	Miller	
D454,992	S	3/2002	Yantz	
D455,185	S *	4/2002	Karadimas	D21/692
6,368,256	B1 *	4/2002	Rumbaugh	482/121
6,659,921	B2 *	12/2003	Vernon	482/124
6,837,834	B2 *	1/2005	Basting	482/124
6,840,894	B2 *	1/2005	Lerner	482/124
D518,535	S *	4/2006	Haskell	D21/662
7,402,147	B1	7/2008	Allen	
D593,167	S *	5/2009	Vigilia	D21/662
D606,602	S	12/2009	Marotta	
2007/0275796	A1	11/2007	Carter	

* cited by examiner

Primary Examiner — Susan E Krakower

(74) *Attorney, Agent, or Firm* — QuickPatents, Inc.; Kevin Prince

(57) **CLAIM**

What is claimed is the ornamental design for a exercise aid, as shown and described.

DESCRIPTION

FIG. 1 is a perspective view of a exercise aid, showing the new design;
 FIG. 2 is an alternate perspective view thereof, illustrated in a flat configuration;
 FIG. 3 is a front elevational view thereof;
 FIG. 4 is a rear elevational view thereof;
 FIG. 5 is a left-side elevational view thereof;
 FIG. 6 is a right-side elevational view thereof;
 FIG. 7 is a top plan view thereof; and,
 FIG. 8 is a bottom plan view thereof.

The broken lines showing a person in FIG. 1 illustrate environmental structure which forms no part of the claimed design.

1 Claim, 5 Drawing Sheets



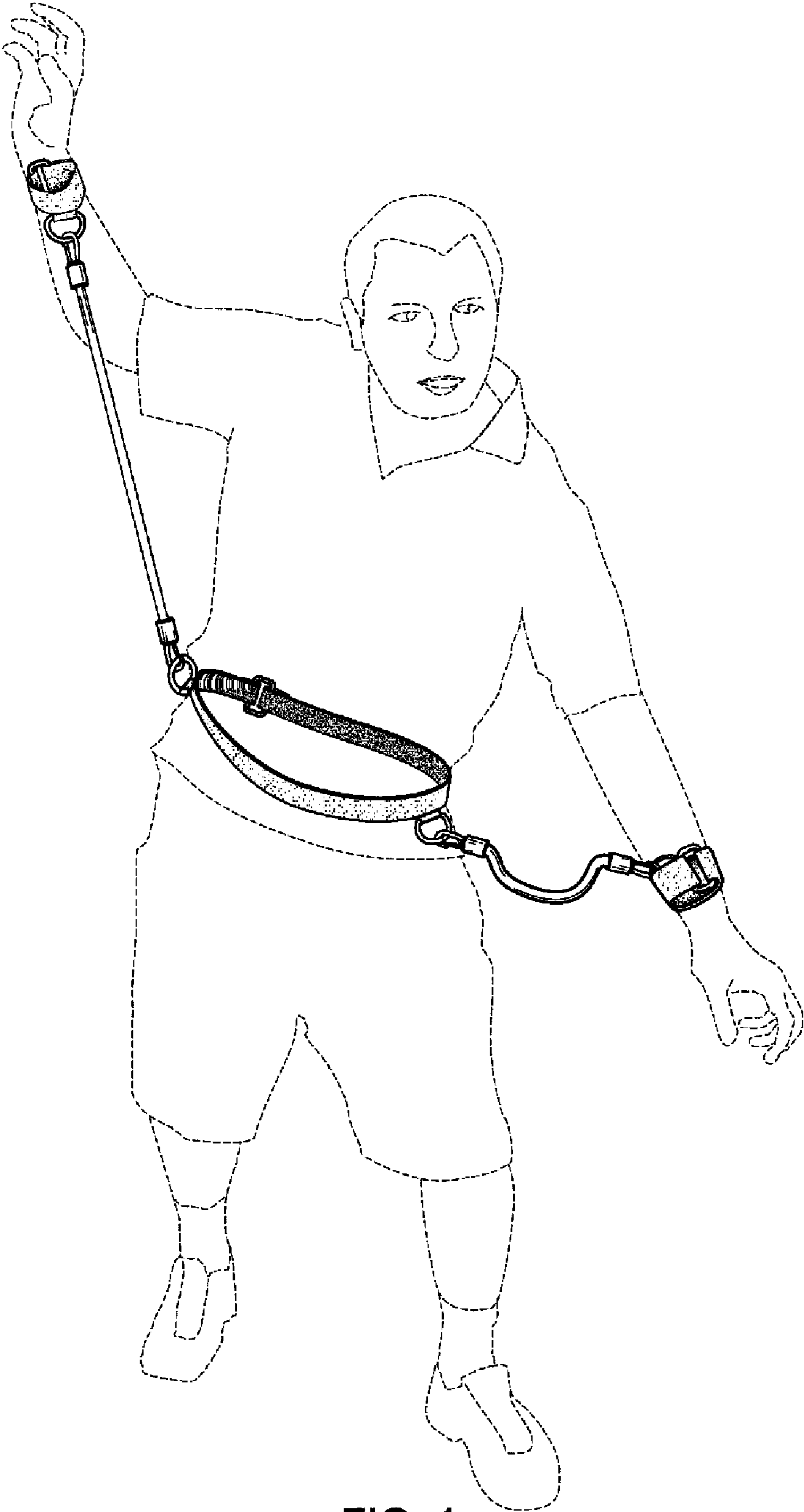


FIG. 1

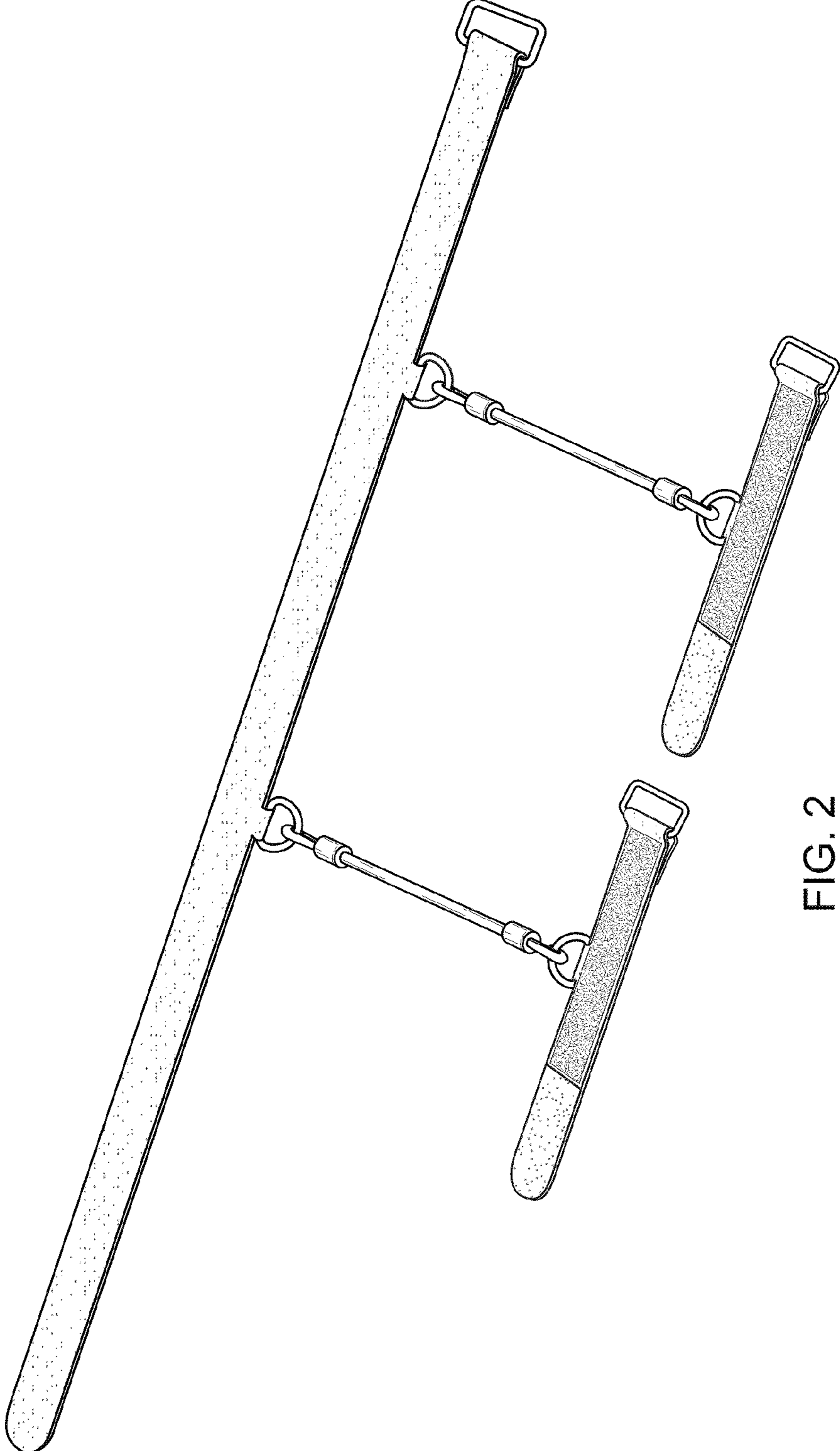


FIG. 2

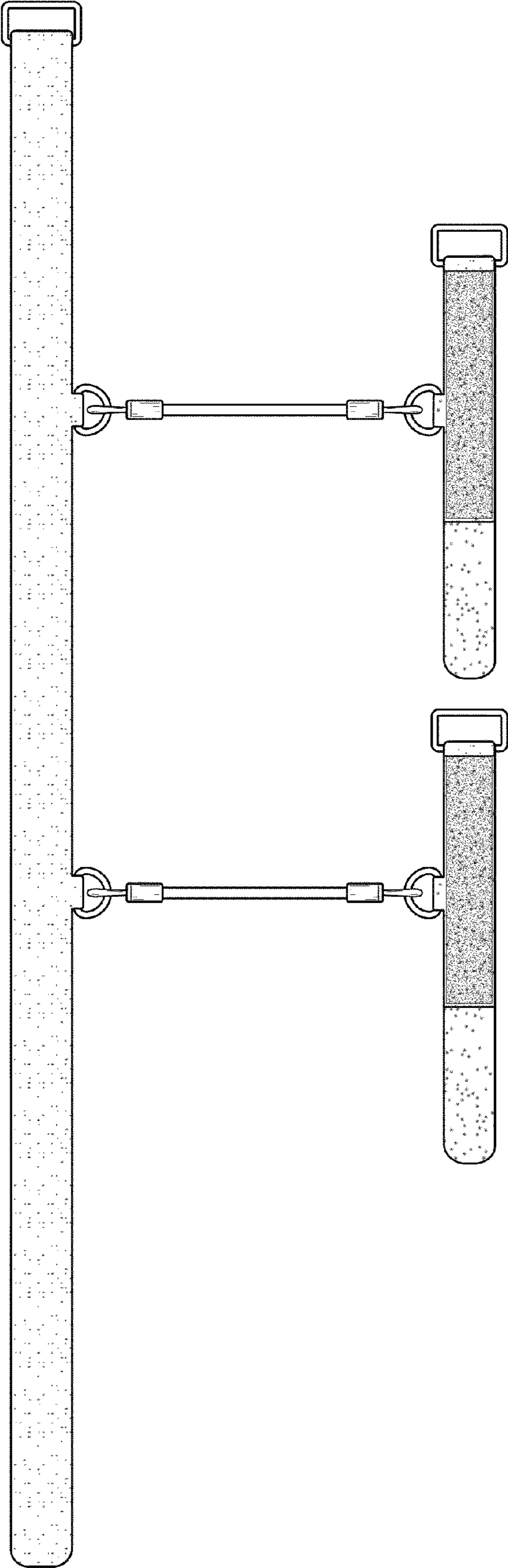


FIG. 3

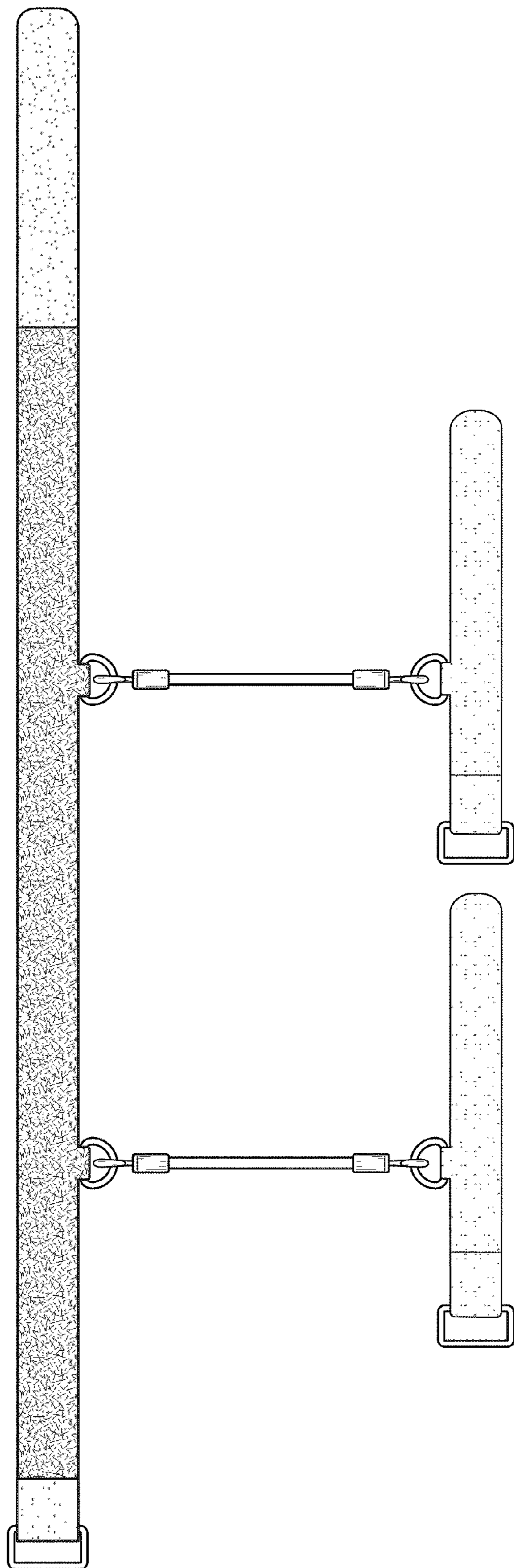


FIG. 4



FIG. 5

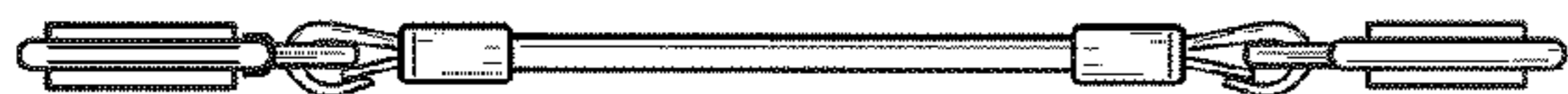


FIG. 6



FIG. 7



FIG. 8