



US00D644272S

(12) **United States Design Patent**
Sullivan

(10) **Patent No.:** **US D644,272 S**

(45) **Date of Patent:** **** Aug. 30, 2011**

(54) **FLYABLE SPHERE**

(76) Inventor: **James Michael Sullivan**, Maryville, TN
(US)

(**) Term: **14 Years**

(21) Appl. No.: **29/363,449**

(22) Filed: **Jun. 9, 2010**

(51) **LOC (9) Cl.** **21-01**

(52) **U.S. Cl.** **D21/436; D21/447**

(58) **Field of Classification Search** D21/436,
D21/441-444, 447-453; 446/34, 36, 61;
D12/328

See application file for complete search history.

(56) **References Cited**

U.S. PATENT DOCUMENTS

D165,524 S	12/1951	Johnson
D168,724 S	2/1953	Anderson
D169,861 S	6/1953	Myser
D190,572 S	6/1961	McDaniel
D194,401 S	1/1963	Tombros
D200,183 S	1/1965	Ordway
3,553,884 A	1/1971	Dunstan
D236,641 S	9/1975	Meffert

D240,251 S	6/1976	Ortiz
D277,301 S	1/1985	Sampson
D294,154 S	2/1988	McDaniel
D298,842 S	12/1988	Newnham
D310,853 S	9/1990	Kupperman
D347,032 S	5/1994	Nieder
D543,248 S	5/2007	Winston
D576,216 S	9/2008	Van de Rostyne
D591,363 S	4/2009	Lorbek

Primary Examiner — Sandra Morris

(74) *Attorney, Agent, or Firm* — QuickPatents, Inc.; Kevin Prince

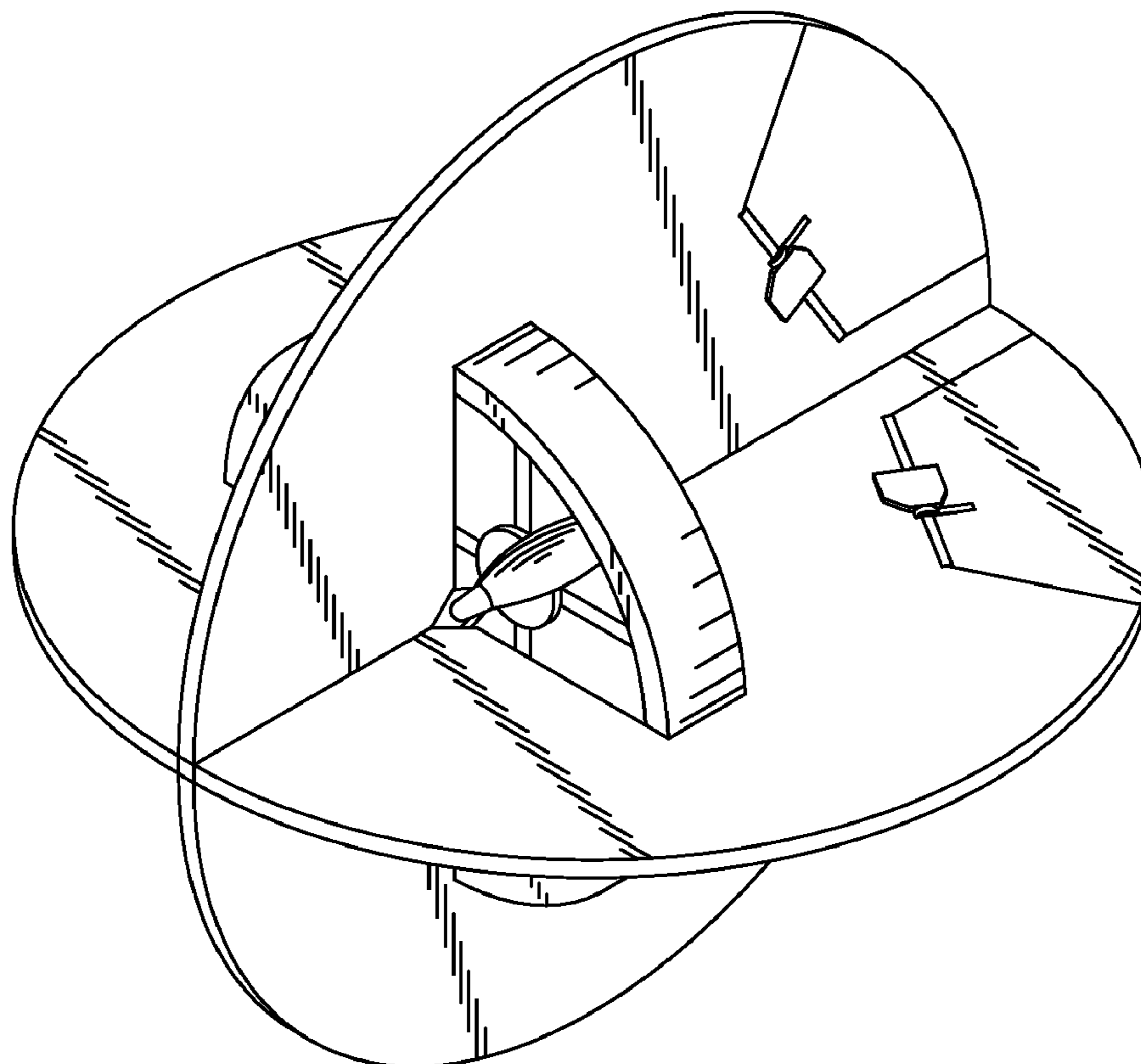
(57) **CLAIM**

What is claimed is the ornamental design for a flyable sphere, as shown and described.

DESCRIPTION

FIG. 1 is a perspective view of a flyable sphere, showing the new design;
 FIG. 2 is a front elevational view thereof;
 FIG. 3 is a rear elevational view thereof
 FIG. 4 is a right-side elevational view thereof, the left-side elevational view being a mirror image thereof; and,
 FIG. 5 is a top plan view thereof, the bottom plan view being a mirror image thereof.

1 Claim, 2 Drawing Sheets



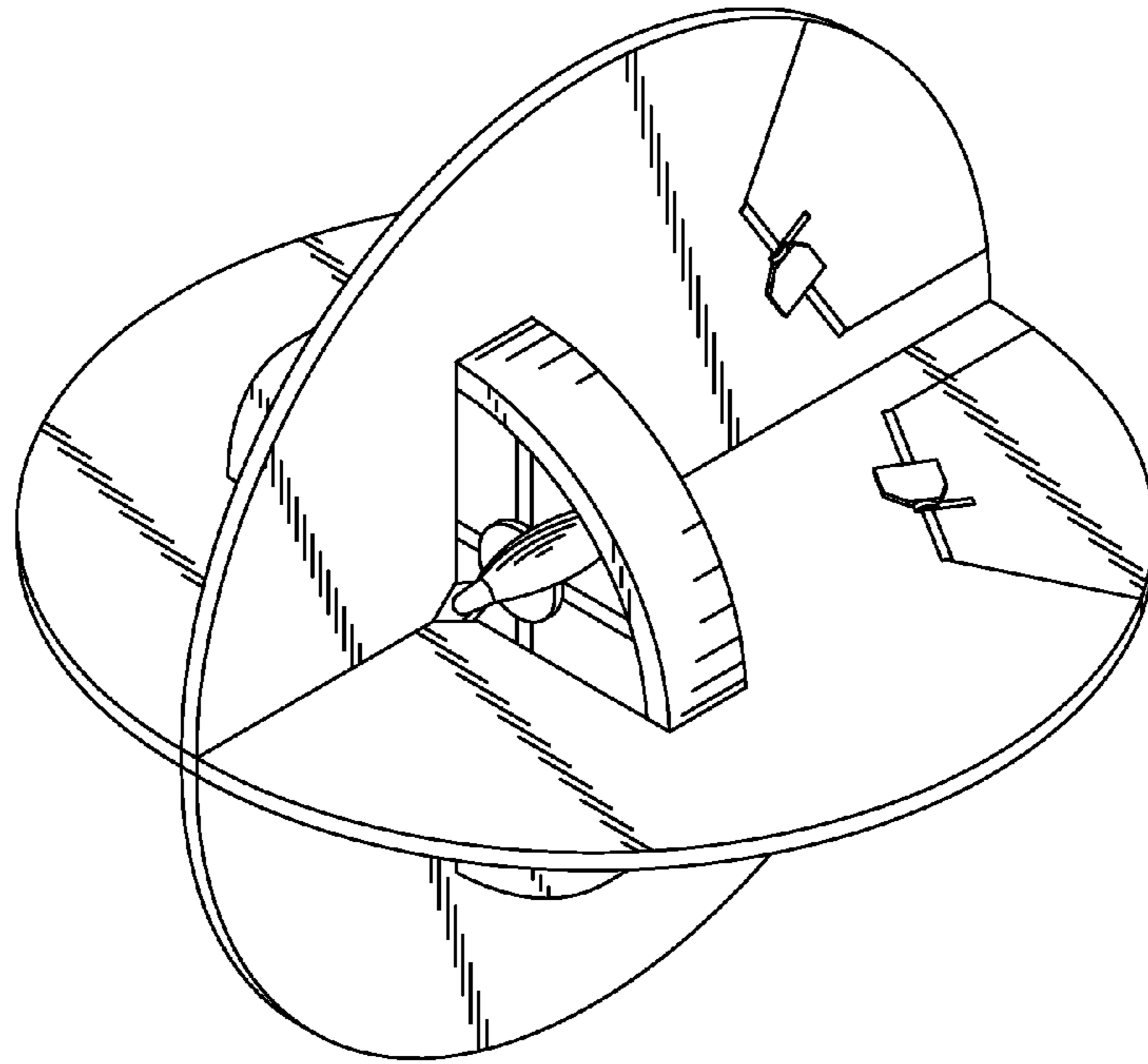


FIG. 1

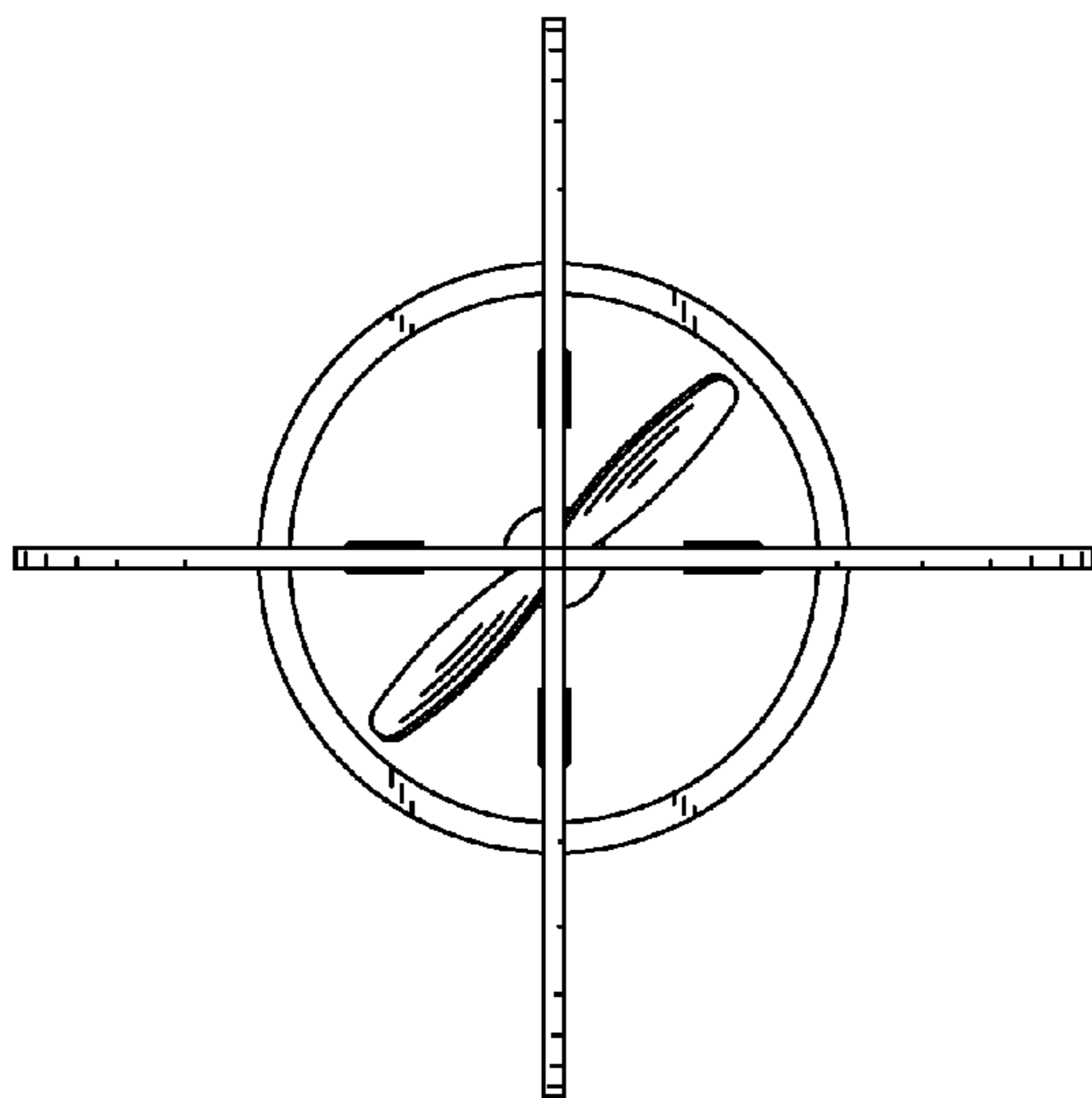


FIG. 2

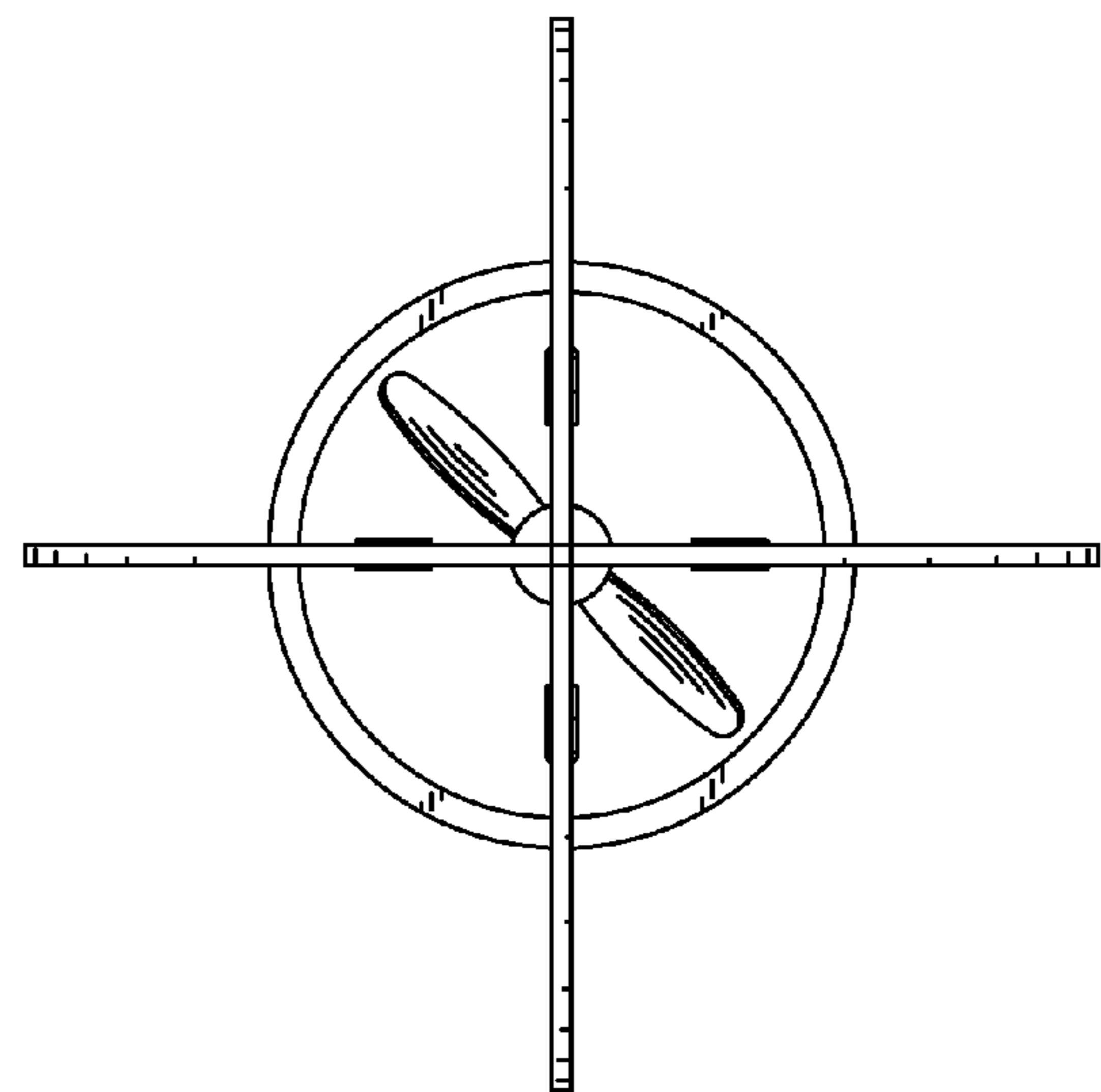


FIG. 3

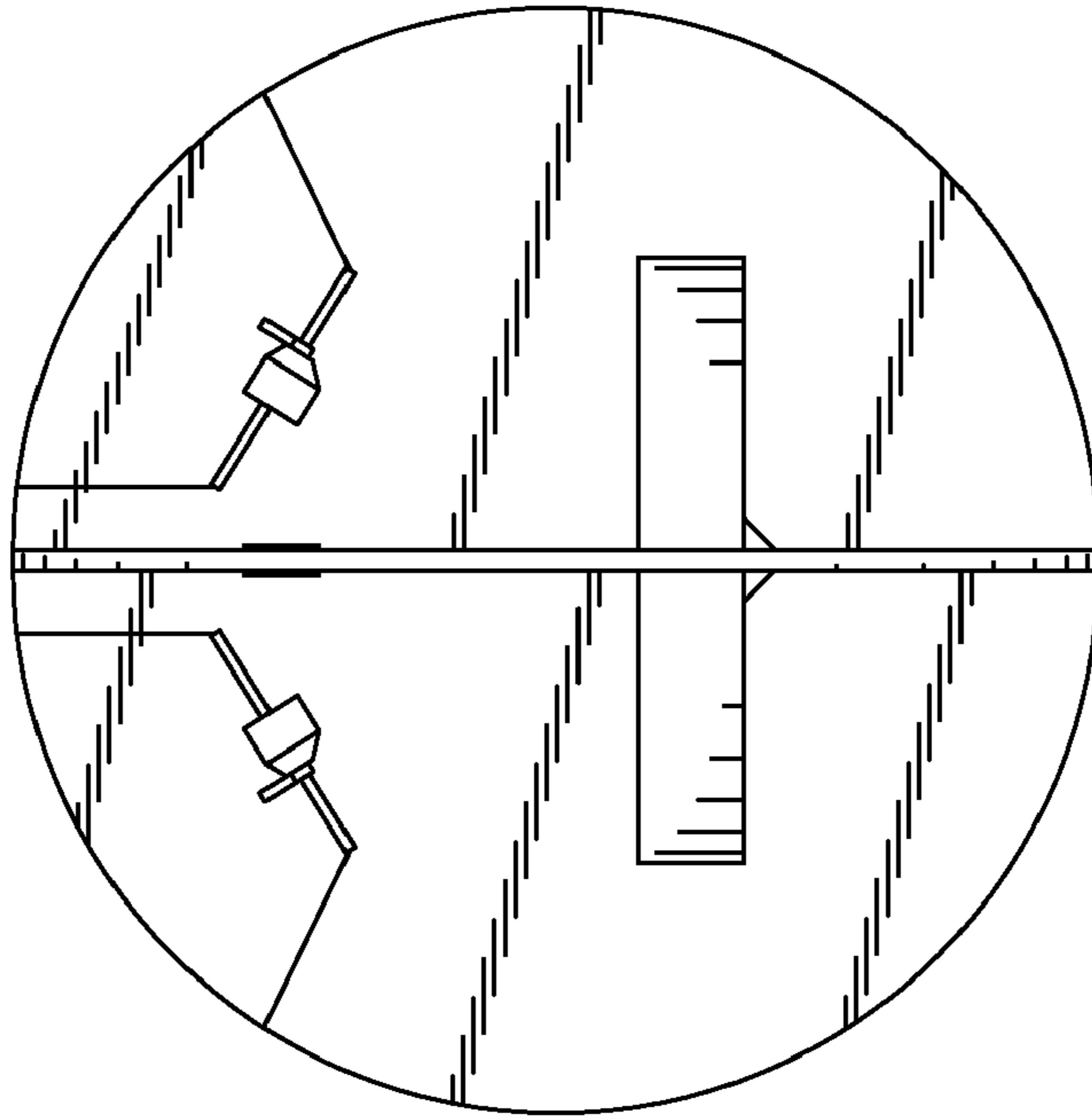


FIG. 4

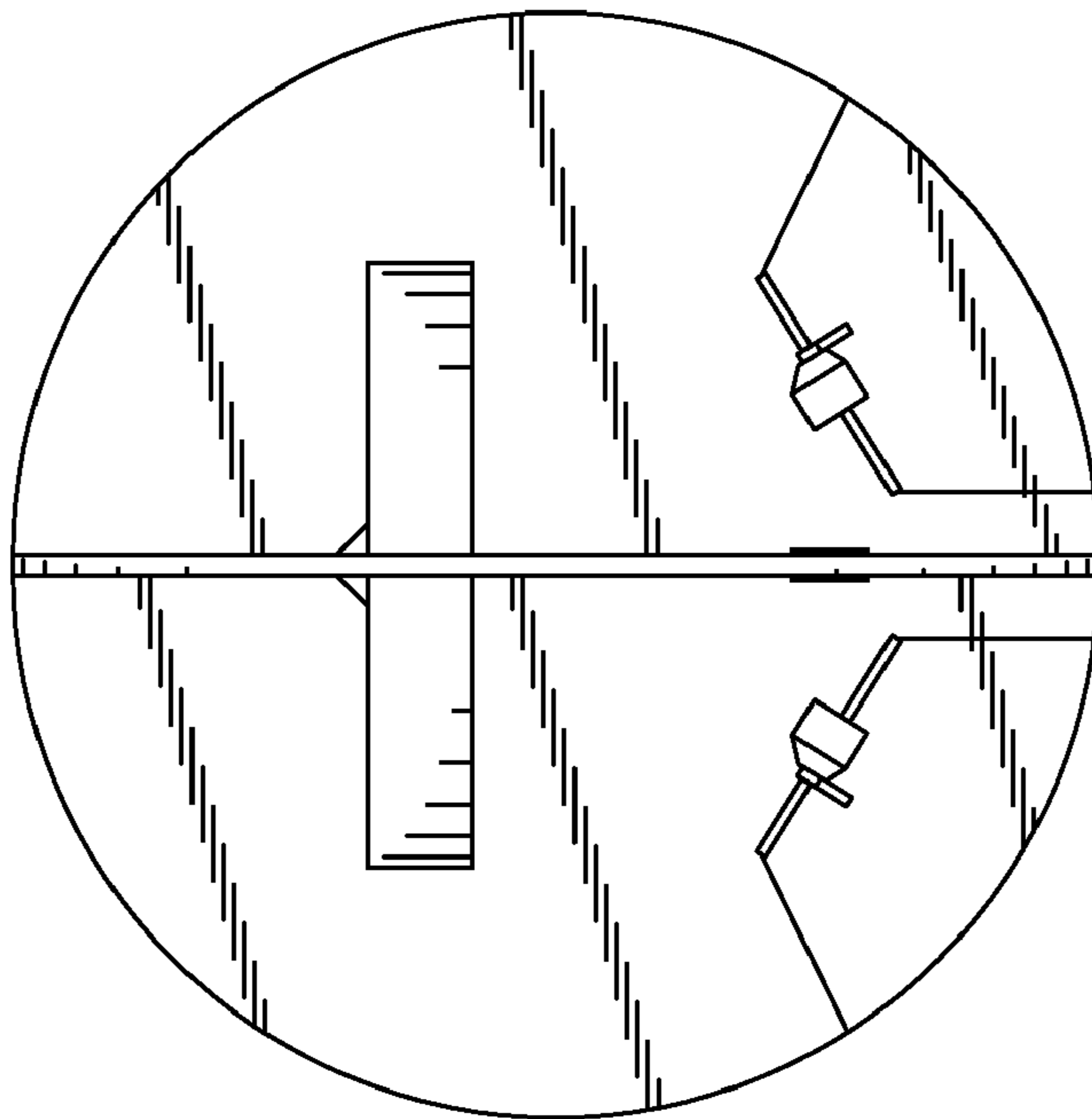


FIG. 5