



US00D644264S

(12) **United States Design Patent**
Hashimoto et al.

(10) **Patent No.:** **US D644,264 S**

(45) **Date of Patent:** **** Aug. 30, 2011**

(54) **IMAGE FORMING APPARATUS**

(75) Inventors: **Takeshi Hashimoto**, Okazaki (JP);
Yasuaki Tomoda, Toyohashi (JP);
Masashi Kawai, Toyohashi (JP)

(73) Assignee: **Konica Minolta Business Technologies, Inc.**, Chiyoda-Ku, Tokyo (JP)

(**) Term: **14 Years**

(21) Appl. No.: **29/365,499**

(22) Filed: **Jul. 9, 2010**

(30) **Foreign Application Priority Data**

Jan. 20, 2010 (JP) 2010-001219

(51) **LOC (9) Cl.** **16-03**

(52) **U.S. Cl.** **D18/43**

(58) **Field of Classification Search** D14/471;
D18/12, 36, 40, 43, 44, 56; 222/DIG. 1;
347/197, 222; 399/24-28, 107-112, 119,
399/121, 122, 222-224

See application file for complete search history.

(56) **References Cited**

U.S. PATENT DOCUMENTS

D448,042 S * 9/2001 Hale et al. D18/43
D468,763 S * 1/2003 Kunihiro et al. D18/40
D534,576 S * 1/2007 Hashimoto et al. D18/43
D553,183 S 10/2007 Hashimoto et al.
D567,282 S * 4/2008 Yamamoto et al. D18/43
D569,900 S * 5/2008 Yamamoto et al. D18/43

D581,974 S 12/2008 Mekada et al.
D594,507 S * 6/2009 Kinoshita et al. D18/43
D597,592 S * 8/2009 Kim D18/43
D599,846 S * 9/2009 Yasui et al. D18/43
D599,847 S * 9/2009 Yasui et al. D18/43
2007/0196136 A1 * 8/2007 Yamamoto et al. 399/258
2010/0329731 A1 * 12/2010 Naoi et al. 399/111

* cited by examiner

Primary Examiner — Garth Rademaker

(74) *Attorney, Agent, or Firm* — Buchanan Ingersoll & Rooney PC

(57) **CLAIM**

The ornamental design for an image forming apparatus, as shown and described.

DESCRIPTION

FIG. 1 is a front view of an image forming apparatus showing our new design;

FIG. 2 is a rear view thereof;

FIG. 3 is a top plan view thereof;

FIG. 4 is a bottom plan view thereof;

FIG. 5 is a right side view thereof;

FIG. 6 is a left side view thereof;

FIG. 7 is a front, top, left side perspective view thereof;

FIG. 8 is a back, top, right side perspective view thereof;

FIG. 9 is a front, bottom, right side perspective view thereof;

and,

FIG. 10 is a back, bottom, left side perspective view thereof.

The broken lines depict environmental subject matter only and form no part of the claimed design.

1 Claim, 6 Drawing Sheets

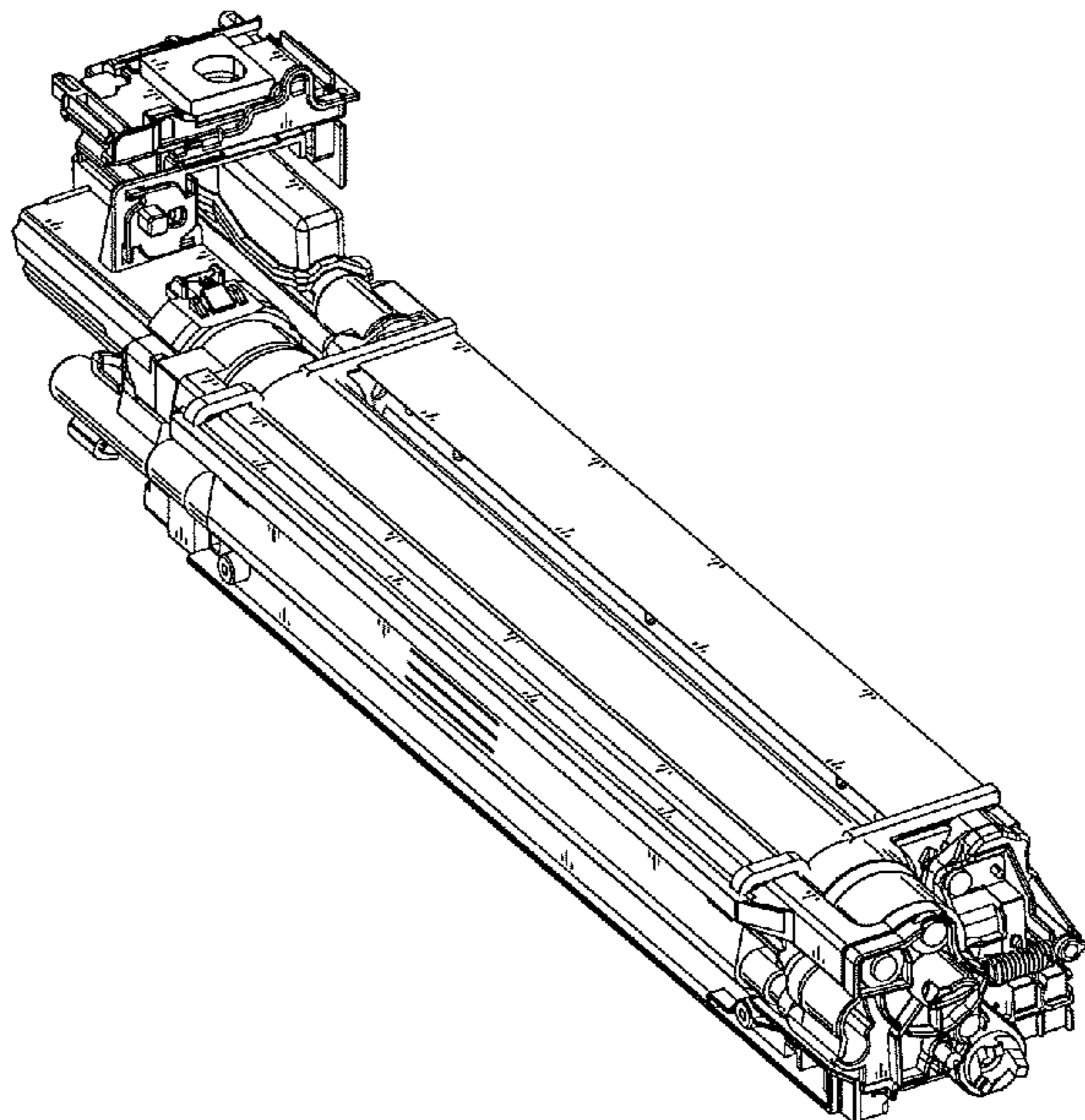
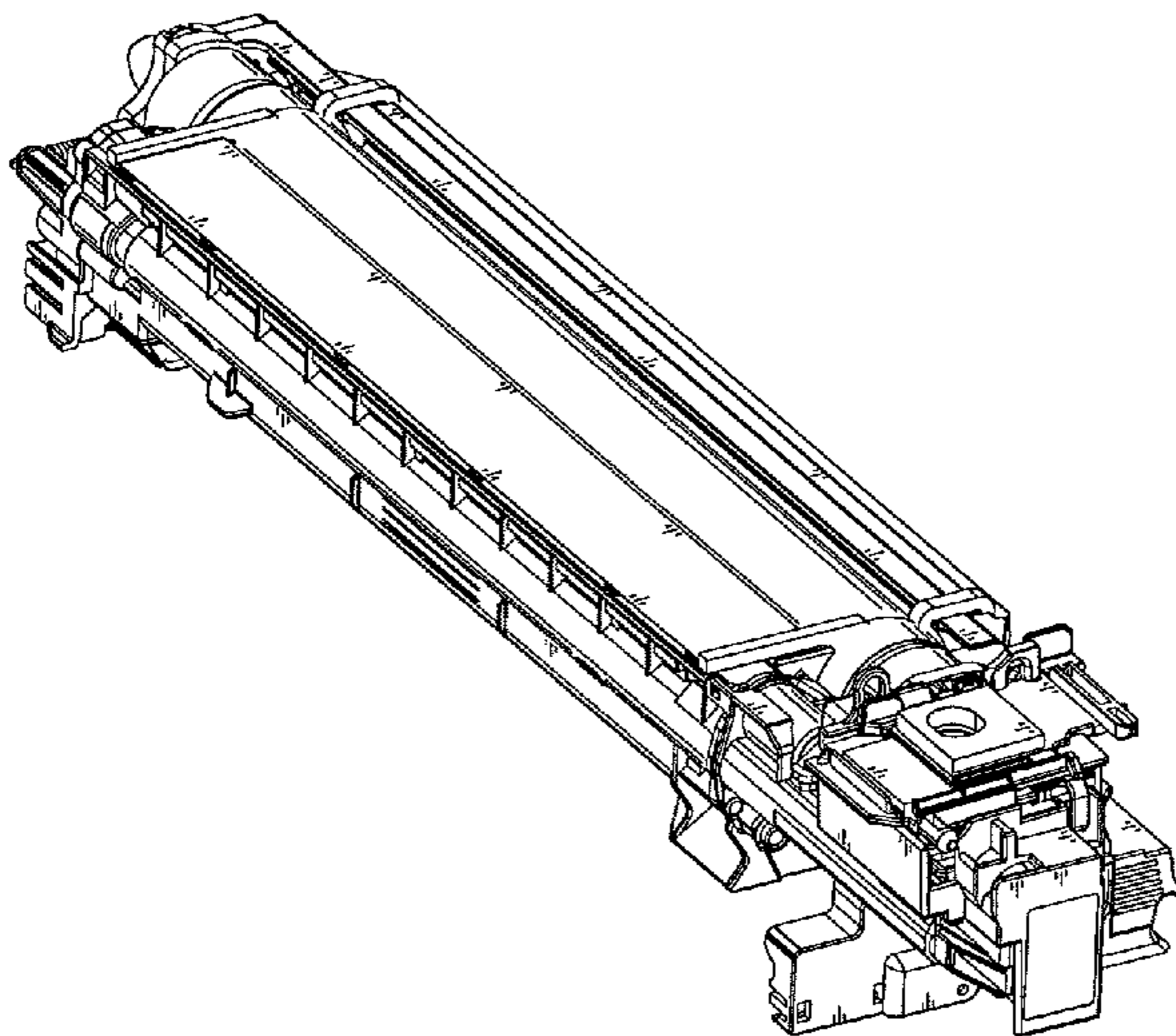


FIG.1

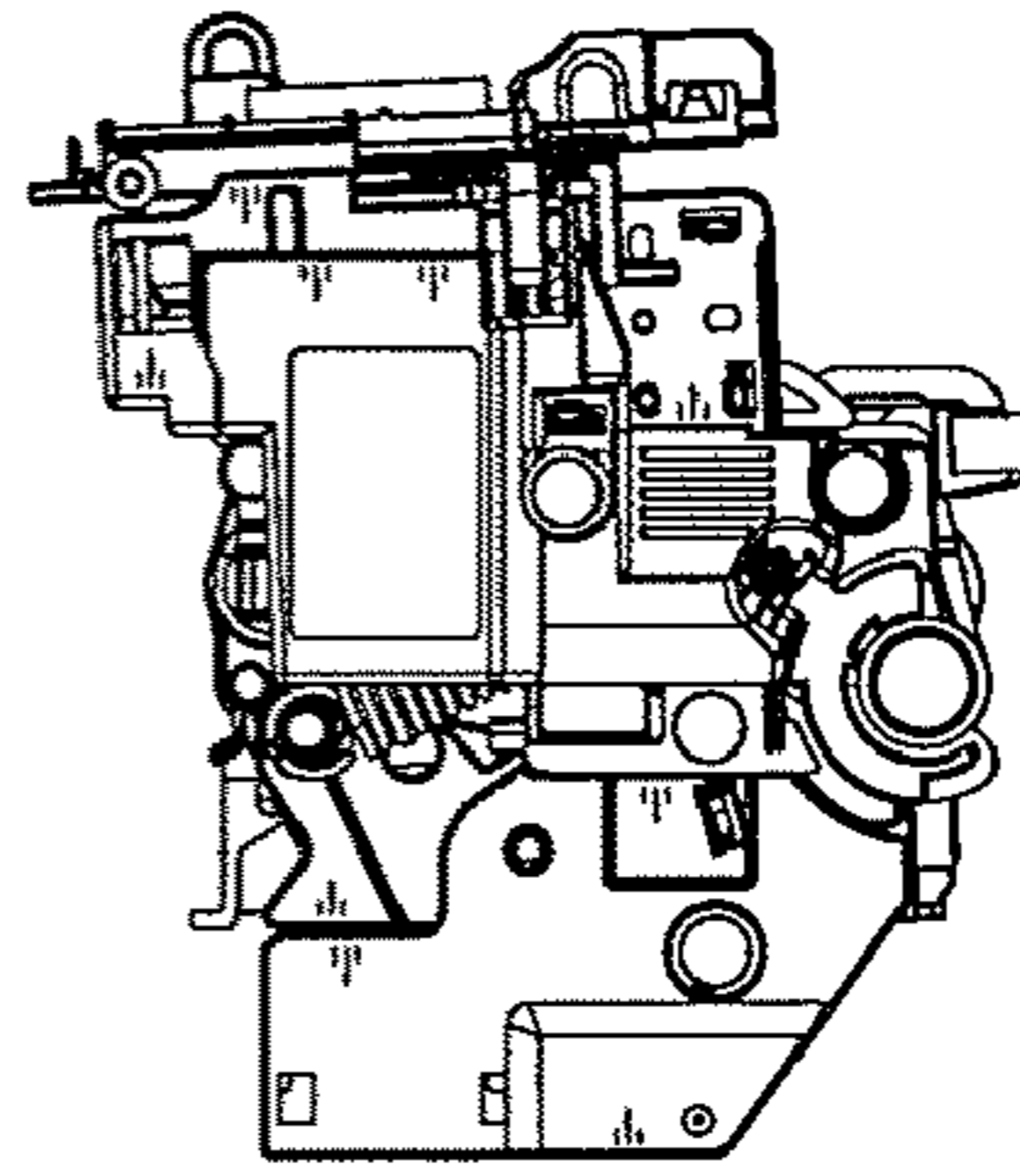


FIG.2

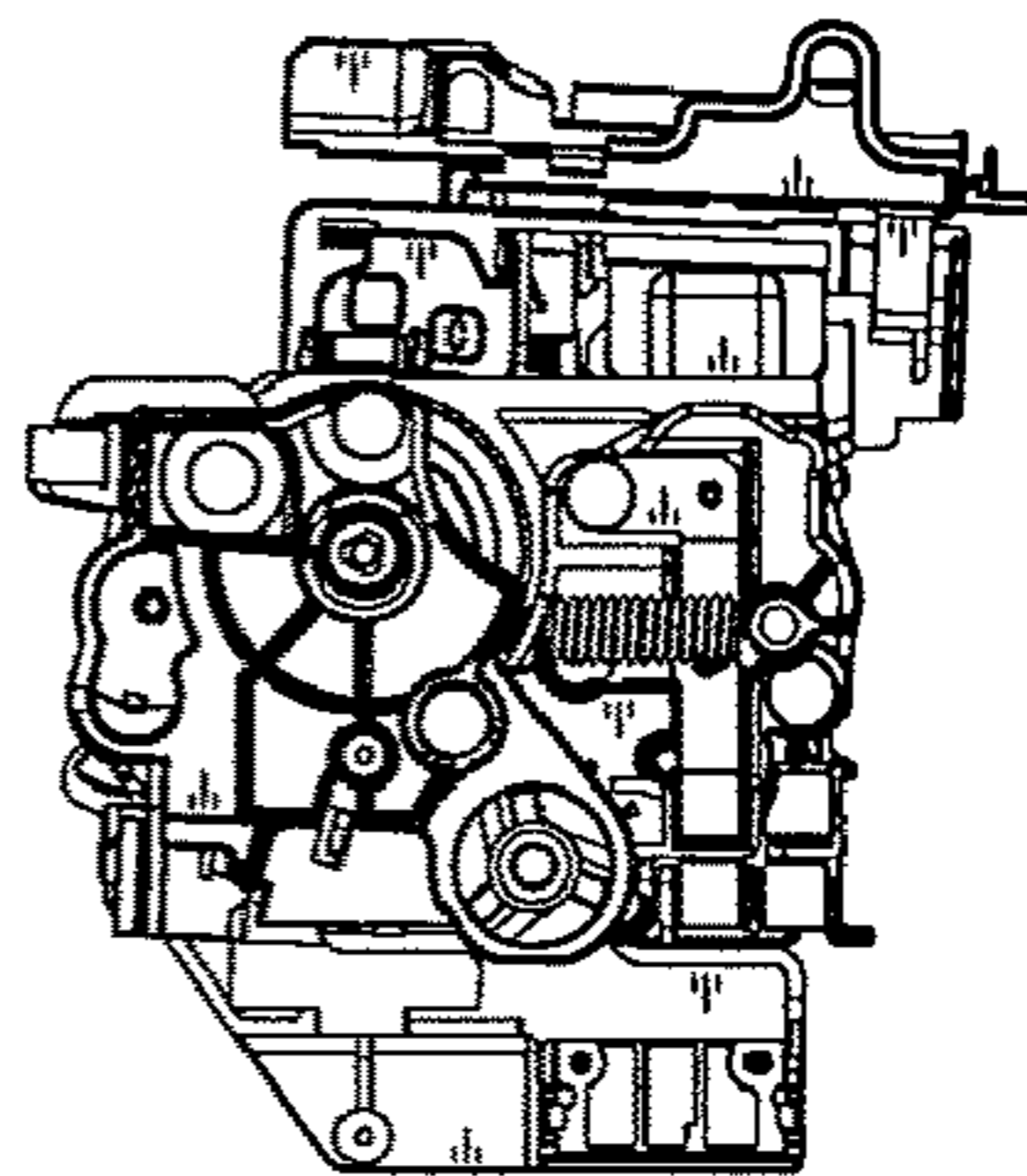


FIG. 3

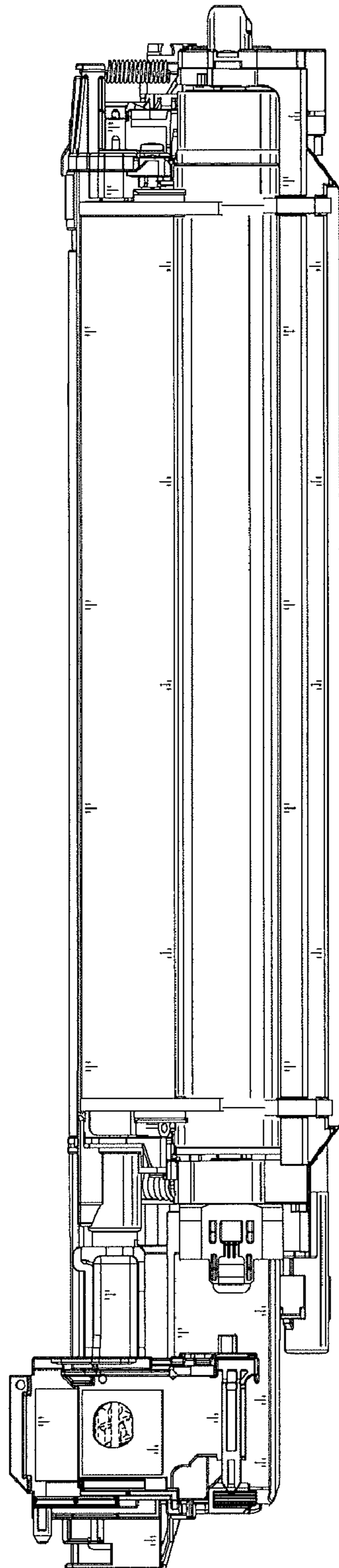


FIG.4

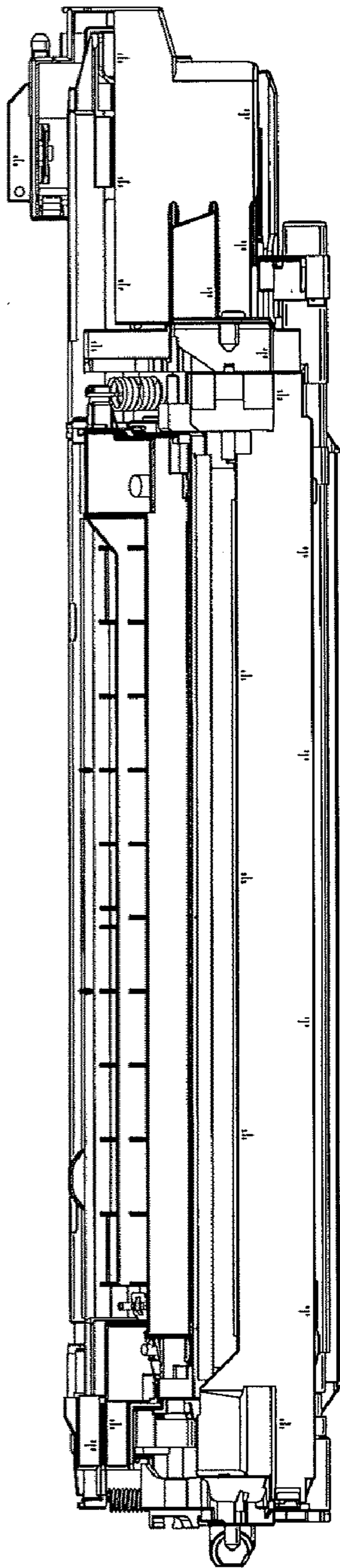


FIG.5

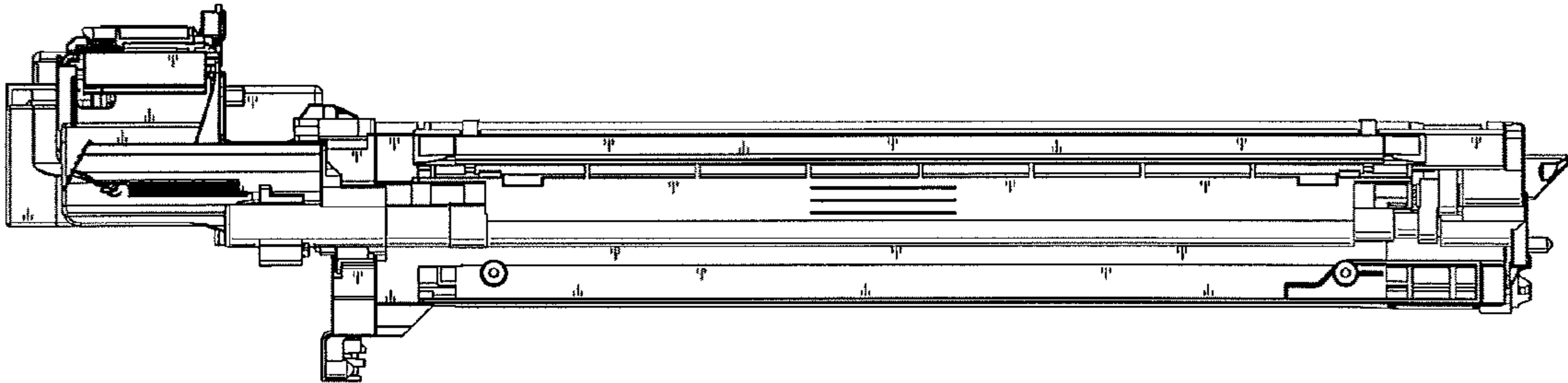


FIG.6

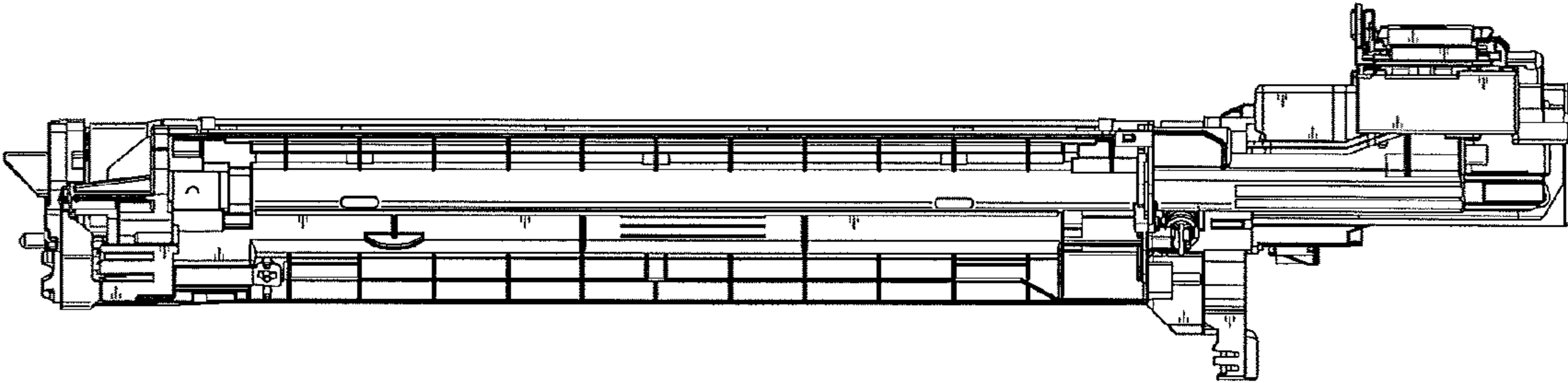


FIG.7

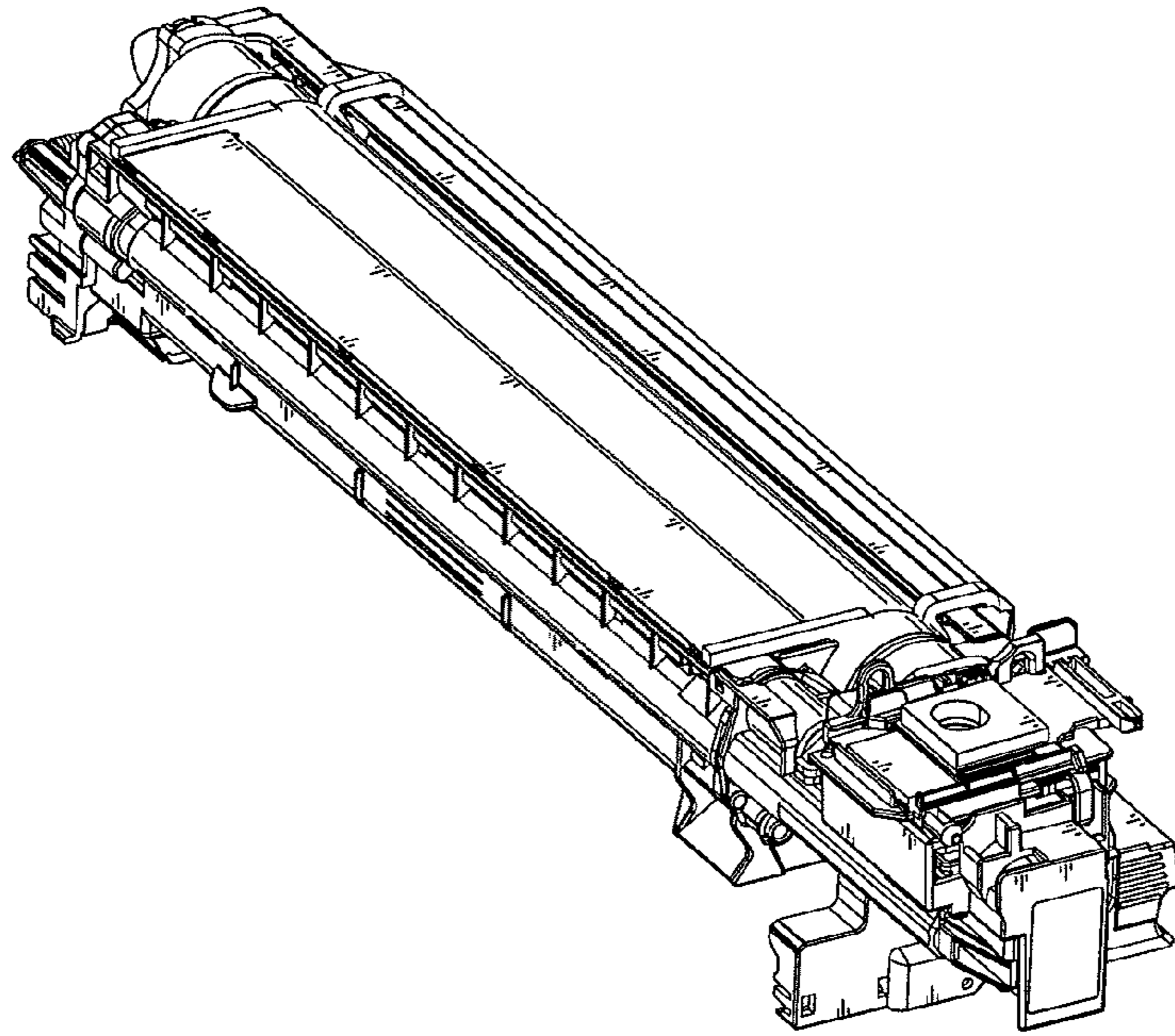


FIG.8

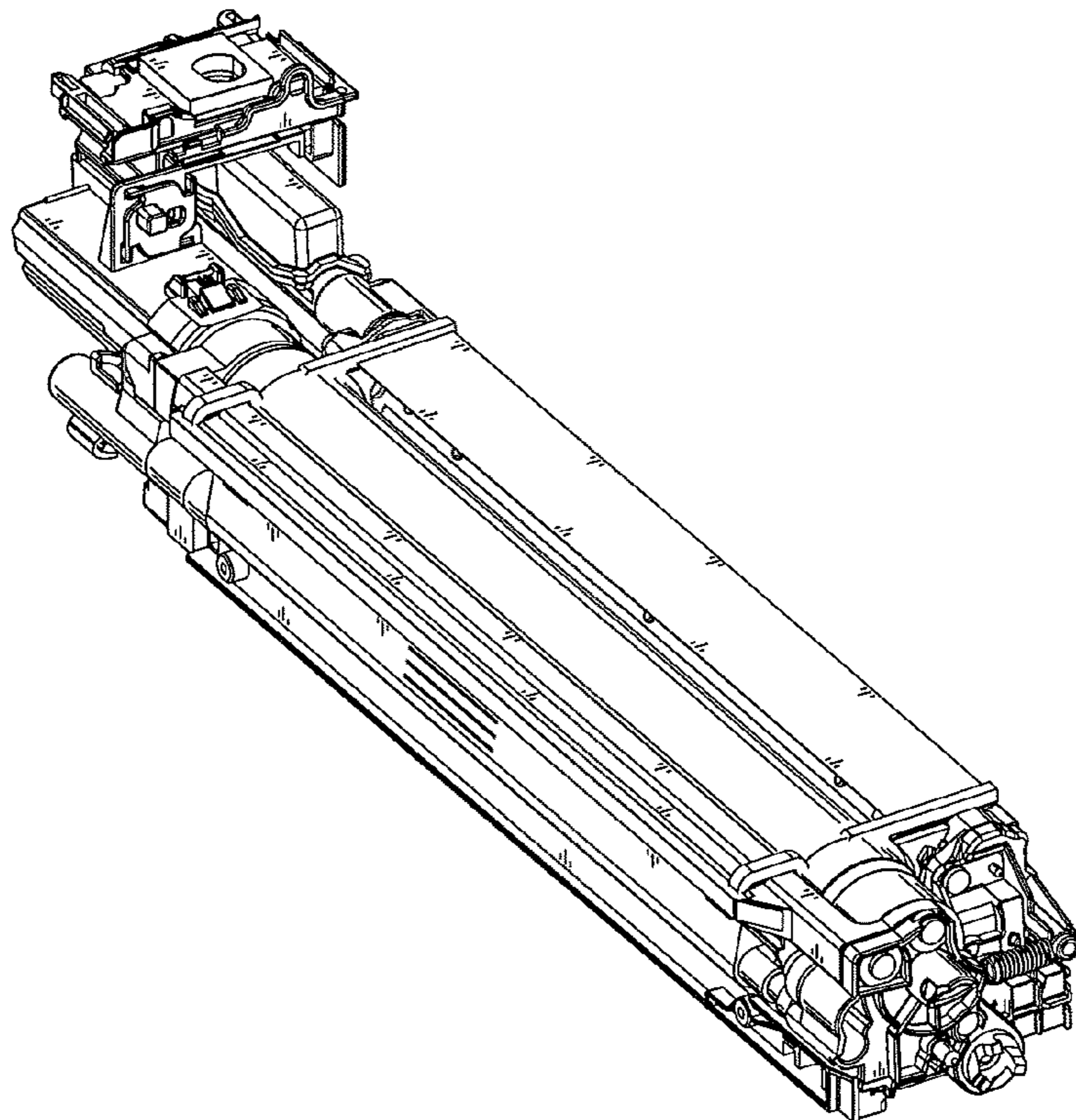


FIG.9

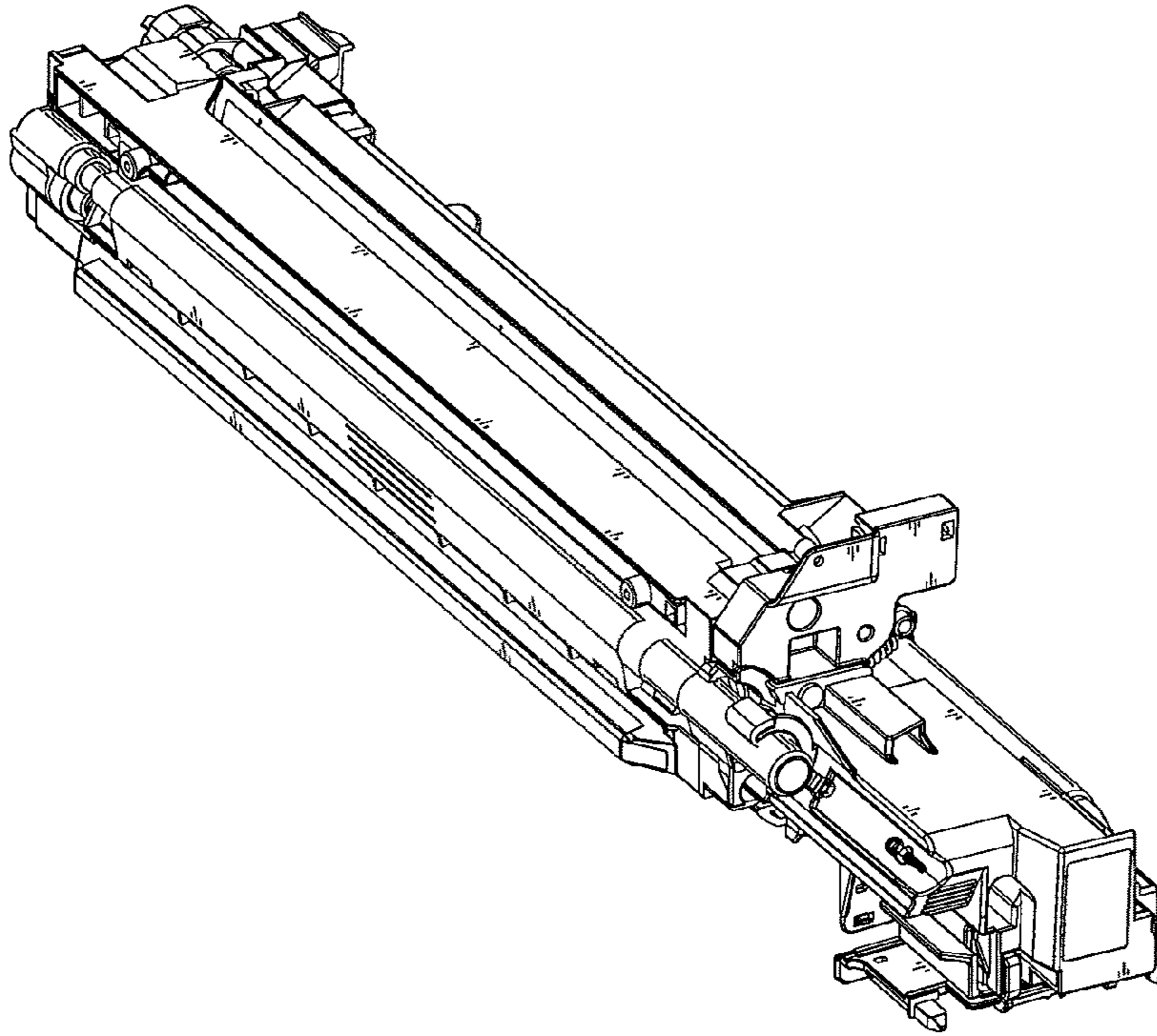


FIG.10

