



US00D644261S

(12) **United States Design Patent**
Gonzalez

(10) **Patent No.:** **US D644,261 S**

(45) **Date of Patent:** **** Aug. 30, 2011**

(54) **EYEWEAR**

(75) Inventor: **Alvaro Gonzalez**, Florence (IT)

(73) Assignee: **J. Choo Limited**, London (GB)

(**) Term: **14 Years**

(21) Appl. No.: **29/372,341**

(22) Filed: **Nov. 10, 2010**

(30) **Foreign Application Priority Data**

May 11, 2010 (EM) 001706565-0004

(51) **LOC (9) Cl.** **16-06**

(52) **U.S. Cl.** **D16/321; D16/335; D16/326**

(58) **Field of Classification Search** D16/101,

D16/300-342; D29/109-110; D24/110.2;

351/41, 44, 51-52, 62, 158, 92, 103-123,

351/140, 153, 45-46; 2/426-432, 447-449,

2/441, 434-437, 13, 15; D21/483, 659-661,

D21/598

See application file for complete search history.

(56) **References Cited**

U.S. PATENT DOCUMENTS

D130,831 S *	12/1941	Uhlemann	D16/335
D146,603 S *	4/1947	Jaffe	D16/335
D281,885 S *	12/1985	Derviss	D16/321
D397,710 S *	9/1998	Zeng	D16/306
D397,711 S *	9/1998	Zeng	D16/306
D596,661 S	7/2009	Gonzalez		

* cited by examiner

Primary Examiner — Raphael Barkai

(74) *Attorney, Agent, or Firm* — Fross Zelnick Lehrman & Zissu, P.C.; Lawrence E. Apolzon, Esq.

(57) **CLAIM**

The ornamental design for eyewear, as shown and described.

DESCRIPTION

FIG. 1 is a front perspective view of eyewear showing my new design;

FIG. 2 is a left side view of the eyewear shown in FIG. 1;

FIG. 3 is a right side view of the eyewear shown in FIG. 1;

FIG. 4 is a front view of the eyewear shown in FIG. 1;

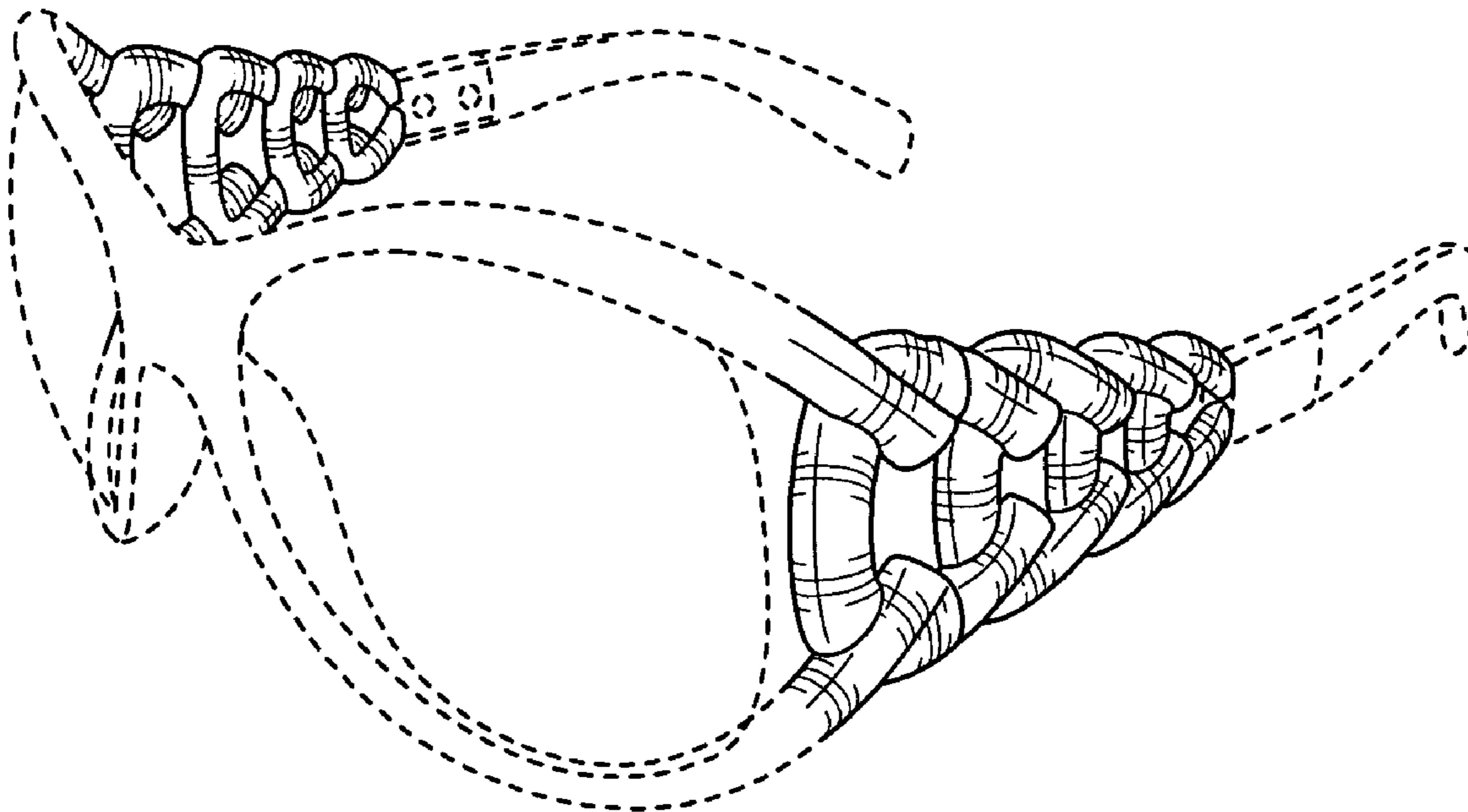
FIG. 5 is a rear view of the eyewear shown in FIG. 1;

FIG. 6 is a top view of the eyewear shown in FIG. 1; and,

FIG. 7 is a bottom view of the eyewear shown in FIG. 1.

The broken line showing of the eyewear frame, portions of the arms, metal plates, rivets, screws, and hinges is for illustrative purposes only and forms no part of the claimed design.

1 Claim, 5 Drawing Sheets



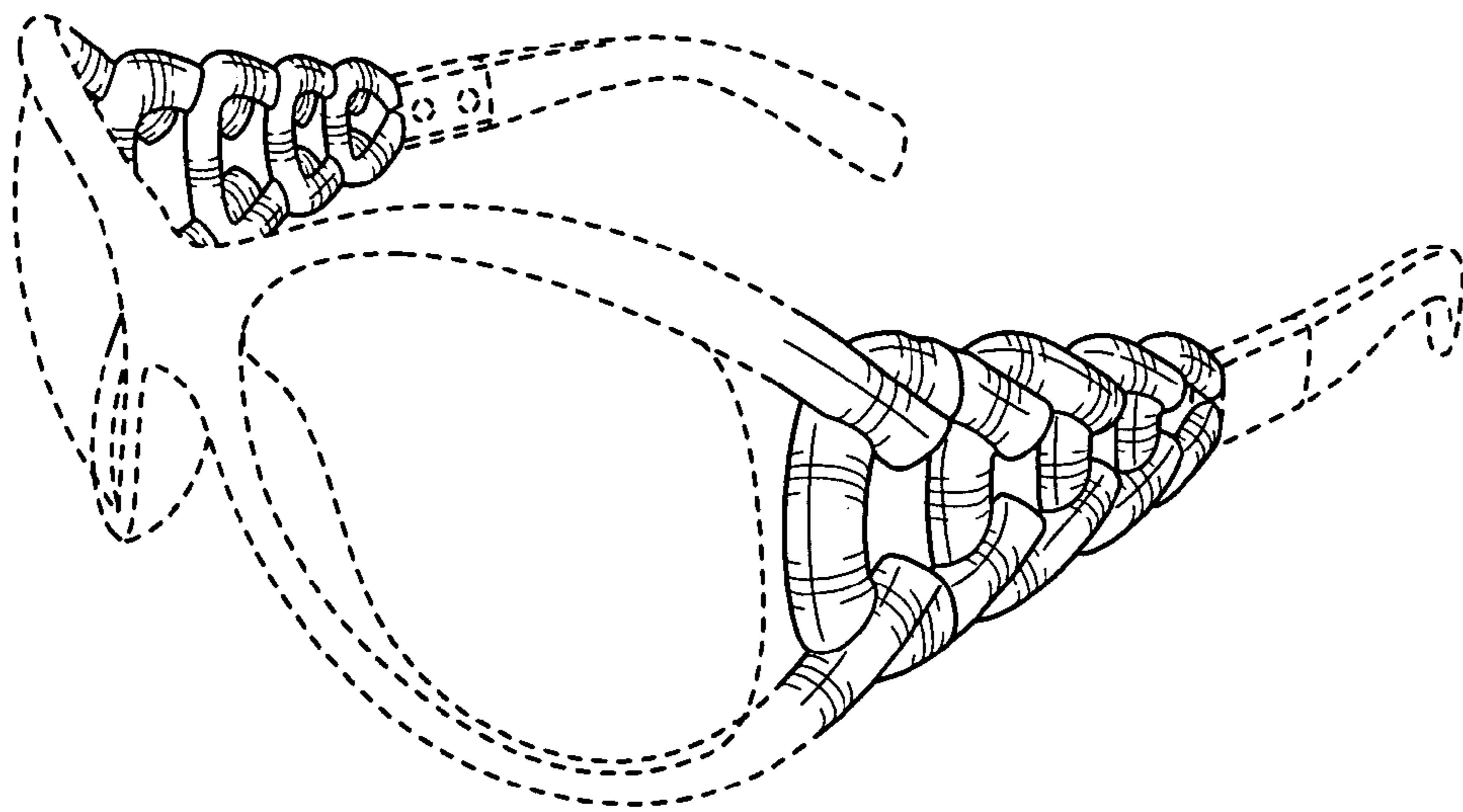


FIG. 1

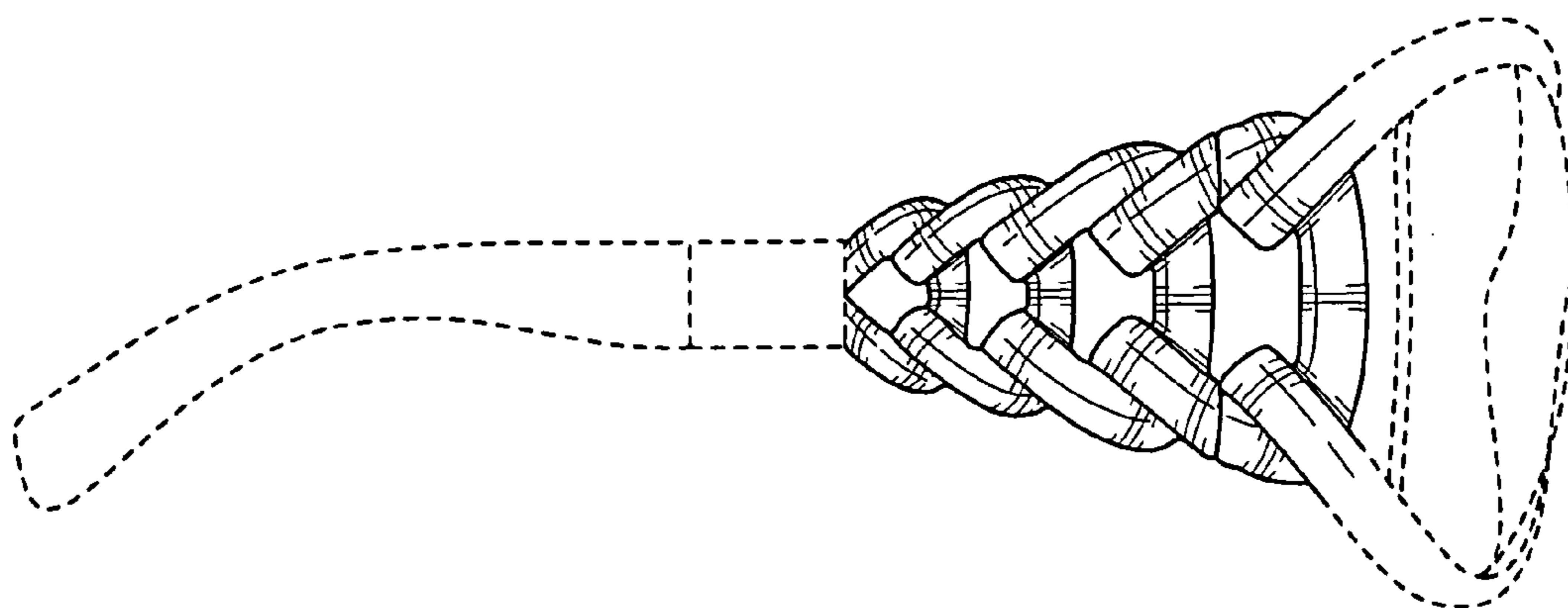


FIG. 2

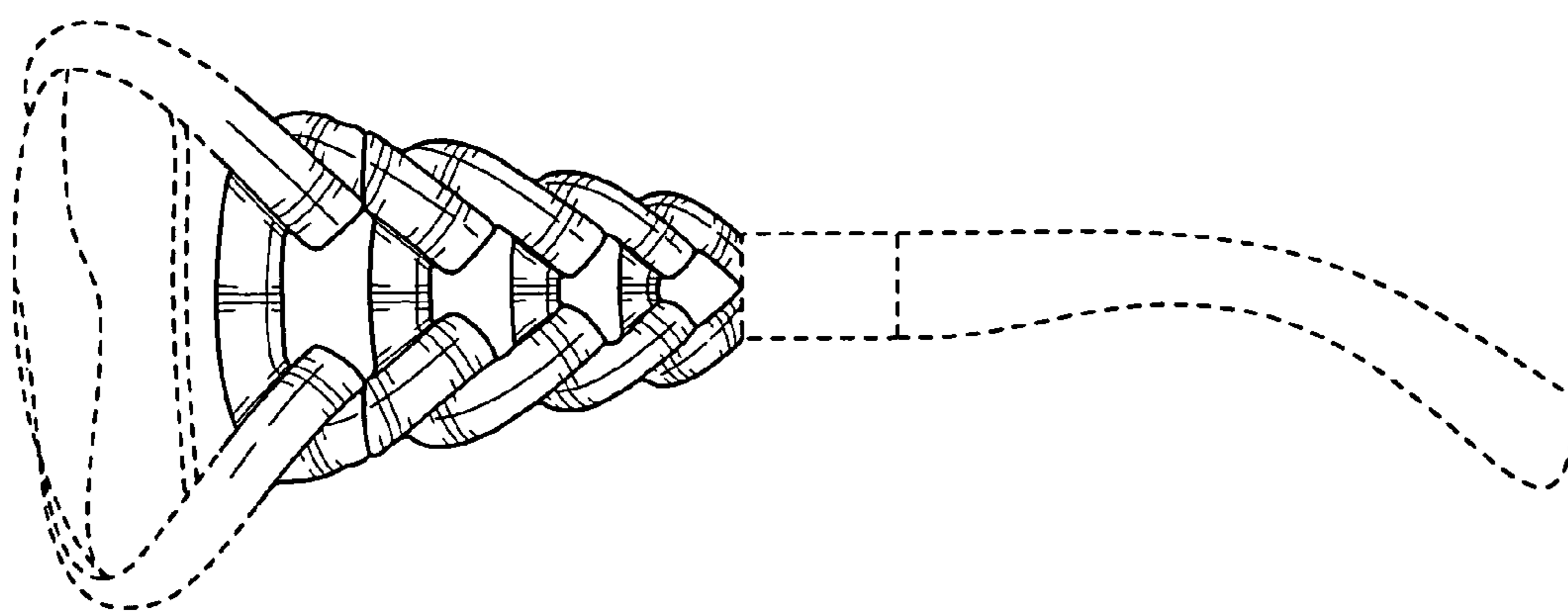


FIG. 3

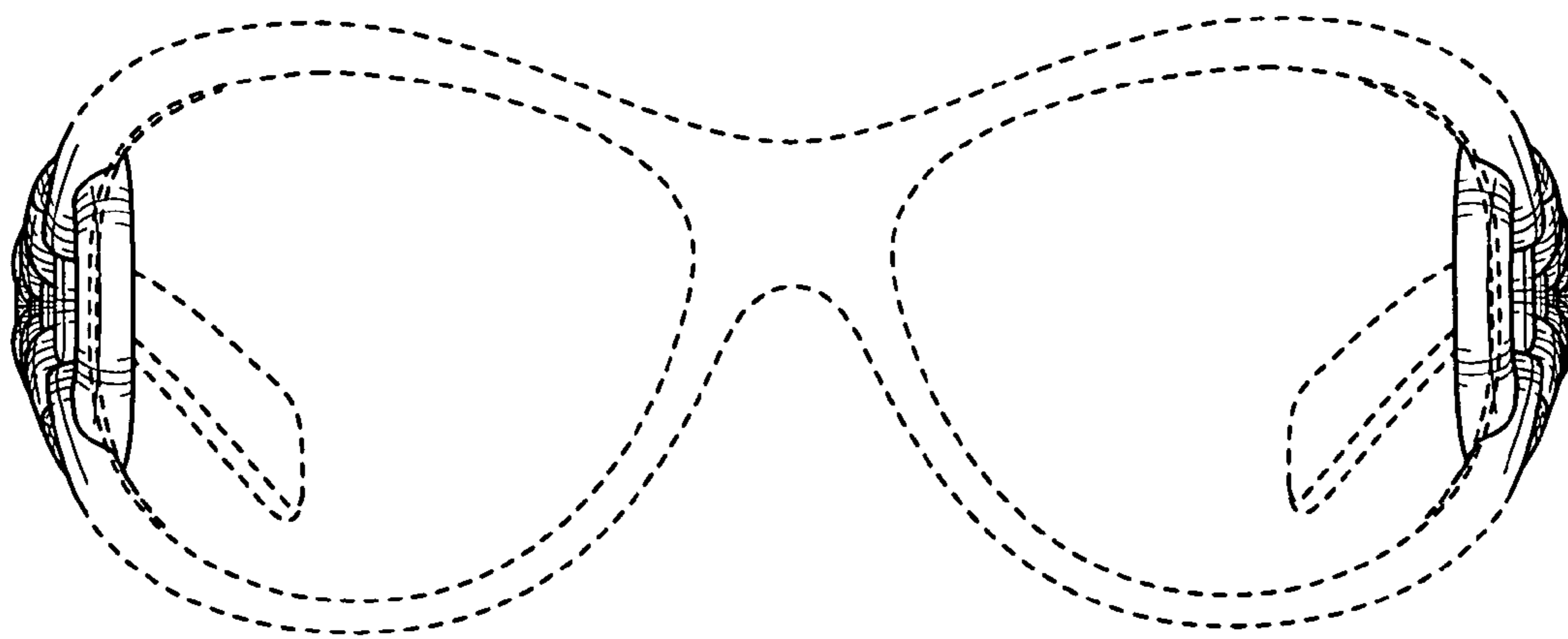


FIG. 4

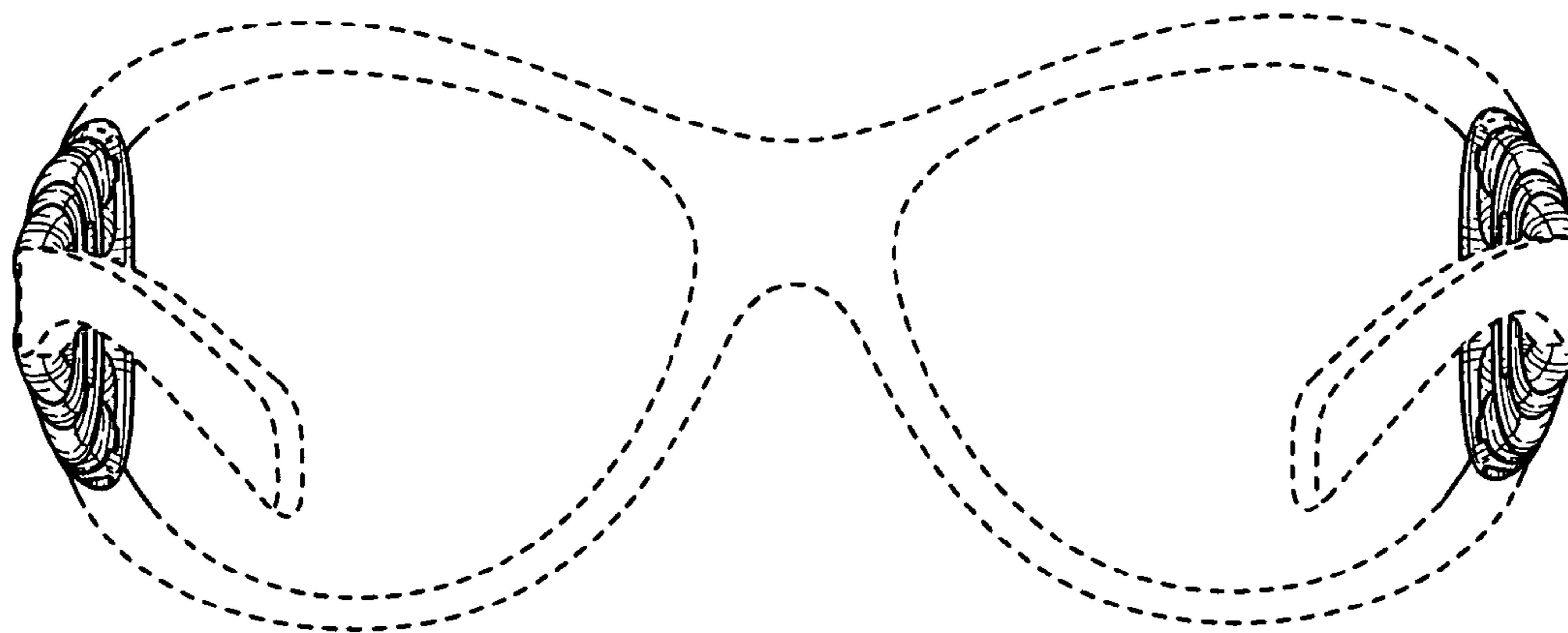


FIG. 5

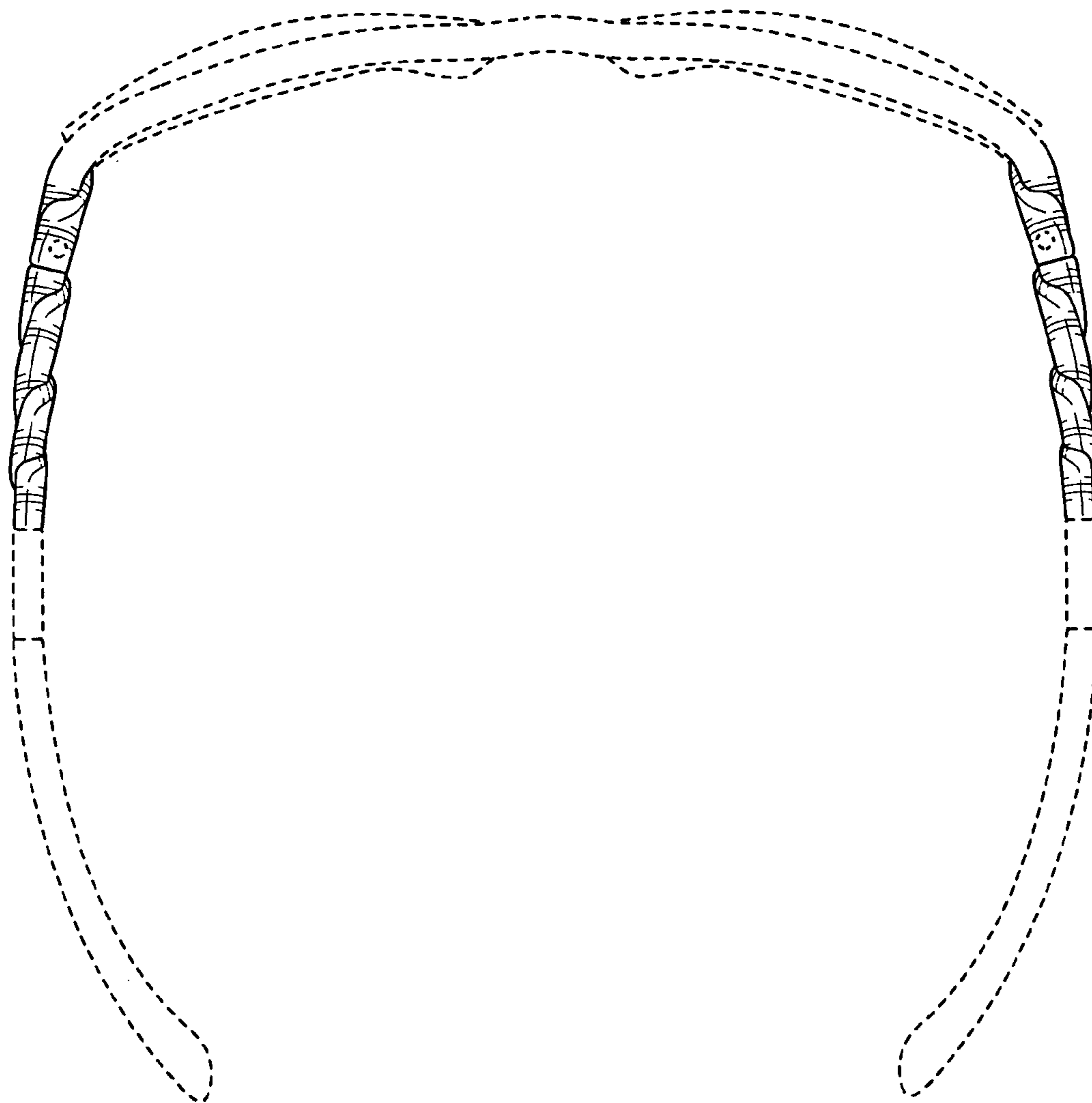


FIG. 6

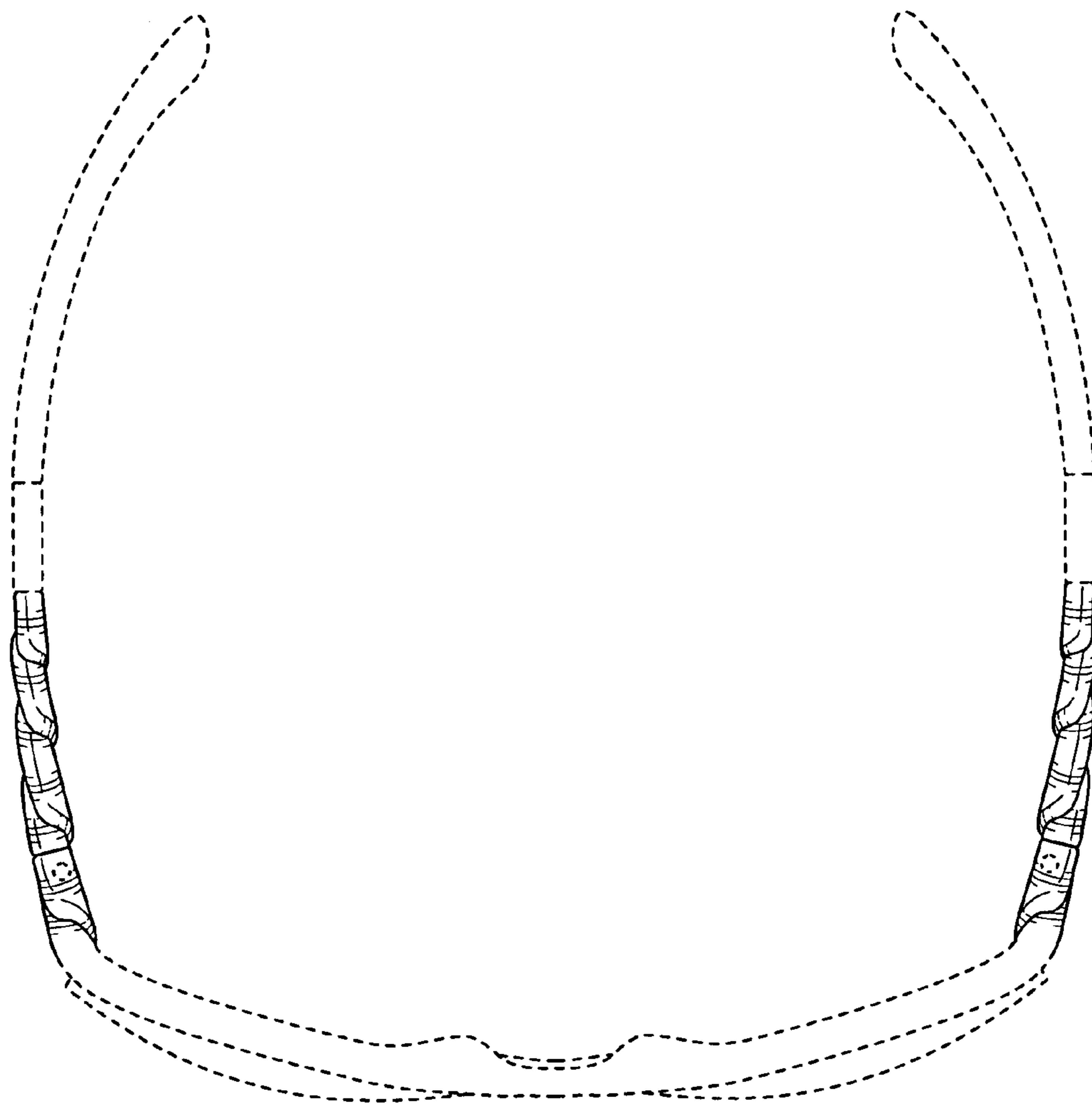


FIG. 7