



US00D644259S

(12) **United States Design Patent**
Barley et al.

(10) **Patent No.:** **US D644,259 S**

(45) **Date of Patent:** **** Aug. 30, 2011**

(54) **WIRELESS VIDEO MONITOR CAMERA**

(75) Inventors: **Christopher B. Barley**, Grand Prairie, TX (US); **James Brandon Roach**, Grand Prairie, TX (US)

(73) Assignee: **WGI Innovations, Ltd.**, Grand Prairie, TX (US)

(**) Term: **14 Years**

(21) Appl. No.: **29/382,713**

(22) Filed: **Jan. 6, 2011**

(51) **LOC (9) Cl.** **16-01**

(52) **U.S. Cl.** **D16/203**

(58) **Field of Classification Search** D16/200–204,
D16/208, 218, 242; 348/143, 373–376; 358/909.1;
396/427, 535–541

See application file for complete search history.

(56) **References Cited**

U.S. PATENT DOCUMENTS

2,982,848	A *	5/1961	Rosenberg	362/35
D517,585	S *	3/2006	Iino et al.	D16/203
7,202,904	B2 *	4/2007	Wei	348/373
D550,738	S *	9/2007	Hsia	D16/202
D554,171	S *	10/2007	Deng	D16/203
D558,249	S *	12/2007	Hsia	D16/203
D558,250	S *	12/2007	Hsia	D16/203
D562,372	S *	2/2008	Takahashi	D16/202
D573,622	S *	7/2008	Fisher et al.	D16/202
D626,983	S *	11/2010	Serge et al.	D16/202

OTHER PUBLICATIONS

BestView Handheld Color Video Monitor, Summer Infant, downloaded from website www.summerinfant.com, Jan. 6, 2011, 2 pages.

Slim & Secure Handheld Color Video Monitor-Pink, Summer Infant, downloaded from website www.summerinfant.com, Jan. 6, 2011, 2 pages.

BabyTouch Digital Video Monitor, Summer Infant, downloaded from website www.summerinfant.com, Jan. 6, 2011, 2 pages.

Day & Night Baby Video Monitor, Summer Infant, downloaded from website www.summerinfant.com, Jan. 6, 2011, 2 pages.

Day & Night Baby Video Monitor Set, Summer Infant, downloaded from website www.summerinfant.com, Jan. 6, 2011, 2 pages.

Day & Night Flat Screen Color Video Monitor Set, Summer Infant, downloaded from website www.summerinfant.com, Jan. 6, 2011, 2 pages.

Complet Coverage Color Video Monitor Set, Summer Infant, downloaded from website www.summerinfant.com, Jan. 6, 2011, 1 page.

ClearVu Digital Video Baby Monitor, Levana, downloaded from website www.mylevana.com Jan. 19, 2011, 3 pages.

* cited by examiner

Primary Examiner — Adir Aronovich

(74) *Attorney, Agent, or Firm* — Geoffrey A. Mantooth

(57) **CLAIM**

The ornamental design for a wireless video monitor camera, as shown and described.

DESCRIPTION

FIG. 1 is a top, front and left side perspective view of a wireless video monitor camera showing our new design;

FIG. 2 is a front elevational view thereof;

FIG. 3 is a left side elevational view thereof;

FIG. 4 is a right side elevational view thereof;

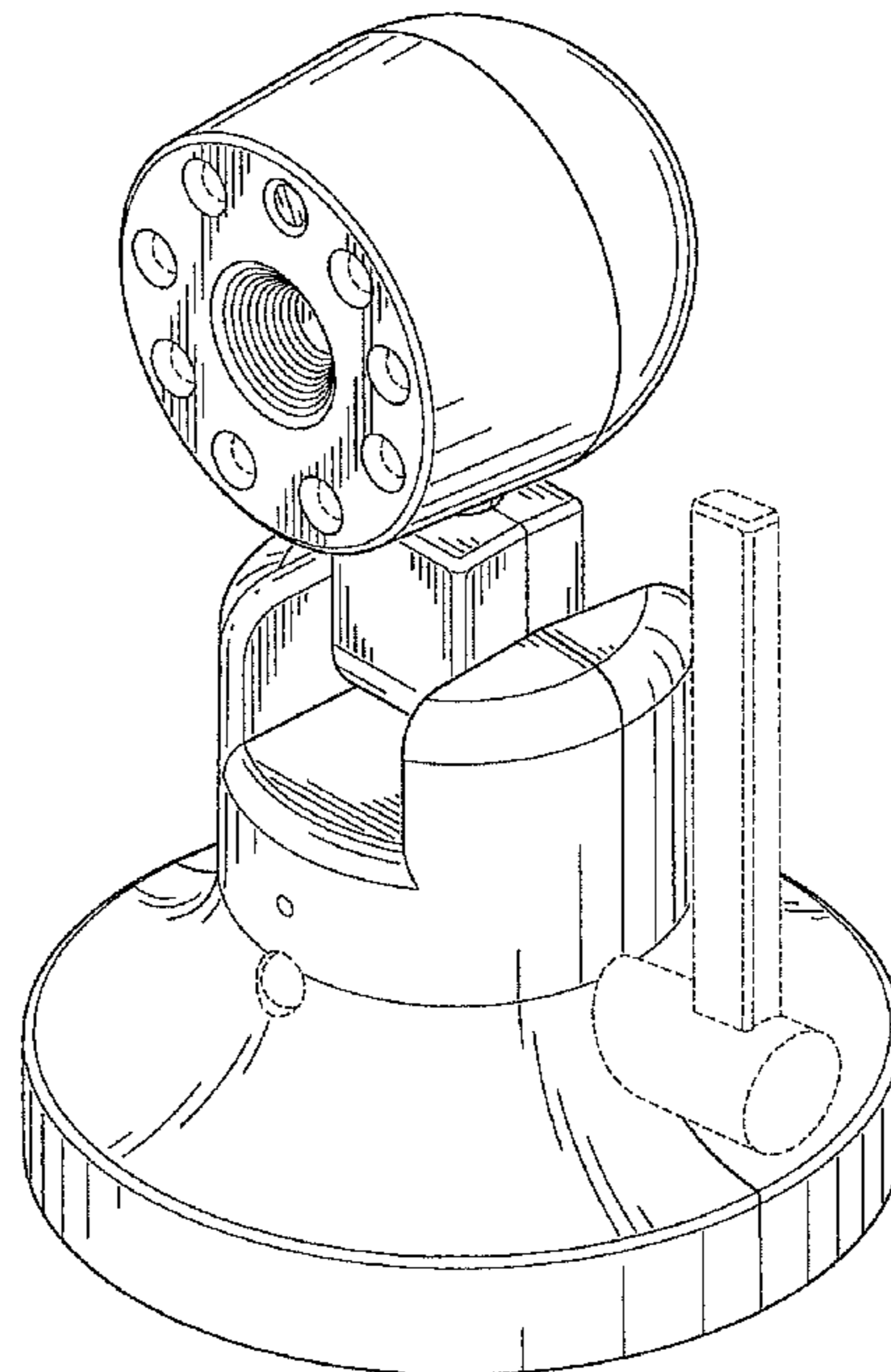
FIG. 5 is a rear elevational view thereof;

FIG. 6 is a top plan view thereof; and,

FIG. 7 is a bottom plan view thereof.

The portions of the article in broken lines are for illustrative purposes only and form no part of the claimed design.

1 Claim, 6 Drawing Sheets



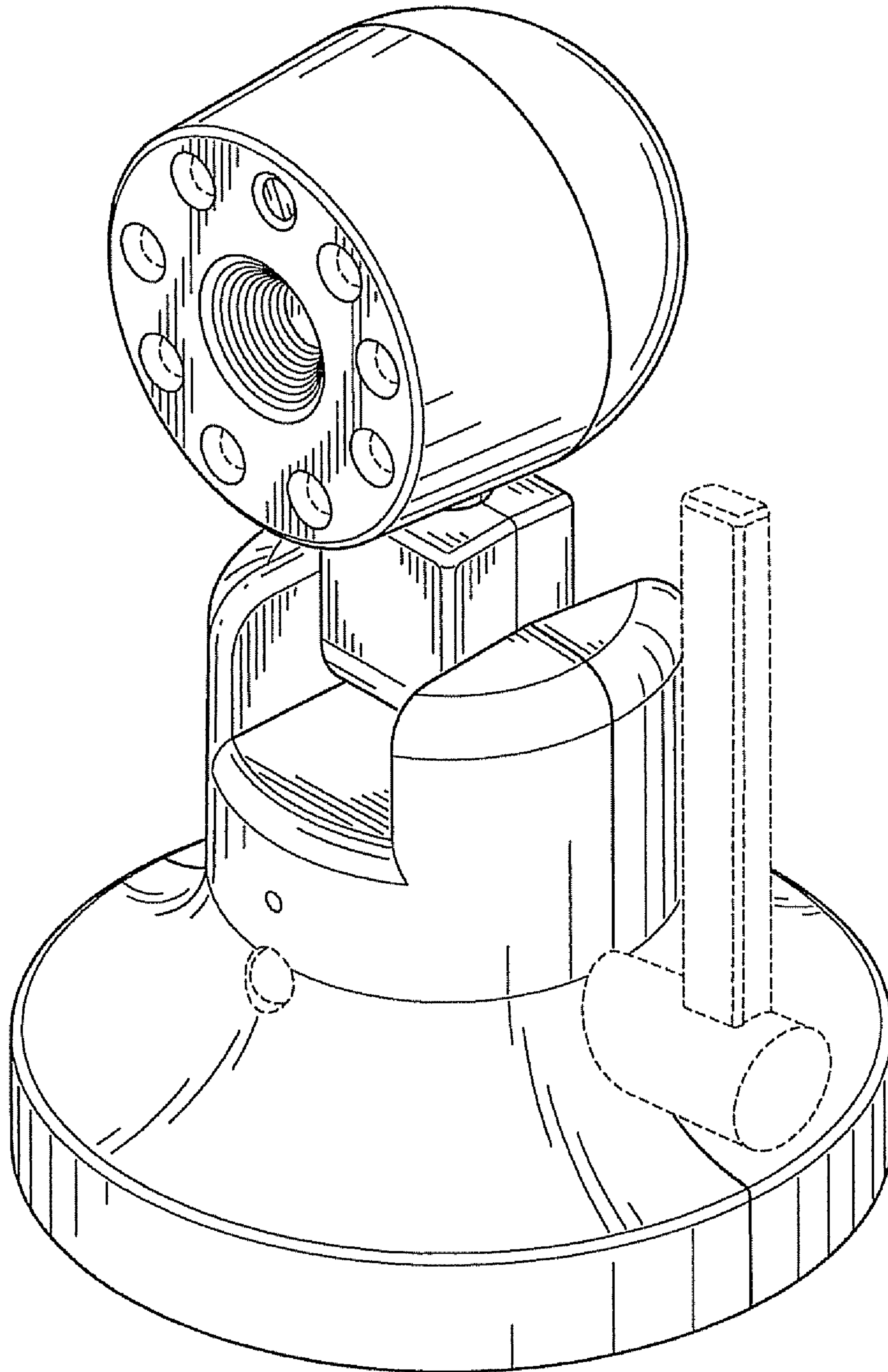


FIG. 1

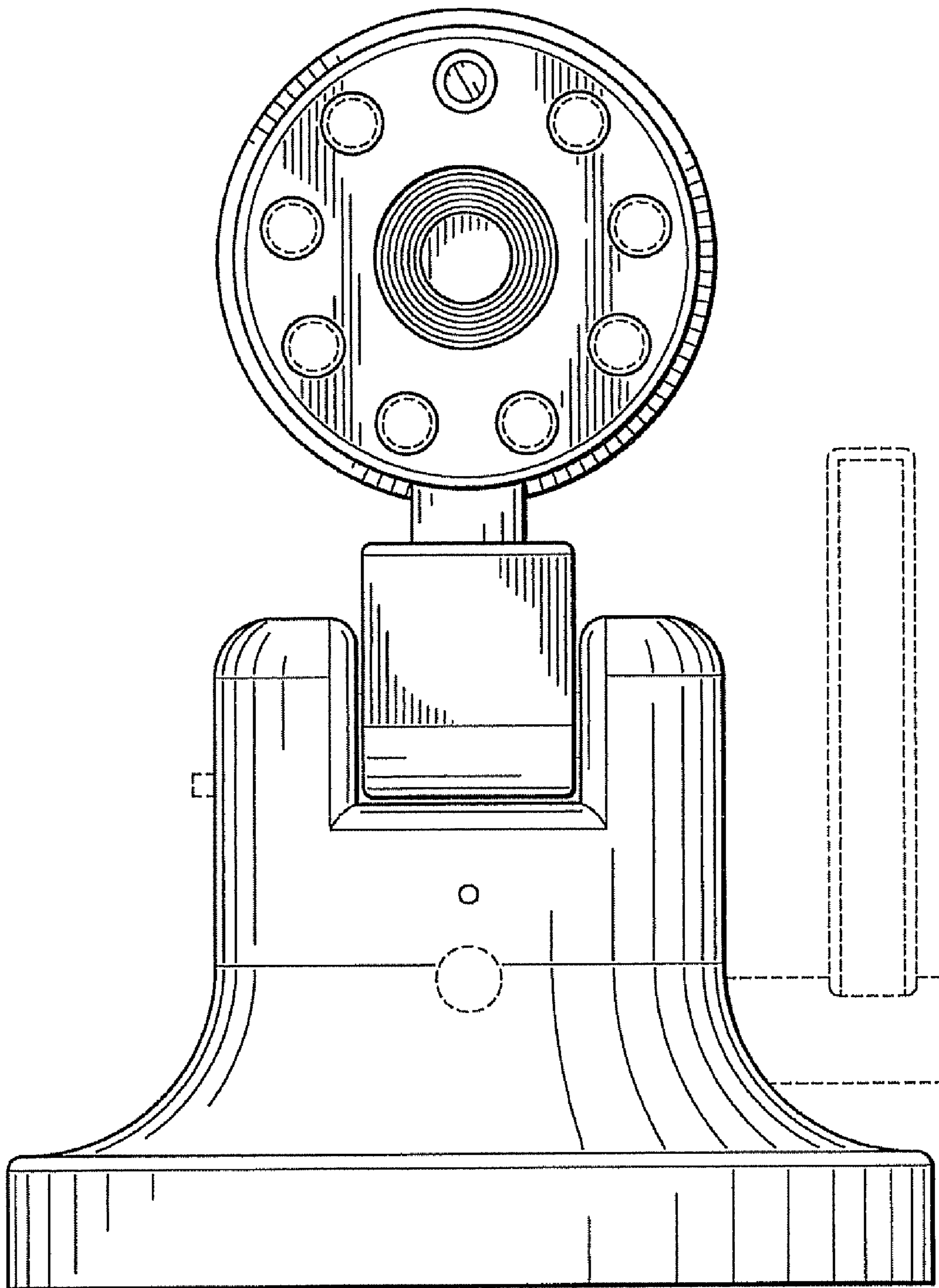


FIG. 2

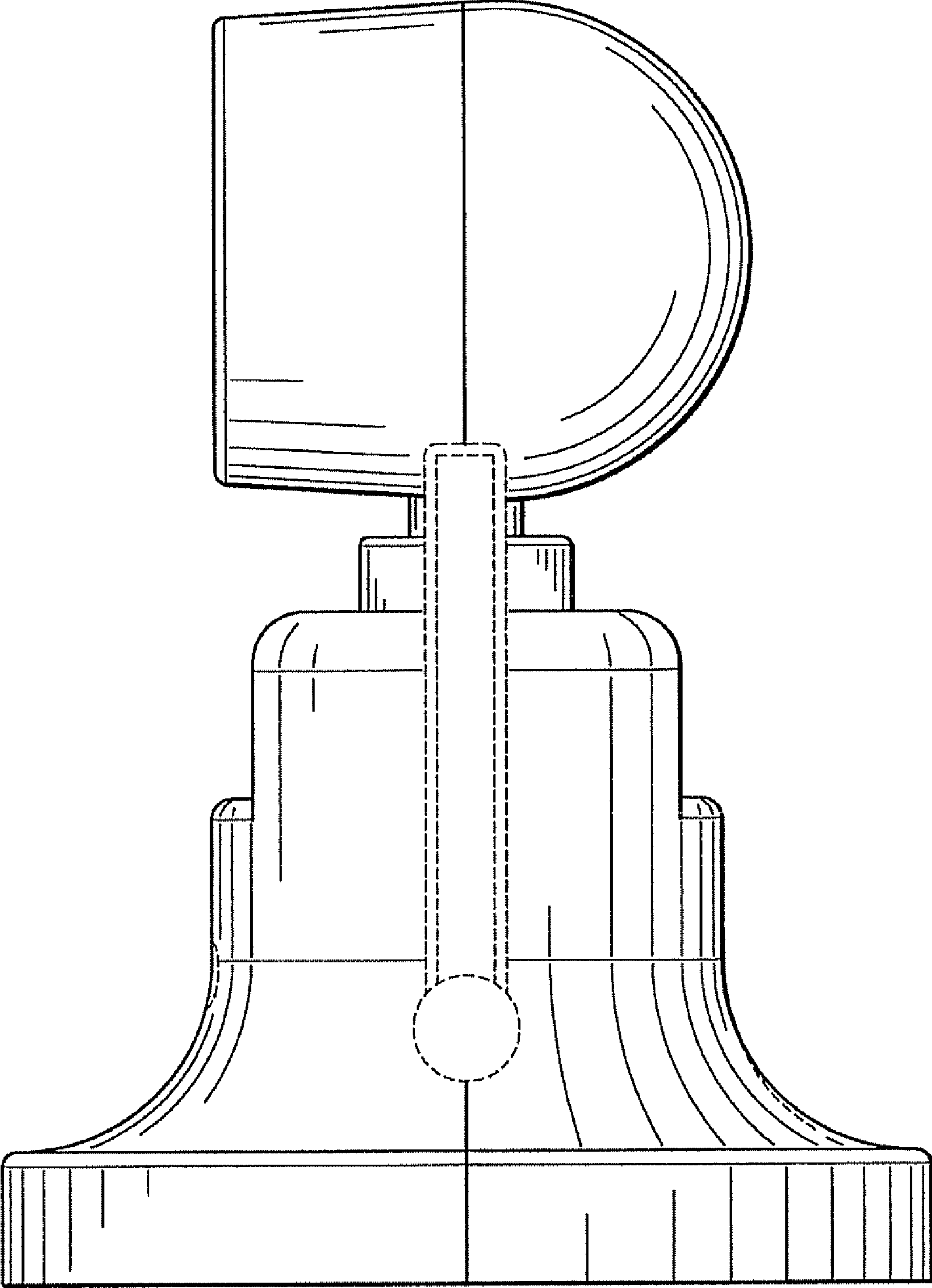


FIG. 3

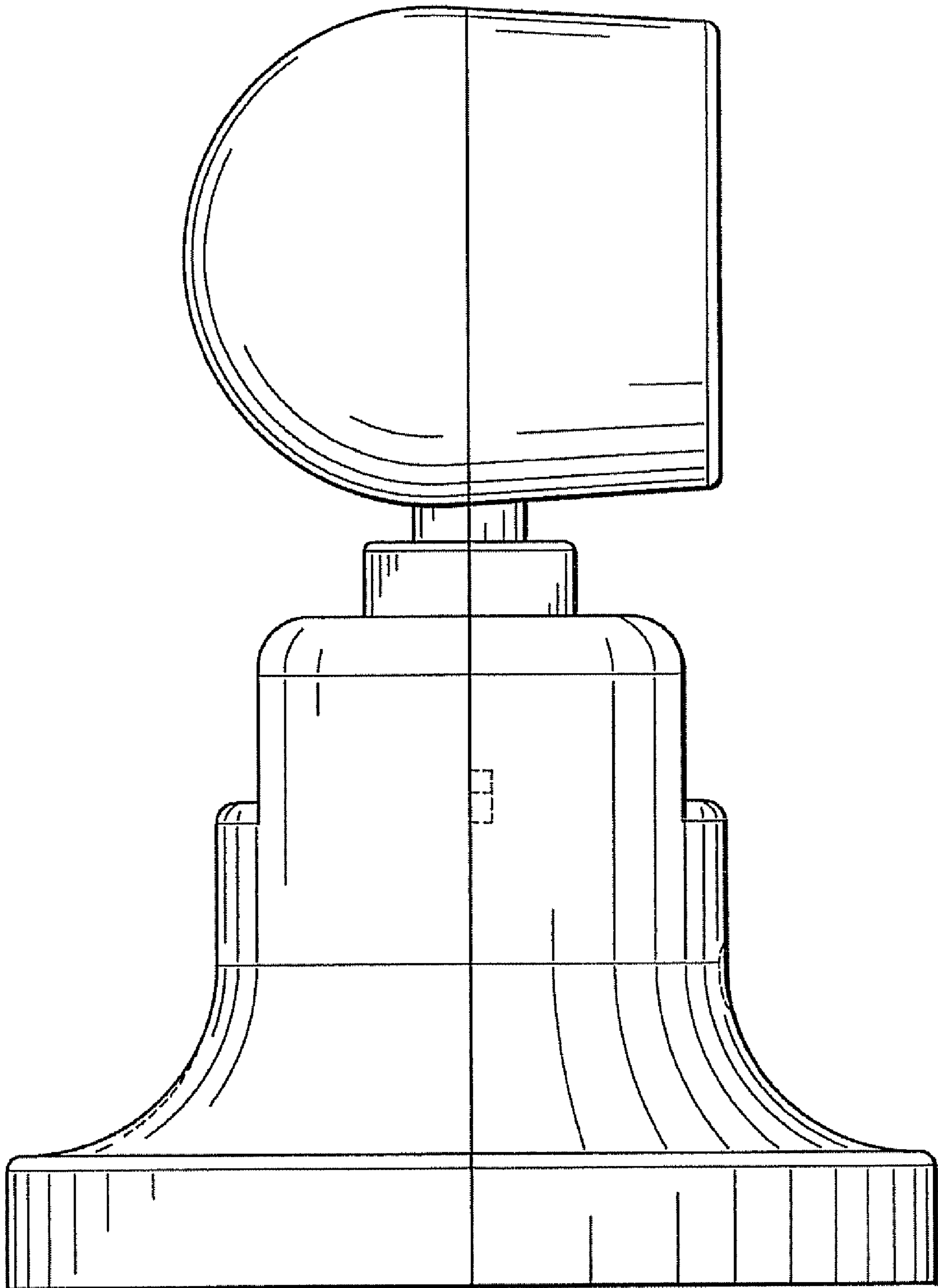


FIG. 4

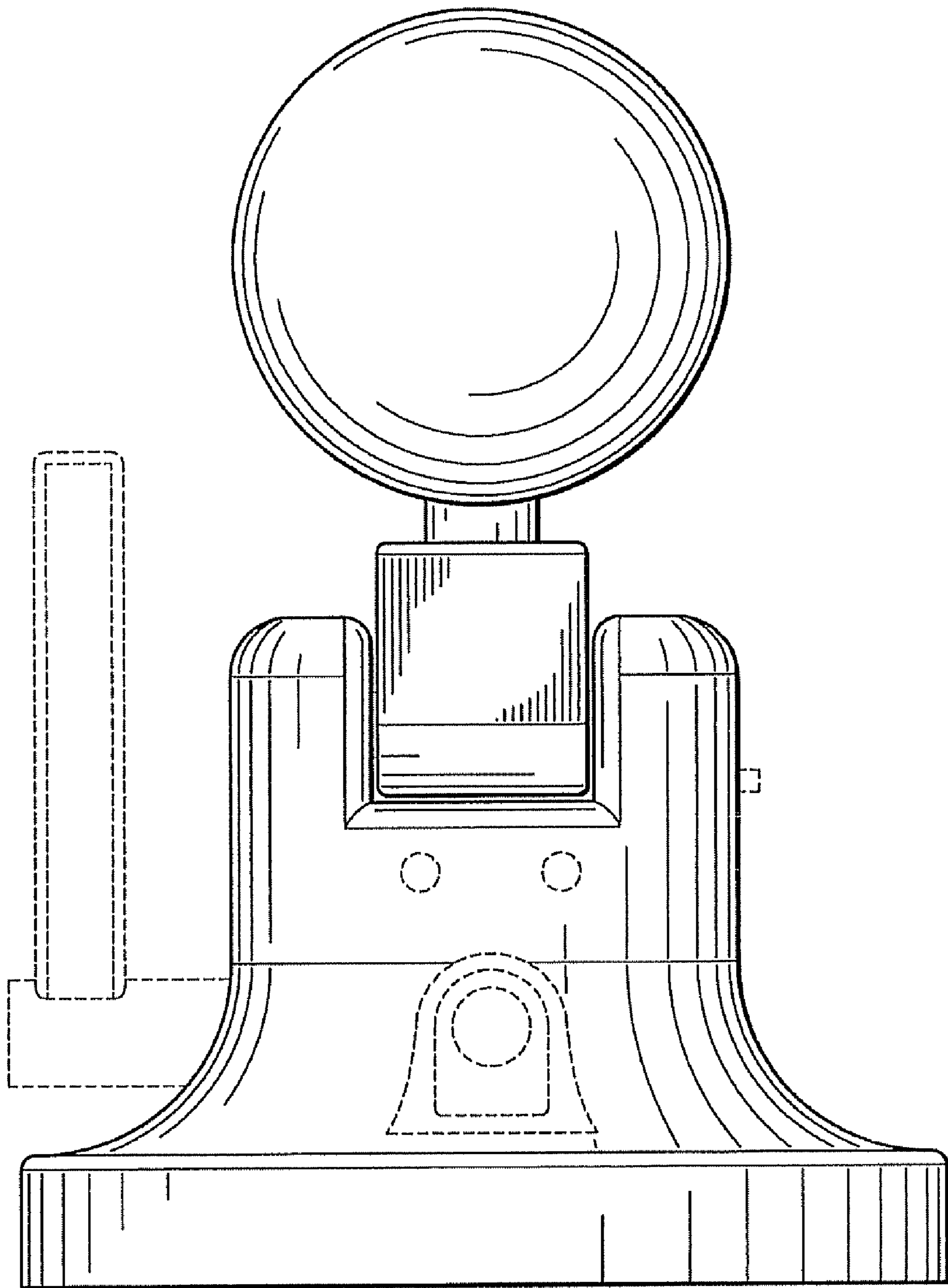


FIG. 5

FIG. 6

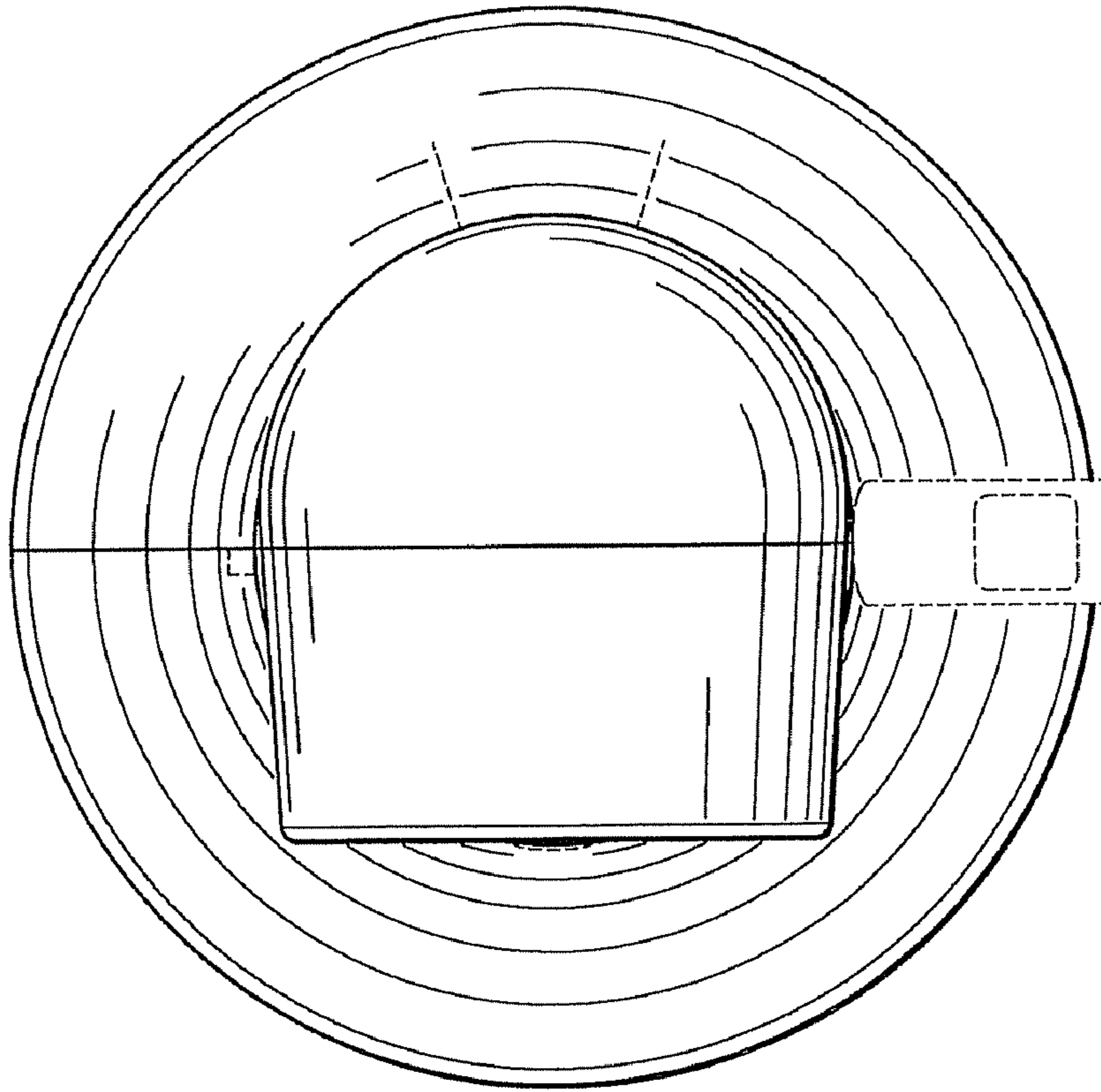


FIG. 7

