



US00D644257S

(12) **United States Design Patent**
Kitano et al.

(10) **Patent No.:** **US D644,257 S**

(45) **Date of Patent:** **** Aug. 30, 2011**

(54) **AUTONOMOUS MOBILE ROBOT**

(75) Inventors: **Yukihiko Kitano**, Hyogo (JP); **Shoichi Kobayashi**, Hyogo (JP); **Mizuho Sakakibara**, Tokyo (JP); **Rie Takahashi**, Osaka (JP); **Hajime Kawano**, Osaka (JP); **Tatsuo Sakai**, Osaka (JP); **Hiroyuki Uematsu**, Osaka (JP); **Shintaro Kinoshita**, Nara (JP); **Ryosuke Murai**, Osaka (JP)

(73) Assignee: **Panasonic Corporation**, Osaka (JP)

(**) Term: **14 Years**

(21) Appl. No.: **29/387,116**

(22) Filed: **Mar. 9, 2011**

(30) **Foreign Application Priority Data**

Sep. 10, 2010 (JP) 2010-021887

(51) **LOC (9) Cl.** **15-99**

(52) **U.S. Cl.** **D15/199**

(58) **Field of Classification Search** D6/396, D6/397; D15/199; D20/21, 31, 99; D21/59, D21/578-583, 593, 621, 622; D25/16; 180/8.6; 318/568.12, 568.2; 364/424.02; 446/268, 446/274, 279, 280, 285, 289-292, 294, 297-303, 446/353-355, 376-384

See application file for complete search history.

(56) **References Cited**

U.S. PATENT DOCUMENTS

3,728,815 A * 4/1973 Tomiyama 446/291
4,717,364 A * 1/1988 Furukawa 446/175

5,324,948 A * 6/1994 Dudar et al. 250/379
D572,239 S * 7/2008 Hoehn et al. D14/218
D602,659 S * 10/2009 Warburton D32/21
D635,603 S * 4/2011 Paz Rodriguez D15/199
2009/0169347 A1 * 7/2009 Teng et al. 414/401

FOREIGN PATENT DOCUMENTS

JP 1106716 4/2001
JP 1165210 2/2003
JP 1183972 9/2003
JP 1256044 11/2005

* cited by examiner

Primary Examiner — Patricia Palasik

(74) *Attorney, Agent, or Firm* — Panasonic Patent Center; Dhiren Odedra; Kerry Culpepper

(57) **CLAIM**

We claim the ornamental design for an autonomous mobile robot, as shown and described.

DESCRIPTION

FIG. 1 is a top perspective view of an autonomous mobile robot of the present invention;
FIG. 2 is a front view thereof;
FIG. 3 is a rear view thereof;
FIG. 4 is a first side view thereof;
FIG. 5 is a second side view thereof;
FIG. 6 is a top view thereof; and,
FIG. 7 is a bottom view thereof.

The broken line showing of autonomous mobile robot is included for the purpose of illustrating environment and forms no part of the claimed design. Additionally, the unevenly broken lines in the drawings define the limits of the claimed design.

1 Claim, 7 Drawing Sheets

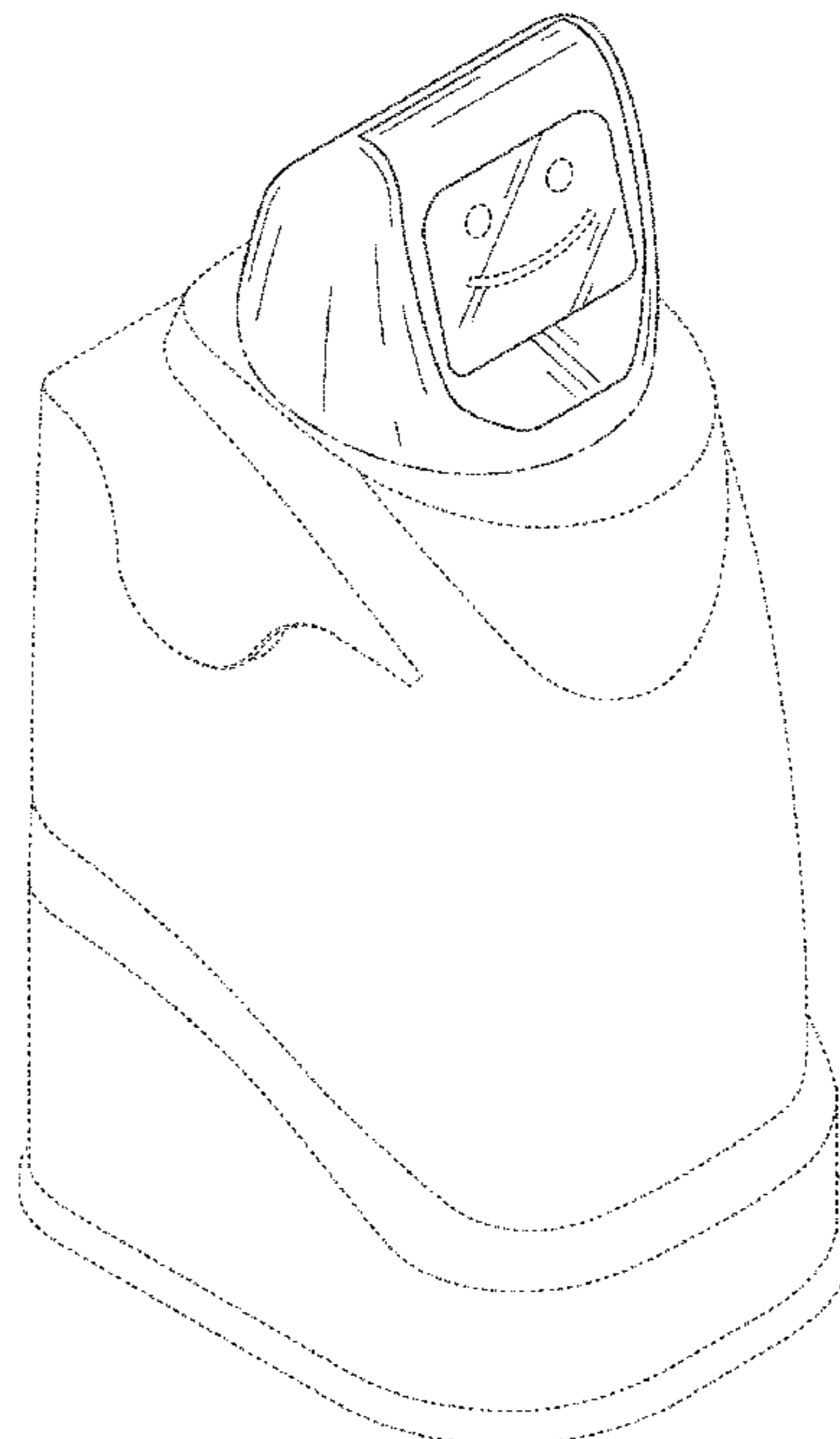


FIG. 1

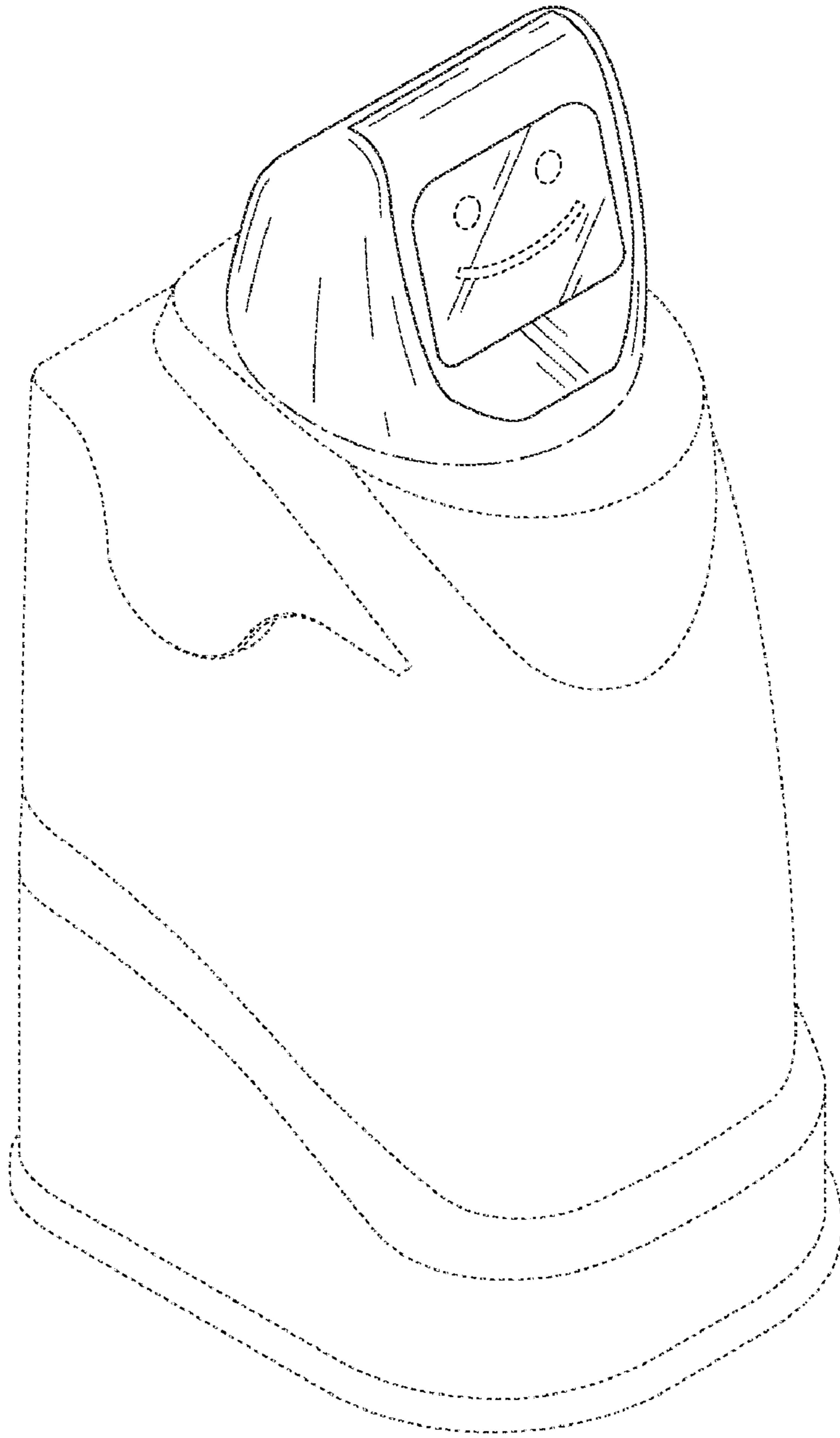


FIG. 2

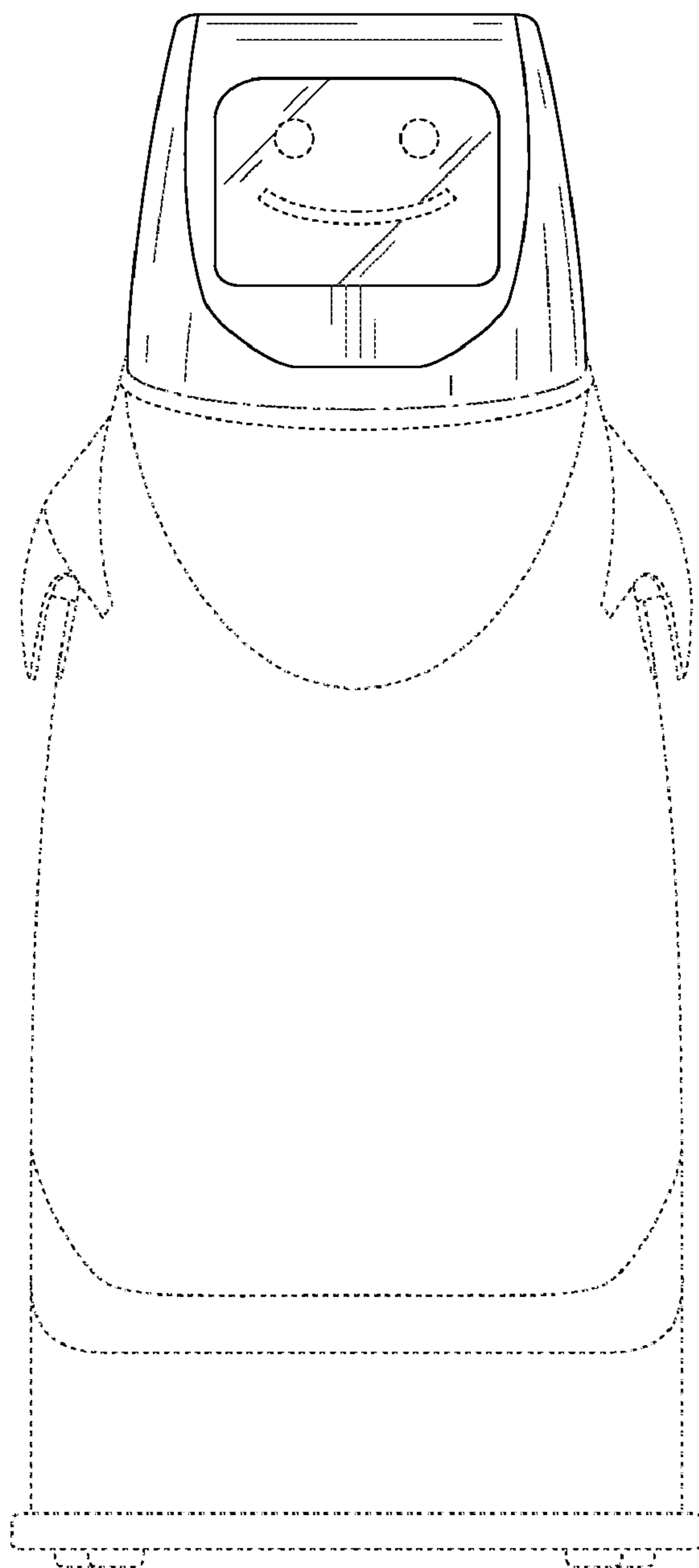


FIG. 3

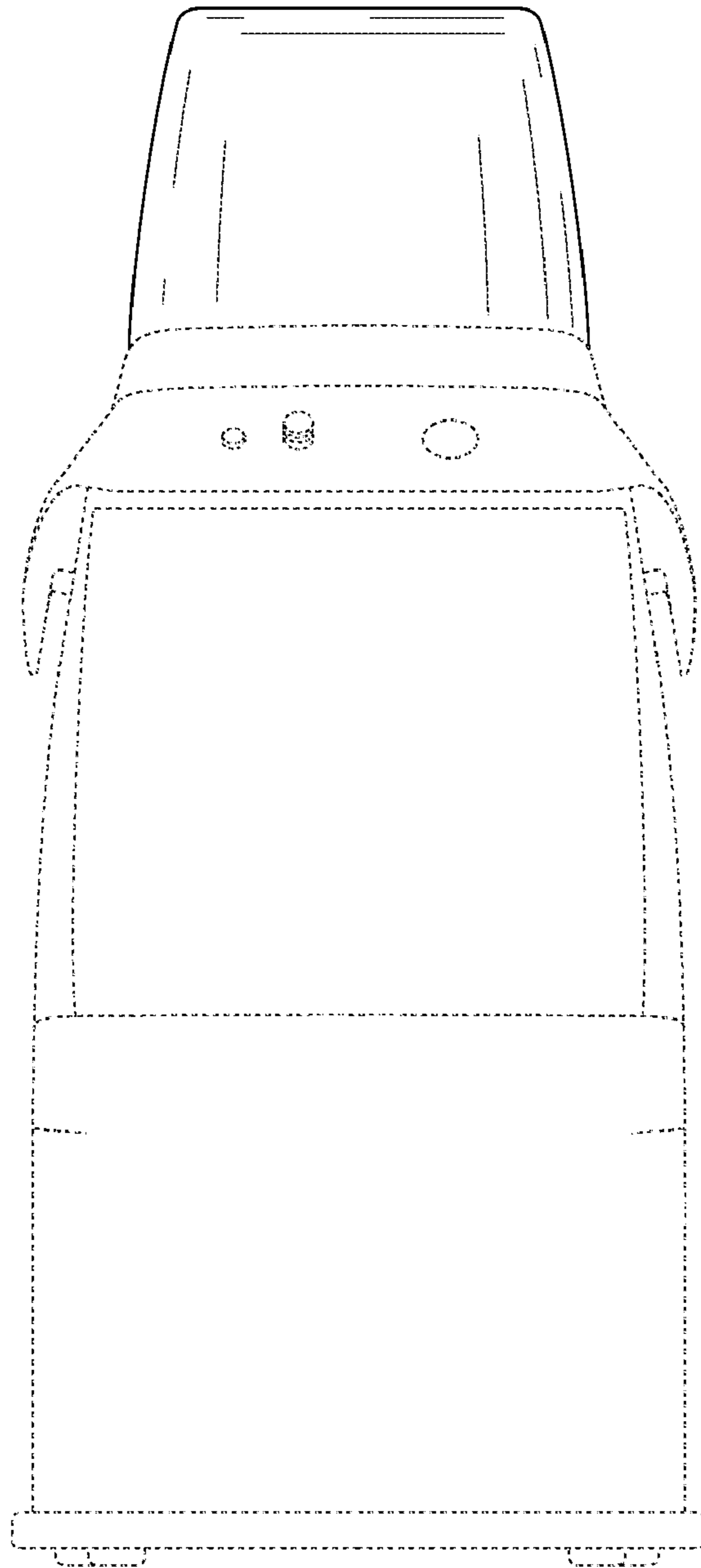


FIG. 4

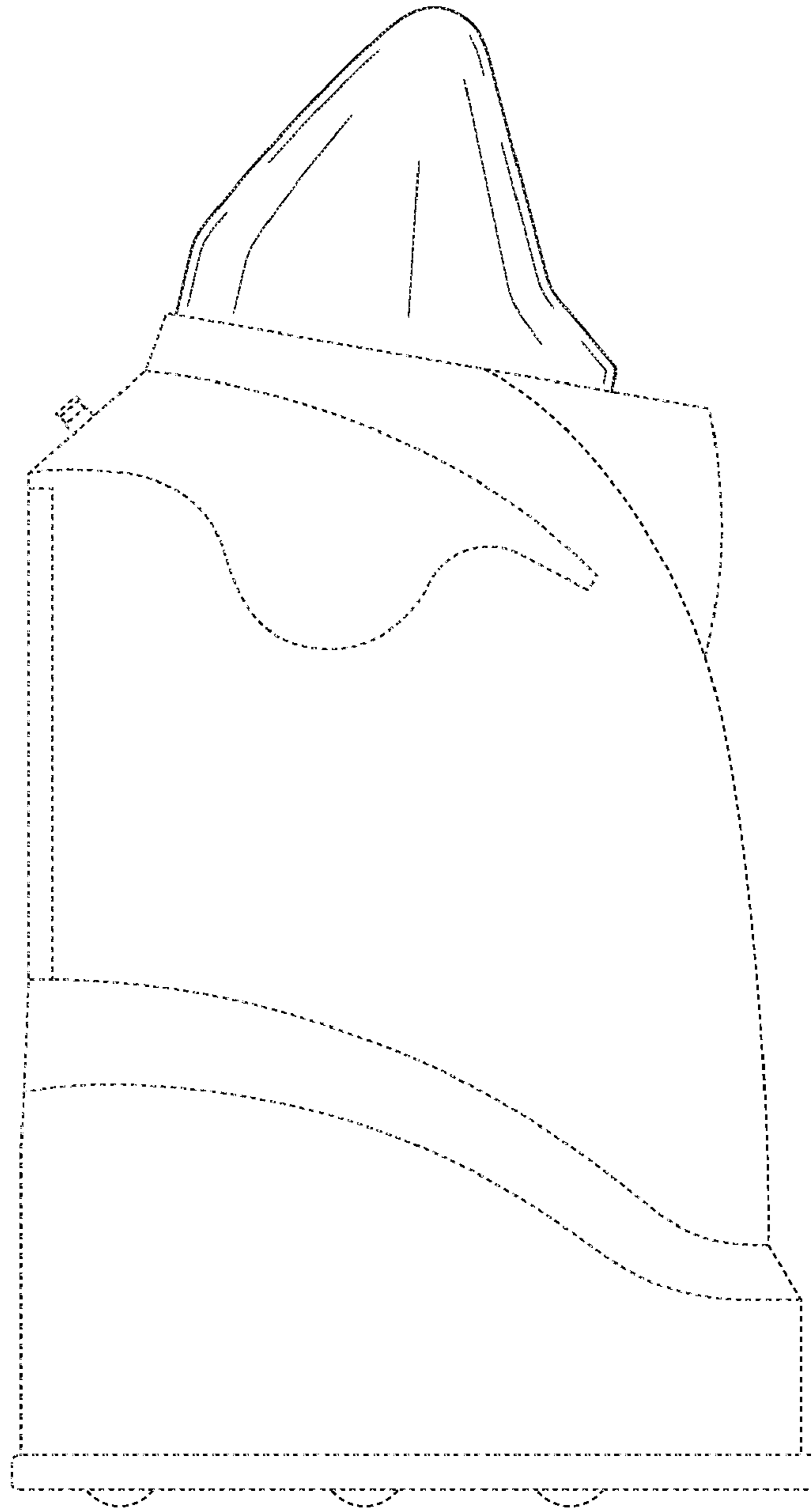


FIG. 5

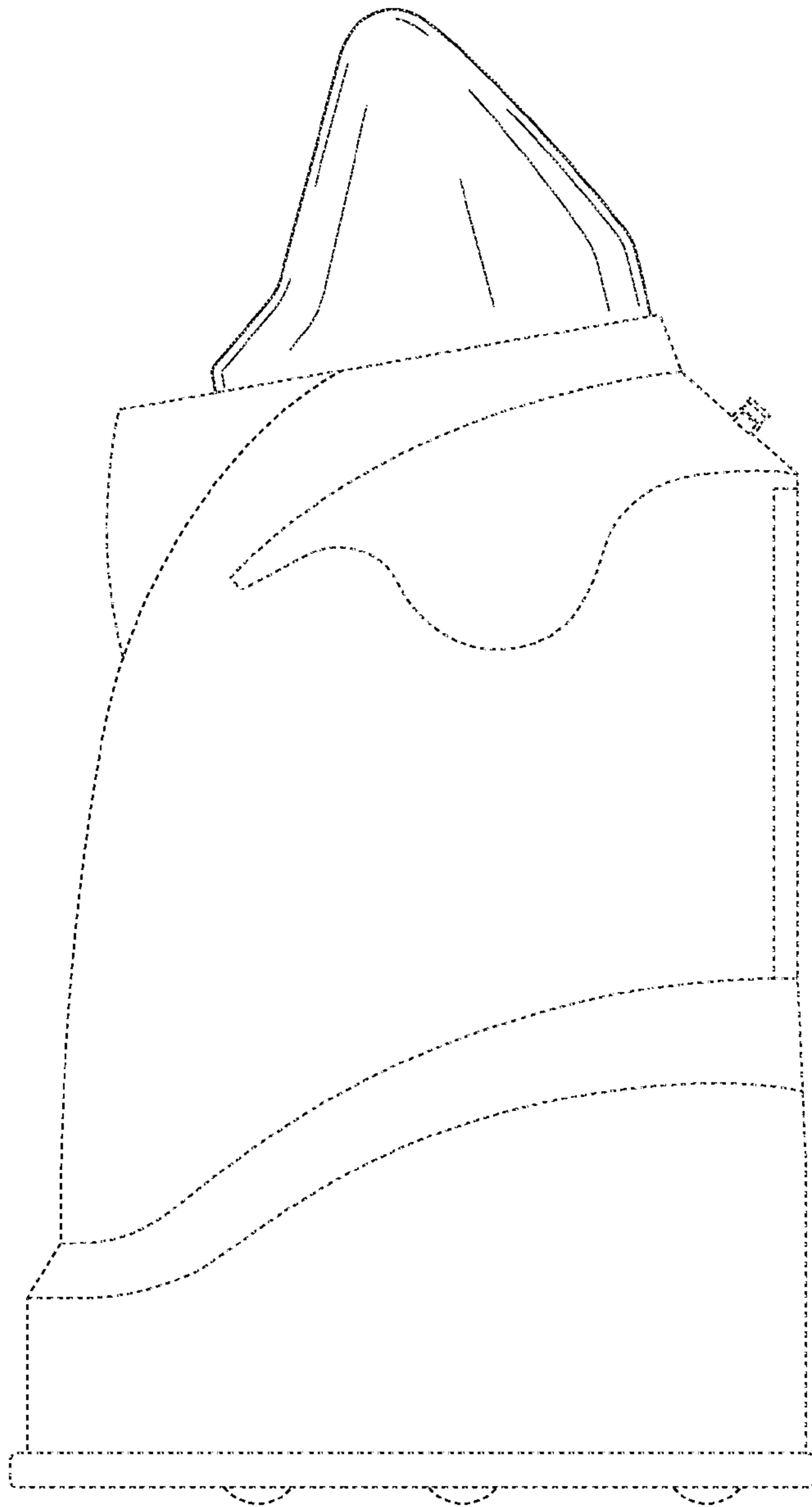


FIG. 6

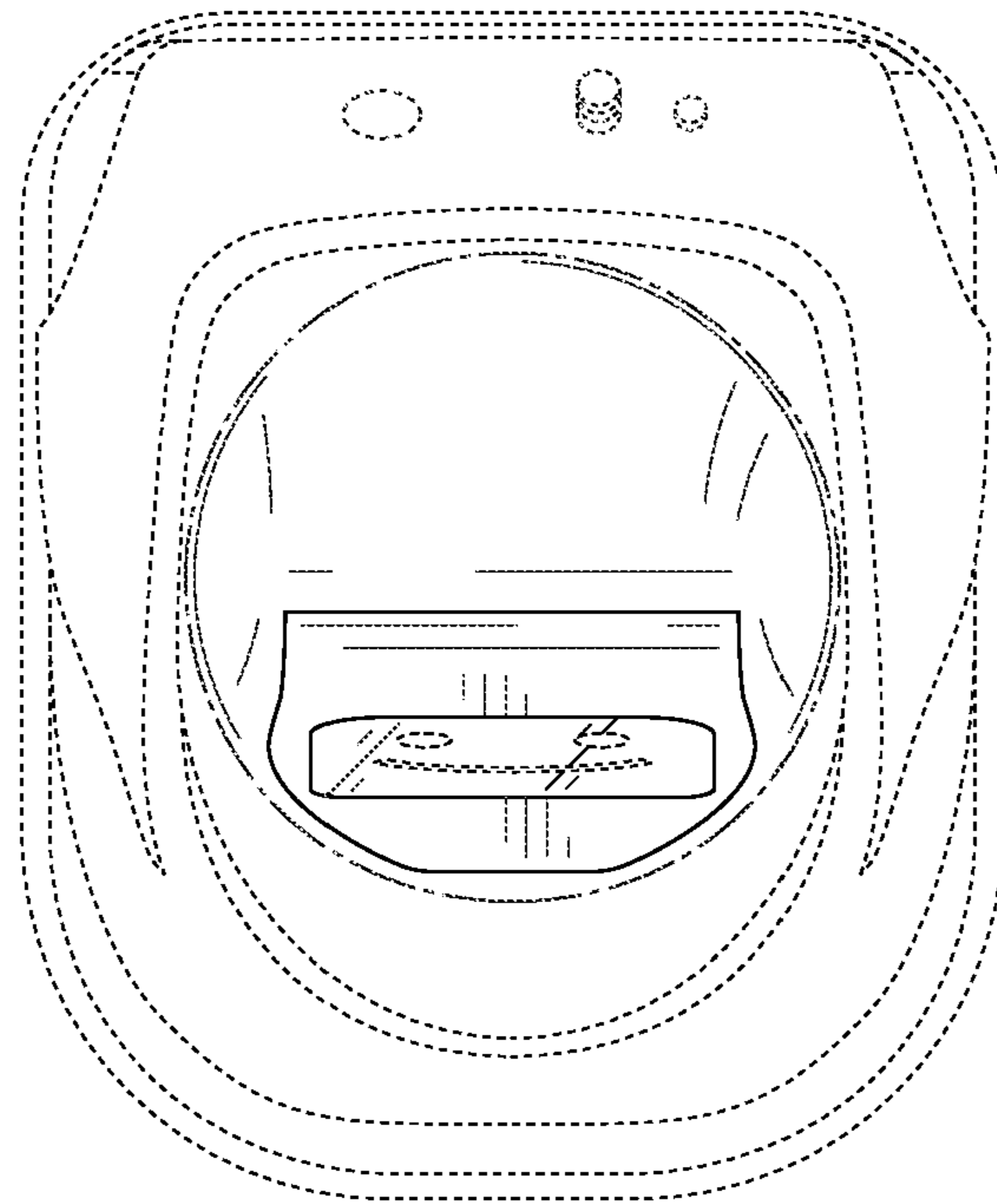


FIG. 7

