

US00D644255S

(12) **United States Design Patent**
Löf et al.

(10) **Patent No.:** **US D644,255 S**

(45) **Date of Patent:** **** Aug. 30, 2011**

(54) **CUTTING INSERT FOR CHIP REMOVING MACHINING**

(75) Inventors: **Ronnie Löf**, Sandviken (SE); **Maths Scherman**, Österfärnebo (SE)

(73) Assignee: **Sandvik Intellectual Property AB**, Sandviken (SE)

(**) Term: **14 Years**

(21) Appl. No.: **29/385,744**

(22) Filed: **Feb. 18, 2011**

(30) **Foreign Application Priority Data**

Aug. 25, 2010 (EM) 001231153

(51) **LOC (9) Cl.** **15-09**

(52) **U.S. Cl.** **D15/139**

(58) **Field of Classification Search** D8/70;
D15/138, 139, 140; 407/35, 42, 112-119
See application file for complete search history.

(56) **References Cited**

U.S. PATENT DOCUMENTS

5,116,167	A *	5/1992	Niebauer	407/114
D372,486	S *	8/1996	Morris	D15/140
D442,191	S *	5/2001	Alexander, IV	D15/139
D445,809	S *	7/2001	Alexander, IV	D15/139
D445,810	S *	7/2001	Alexander, IV	D15/139
6,641,337	B1 *	11/2003	Rothballer	407/114
D502,952	S *	3/2005	Achilles et al.	D15/139
6,935,815	B2 *	8/2005	Schwaner et al.	407/114

D570,384	S *	6/2008	Morozov	D15/139
D573,164	S *	7/2008	Nitzsche	D15/139
2002/0002886	A1 *	1/2002	Hansson et al.	82/161

* cited by examiner

Primary Examiner — Patricia Palasik

(74) *Attorney, Agent, or Firm* — Drinker Biddle & Reath LLP

(57) **CLAIM**

The ornamental design for a cutting insert for chip removing machining, as shown and described.

DESCRIPTION

FIG. 1 is a perspective top view of a cutting insert for chip removing machining.

FIG. 2 is a perspective bottom view of the cutting insert for chip removing machining.

FIG. 3 is a top view of the cutting insert for chip removing machining.

FIG. 4 is a side view of the cutting insert for chip removing machining.

FIG. 5 is a front view of the cutting insert for chip removing machining.

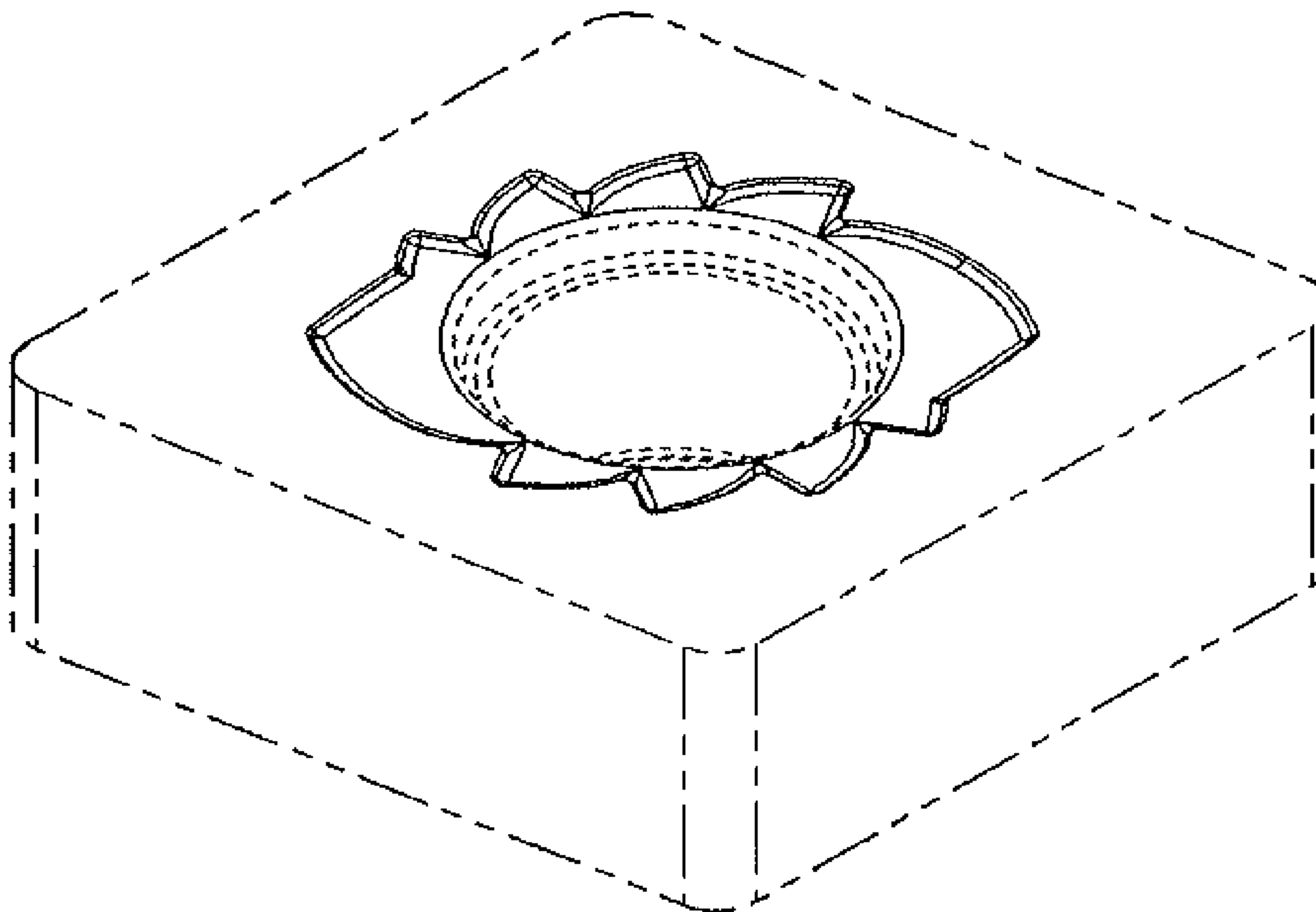
FIG. 6 is another side view of the cutting insert for chip removing machining.

FIG. 7 is a bottom view of the cutting insert for chip removing machining; and,

FIG. 8 is a rear view of the cutting insert for chip removing machining.

The broken line showing of the cutting insert is for the purpose of illustrating environmental structure and forms no part of the claimed design.

1 Claim, 1 Drawing Sheet



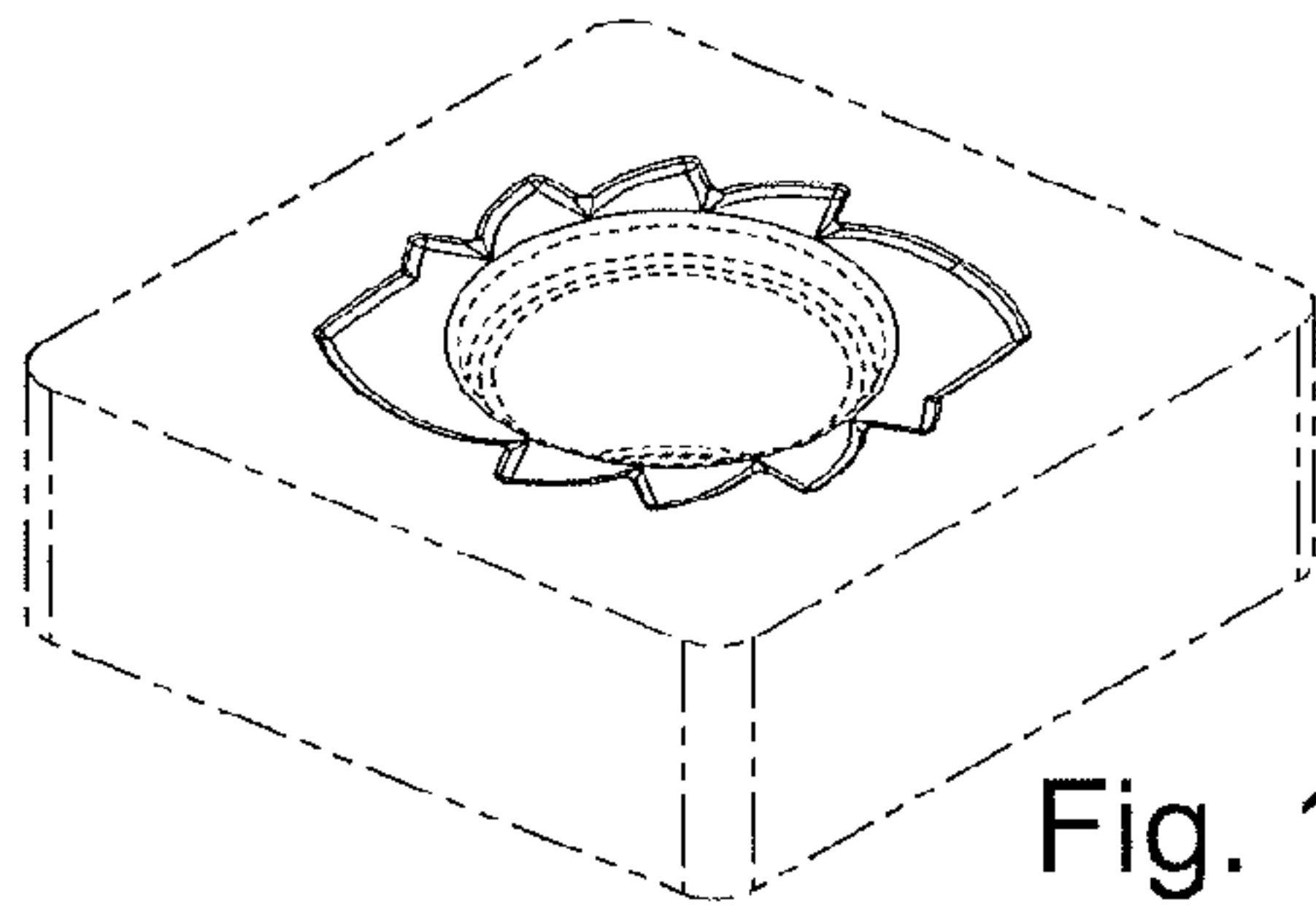


Fig. 1

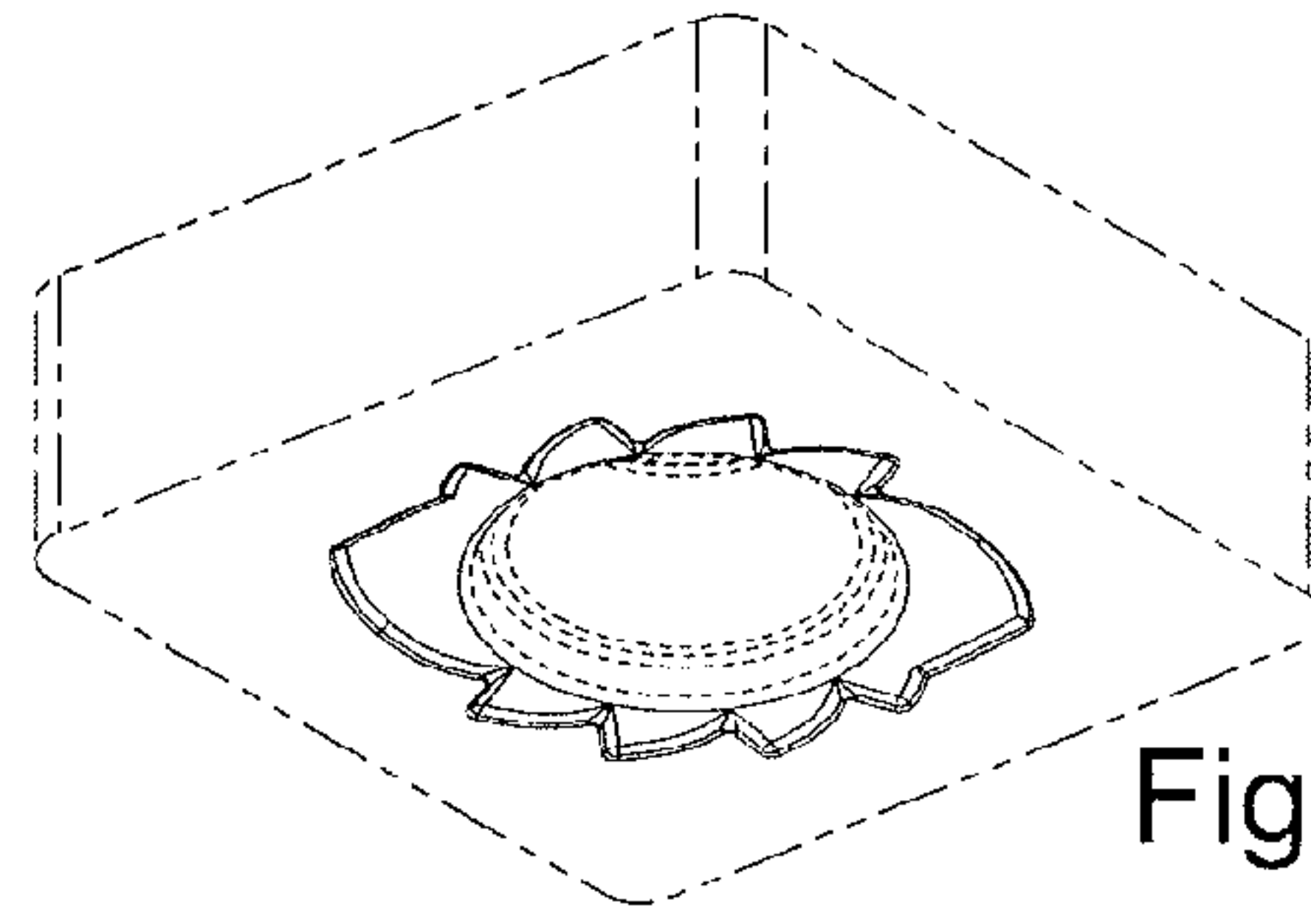


Fig. 2

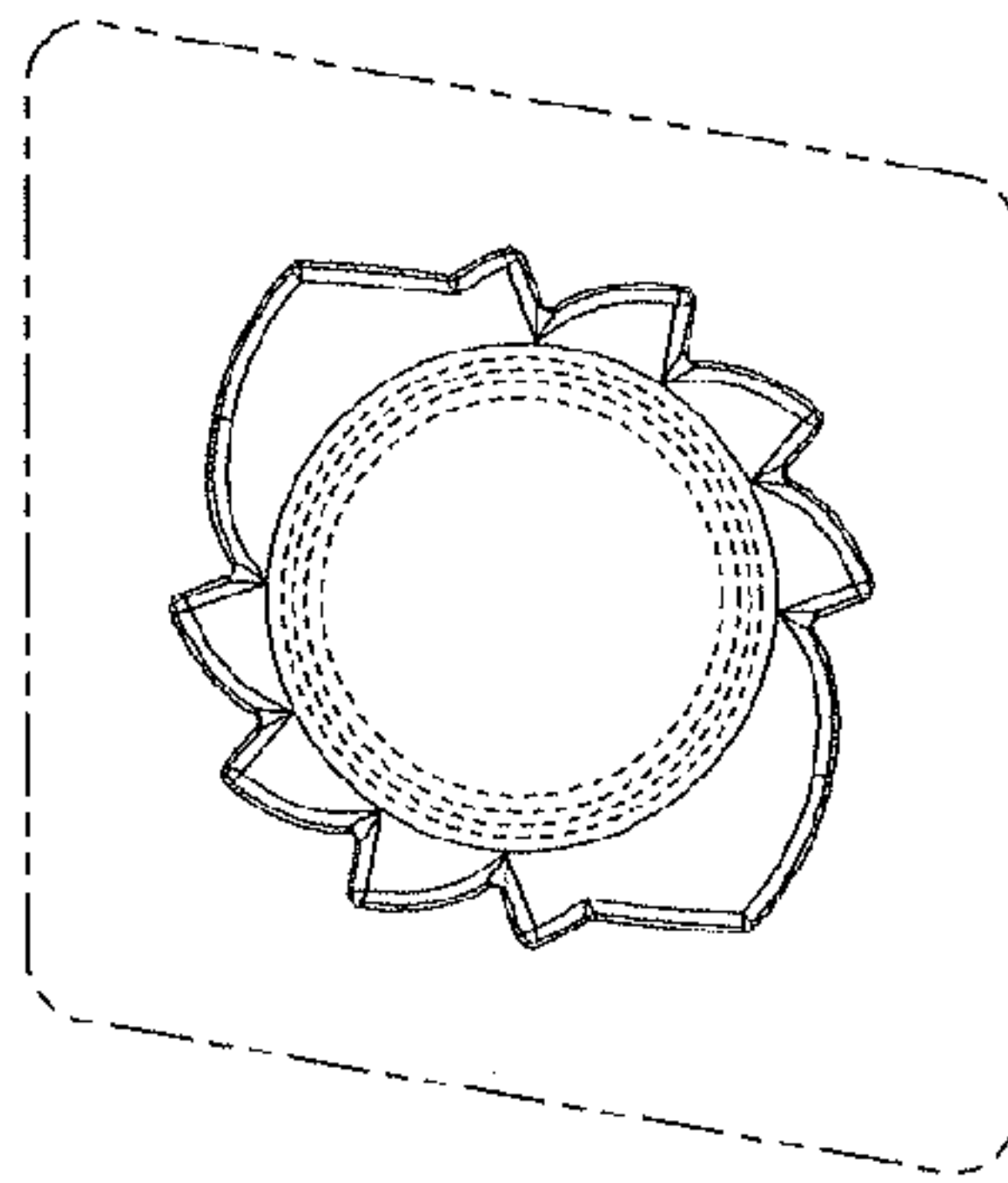


Fig. 3



Fig. 4



Fig. 5



Fig. 6

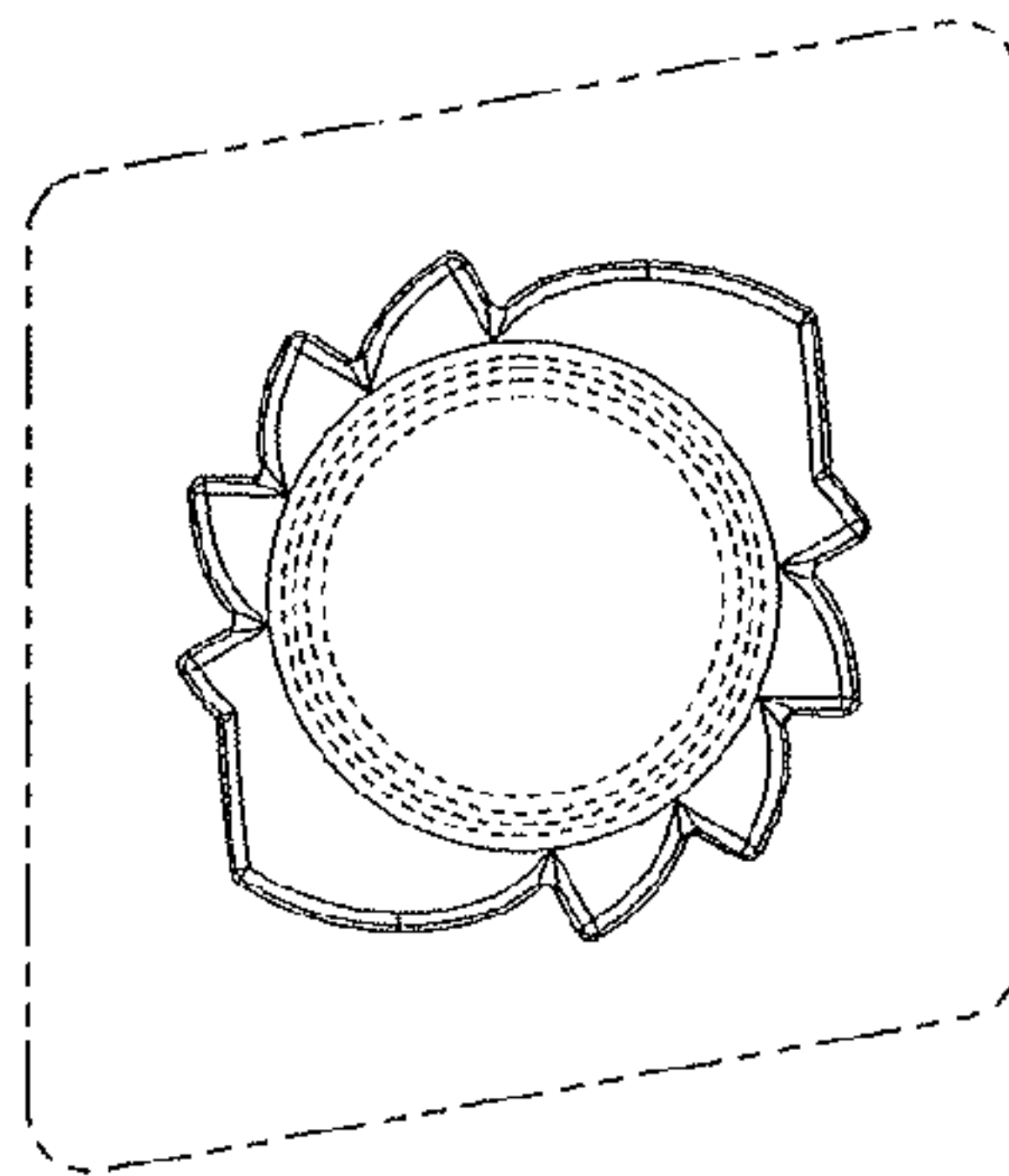


Fig. 7



Fig. 8