



US00D644254S

(12) **United States Design Patent**
Tseng

(10) **Patent No.:** **US D644,254 S**

(45) **Date of Patent:** **** Aug. 30, 2011**

(54) **SEWING MACHINE**

(75) Inventor: **Shui-Chun Tseng**, Taichung Hsien
(TW)

(73) Assignee: **Zeng Hsing Industrial Co., Ltd.**,
Taiping, Taichung Hsien (TW)

(**) Term: **14 Years**

(21) Appl. No.: **29/380,363**

(22) Filed: **Dec. 3, 2010**

(51) **LOC (9) Cl.** **15-76**

(52) **U.S. Cl.** **D15/70**

(58) **Field of Classification Search** D15/66,
D15/67, 68, 69, 70; 112/258-261, 475.01
See application file for complete search history.

(56) **References Cited**

U.S. PATENT DOCUMENTS

D524,829 S *	7/2006	Muto	D15/69
D526,337 S *	8/2006	Kuroki	D15/70
D527,394 S *	8/2006	Rosenzweig	D15/70
D529,054 S *	9/2006	Hosoi et al.	D15/69
D534,930 S *	1/2007	Hosoi et al.	D15/69
D556,220 S *	11/2007	Friedrich	D15/69
D578,552 S *	10/2008	Inada	D15/69
D578,554 S *	10/2008	Inada	D15/70

D579,030 S *	10/2008	Woehrle	D15/70
D579,466 S *	10/2008	Kanai	D15/70
D580,955 S *	11/2008	Woehrle	D15/70
D620,504 S *	7/2010	Hattori	D15/69
D628,605 S *	12/2010	Mutoh	D15/69
D628,606 S *	12/2010	Kanai	D15/70

* cited by examiner

Primary Examiner — Shanda C Hill

(74) *Attorney, Agent, or Firm* — Ladas & Parry LLP

(57) **CLAIM**

The ornamental design for sewing machine, as shown and described.

DESCRIPTION

FIG. 1 is a perspective view of sewing machine showing my new design;

FIG. 2 is a front elevational view thereof;

FIG. 3 is a rear elevational view thereof;

FIG. 4 is a left side elevational view thereof;

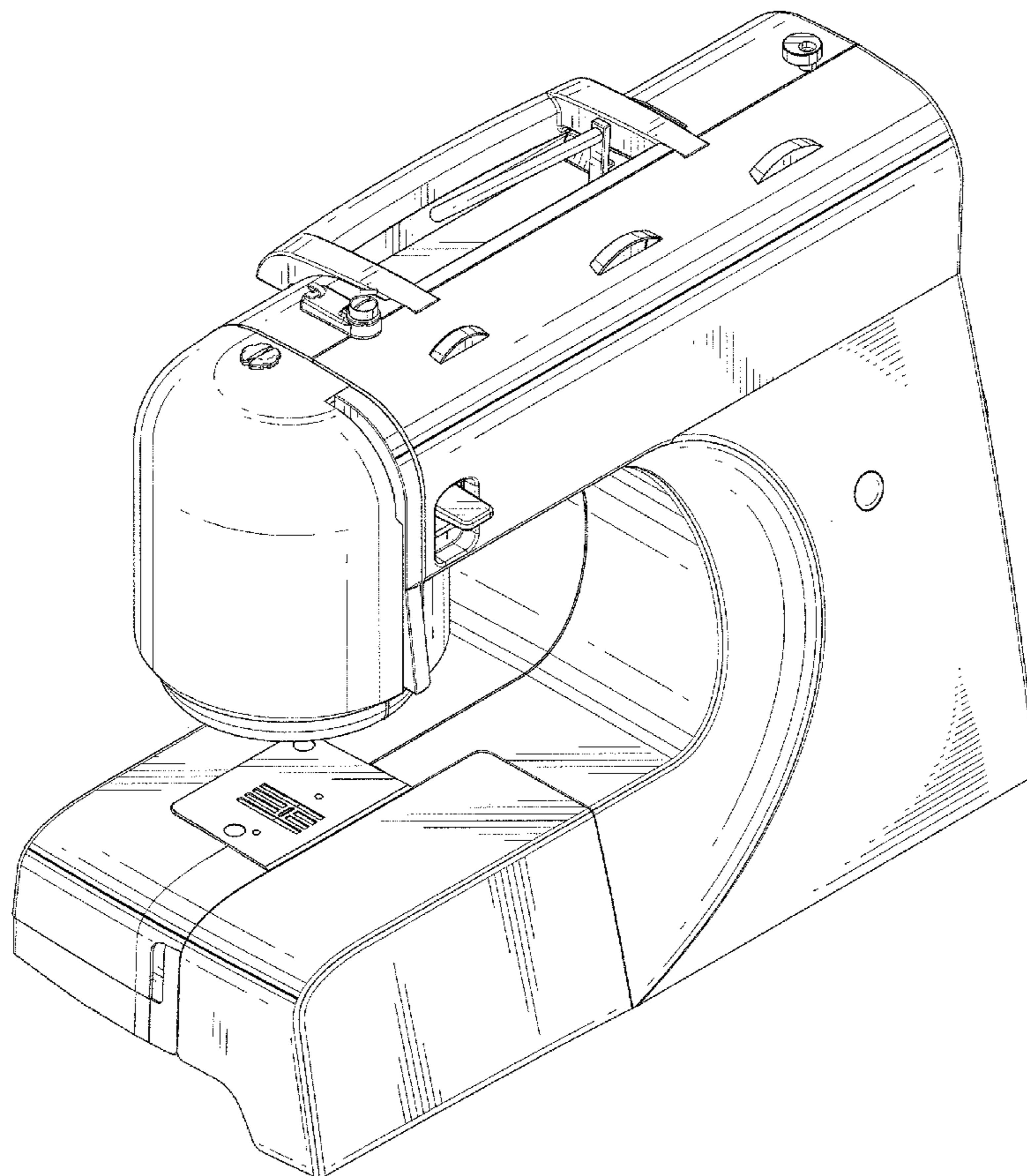
FIG. 5 is a right side elevational view thereof;

FIG. 6 is a top plan view thereof; and,

FIG. 7 is a bottom plan view thereof.

The broken lines shown in the drawing disclosure are for illustrative purposes only and form no part of the claimed design.

1 Claim, 7 Drawing Sheets



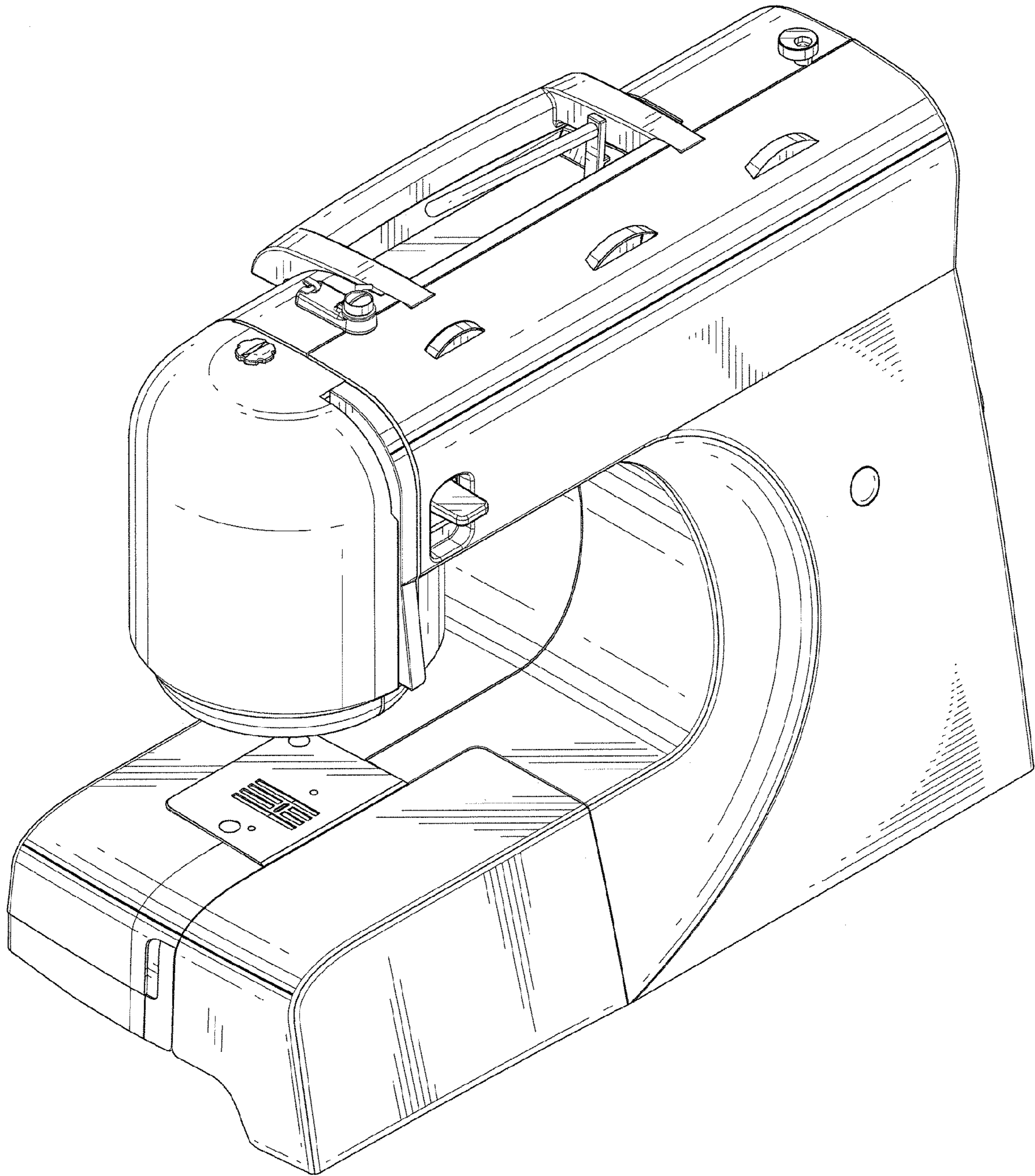


FIG. 1

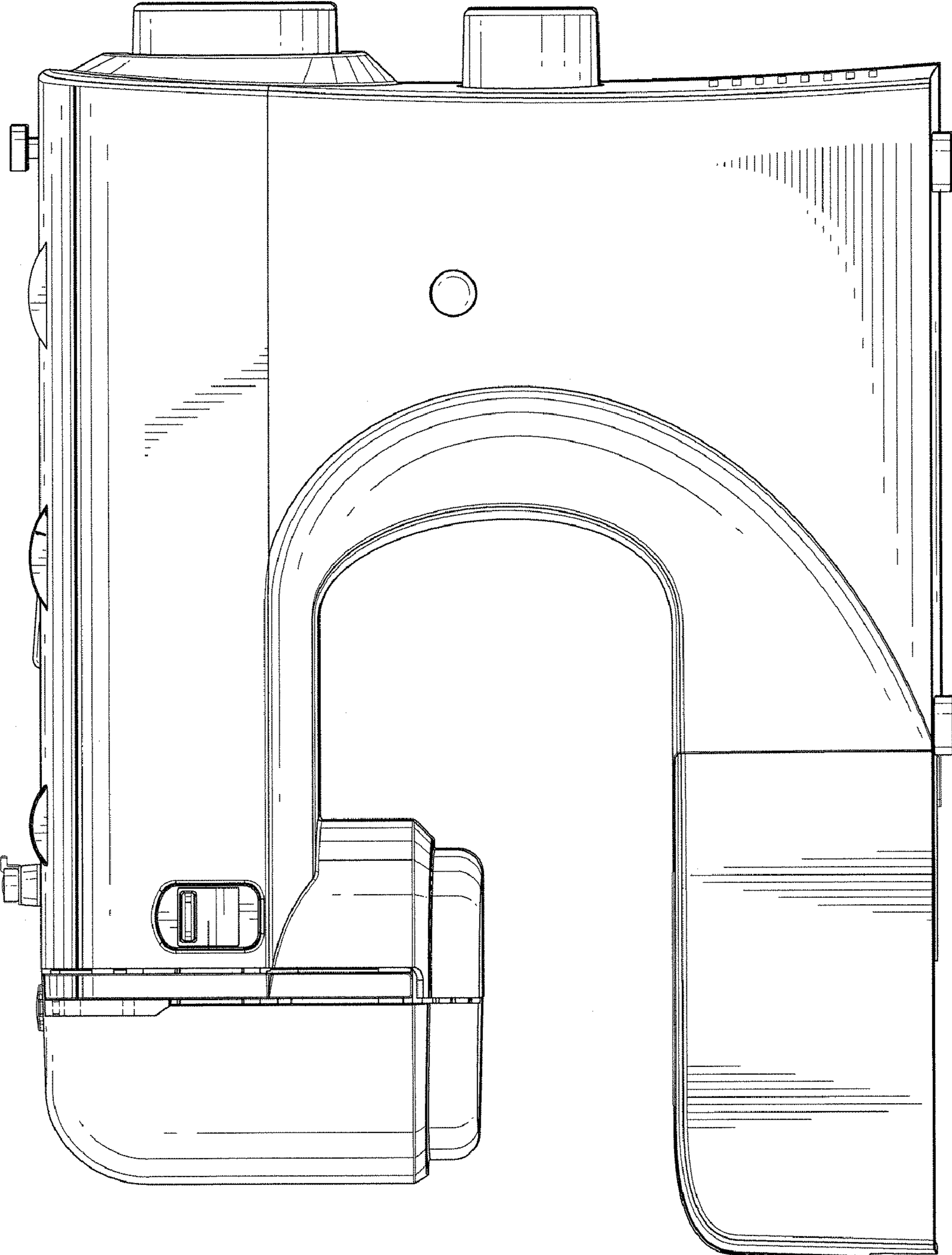


FIG. 2

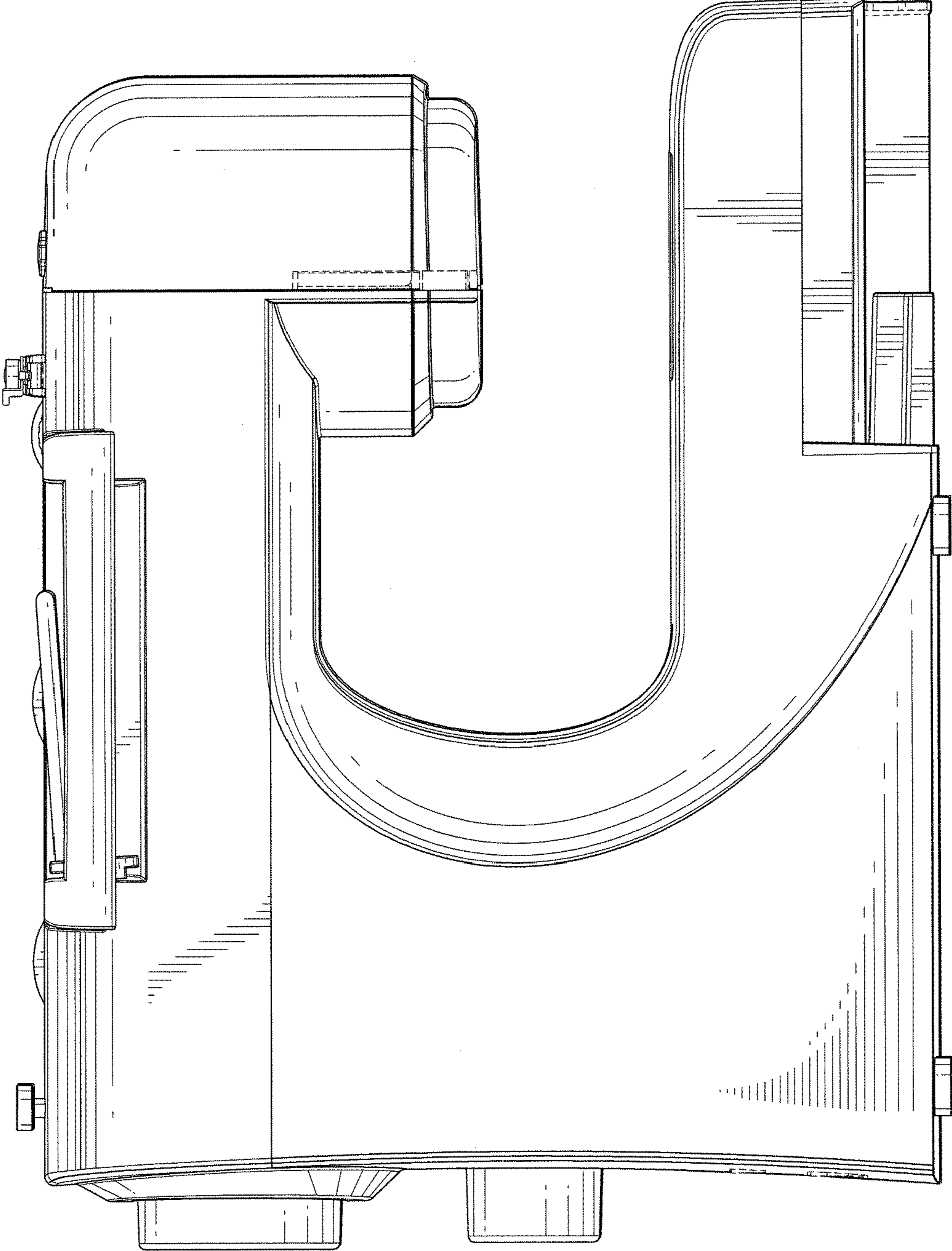


FIG. 3

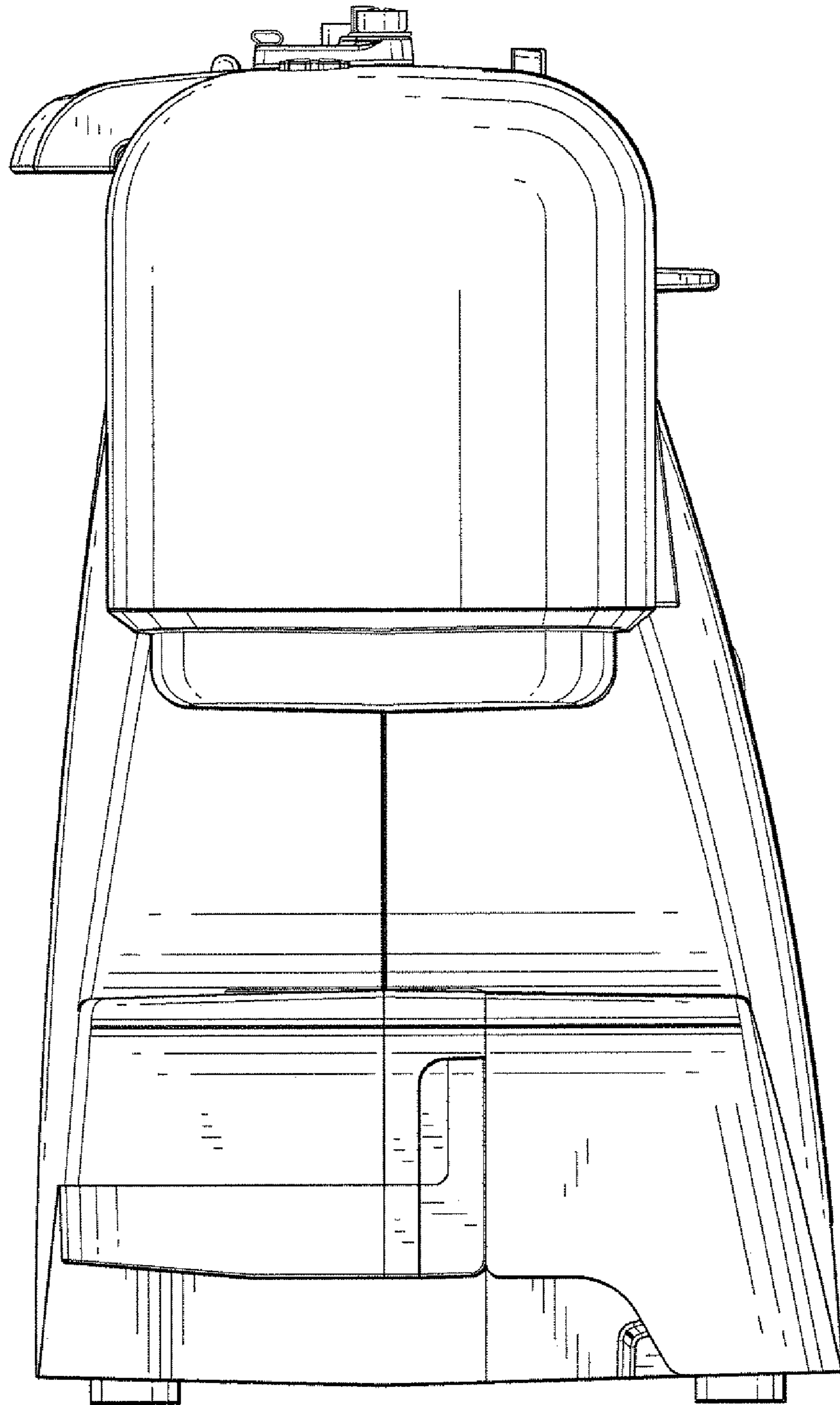


FIG. 4

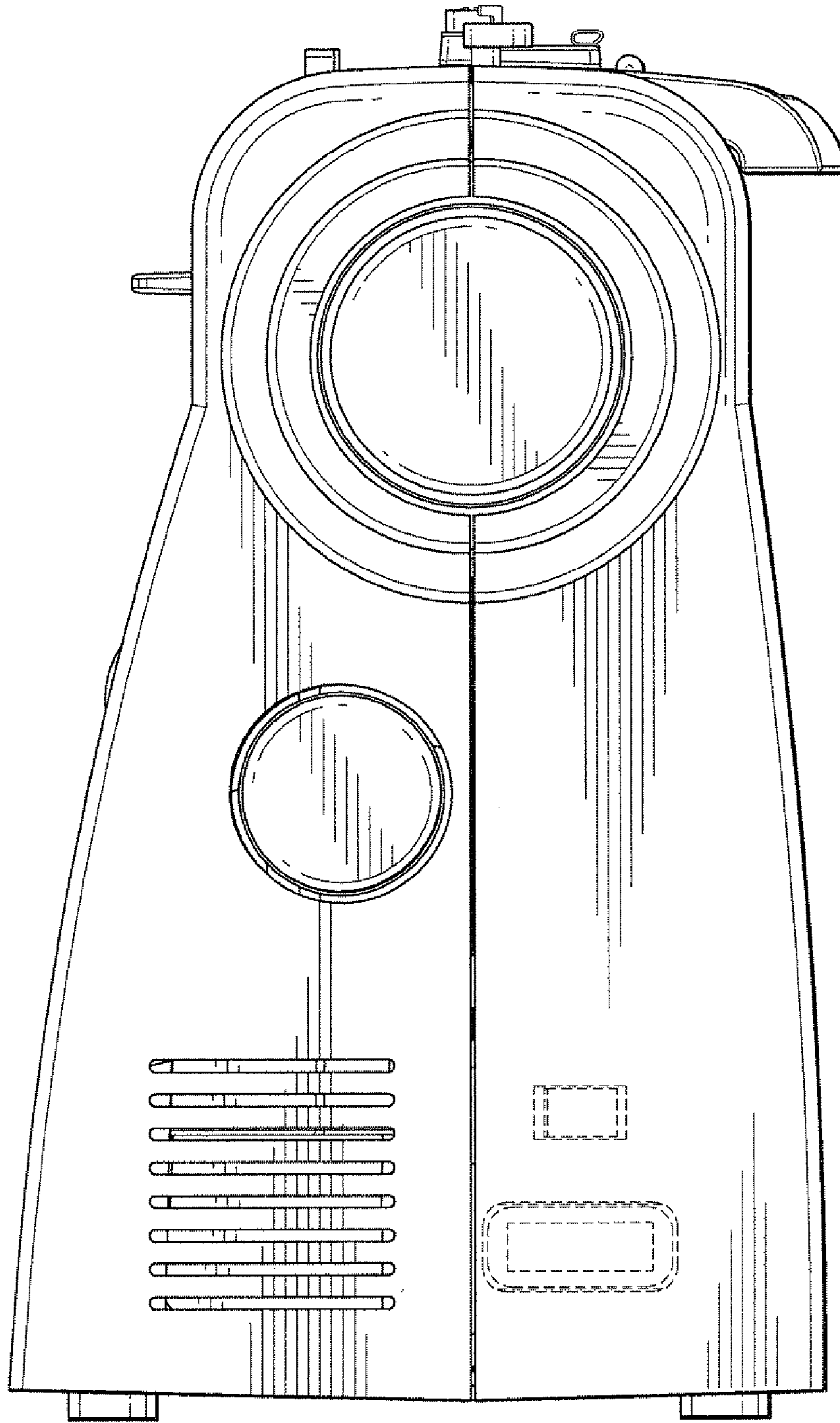


FIG. 5

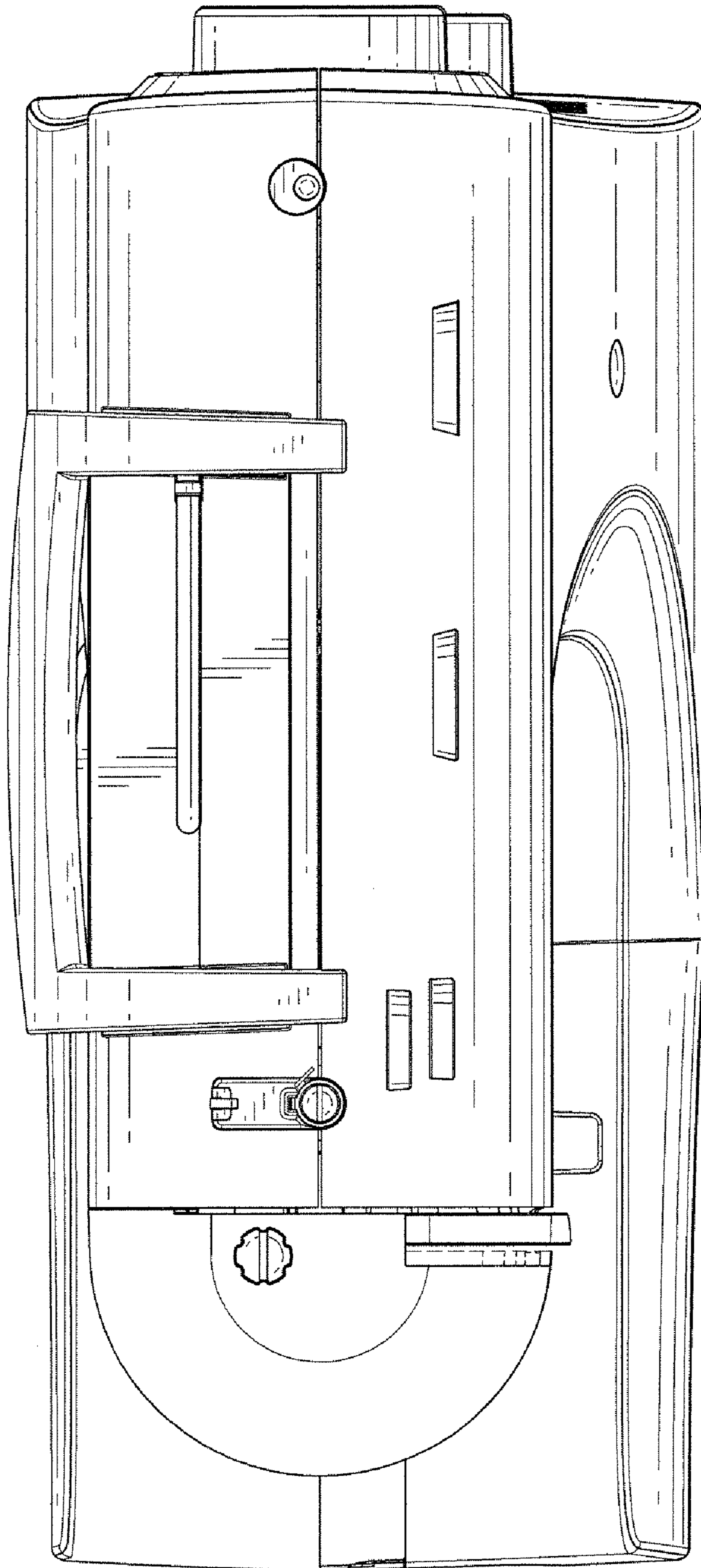


FIG. 6

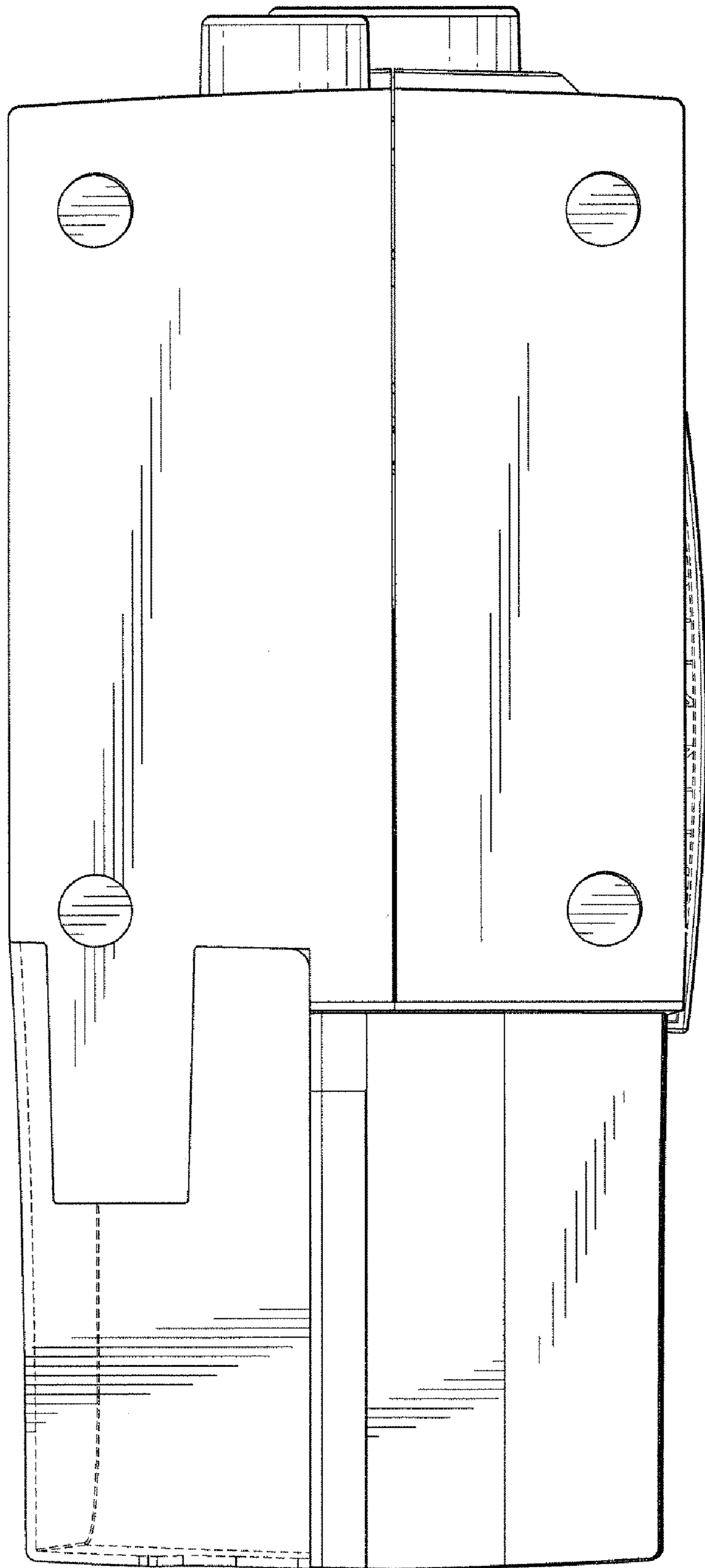


FIG. 7