



US00D644252S

(12) **United States Design Patent**
Kojima

(10) **Patent No.:** **US D644,252 S**

(45) **Date of Patent:** **** Aug. 30, 2011**

(54) **COMPRESSOR**

(75) Inventor: **Yoshihide Kojima**, Kobe (JP)

(73) Assignee: **Sumitomo Rubber Industries, Ltd.**,
Kobe (JP)

(**) Term: **14 Years**

(21) Appl. No.: **29/380,470**

(22) Filed: **Dec. 6, 2010**

(30) **Foreign Application Priority Data**

Jun. 7, 2010 (JP) 2010-013925

(51) **LOC (9) Cl.** **15-02**

(52) **U.S. Cl.** **D15/9**

(58) **Field of Classification Search** D15/7-9;
D23/231, 232, 225; 417/60, 235, 265, 321,
417/355, 358, 363, 359, 410.1, 415-416,
417/405, 900; 60/408, 412; 184/26-37;
415/140-147; 123/495, 509

See application file for complete search history.

(56) **References Cited**

U.S. PATENT DOCUMENTS

D398,011 S * 9/1998 Wang D15/9
D406,150 S * 2/1999 Wang D15/9
D498,243 S * 11/2004 Chou D15/7

D498,767 S * 11/2004 Chou D15/7
D499,426 S * 12/2004 Chou D15/7
D507,581 S * 7/2005 Wong D15/9
D514,127 S * 1/2006 Christianson D15/9
D541,823 S * 5/2007 Wang D15/9
D548,751 S * 8/2007 Snider D15/7
D582,945 S * 12/2008 Chou D15/9
D590,841 S * 4/2009 Muhlenberend D15/7
D626,571 S * 11/2010 Eckhardt D15/9
D627,795 S * 11/2010 Eckhardt
D629,424 S * 12/2010 Eckhardt

* cited by examiner

Primary Examiner — Ralf Seifert

(74) *Attorney, Agent, or Firm* — Birch, Stewart, Kolasch &
Birch, LLP

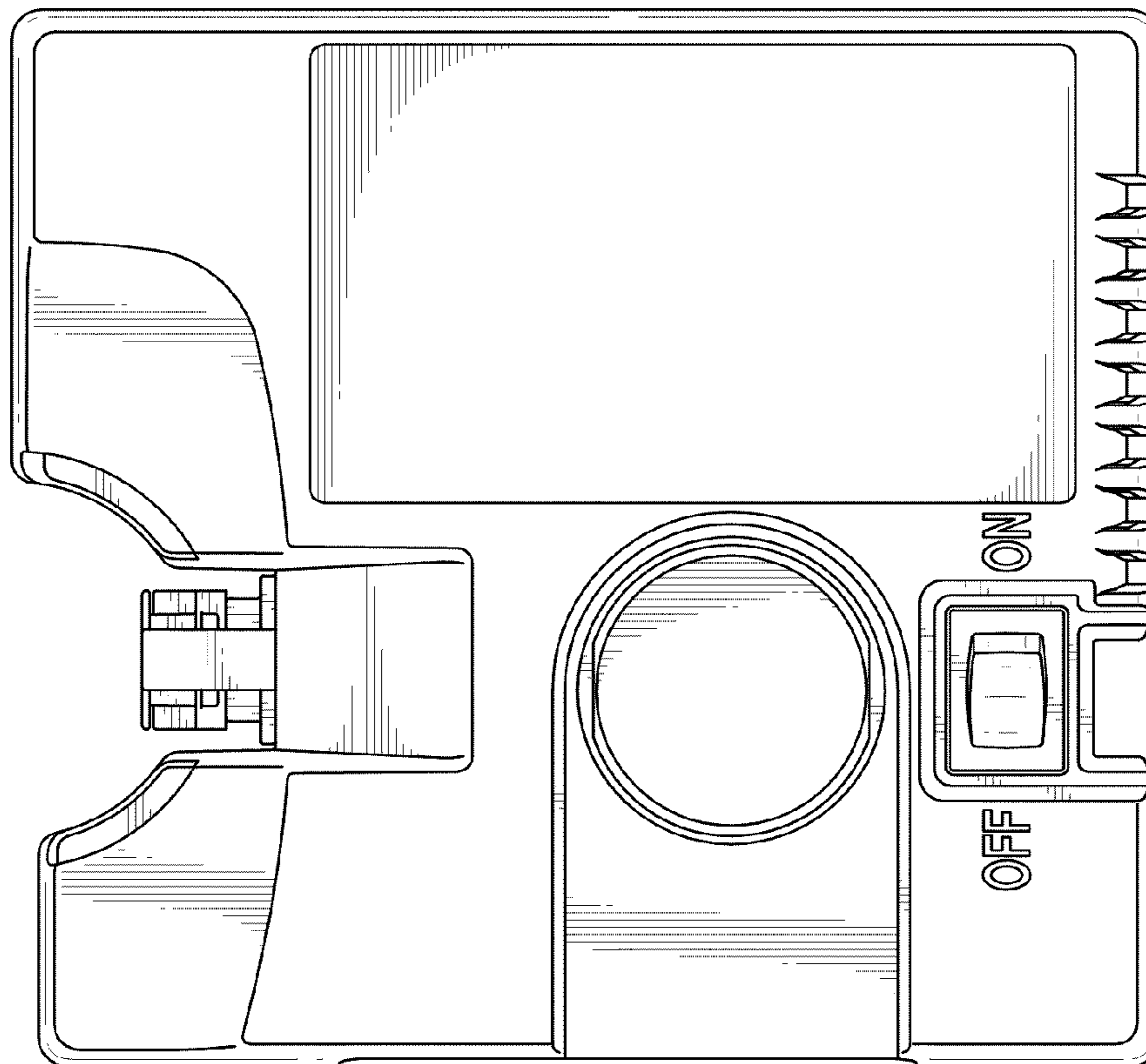
(57) **CLAIM**

The ornamental design for a compressor, as shown and described.

DESCRIPTION

FIG. 1 is a top view of a compressor showing my new design;
FIG. 2 is a bottom view thereof;
FIG. 3 is a right side view thereof;
FIG. 4 is a left side view thereof;
FIG. 5 is a rear view thereof;
FIG. 6 is a front view thereof;
FIG. 7 is a front, right perspective view thereof; and,
FIG. 8 is front, left perspective view thereof.

1 Claim, 6 Drawing Sheets



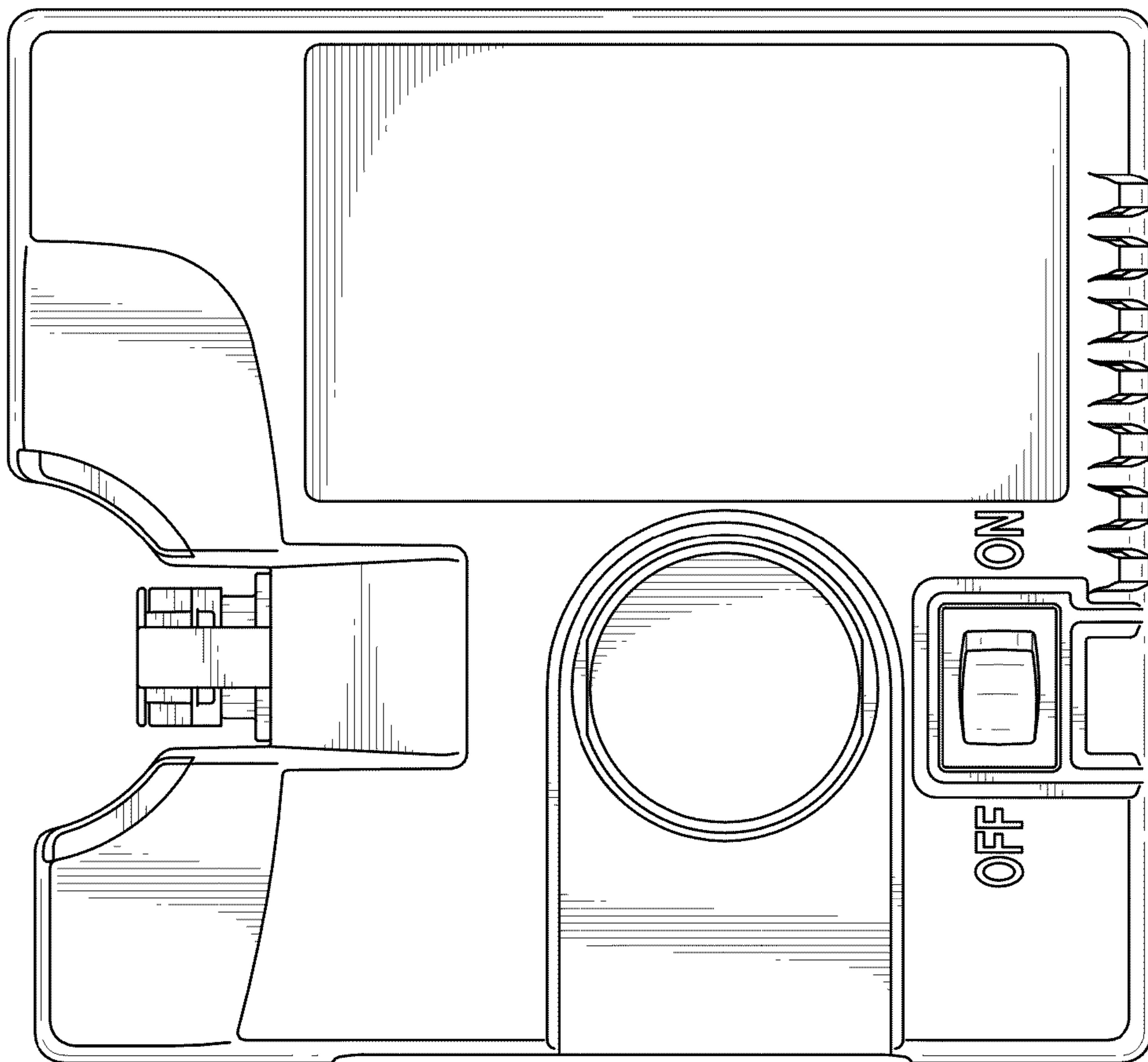


FIG.1

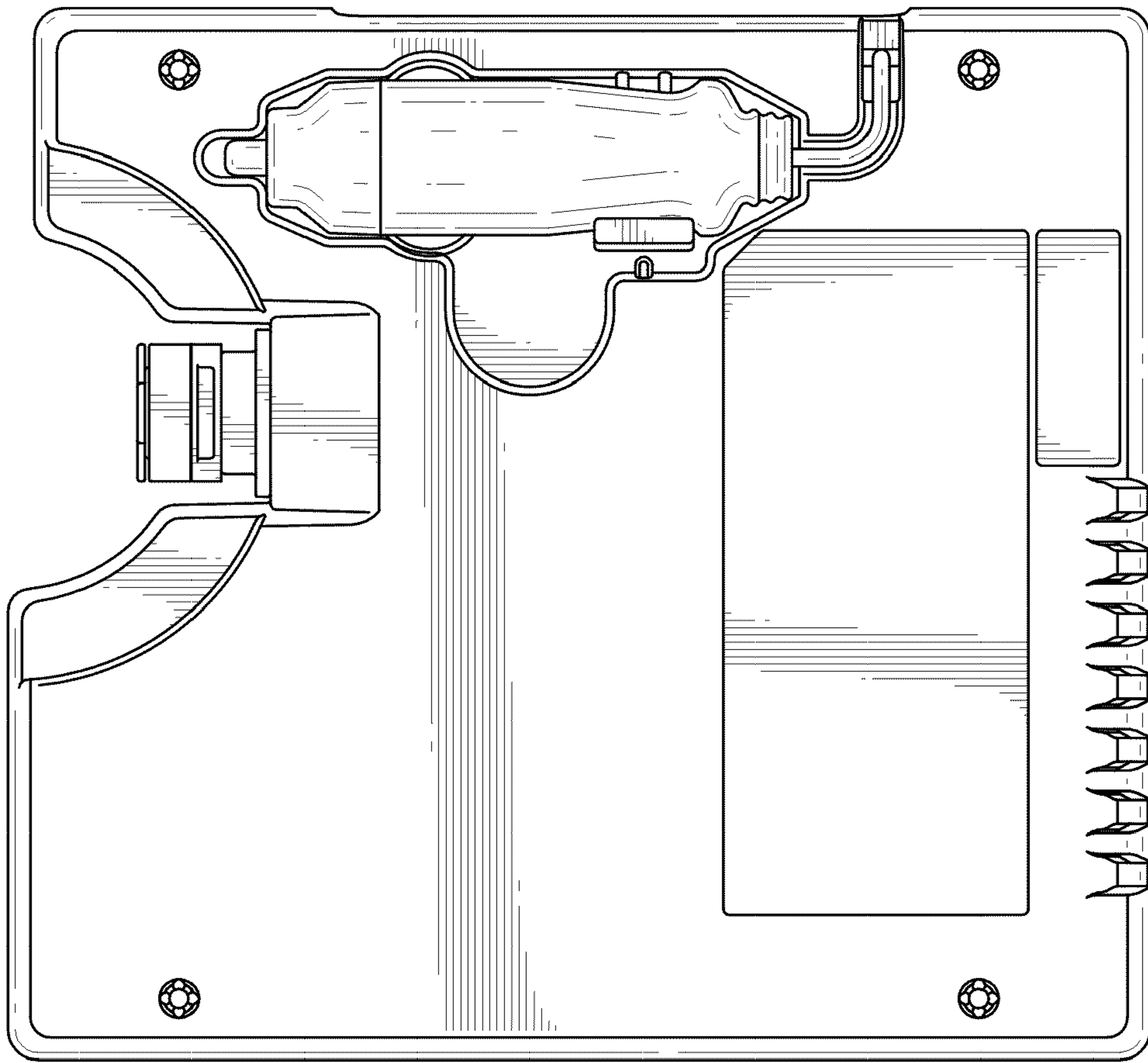


FIG. 2

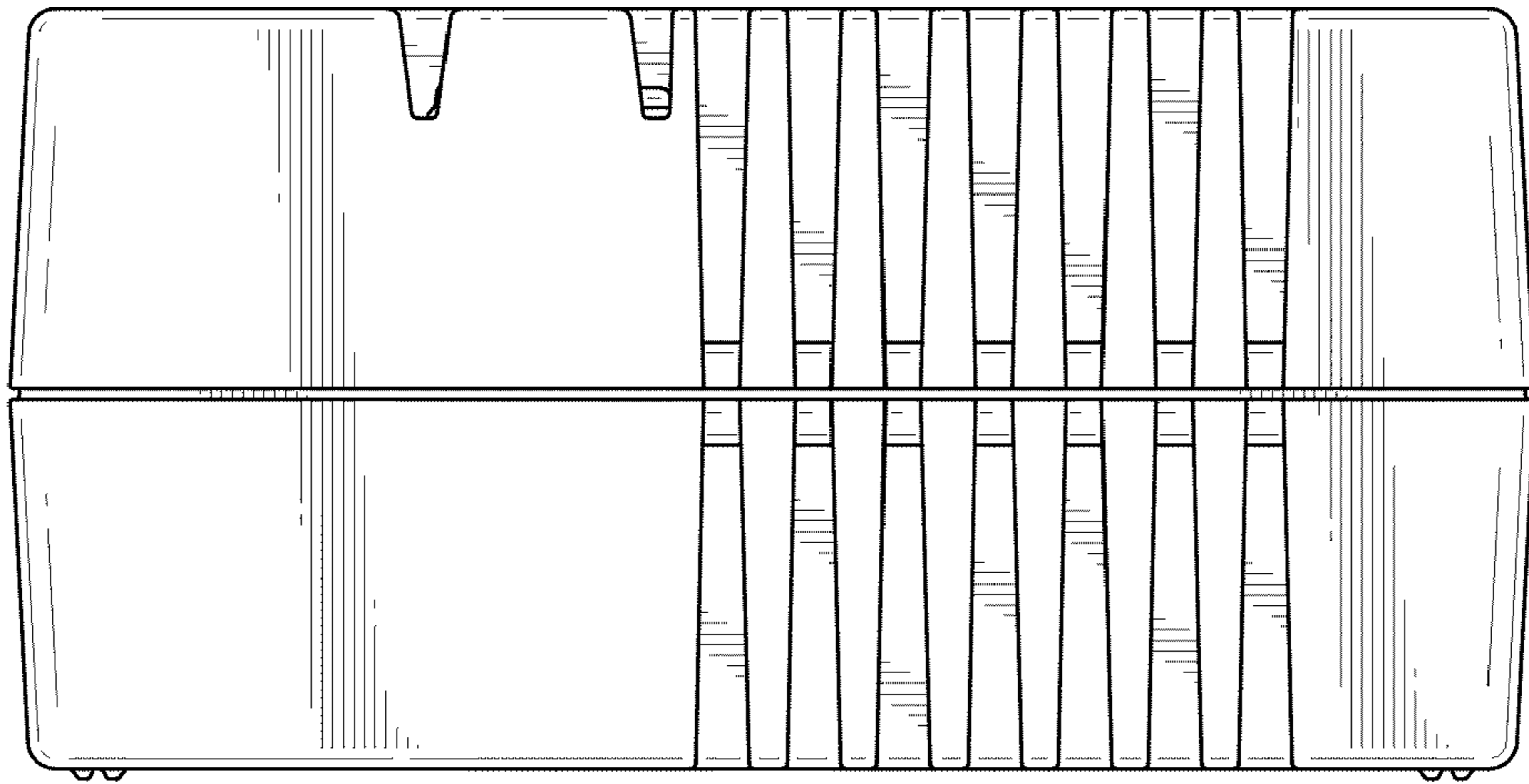


FIG. 3

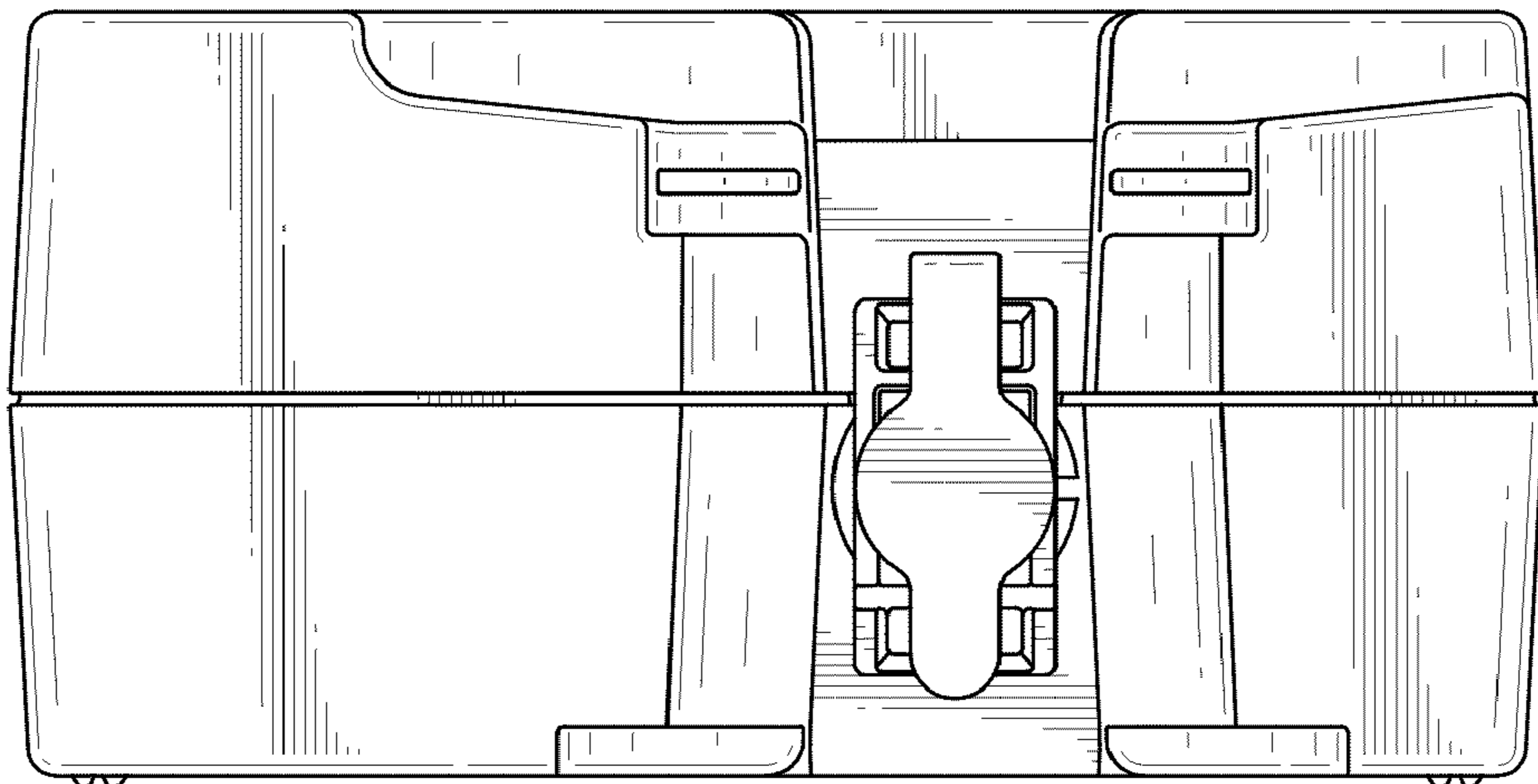


FIG. 4

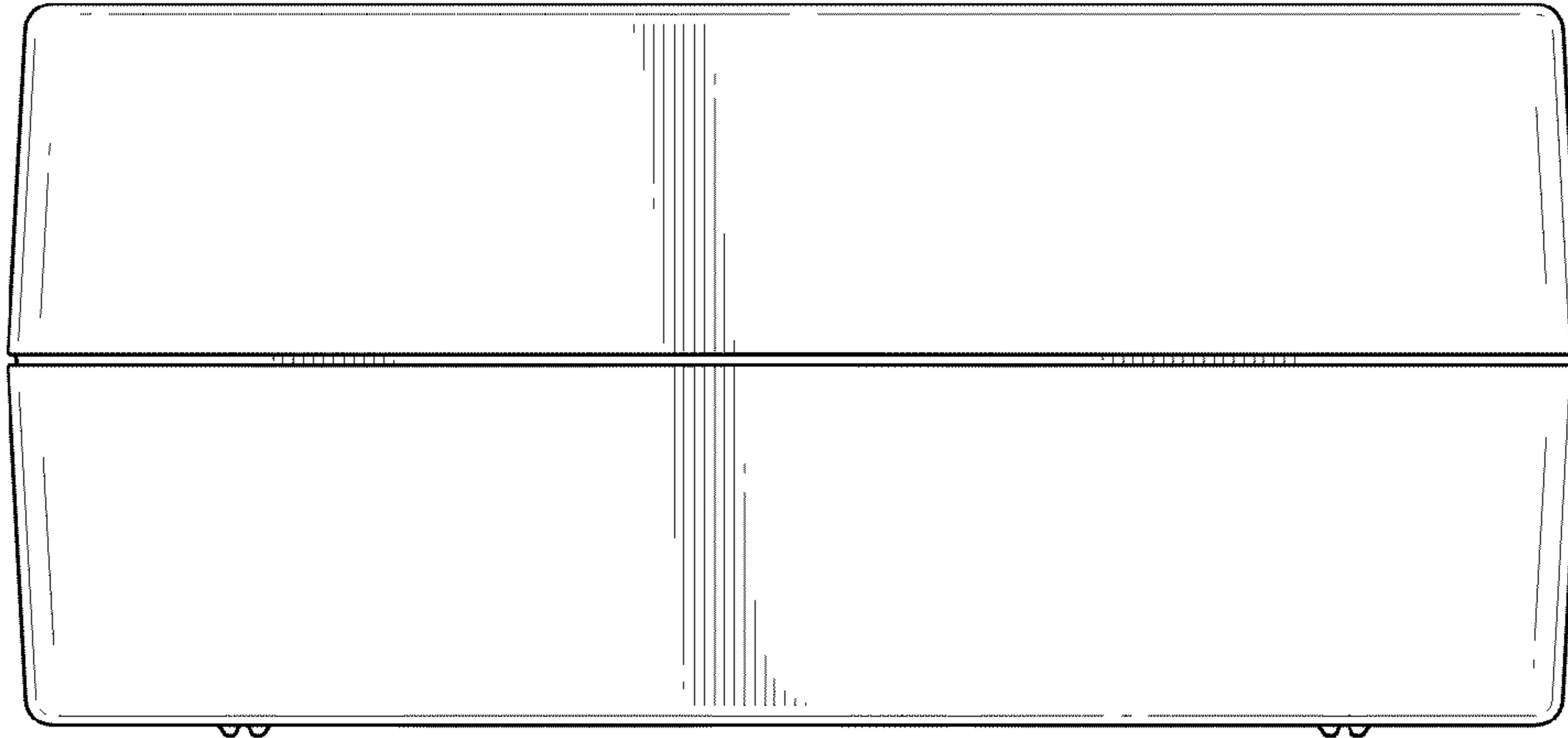


FIG. 5

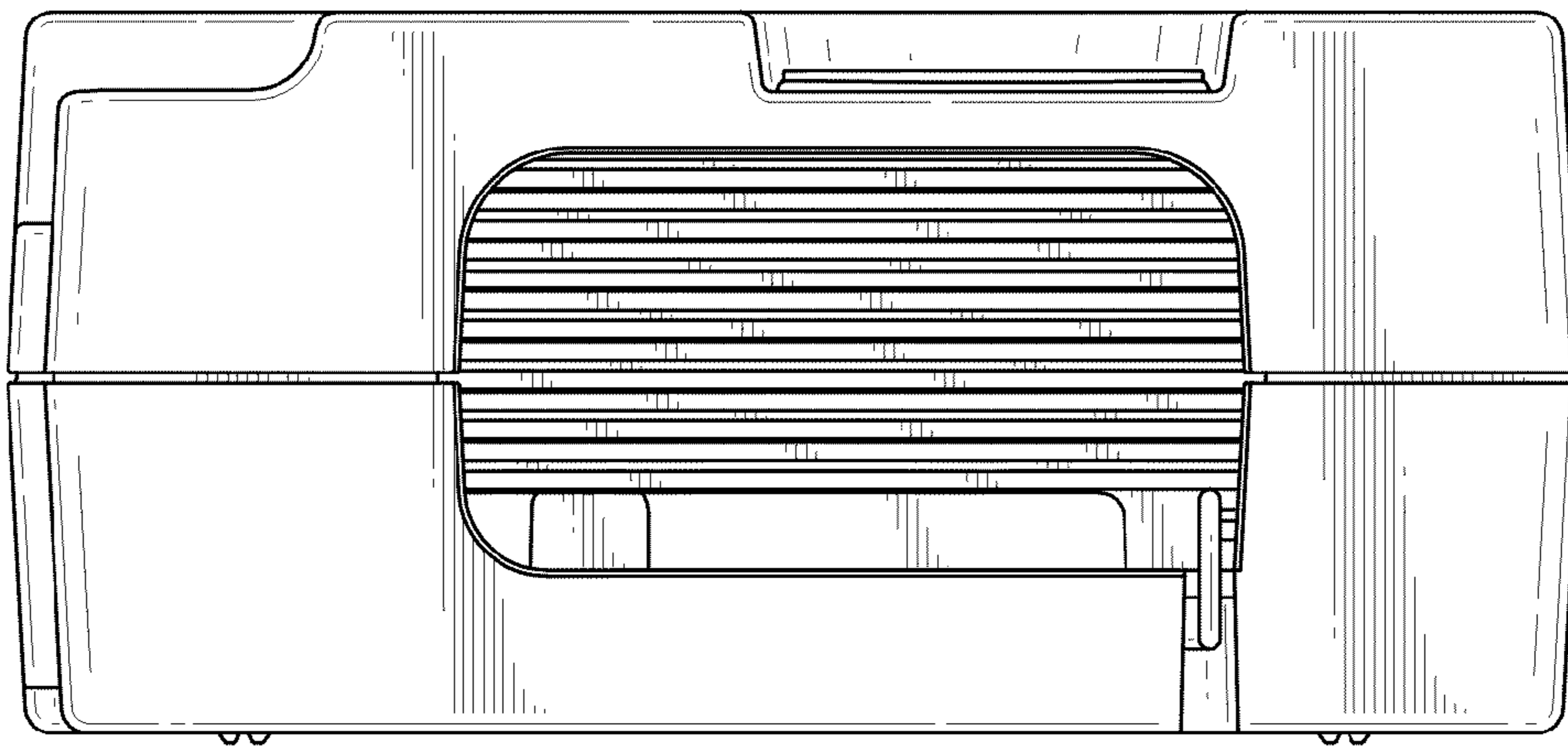


FIG. 6

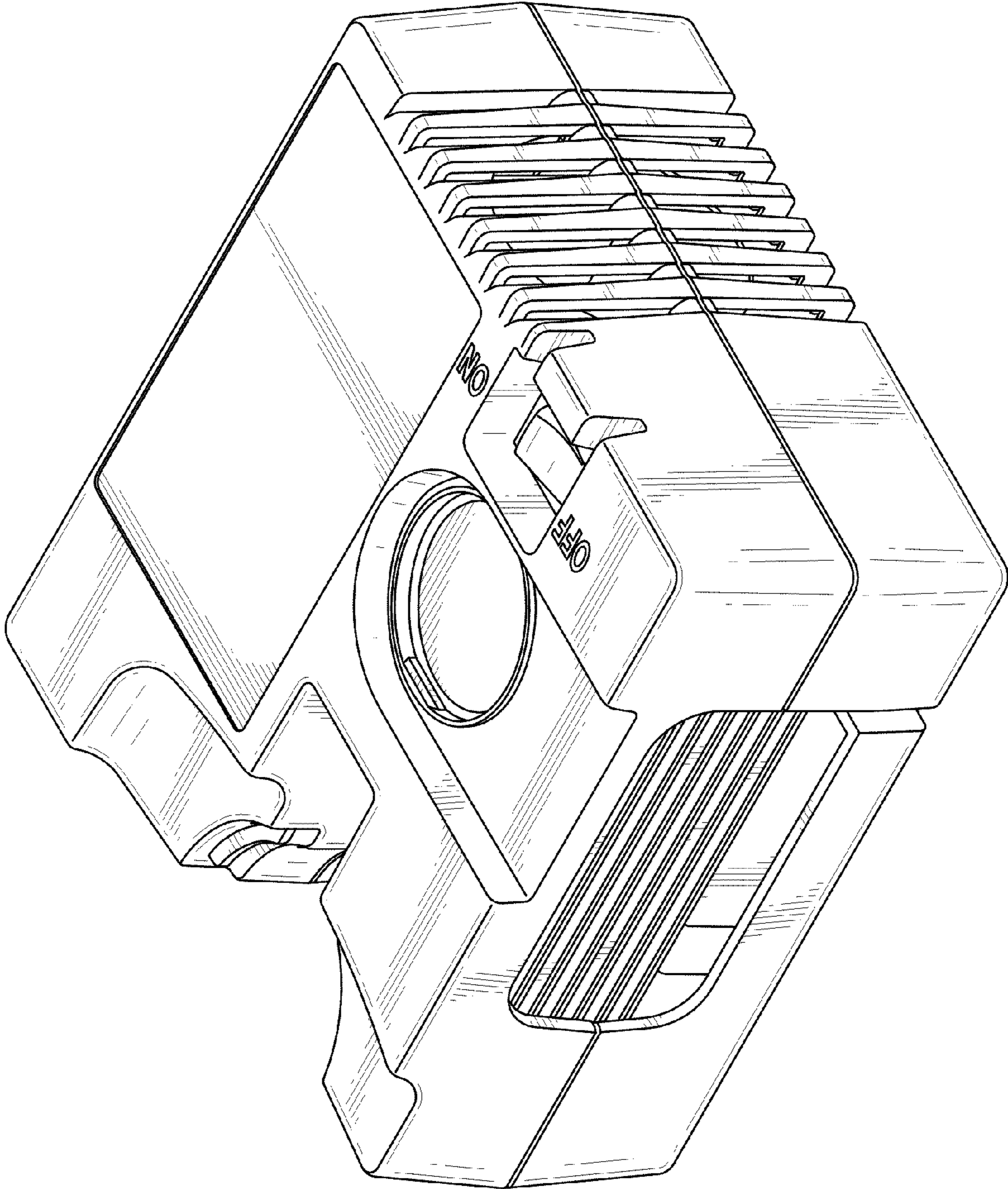


FIG.7

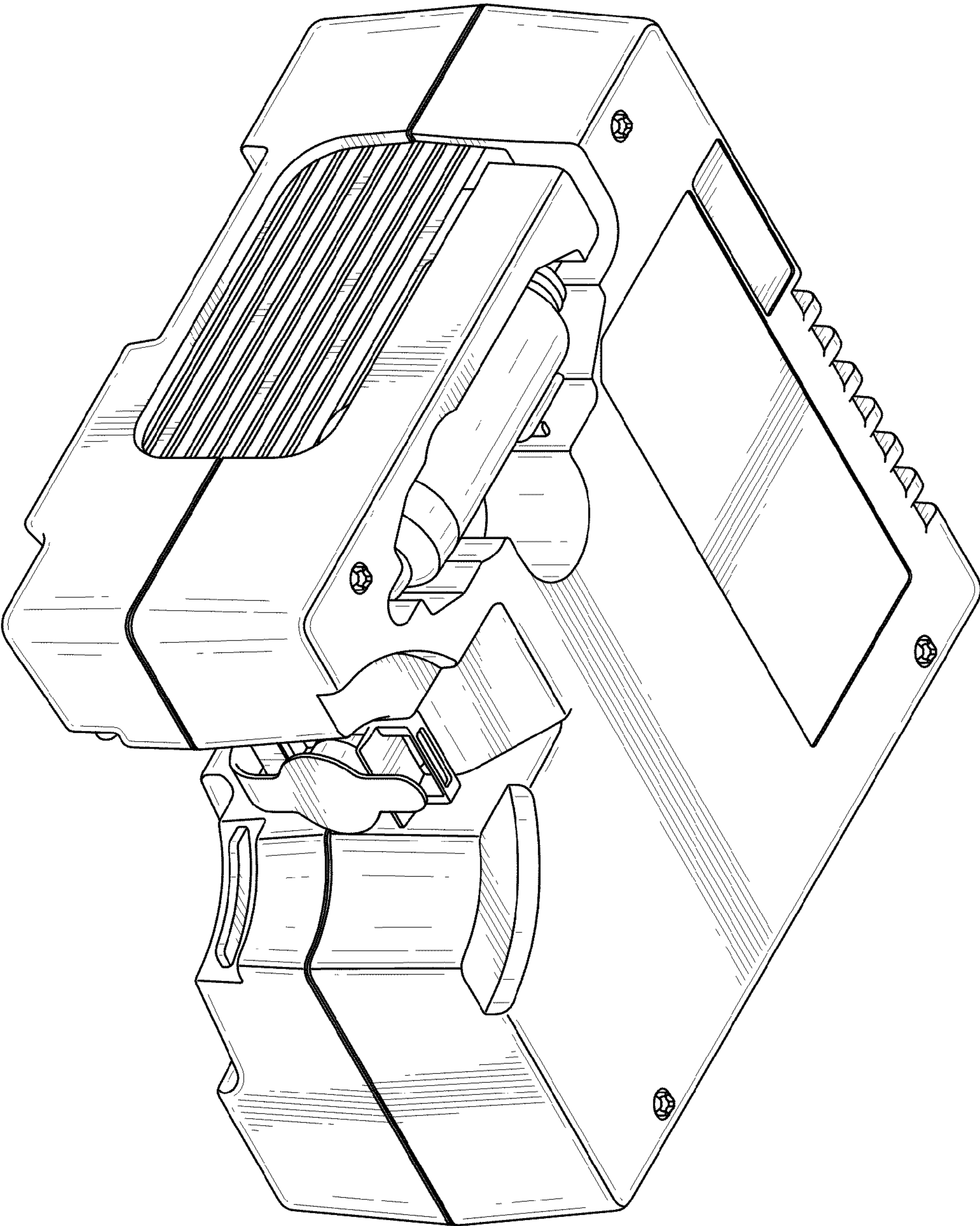


FIG. 8