



US00D644251S

(12) **United States Design Patent**
Serita

(10) **Patent No.:** **US D644,251 S**

(45) **Date of Patent:** **** Aug. 30, 2011**

(54) **SCROLL PUMP**

(75) Inventor: **Takashi Serita**, Tokyo (JP)

(73) Assignee: **Anest Iwata Corporation** (JP)

(**) Term: **14 Years**

(21) Appl. No.: **29/386,326**

(22) Filed: **Feb. 28, 2011**

(30) **Foreign Application Priority Data**

Aug. 31, 2010 (JP) 2010-020968

(51) **LOC (9) Cl.** **15-02**

(52) **U.S. Cl.** **D15/7**

(58) **Field of Classification Search** D15/7-9;
D23/231, 232, 225; 417/60, 235, 265, 321,
417/355, 358, 363, 359, 410.1, 415-416,
417/405, 900; 60/408, 412; 184/26-37;
415/140-147; 123/495, 509

See application file for complete search history.

(56) **References Cited**

U.S. PATENT DOCUMENTS

D377,938 S * 2/1997 Rozek D15/9
D388,439 S * 12/1997 Cantley et al. D15/7

D394,068 S * 5/1998 Pollrich et al. D15/9
D419,161 S * 1/2000 Broughton D15/7
D444,799 S * 7/2001 Thomas et al. D15/9
D470,509 S * 2/2003 Chen D15/9
D603,426 S * 11/2009 Hauser et al. D15/7

* cited by examiner

Primary Examiner — Ralf Seifert

(74) *Attorney, Agent, or Firm* — Ostrolenk Faber LLP

(57) **CLAIM**

The ornamental design for a scroll pump, as shown and described.

DESCRIPTION

FIG. 1 is a front perspective view of a scroll pump showing my new design;
FIG. 2 is a front elevational view thereof;
FIG. 3 is a rear view elevational thereof;
FIG. 4 is a right side view thereof;
FIG. 5 is a left side view thereof;
FIG. 6 is a top plan view thereof;
FIG. 7 is a bottom plan view thereof; and,
FIG. 8 is a cross-sectional view along line 8-8 in FIG. 4.
The broken lines in the drawings illustrate environmental material that forms no part of the claimed design.

1 Claim, 7 Drawing Sheets

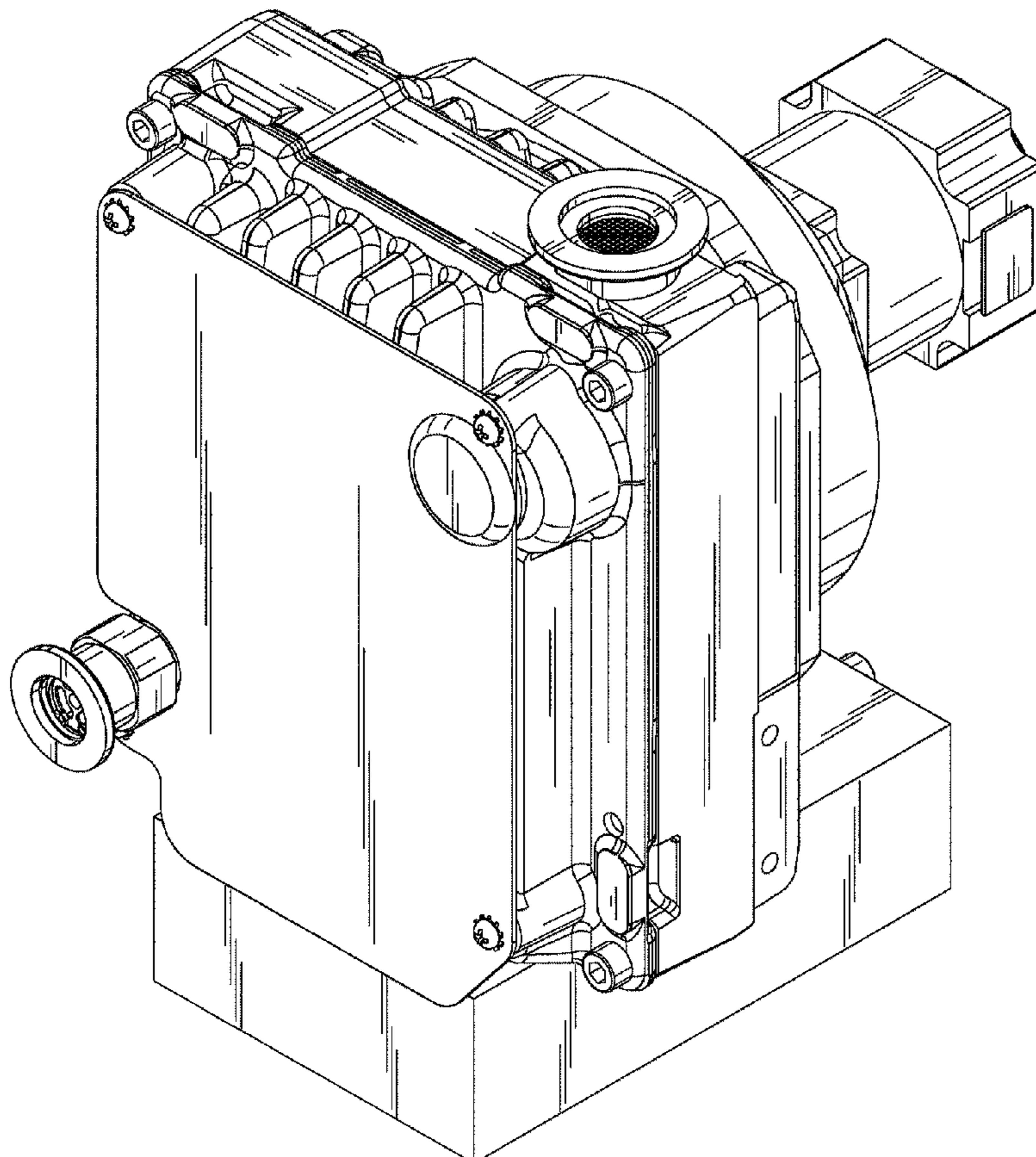


Fig. 1

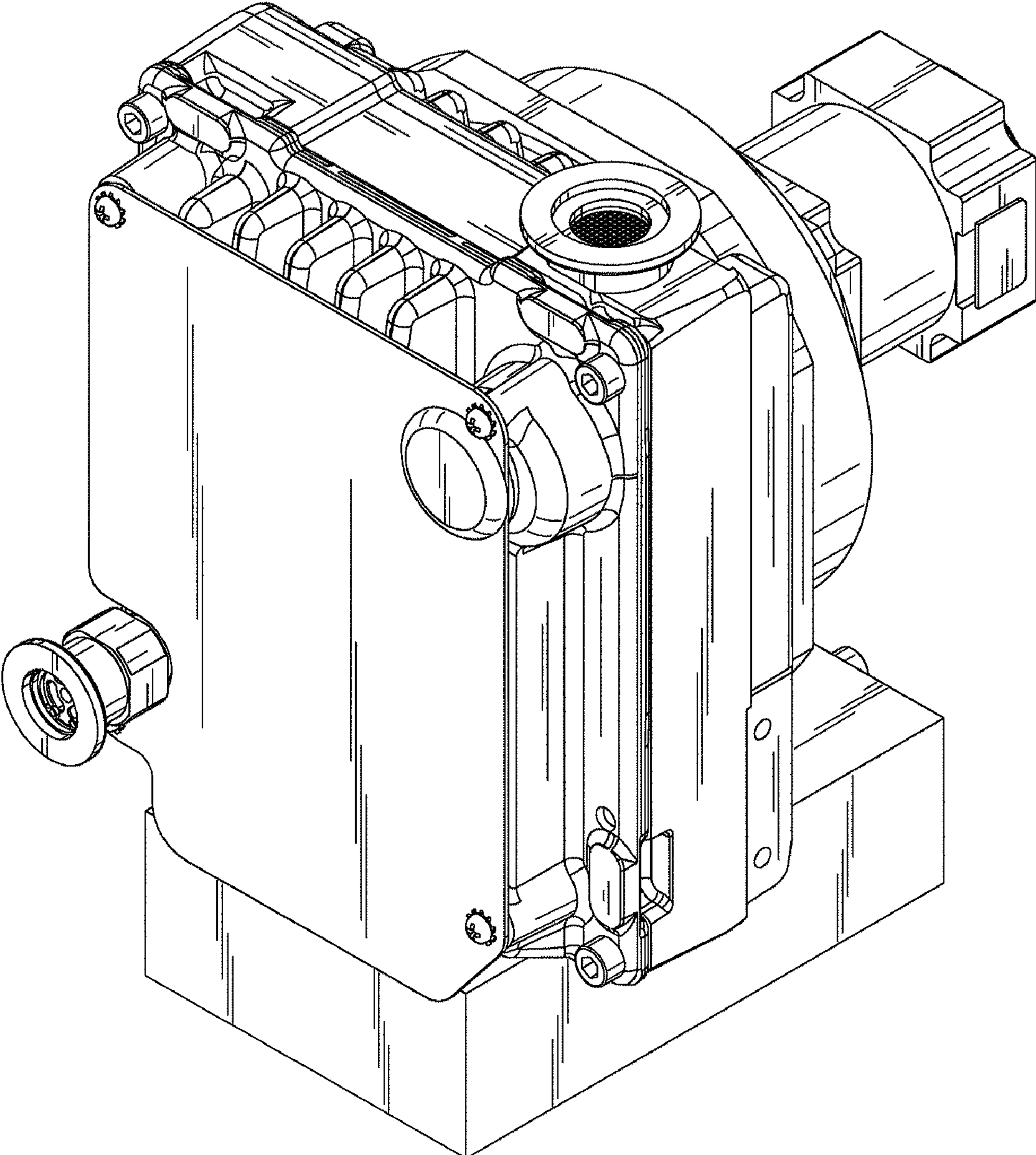


Fig. 2

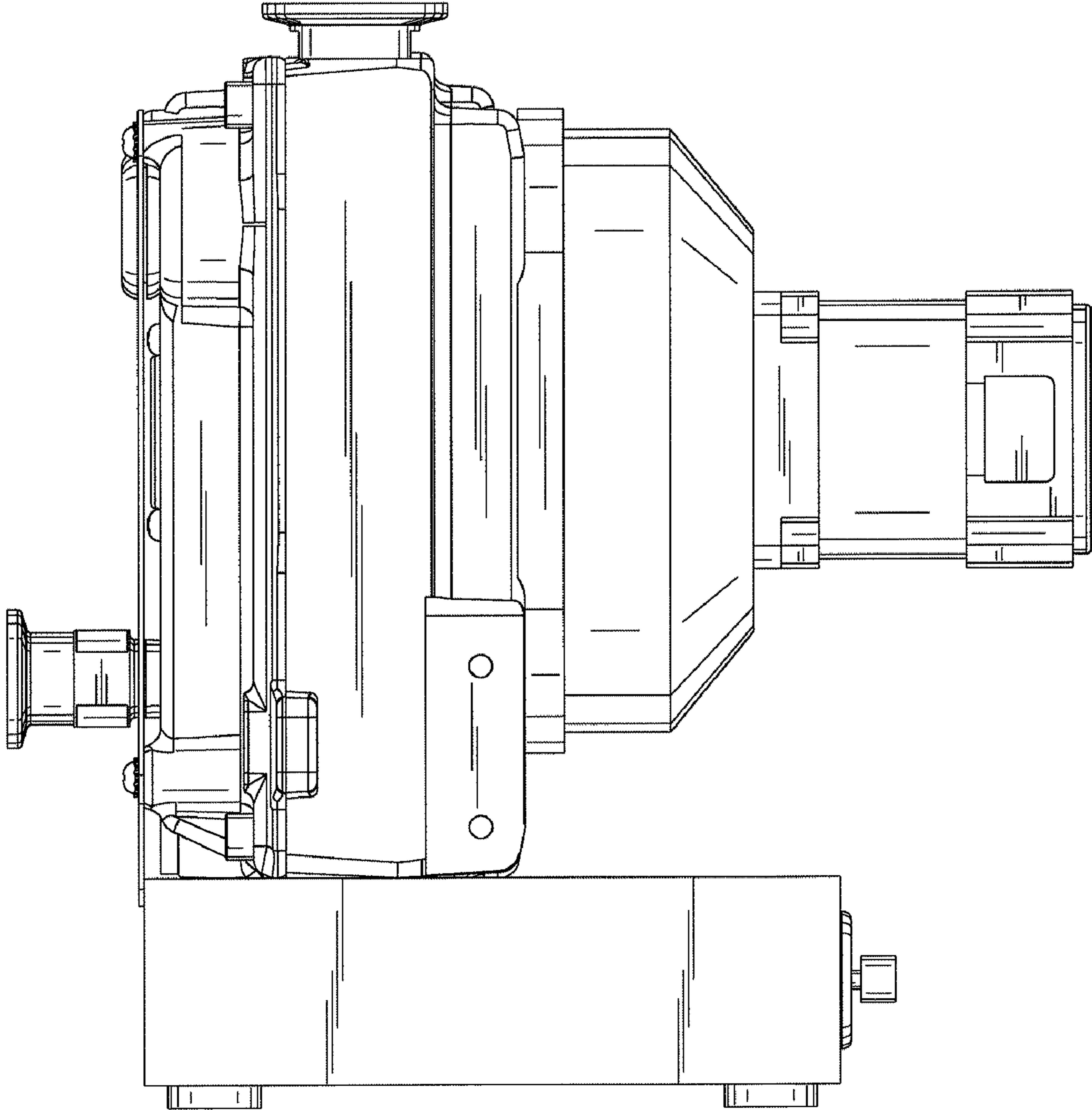


Fig. 3

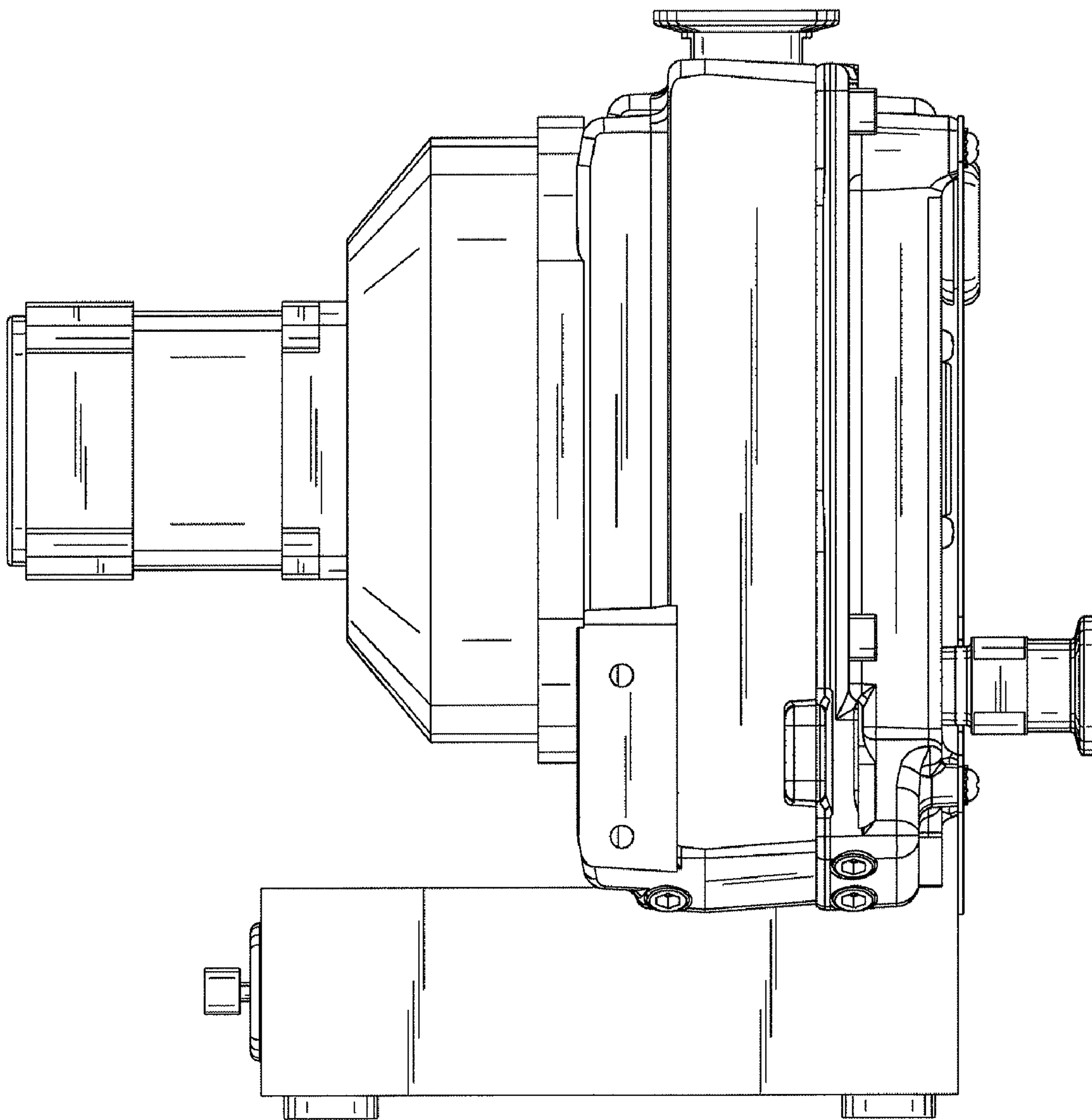


Fig. 4

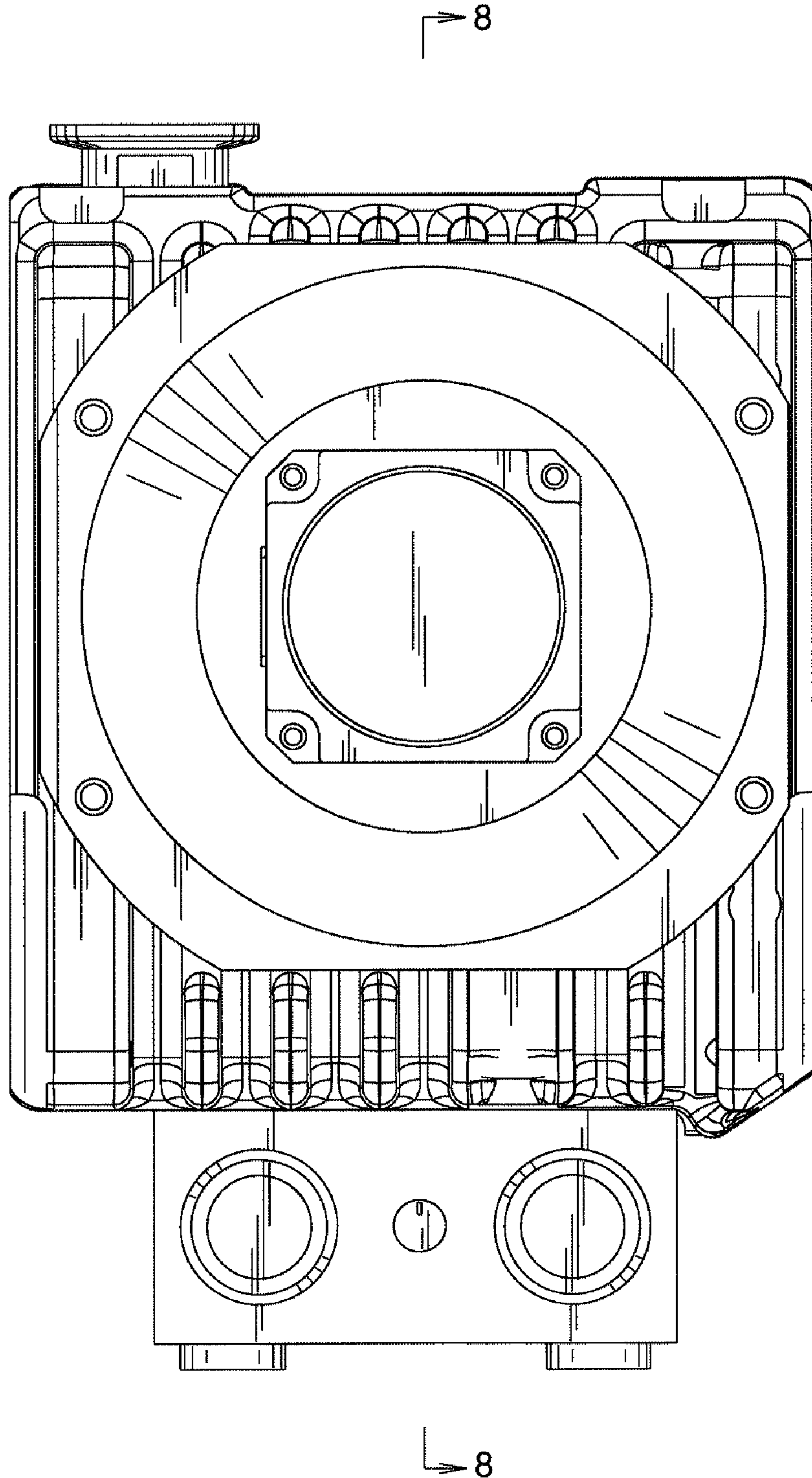


Fig. 5

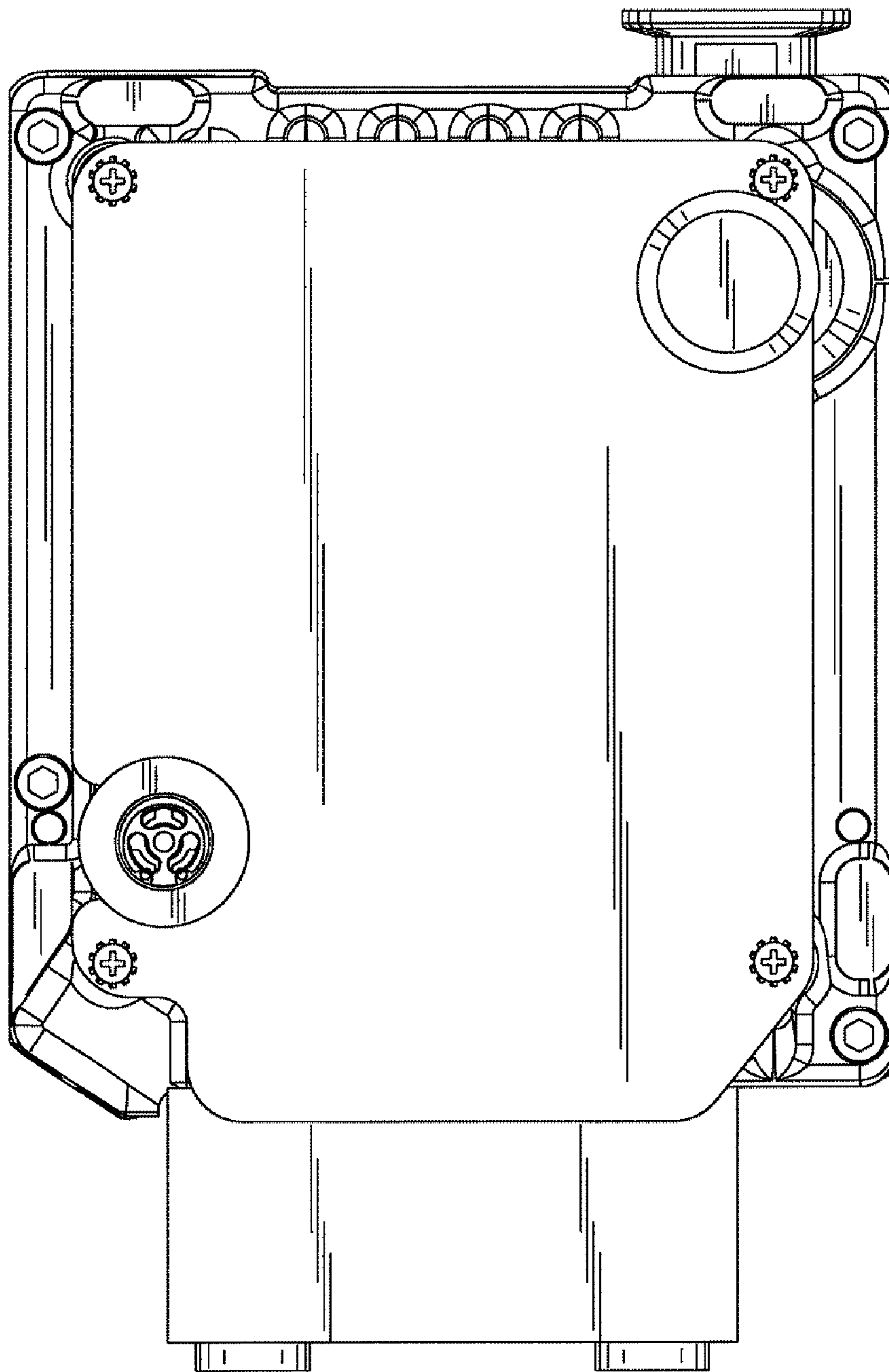


Fig. 6

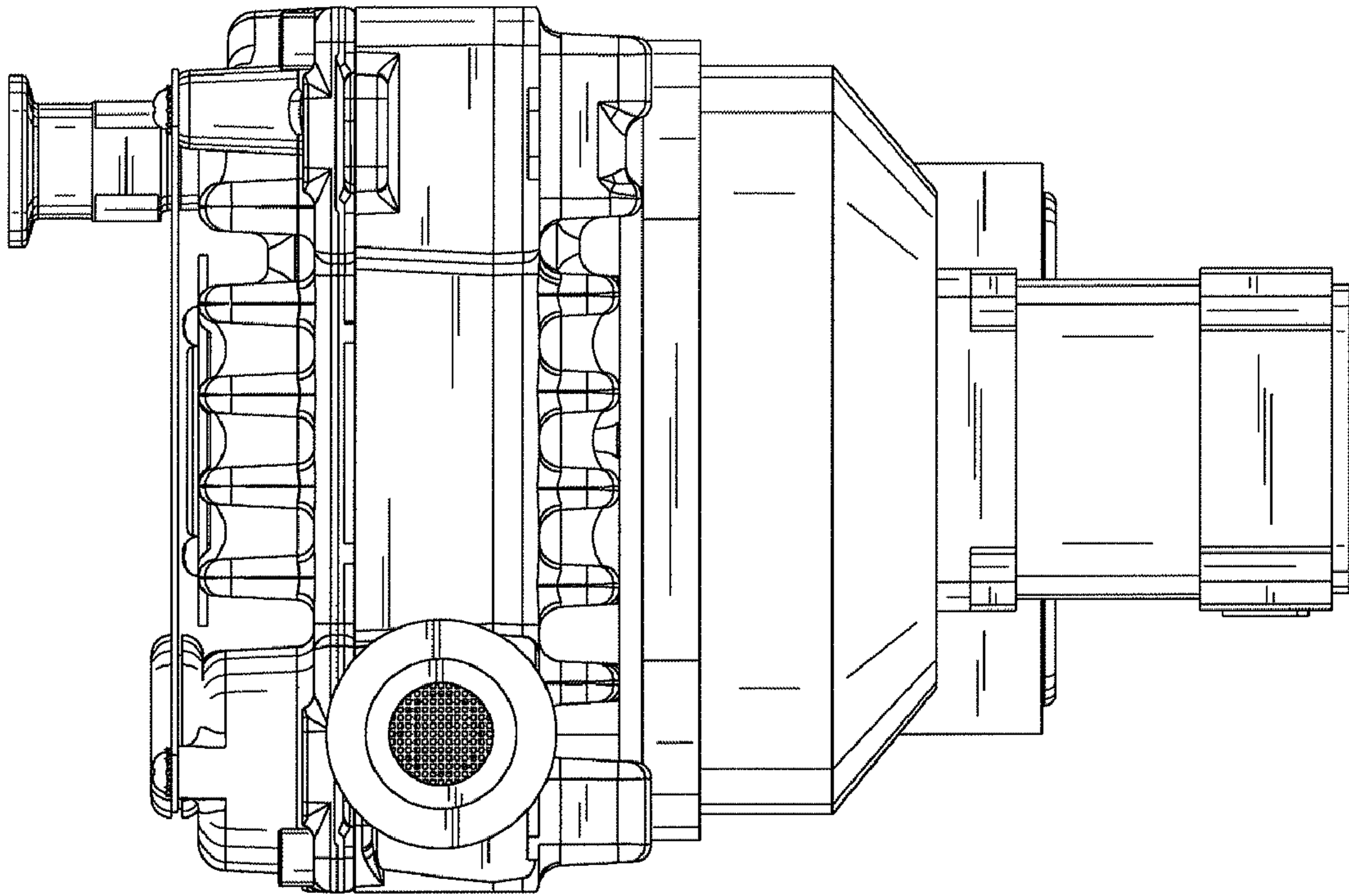


Fig. 7

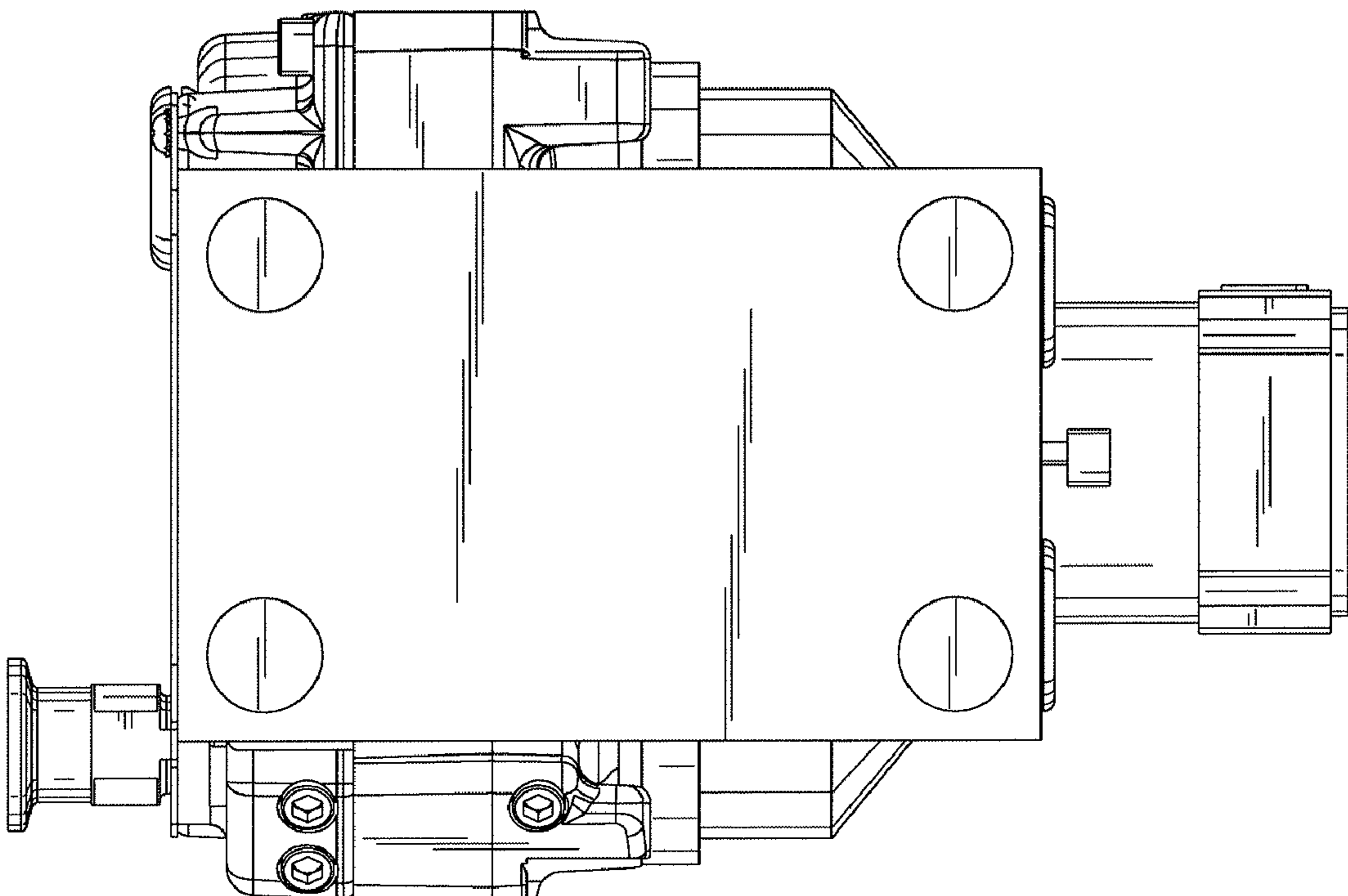


Fig. 8

