



US00D644250S

(12) **United States Design Patent**
Barber et al.

(10) **Patent No.:** **US D644,250 S**

(45) **Date of Patent:** **** Aug. 30, 2011**

(54) **PUMP**

(75) Inventors: **David Gillman Barber**, Gwent (GB);
Simon Allan Moss, Cardiff (GB);
Andrew Wilson, Cardiff (GB); **Rhys**
Edward Davies, Cardiff (GB); **Farrokh**
Shirvani, Cardiff (GB); **Alan Beale**,
South Wales (GB); **John Robert**
Hibberdine, Cardiff (GB); **Carl**
Williams, Trowbridge (GB)

(73) Assignee: **Huntleigh Technology Limited** (GB)

(**) Term: **14 Years**

(21) Appl. No.: **29/378,255**

(22) Filed: **Nov. 2, 2010**

(30) **Foreign Application Priority Data**

Jun. 17, 2010 (EM) 001220164

(51) **LOC (9) Cl.** **15-02**

(52) **U.S. Cl.** **D15/7**

(58) **Field of Classification Search** D15/7-9;
D23/231, 232, 225; 417/60, 235, 265, 321,
417/355, 358, 363, 359, 410.1, 415-416,
417/405, 900; 60/408, 412; 184/26-37;
415/140-147; 123/495, 509

See application file for complete search history.

(56) **References Cited**

U.S. PATENT DOCUMENTS

D367,115 S	2/1996	Barber et al.	
D394,268 S	5/1998	Evans	
D418,522 S	1/2000	Angel	
D465,791 S	11/2002	Moan	
D480,402 S	10/2003	Wilson et al.	
D499,117 S *	11/2004	Leasure et al.	D15/9
D516,090 S *	2/2006	Gist et al.	D15/9
D517,092 S *	3/2006	Leasure et al.	D15/9
D578,551 S *	10/2008	Bonzer	D15/9
D588,160 S	3/2009	Beale et al.	
D620,500 S *	7/2010	Brandt et al.	D15/9

* cited by examiner

Primary Examiner — Ralf Seifert

(74) *Attorney, Agent, or Firm* — Craig A. Fieschko, Esq.;
DeWitt Ross & Stevens S.C.

(57) **CLAIM**

I claim the ornamental design for a pump, as shown and described.

DESCRIPTION

FIG. 1 is a front perspective view of a pump showing the design;

FIG. 2 is a front elevational view thereof;

FIG. 3 is a rear elevational view thereof;

FIG. 4 is a top plan view thereof;

FIG. 5 is a bottom plan view thereof;

FIG. 6 is a right side elevational view thereof; and,

FIG. 7 is a left side elevational view thereof.

The broken line drawings of the hose fittings, controls, and similar features are for illustrative purposes only and form no part of the claimed design. The electrical cord in FIGS. 2-5 is shown broken away to indicate indeterminate length.

1 Claim, 7 Drawing Sheets

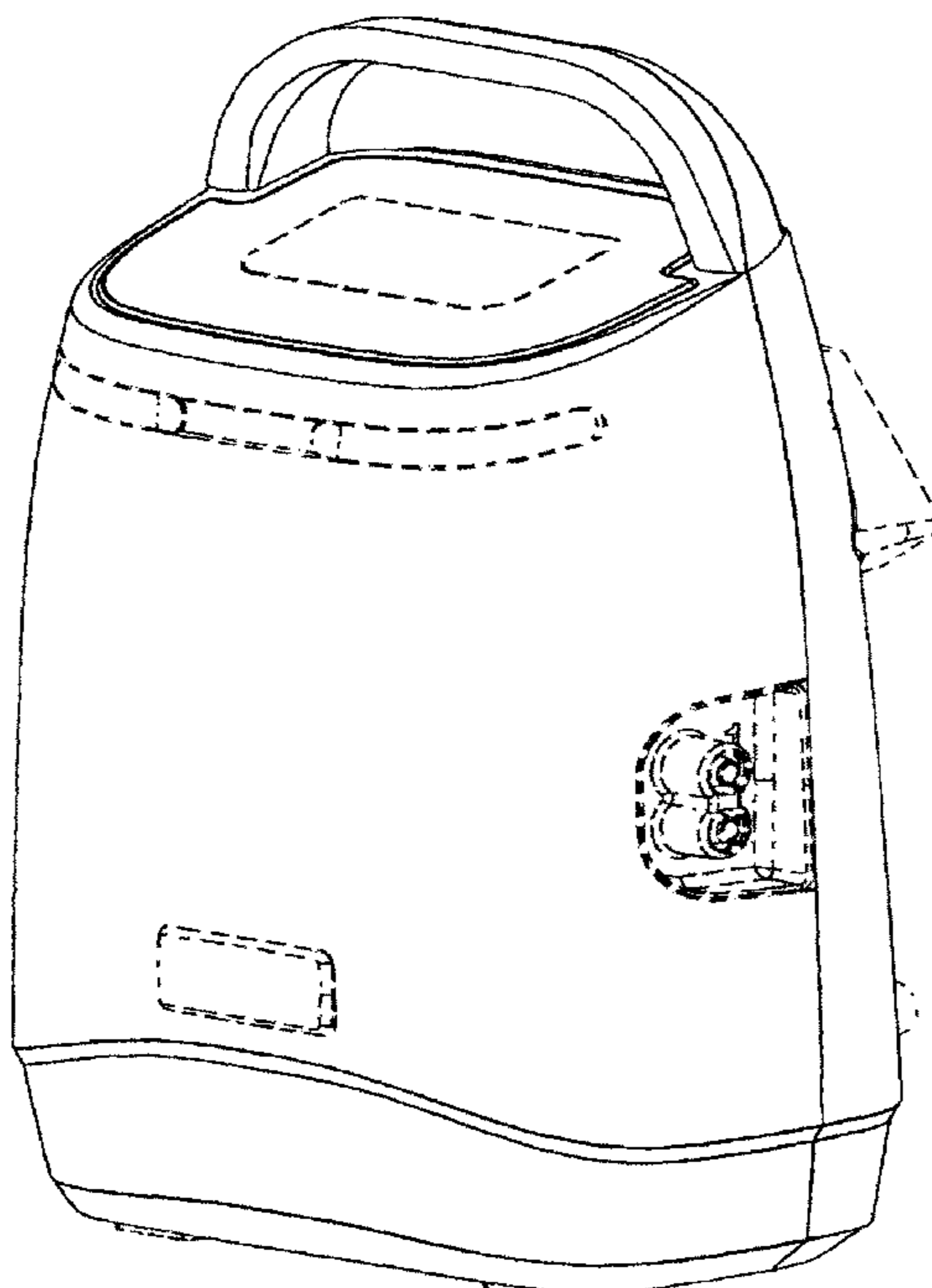


FIG. 1

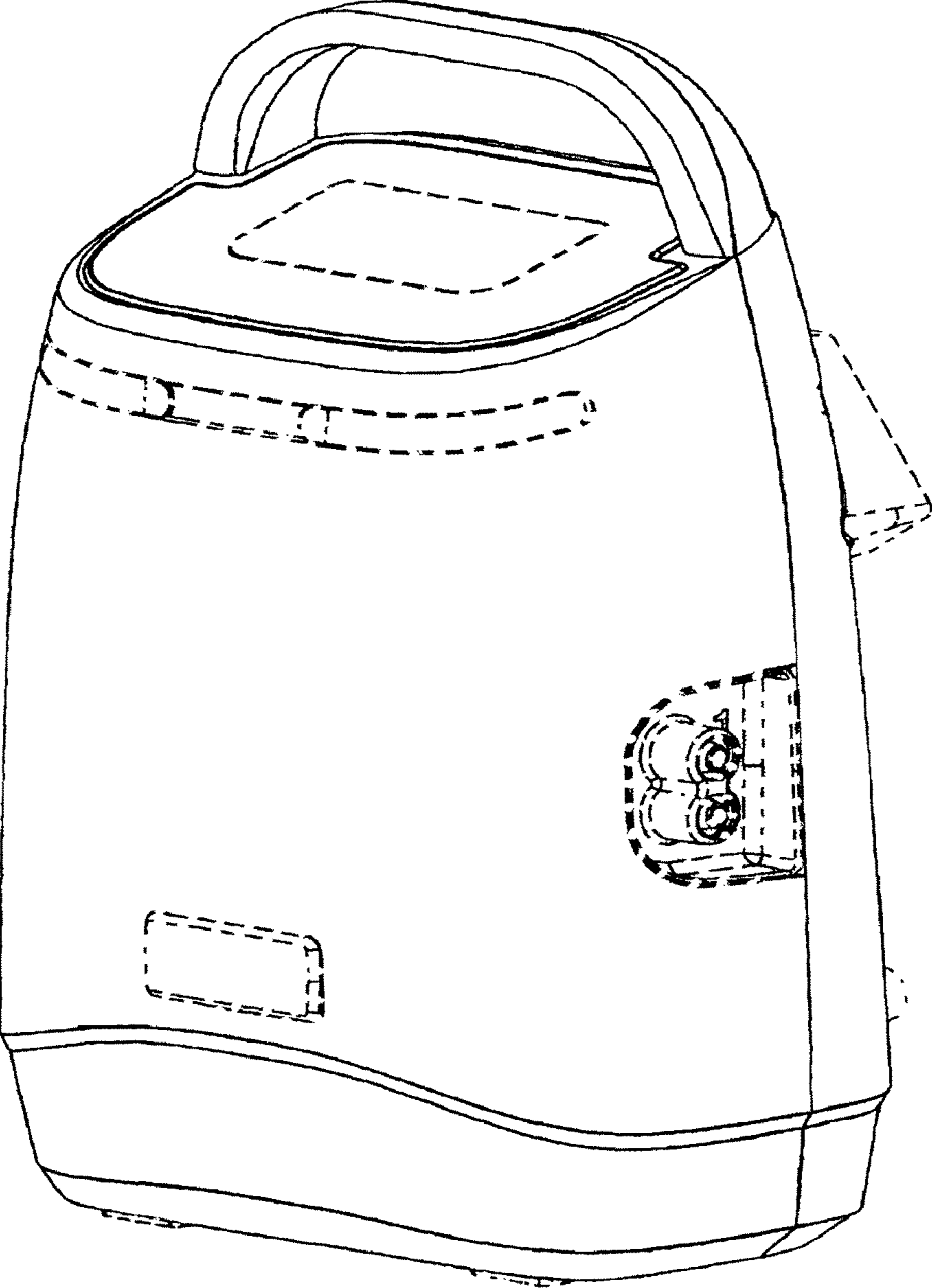


FIG. 2

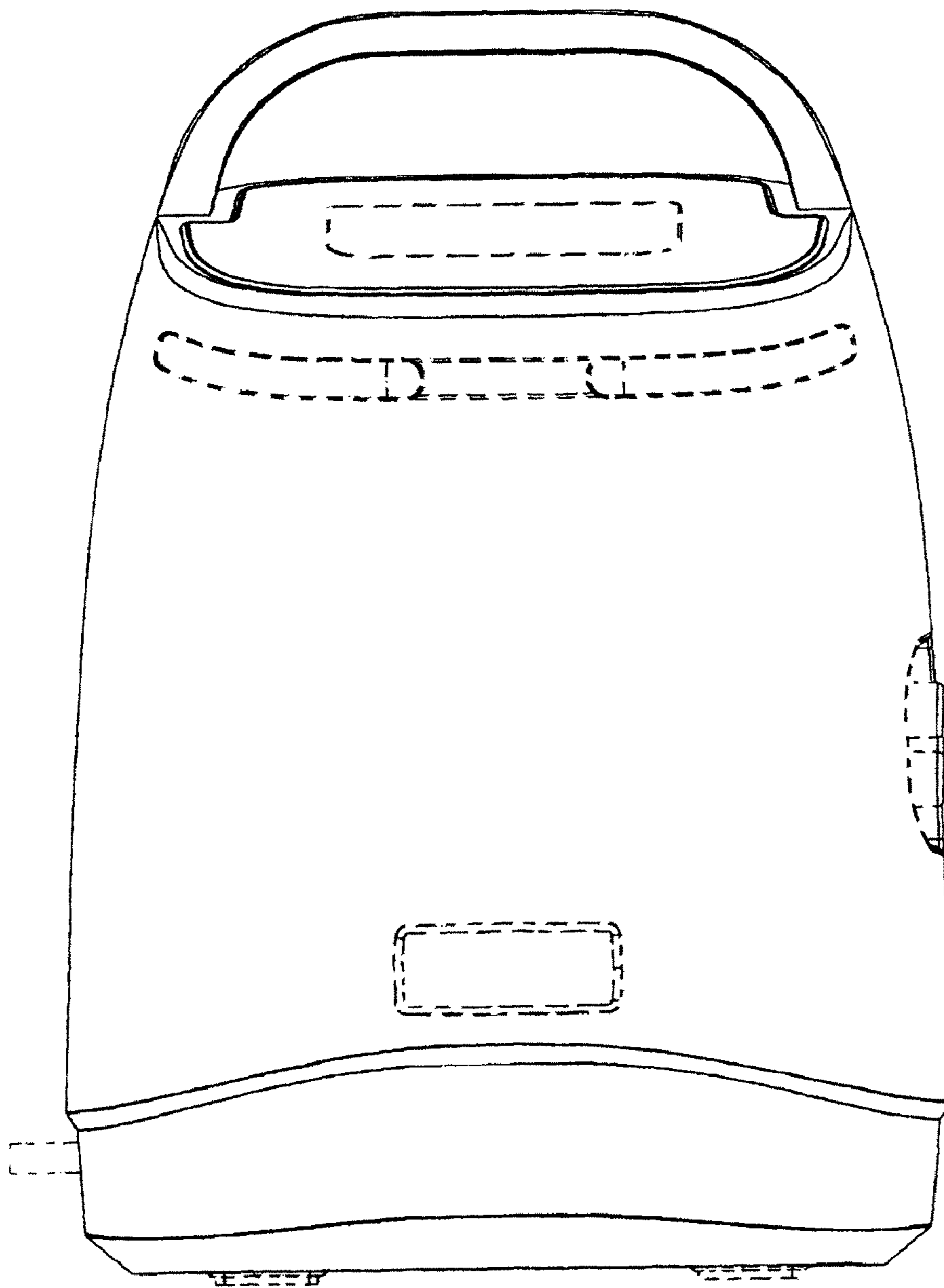


FIG. 3

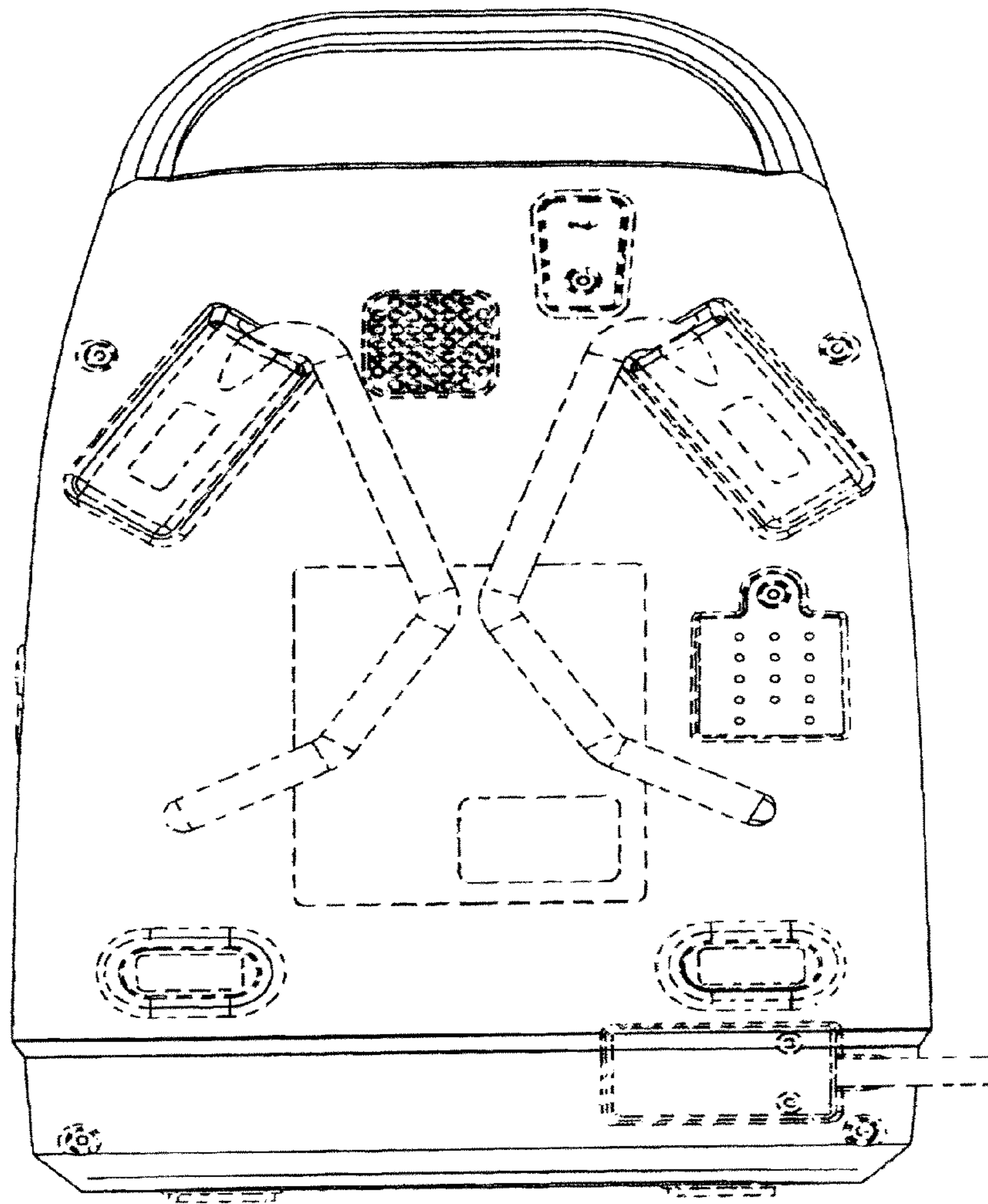


FIG. 4

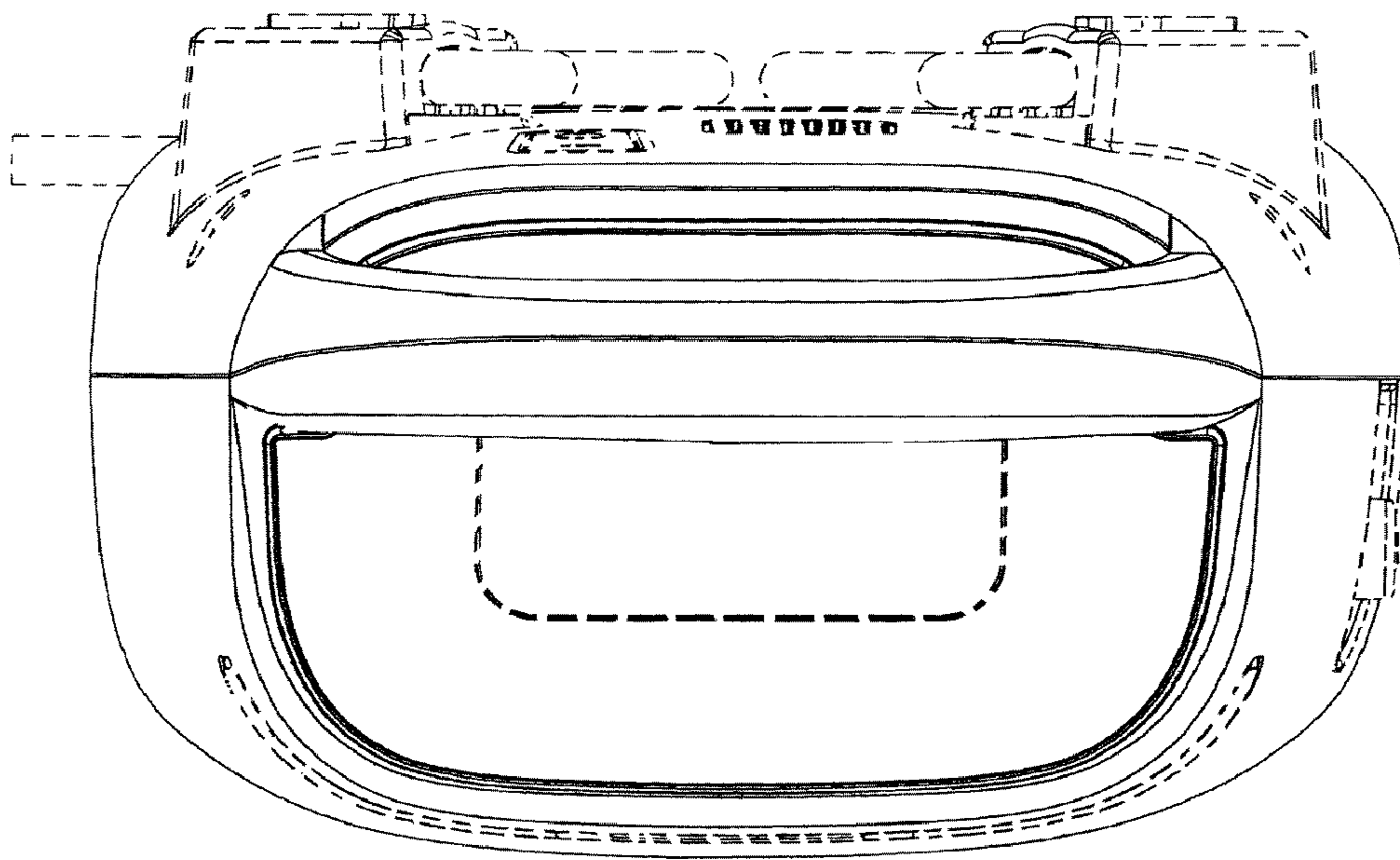


FIG. 5

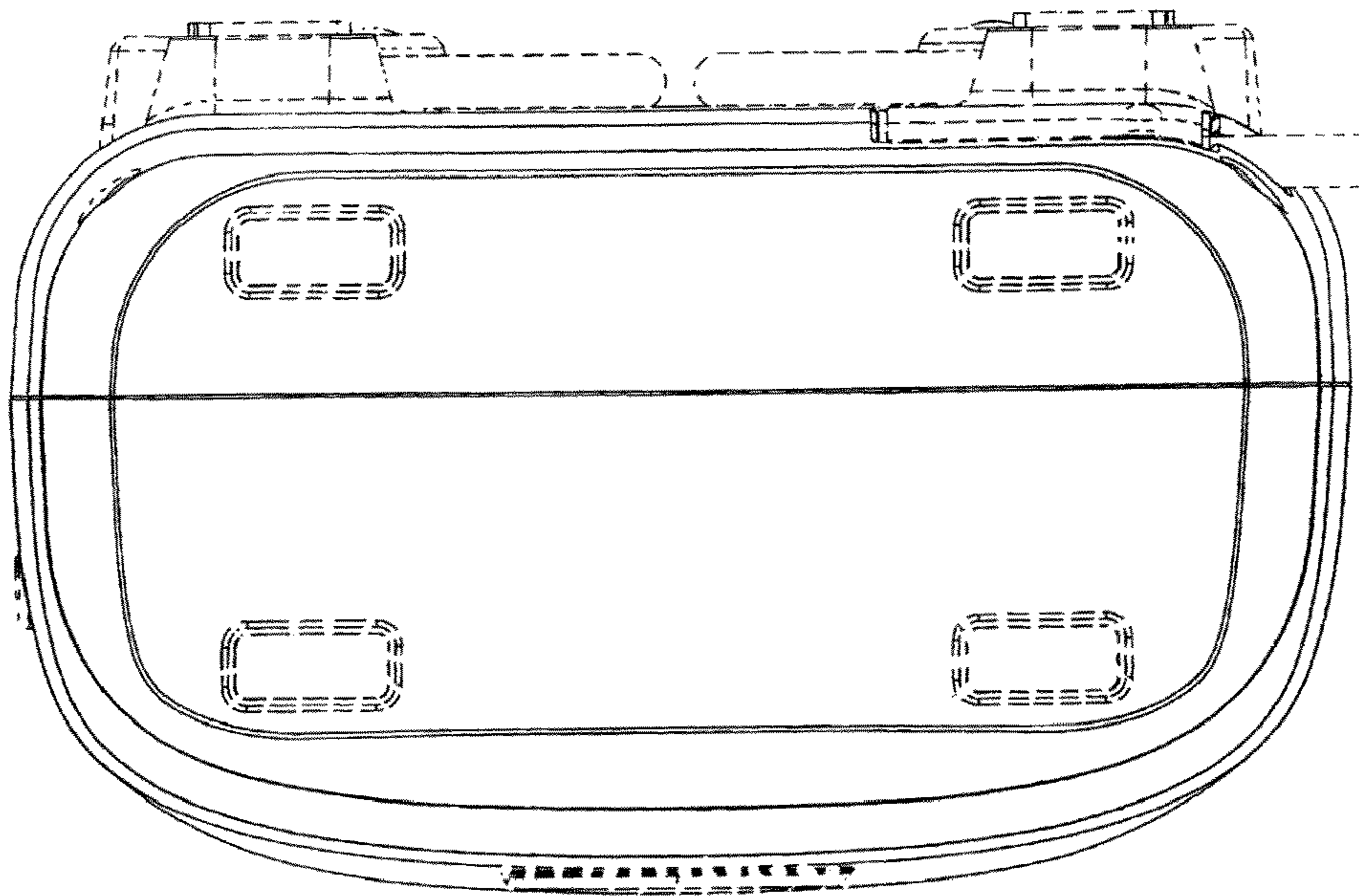


FIG. 6

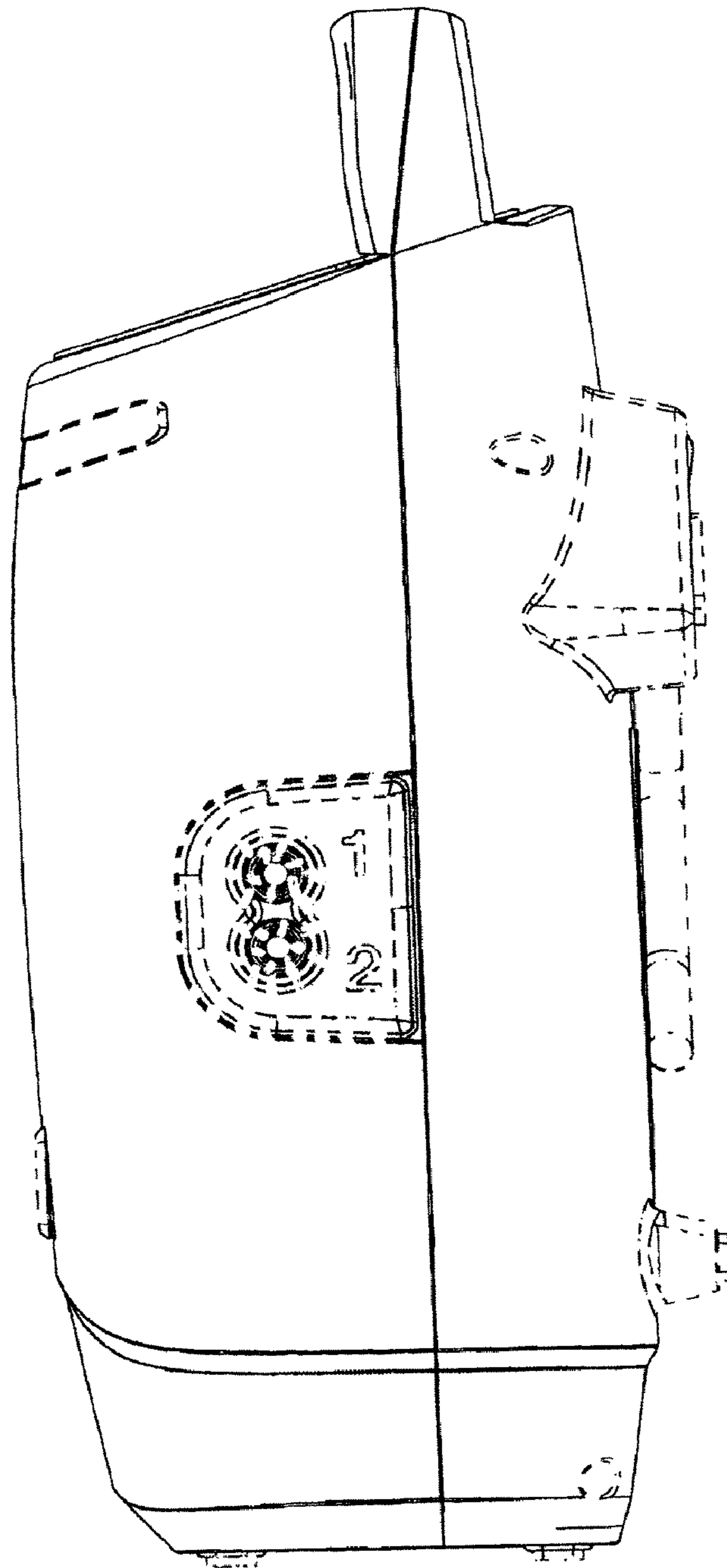


FIG. 7

