



US00D644249S

(12) **United States Design Patent**  
**Tapper**

(10) **Patent No.:** **US D644,249 S**

(45) **Date of Patent:** **\*\* Aug. 30, 2011**

(54) **MECHANICAL COUPLER**

(75) Inventor: **Christopher S. Tapper**, South Bend, IN (US)

(73) Assignee: **Buchanan Metal Forming, Inc.**,  
Bunuchanan, MI (US)

(\*\*) Term: **14 Years**

(21) Appl. No.: **29/343,124**

(22) Filed: **Sep. 8, 2009**

**Related U.S. Application Data**

(62) Division of application No. 29/302,354, filed on Jan. 15, 2008, now Pat. No. Des. 599,823.

(51) **LOC (9) Cl.** ..... **15-01**

(52) **U.S. Cl.** ..... **D15/5**

(58) **Field of Classification Search** ..... D15/1,  
D15/3, 5; 81/446, 442, 443

See application file for complete search history.

(56) **References Cited**

**U.S. PATENT DOCUMENTS**

2,677,916 A	5/1954	Hannapel	
5,406,418 A	4/1995	Deary	
6,904,835 B2	6/2005	Dugan et al.	
D599,823 S *	9/2009	Tapper	D15/5

\* cited by examiner

*Primary Examiner* — Lisa Lichtenstein

(74) *Attorney, Agent, or Firm* — Warner Norcross & Judd LLP

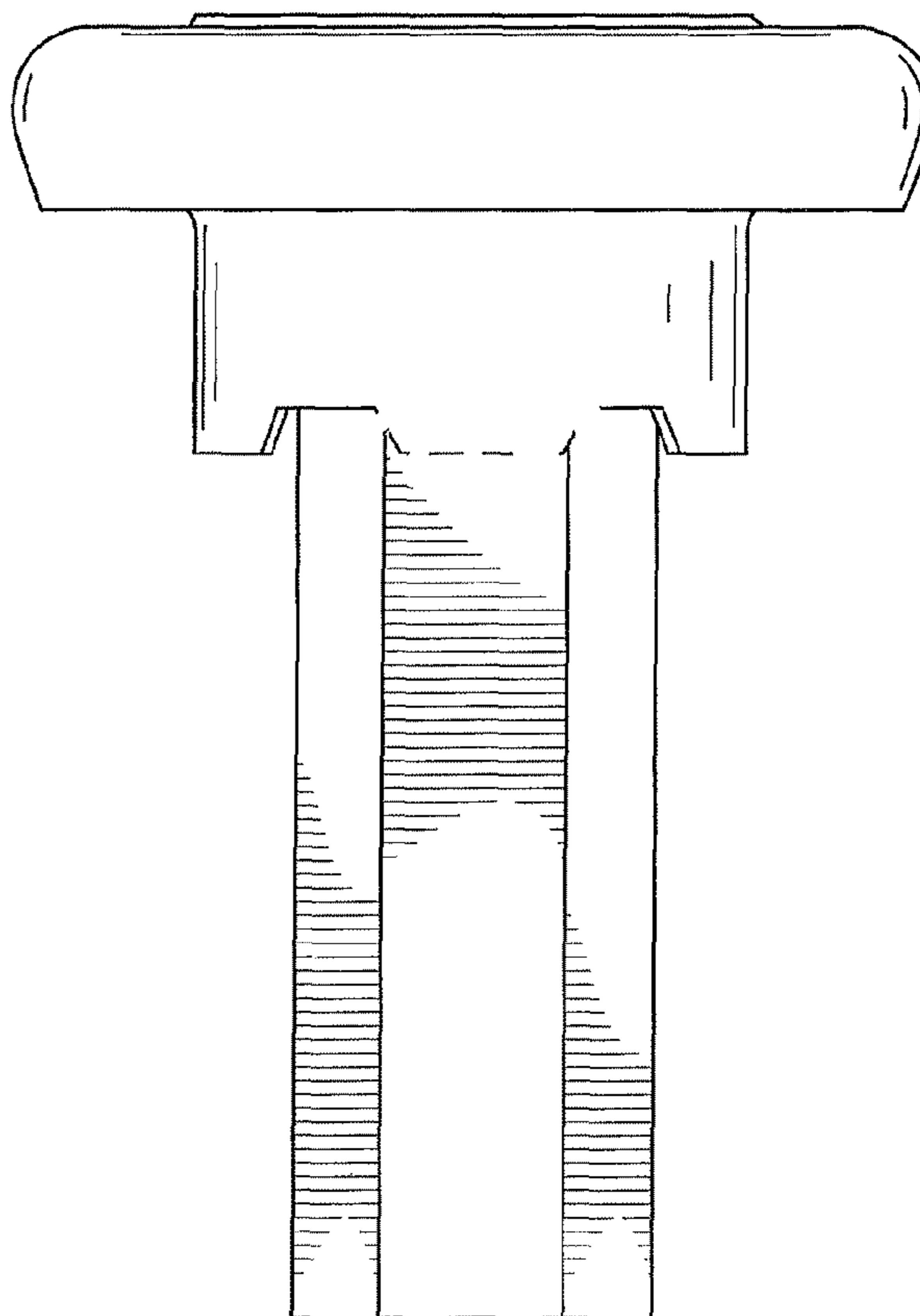
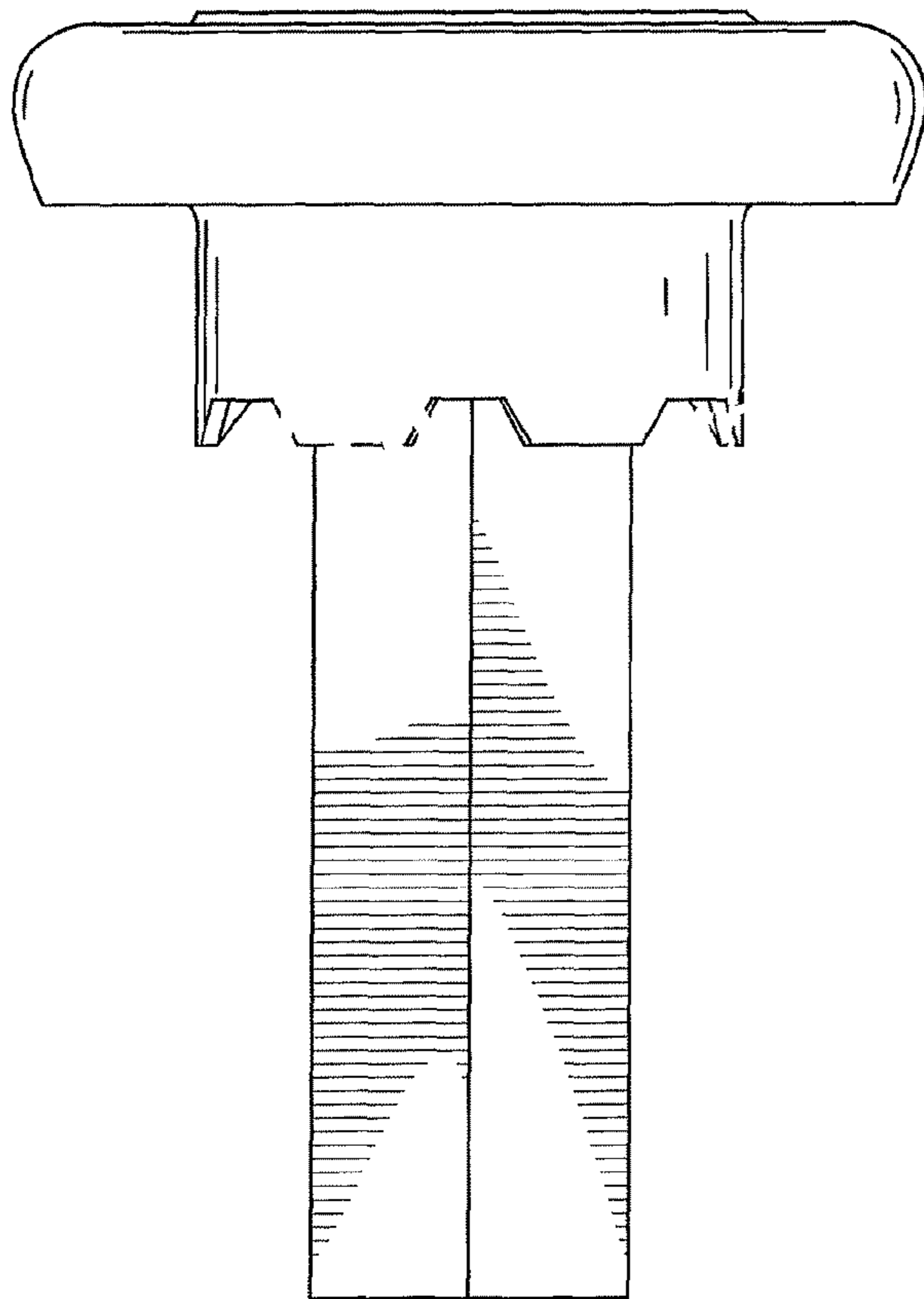
(57) **CLAIM**

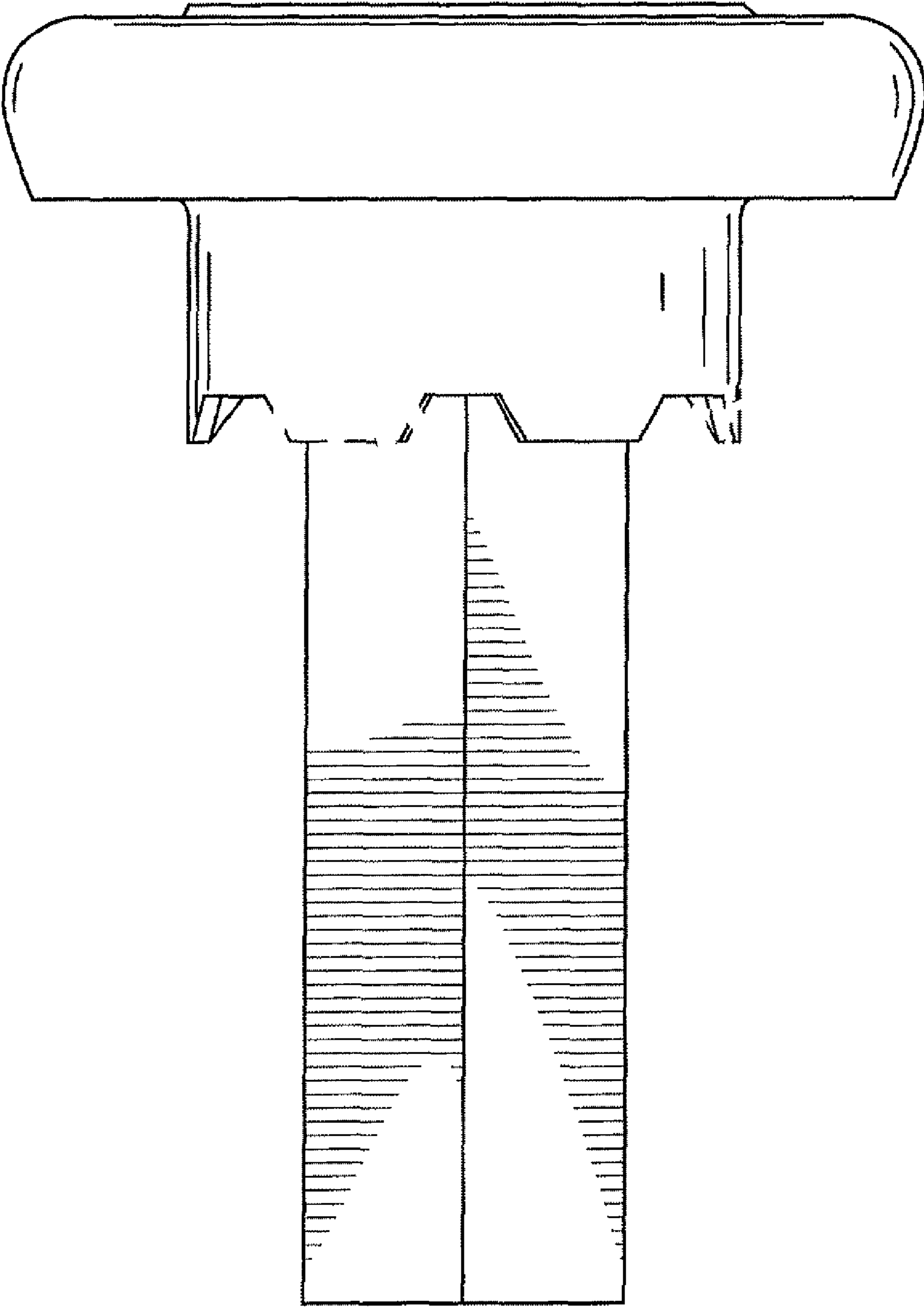
The ornamental design for a mechanical coupler, as shown and described.

**DESCRIPTION**

FIG. 1 is a front elevation view of another embodiment of a coupler design of the present invention, which is substantially identical to the rear elevation view of the coupler; FIG. 2 is a top plan view of the coupler of FIG. 1; FIG. 3 is a bottom plan view of the coupler of FIG. 1; and, FIG. 4 is a left side elevation view of the coupler of FIG. 1, which is substantially identical to the right side elevation view of the coupler of FIG. 1.

**1 Claim, 3 Drawing Sheets**





**FIG. 1**

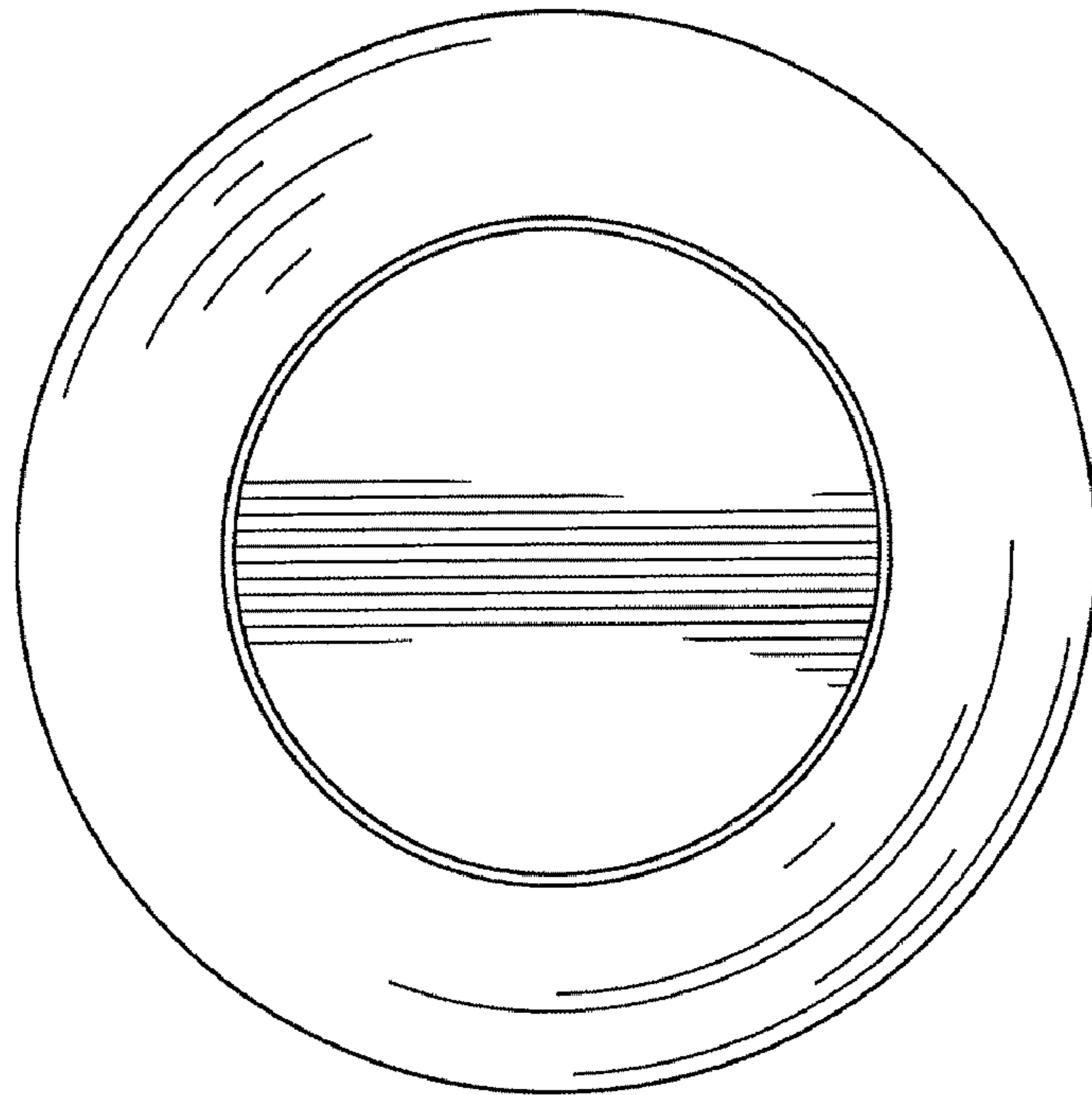


FIG. 2

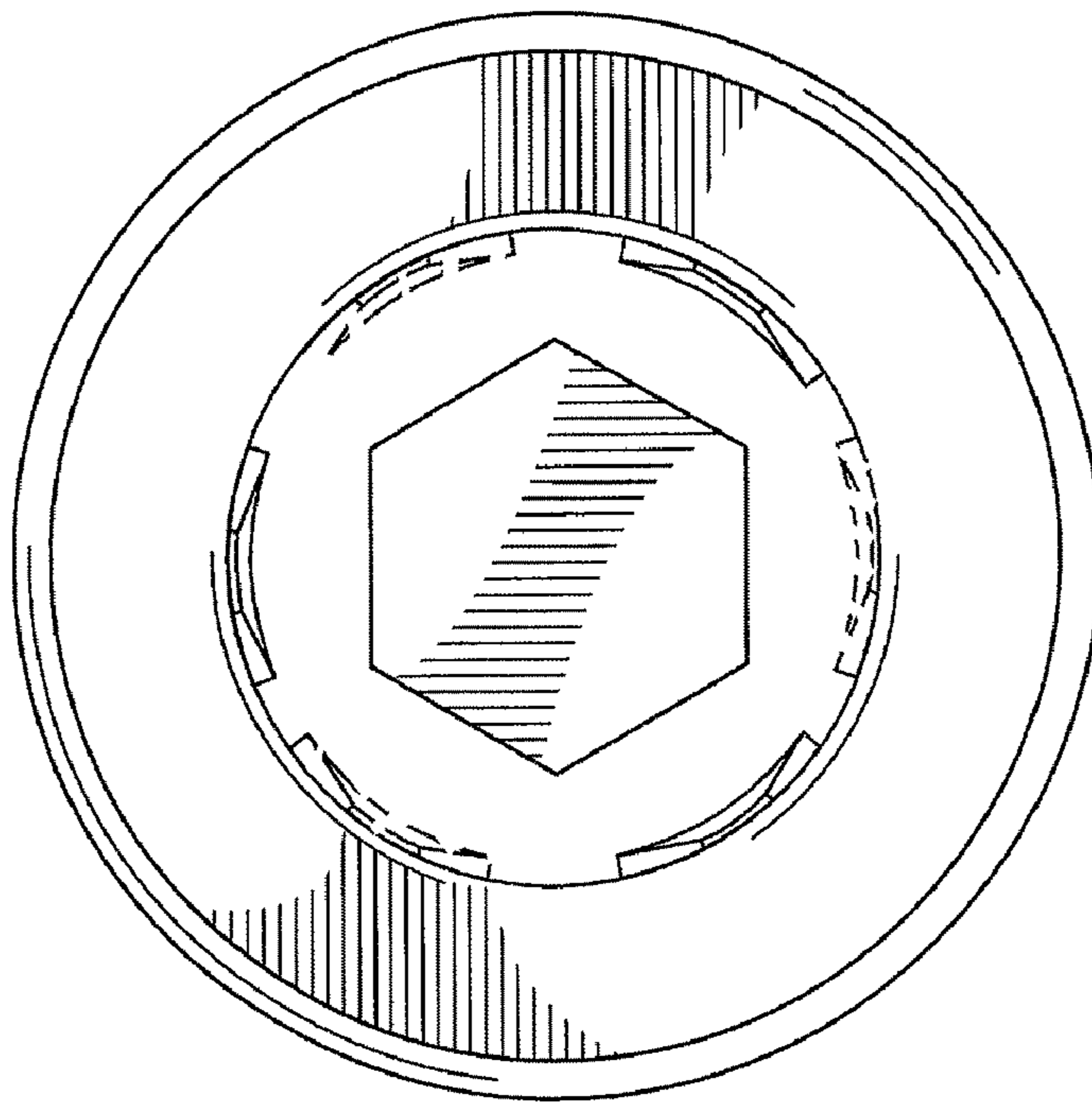


FIG. 3

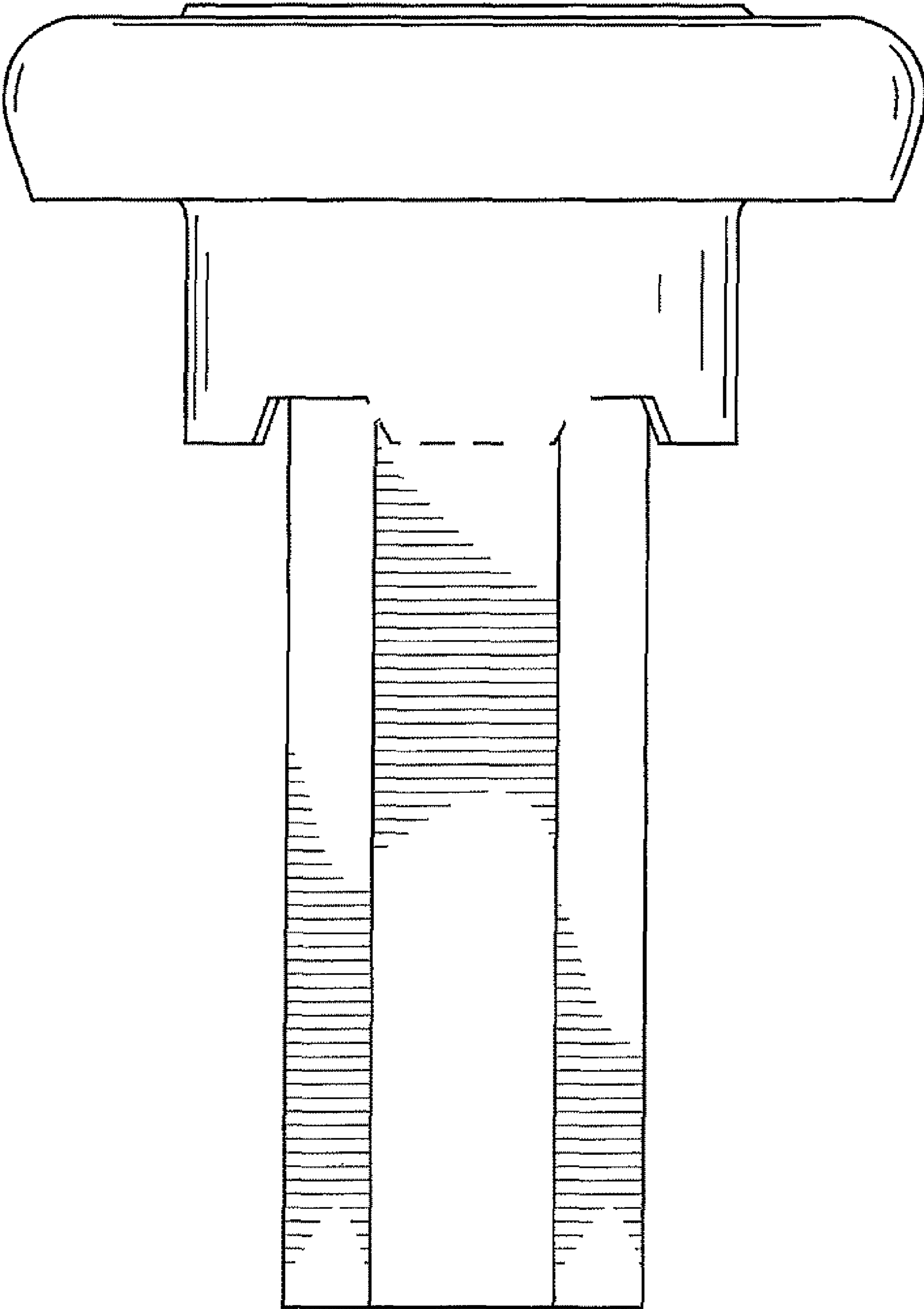


FIG. 4