



US00D644237S

(12) **United States Design Patent**
Hall, II

(10) **Patent No.:** **US D644,237 S**

(45) **Date of Patent:** **** Aug. 30, 2011**

(54) **COMBINATION GLOVE AND ELECTRONIC
DEVICE HOLDER**

(76) Inventor: **John A. Hall, II**, Midvale, UT (US)

(**) Term: **14 Years**

(21) Appl. No.: **29/375,662**

(22) Filed: **Sep. 25, 2010**

(51) **LOC (9) Cl.** **14-02**

(52) **U.S. Cl.** **D14/457; D14/451**

(58) **Field of Classification Search** D14/451,
D14/457; D6/406.3, 406.4, 406.6, 511; D7/553.1;
D2/610, 614-617; D21/683, 684, 686; D29/117.1;
108/43, 44

See application file for complete search history.

(56) **References Cited**

U.S. PATENT DOCUMENTS

4,852,498	A *	8/1989	Judd	108/43
5,383,643	A *	1/1995	Koch	248/447
5,644,338	A *	7/1997	Bowen	345/168
5,901,934	A *	5/1999	Wilson	248/346.01
5,991,644	A *	11/1999	Ogawa	455/566
6,193,118	B1 *	2/2001	Kearl	224/153
6,234,085	B1 *	5/2001	Ramundo	108/43
D451,100	S *	11/2001	Brillhart et al.	D14/457
D454,353	S *	3/2002	Hicks et al.	D14/457
6,353,530	B1 *	3/2002	Zarek et al.	361/679.55
6,527,243	B1 *	3/2003	Kume, Jr.	248/448
6,757,159	B2 *	6/2004	Zarek et al.	361/679.09
D514,057	S *	1/2006	Borunda et al.	D12/426.1
D529,683	S *	10/2006	Fitzgerald	D2/617

7,150,236	B1 *	12/2006	Riley	108/43
7,333,321	B2 *	2/2008	Sutton et al.	361/679.09
D583,810	S *	12/2008	Chen	D14/345
2006/0002072	A1 *	1/2006	Sutton et al.	361/683

* cited by examiner

Primary Examiner — Freda Nunn

(74) *Attorney, Agent, or Firm* — QuickPatents, Inc.; Kevin Prince

(57) **CLAIM**

The ornamental design for a combination glove and electronic device holder, as shown and described.

DESCRIPTION

FIG. 1 is a perspective view of a combination glove and electronic device holder showing the new design in an extended position;

FIG. 2 is a top plan view thereof;

FIG. 3 is a bottom plan view thereof;

FIG. 4 is a top plan view thereof, illustrated in a collapsed position;

FIG. 5 is a bottom plan view of FIG. 4;

FIG. 6 is a front elevational view of FIG. 1;

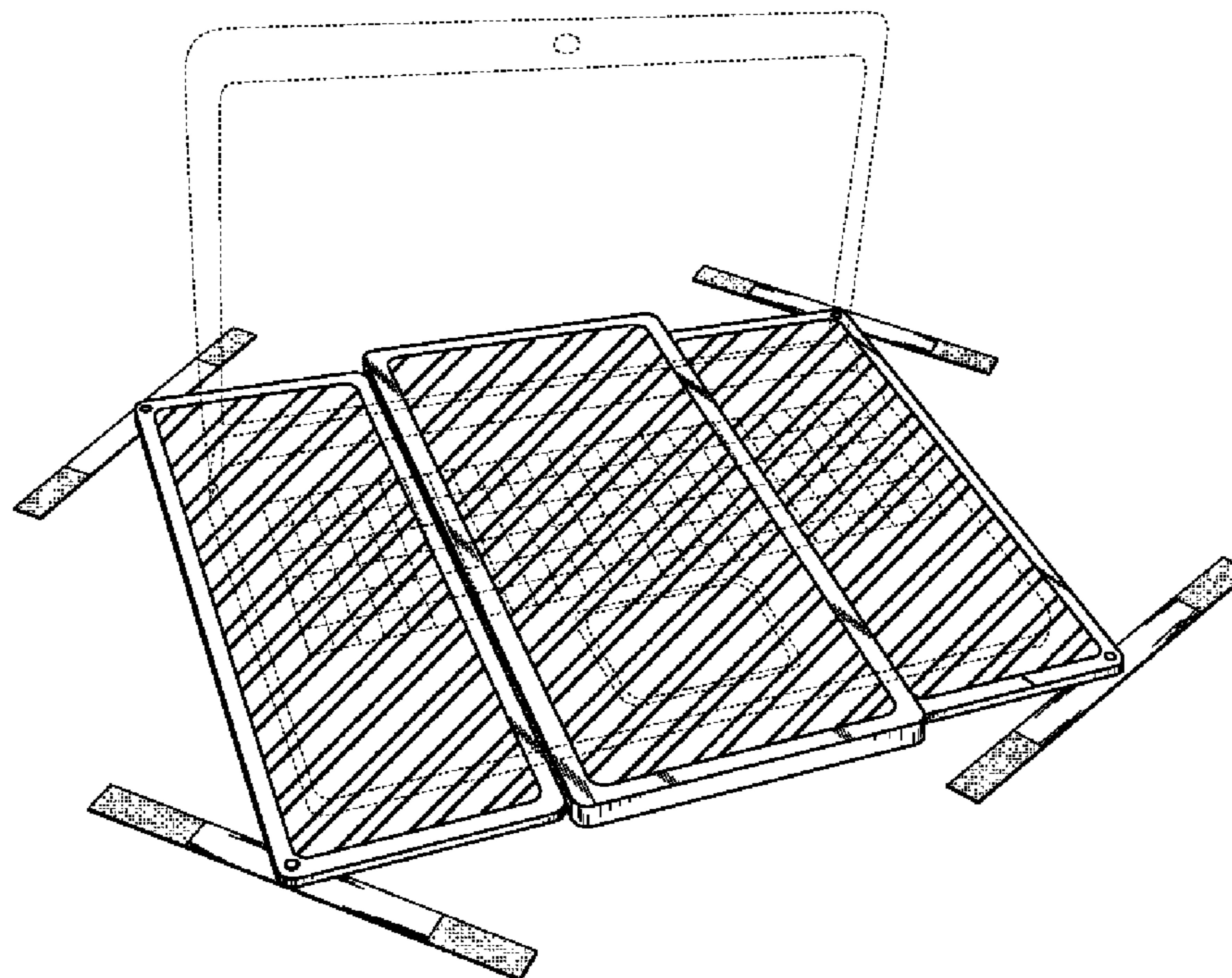
FIG. 7 is a rear elevational view of FIG. 1;

FIG. 8 is a left-side elevational view of both FIG. 1 and FIG. 4; and,

FIG. 9 is a right-side elevational view of both FIG. 1 and FIG. 4.

The broken lines showing a laptop computer in FIG. 1 are included for the purpose of illustrating the invention in use, and form no part of the claimed design.

1 Claim, 5 Drawing Sheets



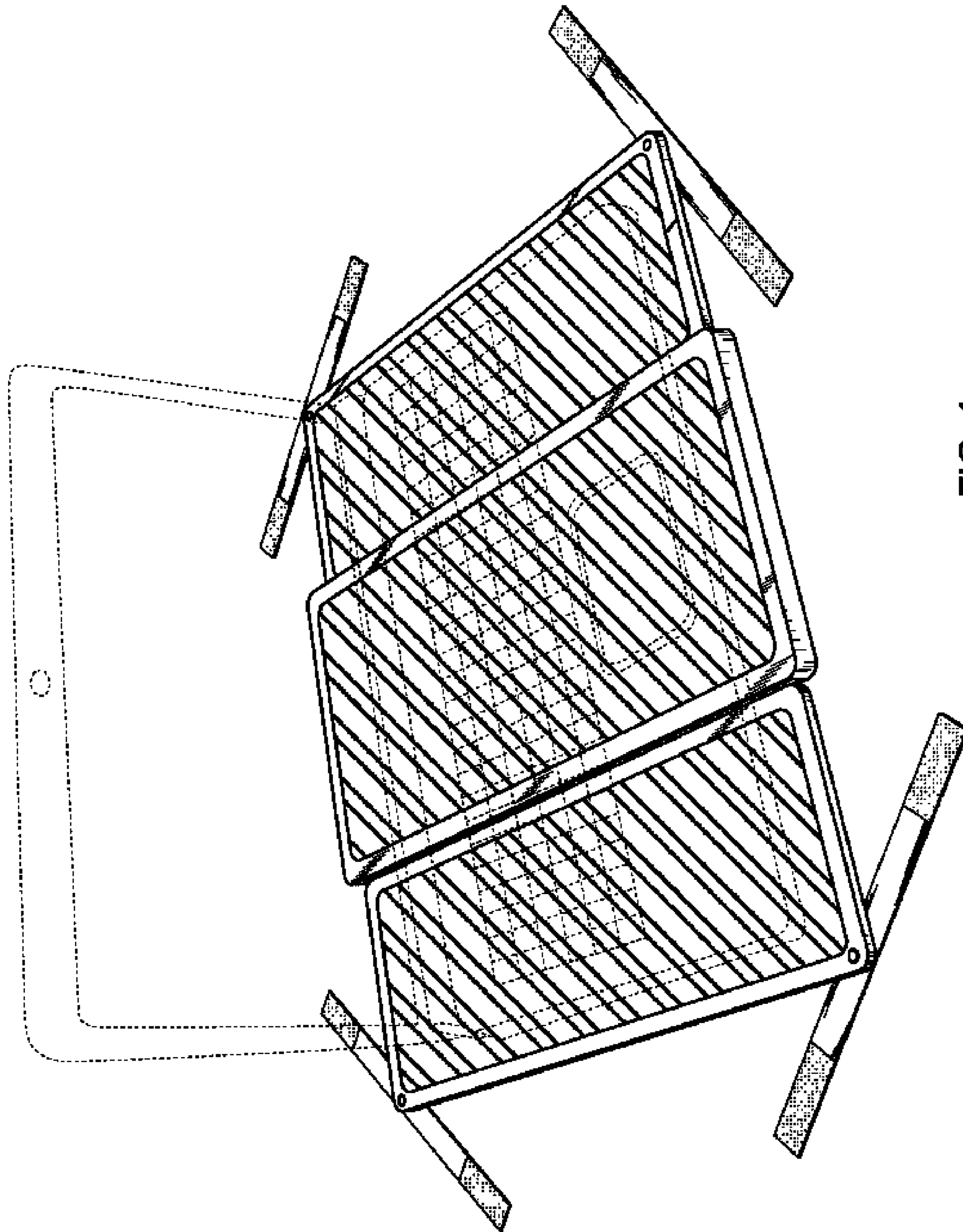


FIG. 1

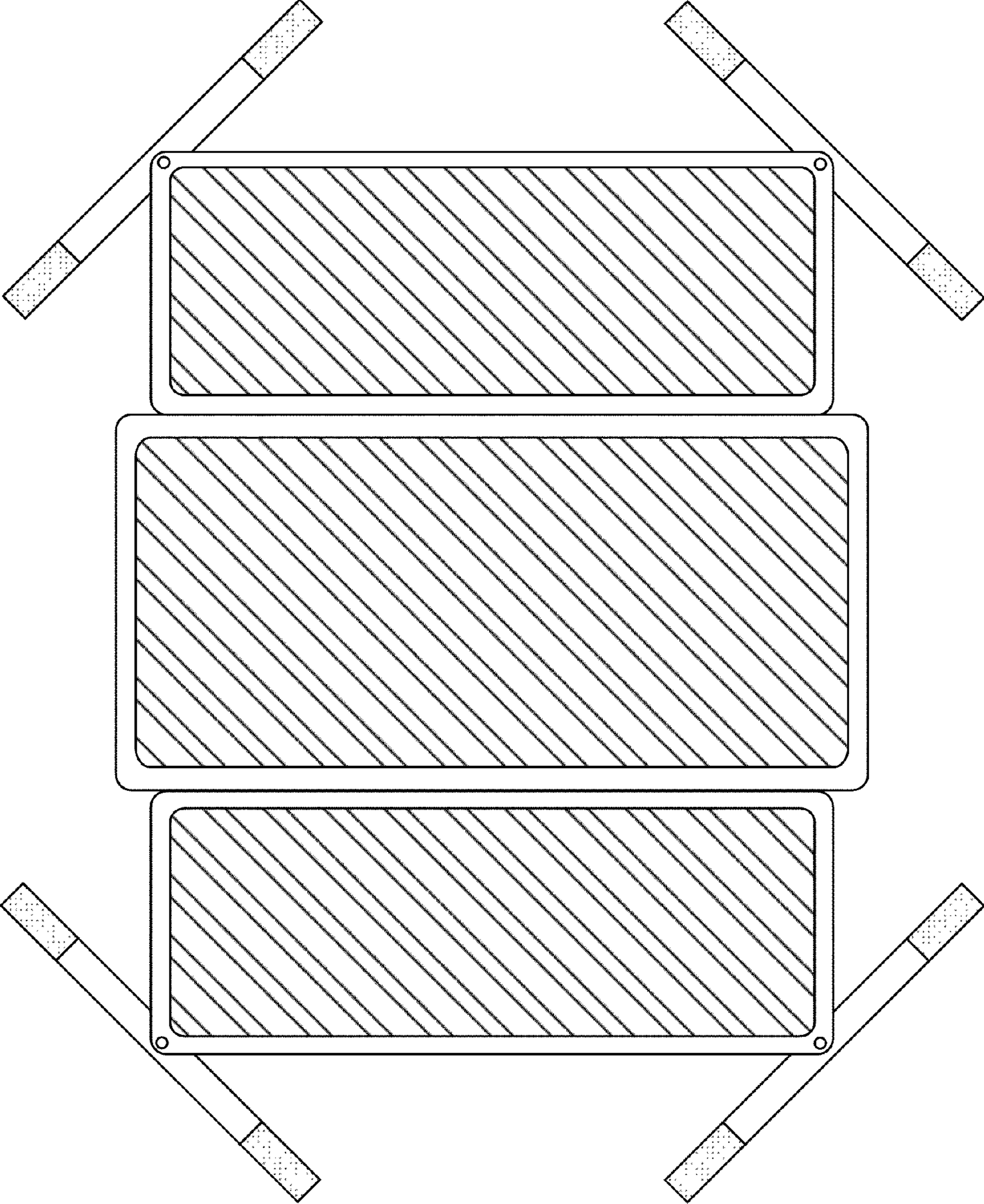


FIG. 2

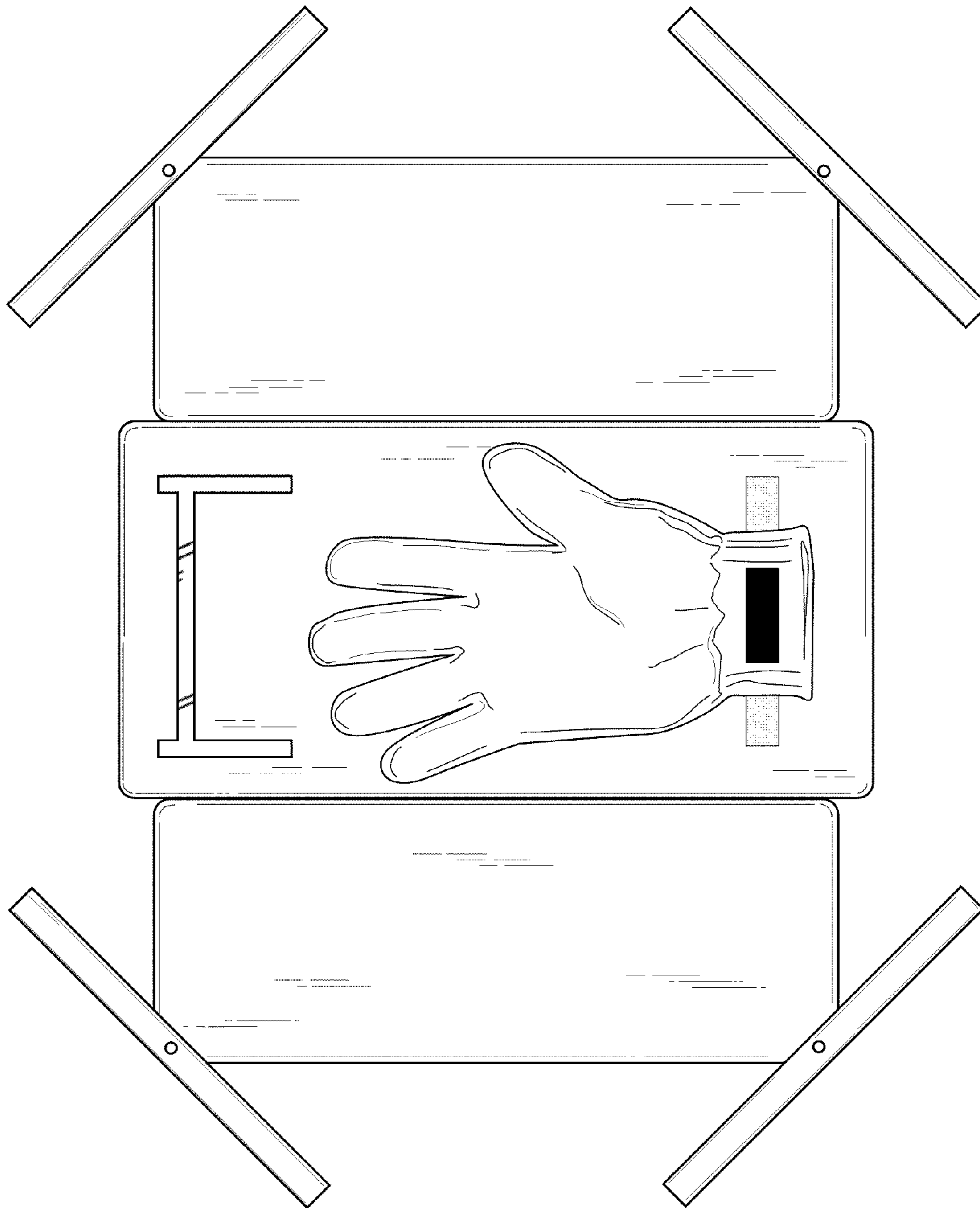


FIG. 3

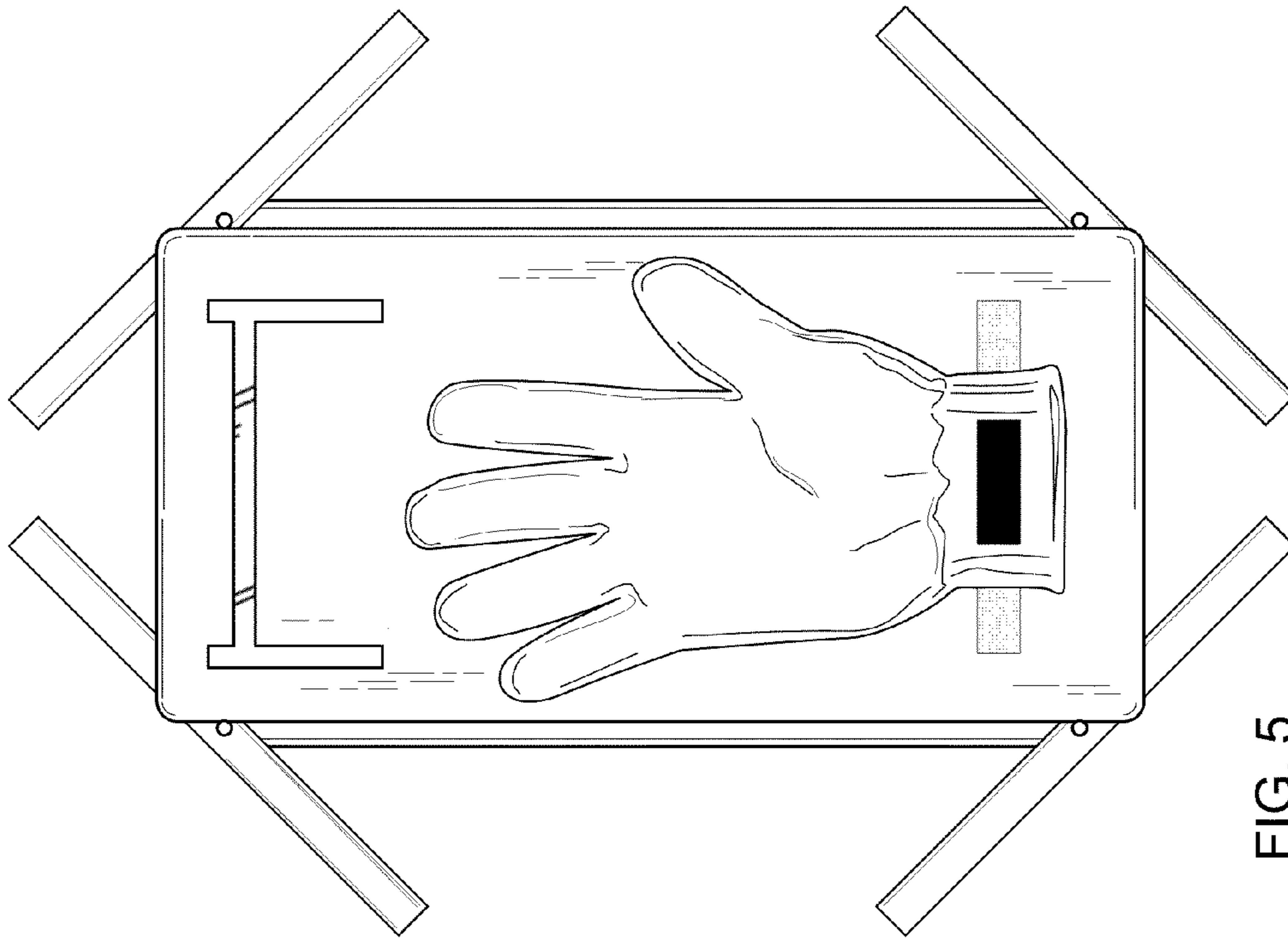


FIG. 5

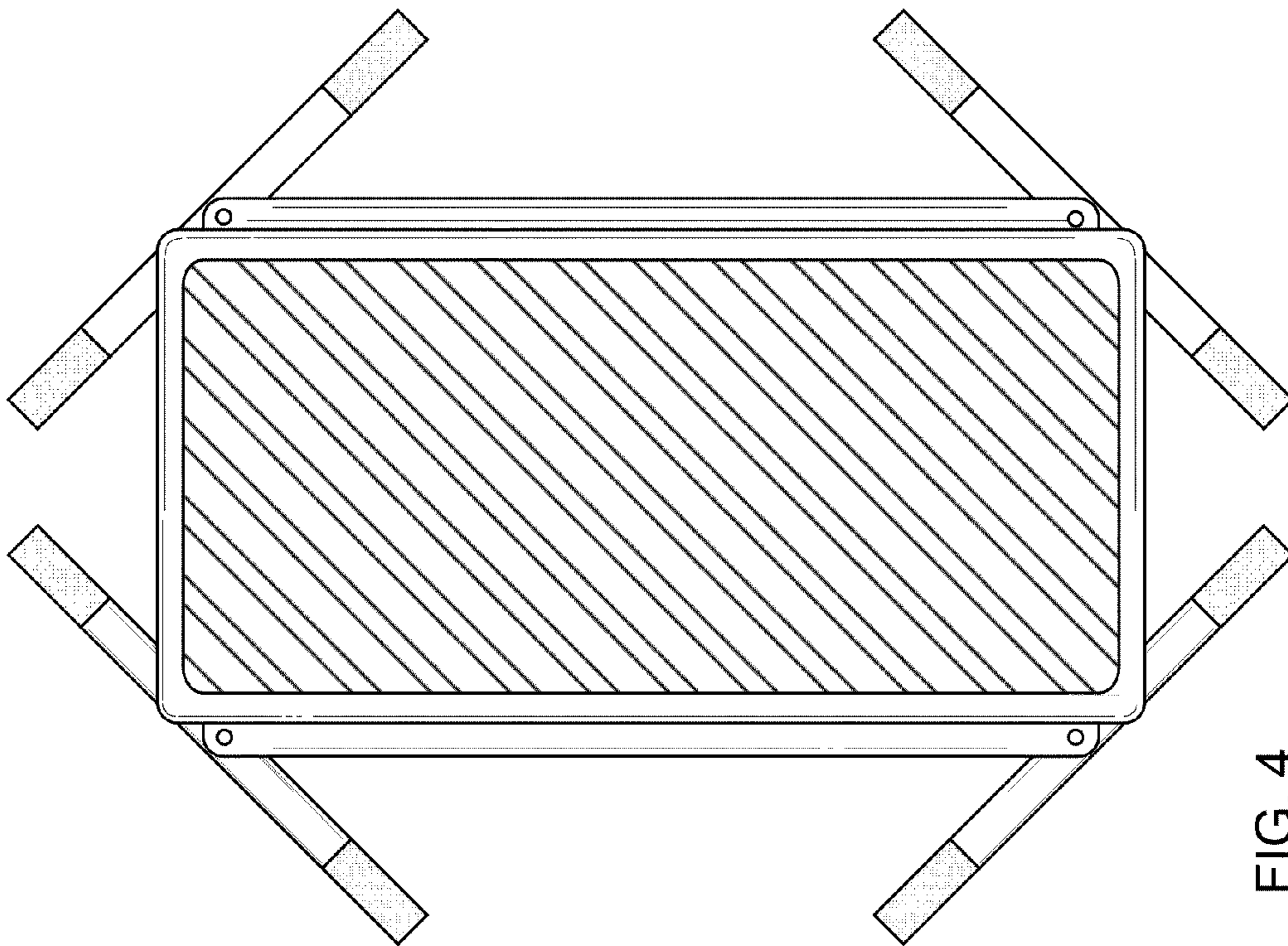


FIG. 4

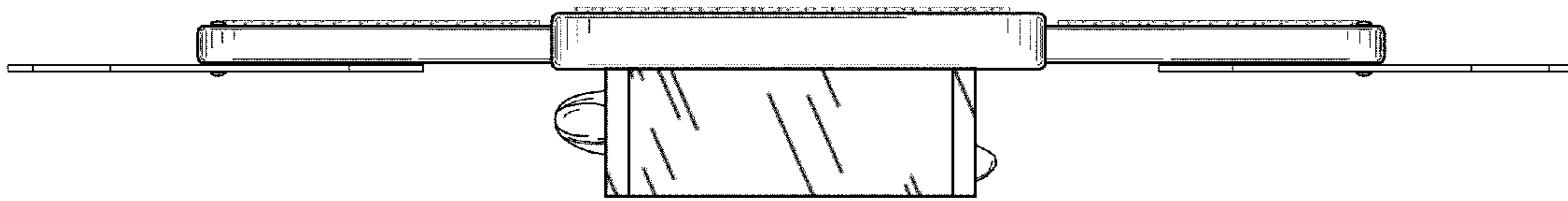


FIG. 6

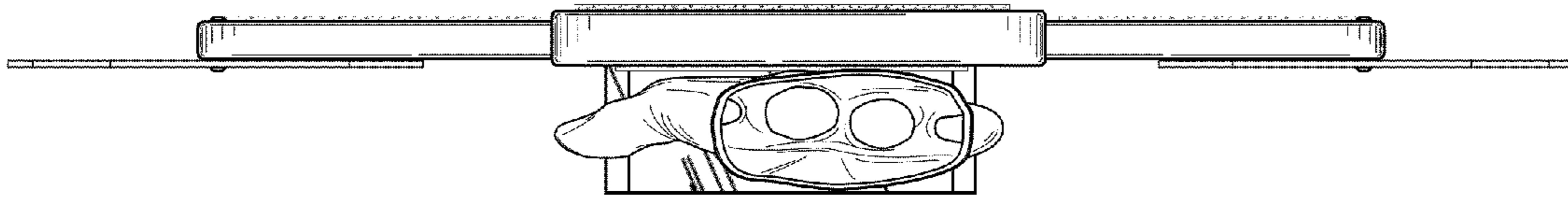


FIG. 7

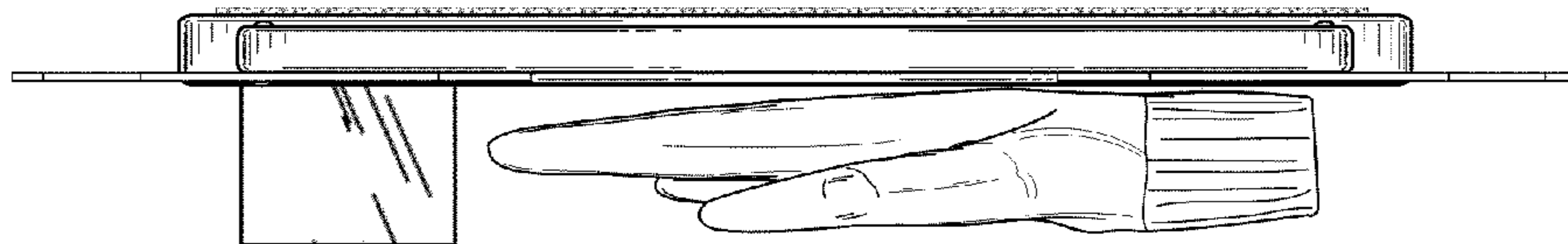


FIG. 8

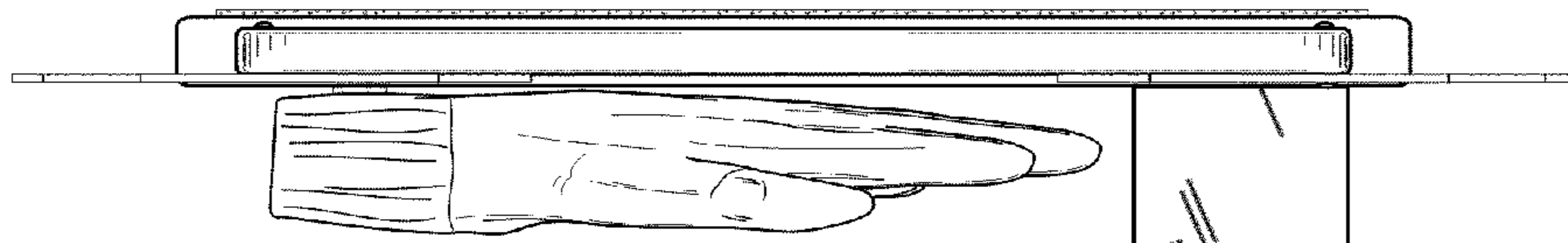


FIG. 9