

US00D644223S

(12) **United States Design Patent**
Maupin

(10) **Patent No.:** **US D644,223 S**

(45) **Date of Patent:** **** Aug. 30, 2011**

(54) **VIDEO DISPLAY DEVICE**

(76) **Inventor:** **Arthur N. Maupin**, White Hall, IL (US)

(**) **Term:** **14 Years**

(21) **Appl. No.:** **29/349,814**

(22) **Filed:** **May 5, 2010**

(51) **LOC (9) Cl.** **14-02**

(52) **U.S. Cl.** **D14/371; D14/375**

(58) **Field of Classification Search** D14/371-376,
D14/125-129; 345/104, 156, 168, 173, 87,
345/1.1, 901-905; 341/12; 348/180, 184,
348/325, 739; 349/1, 2, 11, 58; 248/917-924,
248/278.1; 361/679.23, 679.08; D12/400

See application file for complete search history.

(56) **References Cited**

U.S. PATENT DOCUMENTS

4,329,800	A *	5/1982	Shuman	40/606.14
D305,647	S *	1/1990	Kato et al.	D14/374
D346,286	S *	4/1994	Caponigro et al.	D6/419
6,105,919	A *	8/2000	Min	248/418

6,366,452	B1 *	4/2002	Wang et al.	361/679.22
7,035,092	B2 *	4/2006	Hillman et al.	361/679.06
D545,776	S *	7/2007	Kwon	D14/126
D561,130	S *	2/2008	Won et al.	D14/126
D597,975	S *	8/2009	Ohno	D14/126
D598,917	S *	8/2009	Luber	D14/375
D599,755	S *	9/2009	Jin et al.	D14/126
2003/0058372	A1 *	3/2003	Williams et al.	348/836

* cited by examiner

Primary Examiner — Freda Nunn

(57) **CLAIM**

I claim the ornamental design for a video display device, as shown and described.

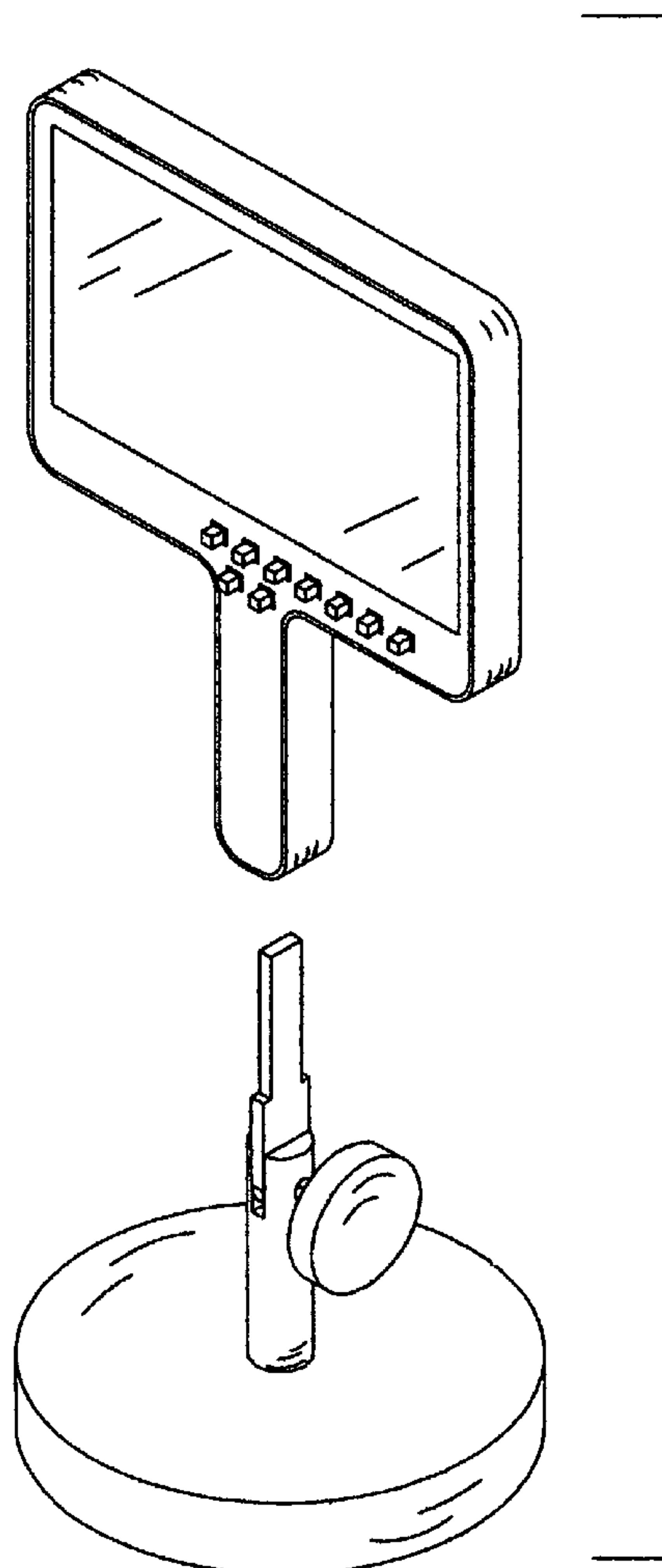
DESCRIPTION

FIG. 1 shows a front perspective view of the design with the display mounted on a base in a vertical position.

FIG. 2 shows a front perspective view of the design with the display mounted on a base in a angled position; and,

FIG. 3 shows a front perspective view of the design with the display removed from the base so it can be hand held.

1 Claim, 3 Drawing Sheets



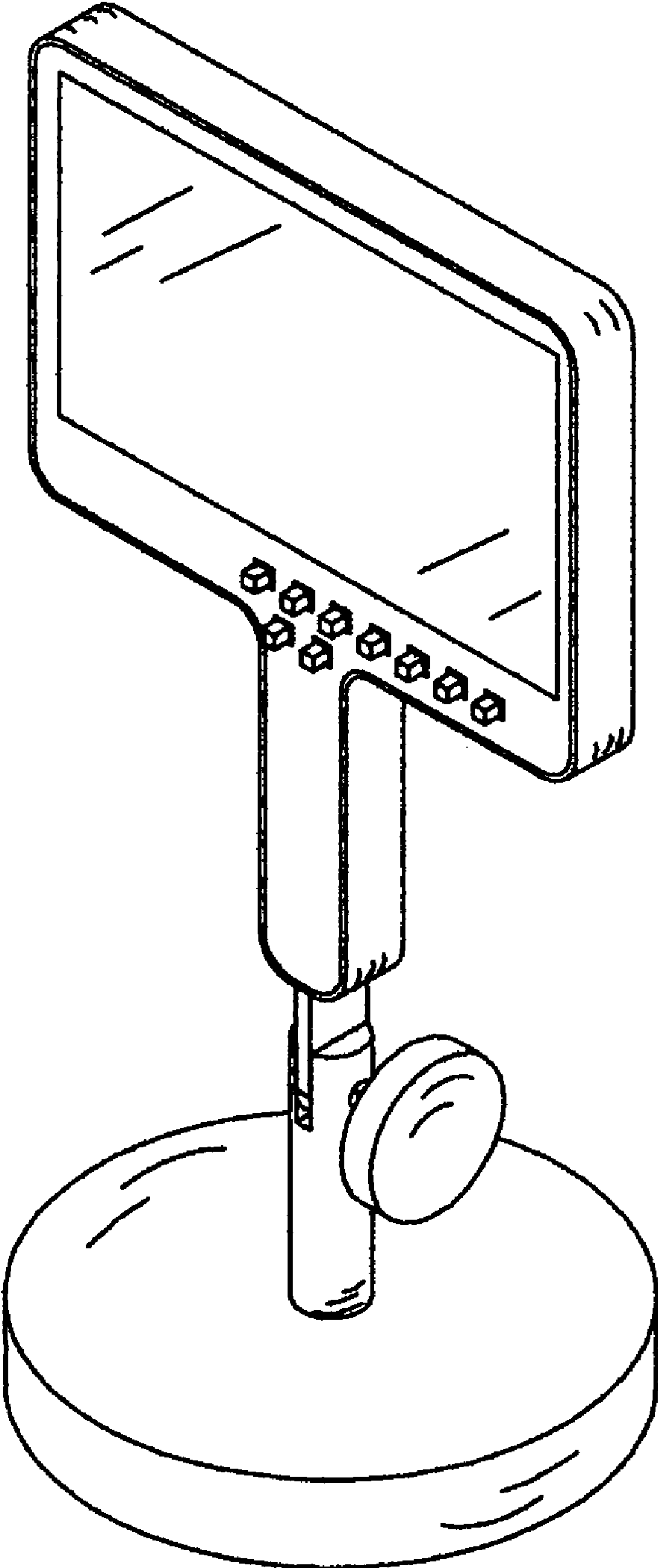


FIG. 1

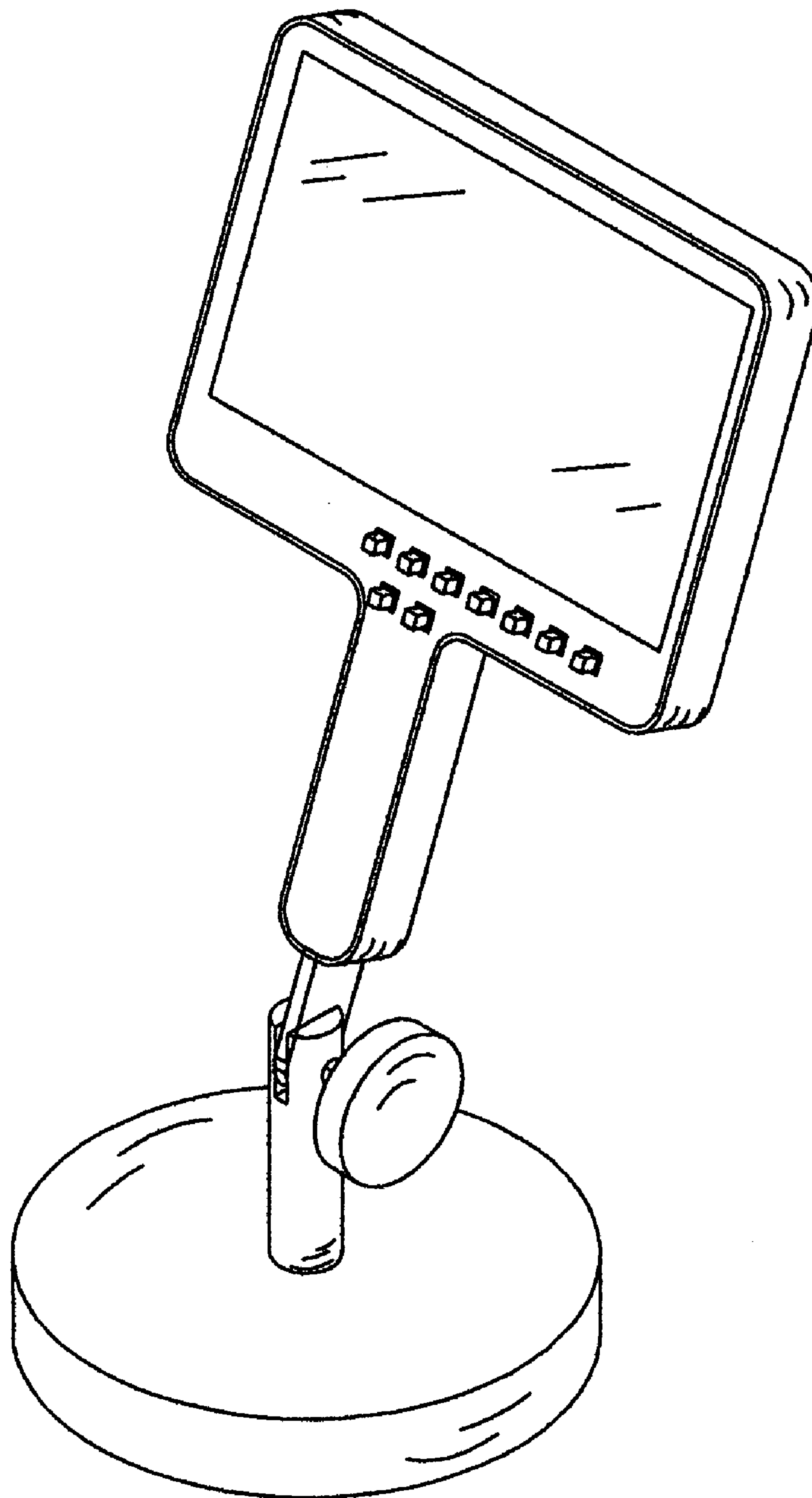


FIG. 2

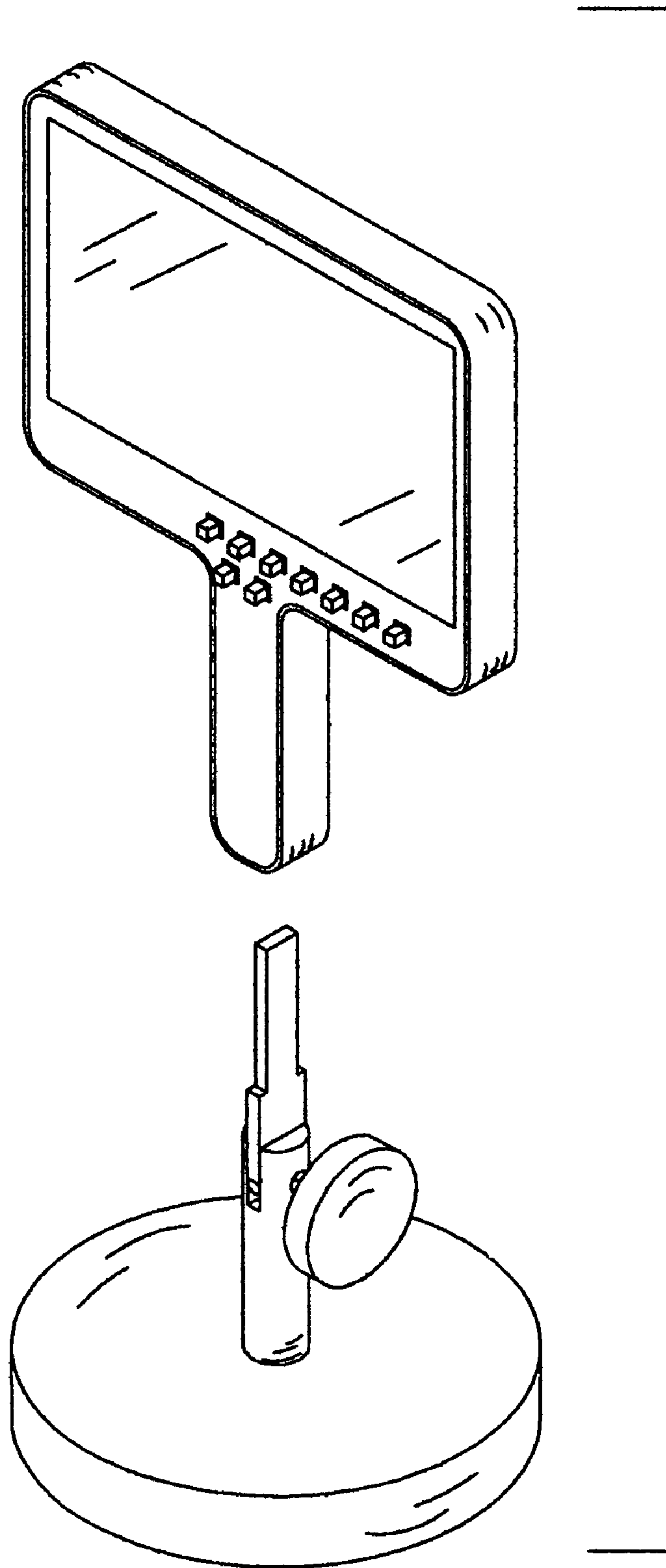


FIG. 3