



US00D644212S

(12) **United States Design Patent**
Quek

(10) **Patent No.:** **US D644,212 S**

(45) **Date of Patent:** **** Aug. 30, 2011**

(54) **HEADPHONES**

(75) **Inventor:** **Bernard Peng Koon Quek**, Singapore
(SG)

(73) **Assignee:** **Sennheiser electronic GmbH & Co.**
KG, Wedemark (DE)

(**) **Term:** **14 Years**

(21) **Appl. No.:** **29/364,250**

(22) **Filed:** **Jun. 21, 2010**

(30) **Foreign Application Priority Data**

Dec. 23, 2009 (EM) 1186191

(51) **LOC (9) Cl.** **14-01**

(52) **U.S. Cl.** **D14/223**

(58) **Field of Classification Search** D14/205,
D14/206, 223; 181/129, 130, 135; 381/380,
381/381; 379/430, 431; D24/174; 128/864,
128/866; 455/90.3, 569.1, 575.1

See application file for complete search history.

(56) **References Cited**

U.S. PATENT DOCUMENTS

4,981,194	A *	1/1991	Kamon et al.	181/129
D331,062	S *	11/1992	Kanno	D14/223
D337,118	S *	7/1993	Seikita	D14/223
D337,589	S *	7/1993	Wada	D14/223
D340,932	S *	11/1993	Yan	D14/249
D353,379	S *	12/1994	Nakamura et al.	D14/223
D357,921	S *	5/1995	Ming-Chin	D14/223
D371,368	S *	7/1996	Hayashi	D14/223
D402,661	S *	12/1998	Hayashi	D14/223
6,449,374	B1 *	9/2002	Skulley et al.	381/381

D463,789	S *	10/2002	DeKalb et al.	D14/223
D470,122	S *	2/2003	Hlas et al.	D14/205
D470,123	S *	2/2003	Hlas et al.	D14/205
D510,337	S *	10/2005	Tages	D14/205
D533,868	S *	12/2006	Koizumi	D14/223
D554,627	S *	11/2007	Gondo	D14/223
D557,689	S *	12/2007	Huang	D14/223
D566,687	S *	4/2008	Duarte et al.	D14/205
7,447,308	B2 *	11/2008	Tsai	379/430
D583,804	S *	12/2008	Mahler et al.	D14/223
D584,284	S *	1/2009	Carr et al.	D14/206
D593,537	S *	6/2009	Arimoto	D14/205
D596,616	S *	7/2009	Andre et al.	D14/205
D607,880	S *	1/2010	Chung et al.	D14/223
D626,117	S *	10/2010	Lowry	D14/223
D627,765	S *	11/2010	Zheng	D14/223

* cited by examiner

Primary Examiner — Paula Greene

(74) *Attorney, Agent, or Firm* — Kilpatrick Townsend & Stockton LLP

(57) **CLAIM**

The ornamental design for headphones, as shown and described.

DESCRIPTION

FIG. 1 is a perspective view of a headphones showing my new design;

FIG. 2 is a front elevational view thereof;

FIG. 3 is a left side elevational view thereof;

FIG. 4 is a right side elevational view thereof;

FIG. 5 is a rear elevational view thereof;

FIG. 6 is a bottom plan view thereof; and,

FIG. 7 is a top plan view thereof.

The broken lines form no part of the claimed design.

1 Claim, 7 Drawing Sheets

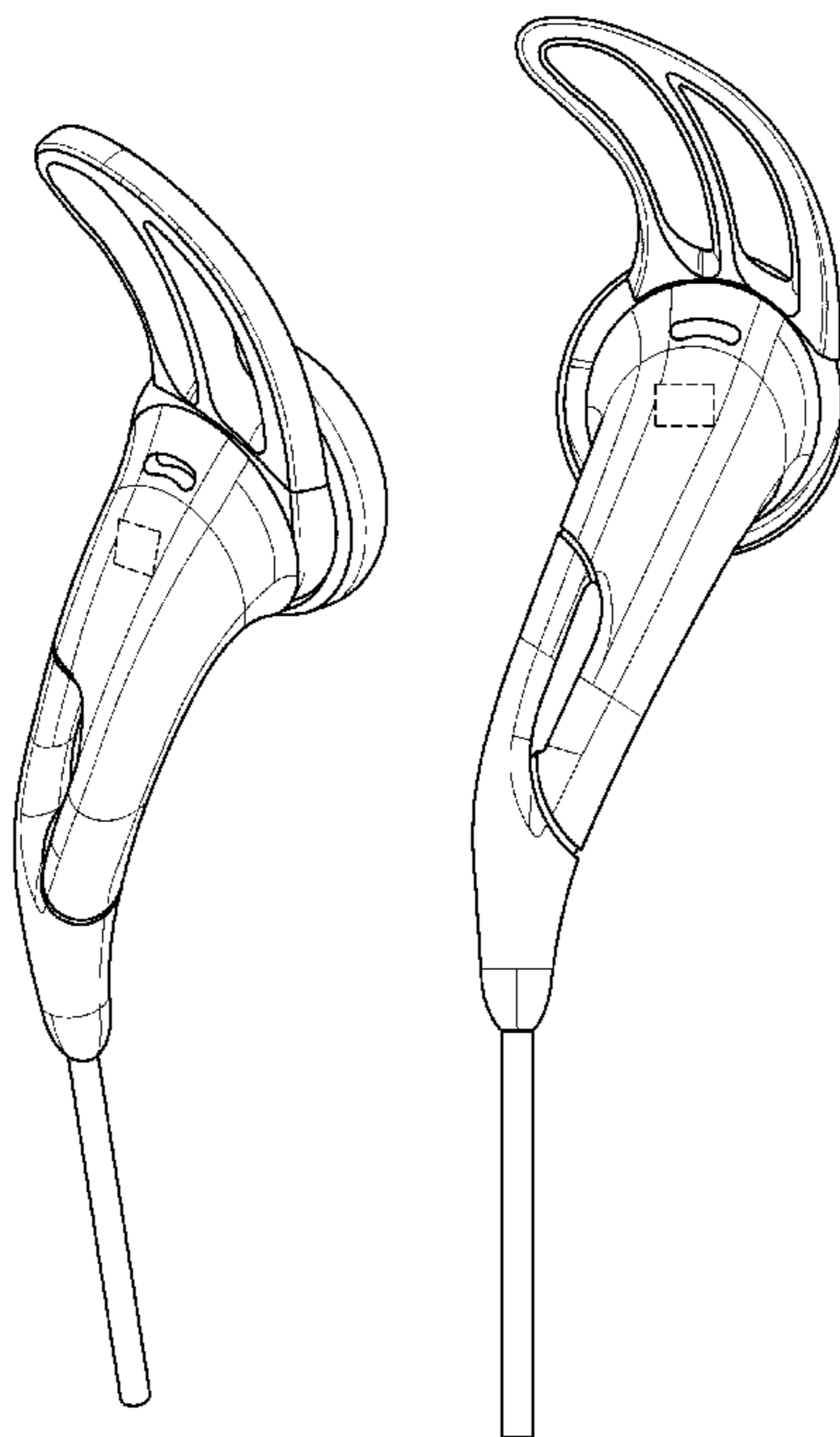




FIG. 1

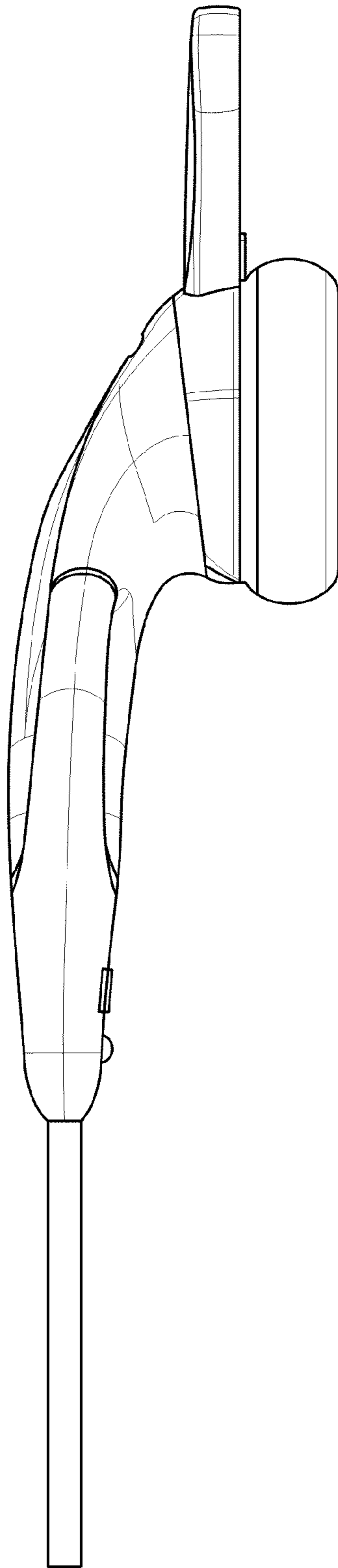


FIG. 2

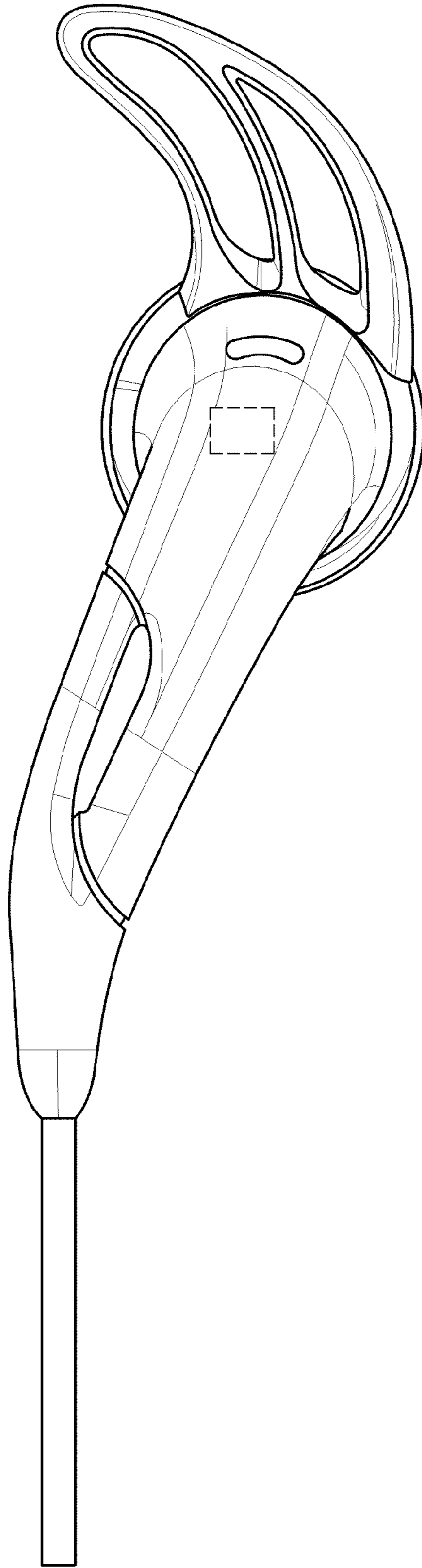


FIG. 3

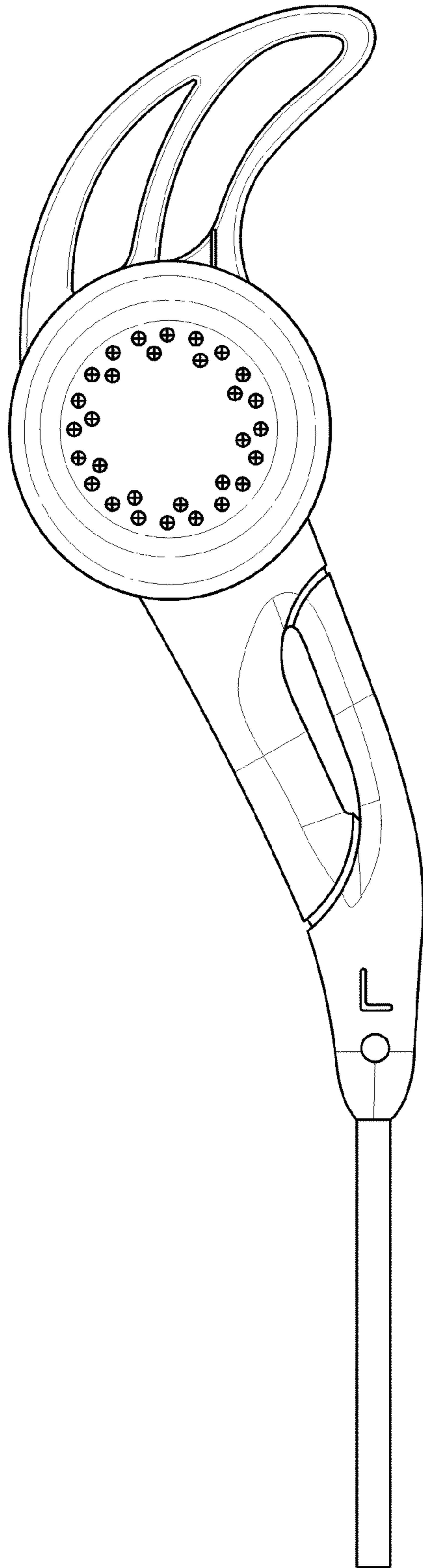


FIG. 4



FIG. 5

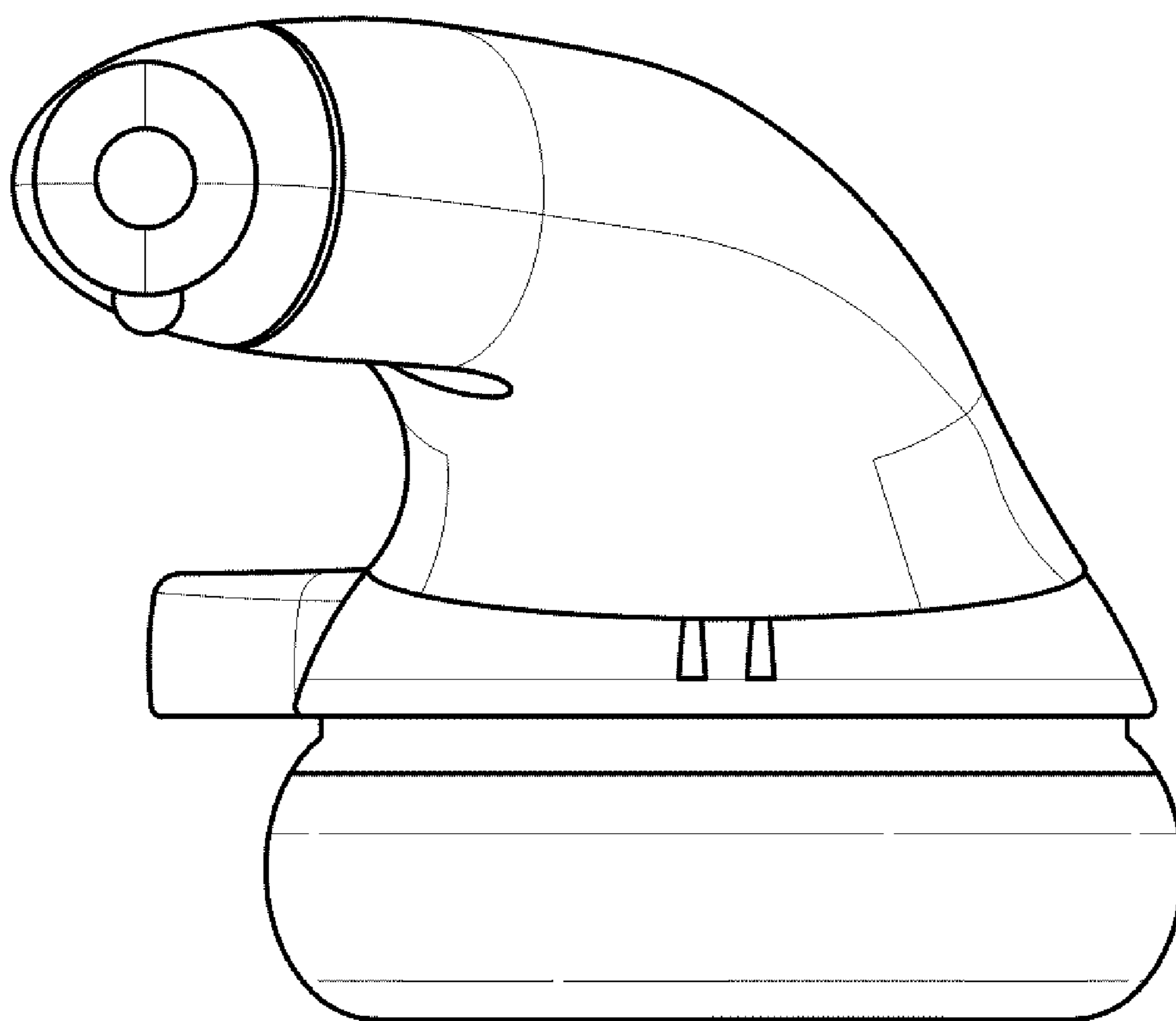


FIG.6

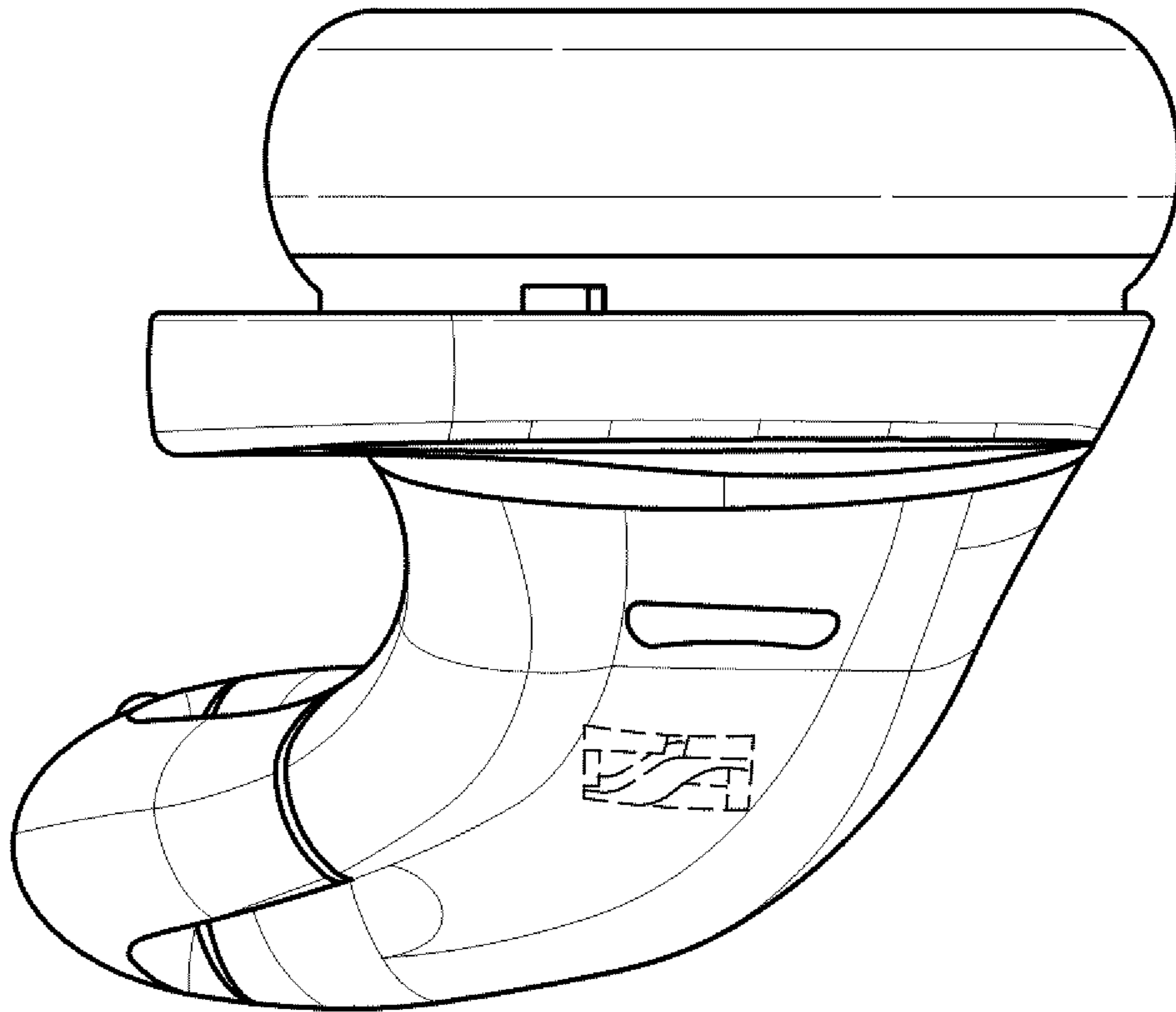


FIG. 7