

US00D644211S

(12) **United States Design Patent**
Hao et al.

(10) **Patent No.:** **US D644,211 S**

(45) **Date of Patent:** **** Aug. 30, 2011**

(54) **SPEAKER**

(75) Inventors: **Ju-Lan Hao**, Shenzhen (CN);
Man-Zhong Wang, Shenzhen (CN);
Te-Hua Lee, Taipei Hsien (TW)

(73) Assignee: **Hon Hai Precision Industry Co., Ltd.**,
Tu-Cheng, New Taipei (TW)

(**) Term: **14 Years**

(21) Appl. No.: **29/362,626**

(22) Filed: **May 27, 2010**

(30) **Foreign Application Priority Data**

Dec. 2, 2009 (TW) 98305732

(51) **LOC (9) Cl.** **14-01**

(52) **U.S. Cl.** **D14/219; D14/225**

(58) **Field of Classification Search** D14/204,
D14/207, 210–216, 219–222, 172, 225–229;
181/143–144, 147–148, 150–153, 157, 198–199;
381/300–303, 306, 332–333, 336, 345, 361–364,
381/386–388

See application file for complete search history.

(56) **References Cited**

U.S. PATENT DOCUMENTS

D105,226	S	*	7/1937	Moore	D14/226
D195,965	S	*	8/1963	Spilman	D14/225
D249,682	S	*	9/1978	Kushida et al.	D14/225
D323,327	S	*	1/1992	Davidson	D14/219
D448,019	S	*	9/2001	Cebe et al.	D14/225
D503,398	S	*	3/2005	Haase et al.	D14/225
D567,807	S	*	4/2008	Bodley et al.	D14/225

* cited by examiner

Primary Examiner — Nanda Bondade

(74) *Attorney, Agent, or Firm* — Altis Law Group, Inc.

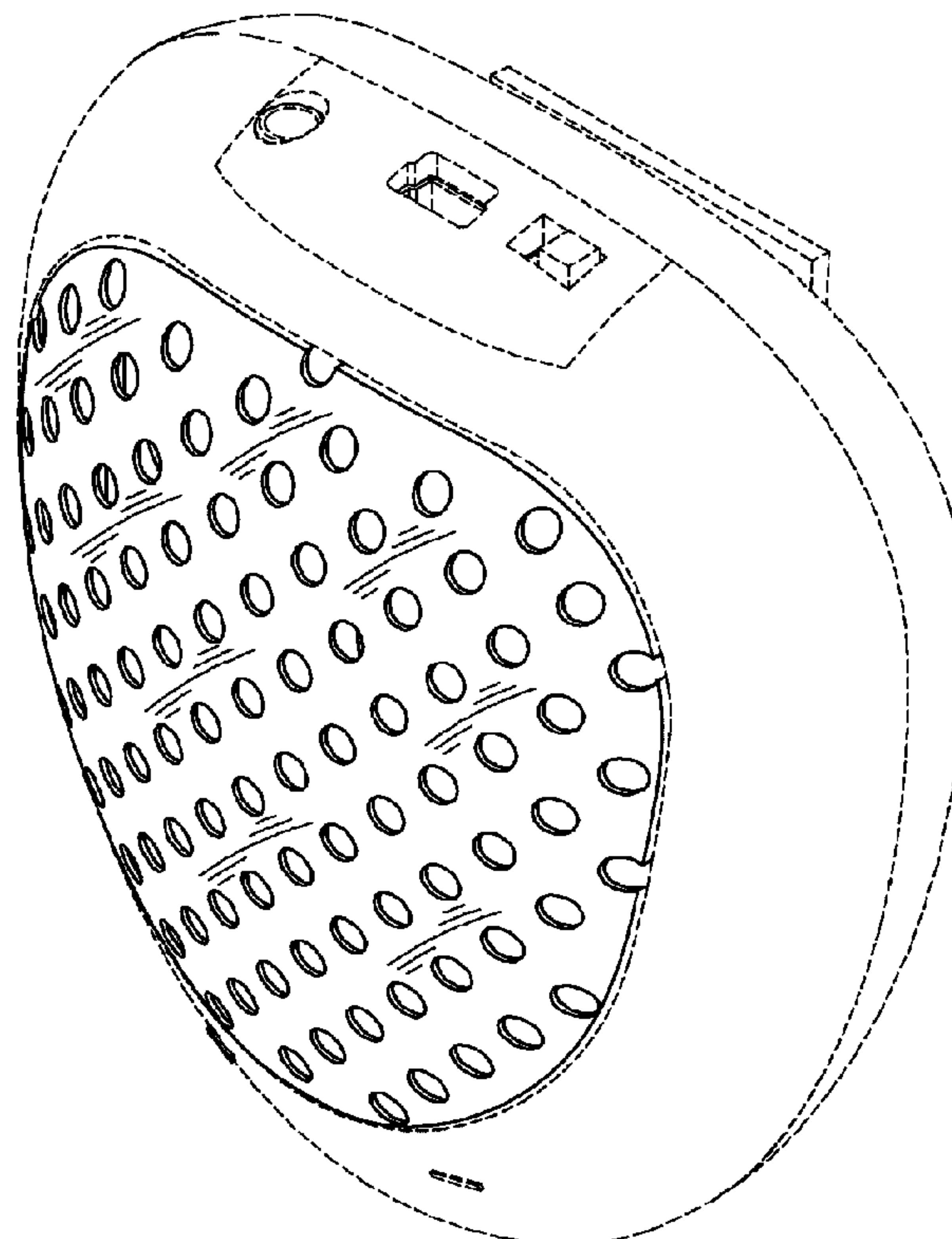
(57) **CLAIM**

The ornamental design for a speaker, as shown and described.

DESCRIPTION

FIG. 1 is a perspective view of a speaker showing our design; FIG. 2 is a front elevational view thereof; FIG. 3 is a rear elevational view thereof; FIG. 4 is a left side, elevational view thereof; FIG. 5 is a right side, elevational view thereof; FIG. 6 is a top plan view thereof; FIG. 7 is a bottom plan view thereof; and, FIG. 8 is another perspective view of FIG. 1. Broken lines shown in the drawings are for illustrative purposes only, and form no part of the claimed design.

1 Claim, 8 Drawing Sheets



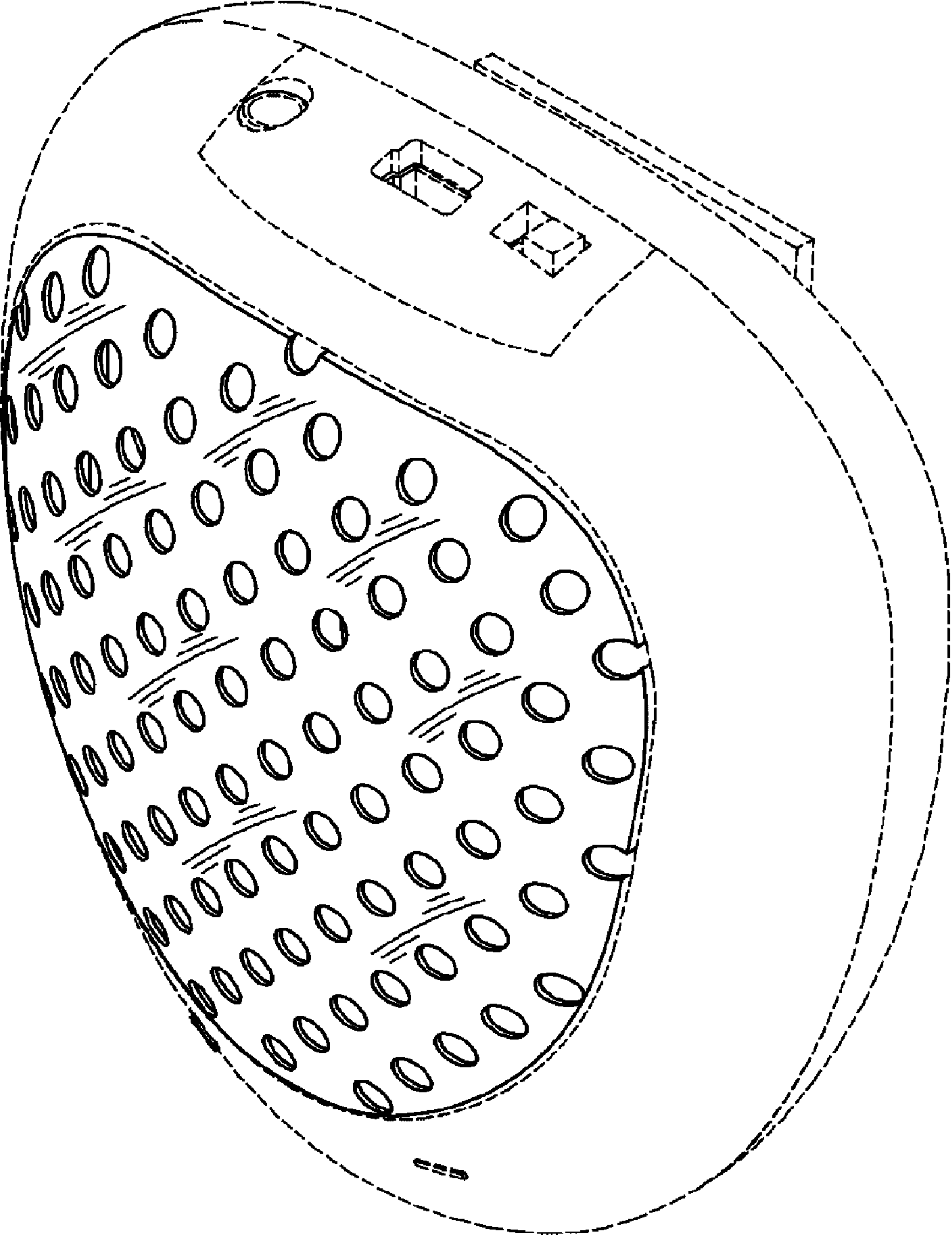


FIG. 1

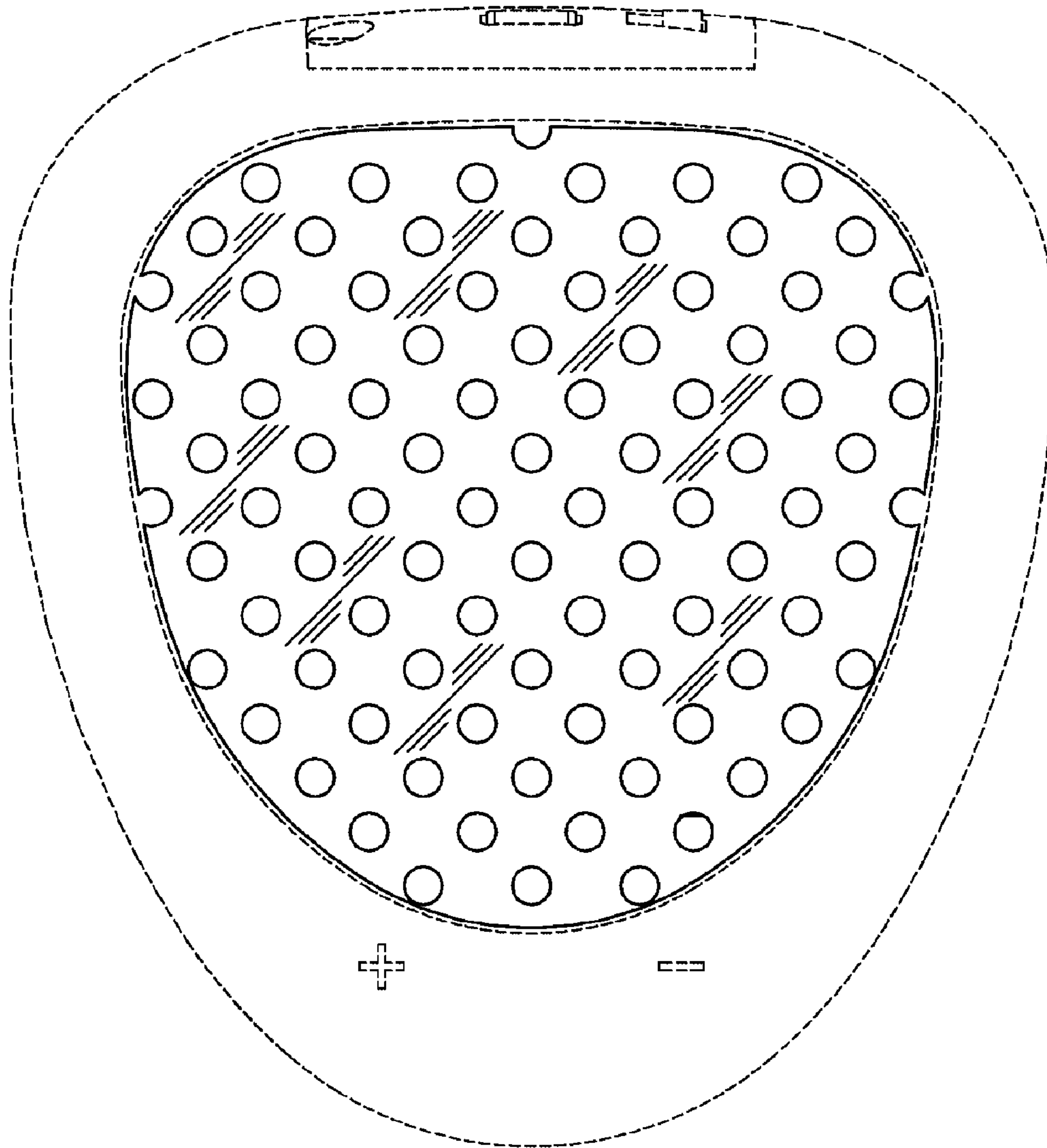


FIG. 2

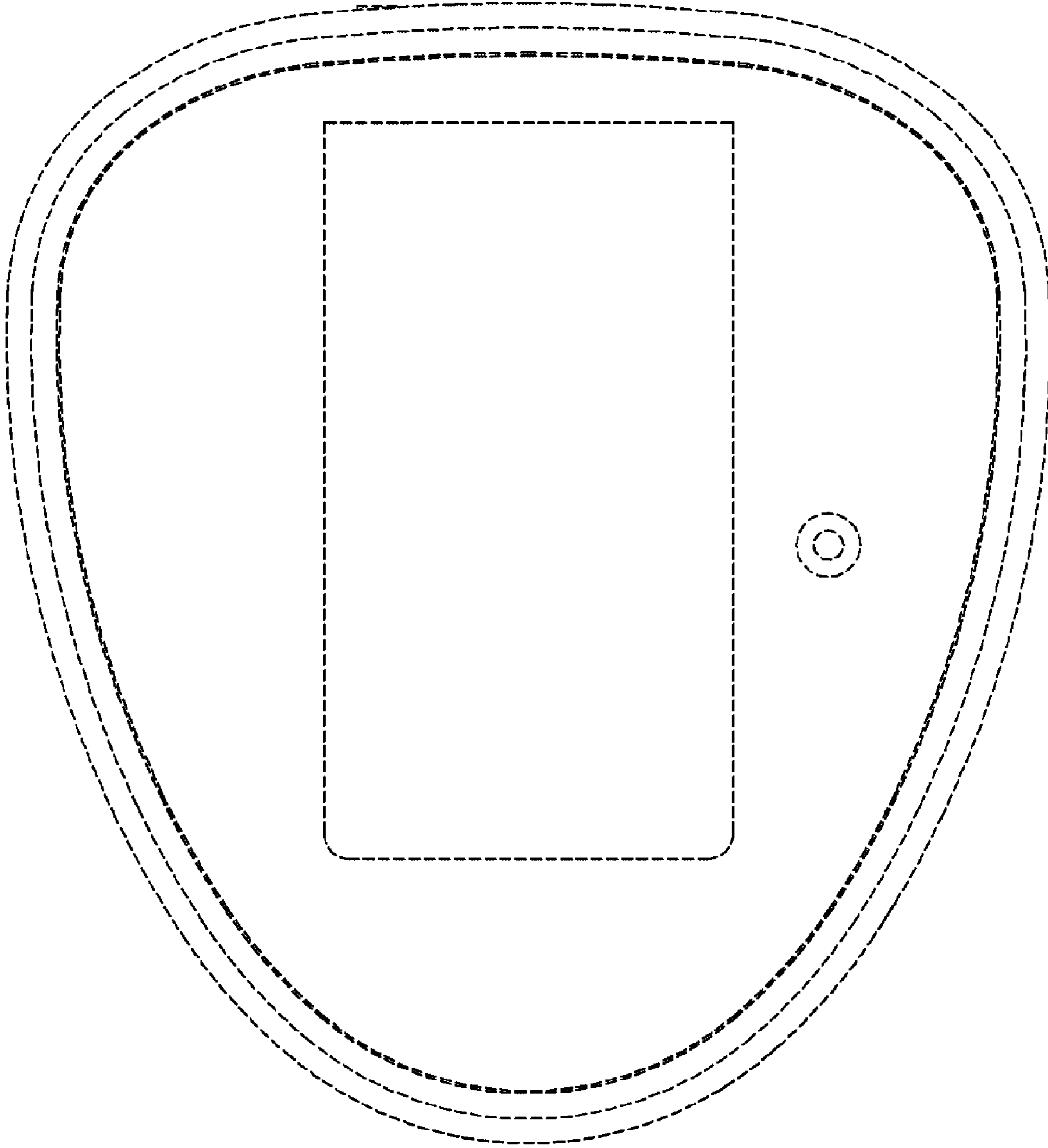


FIG. 3

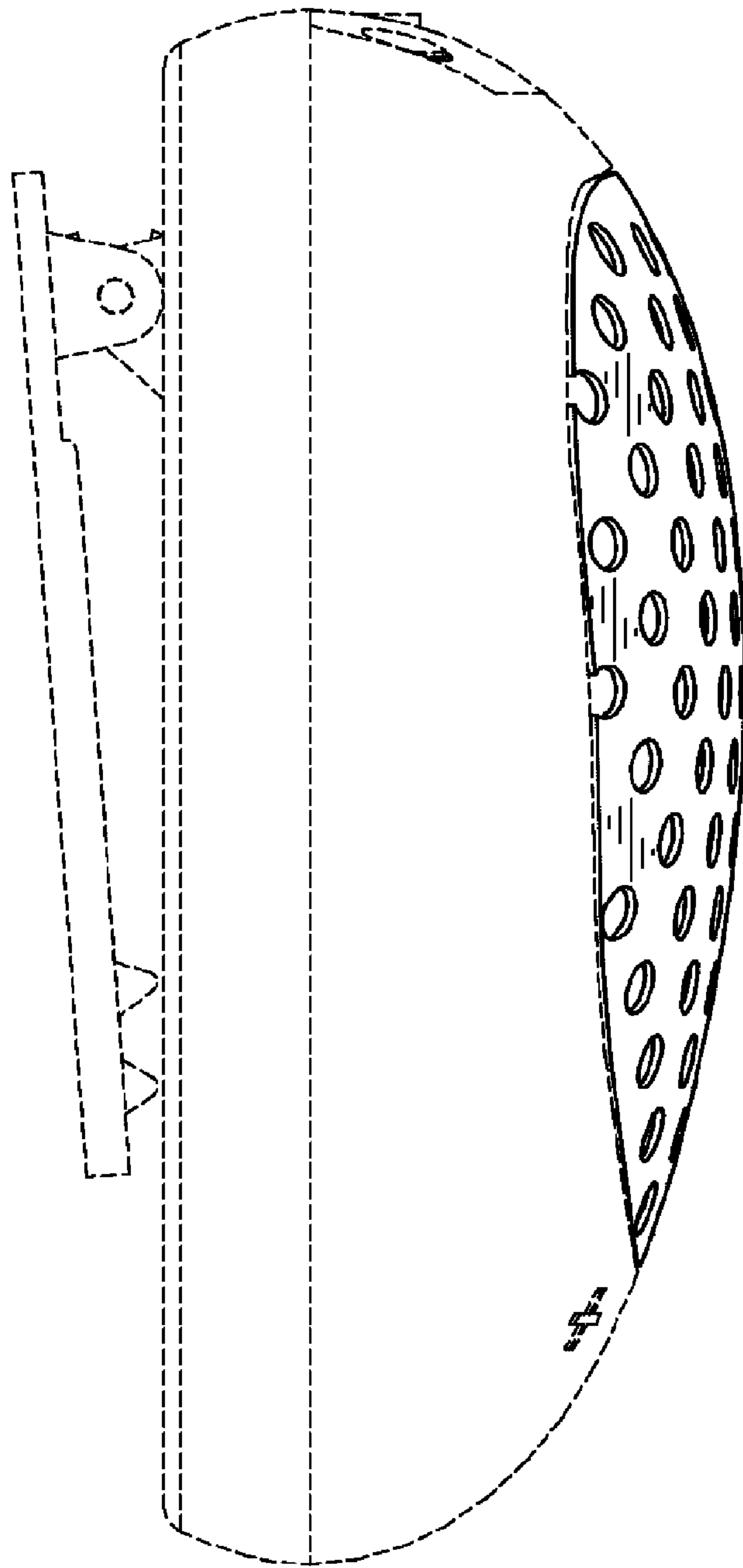


FIG. 4

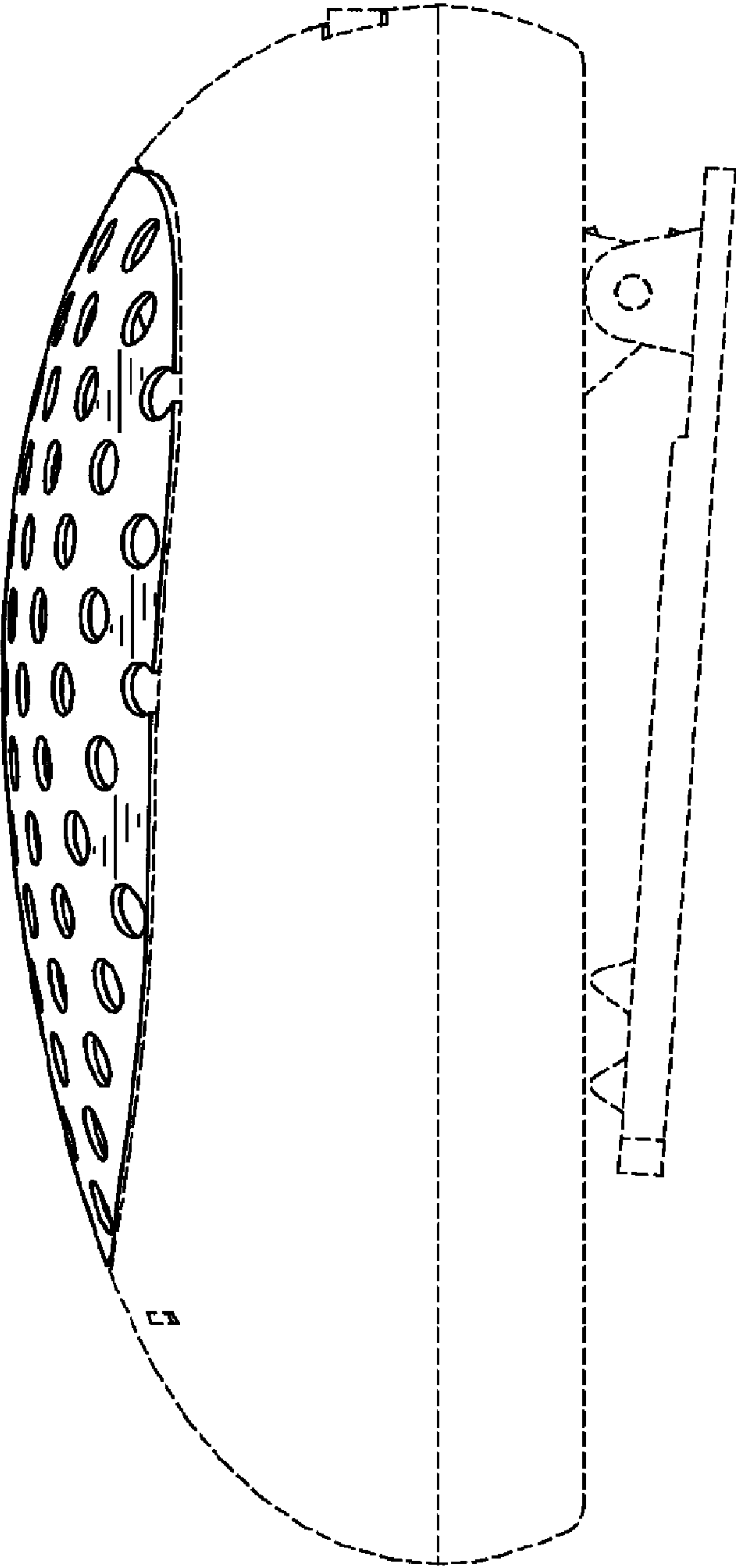


FIG. 5

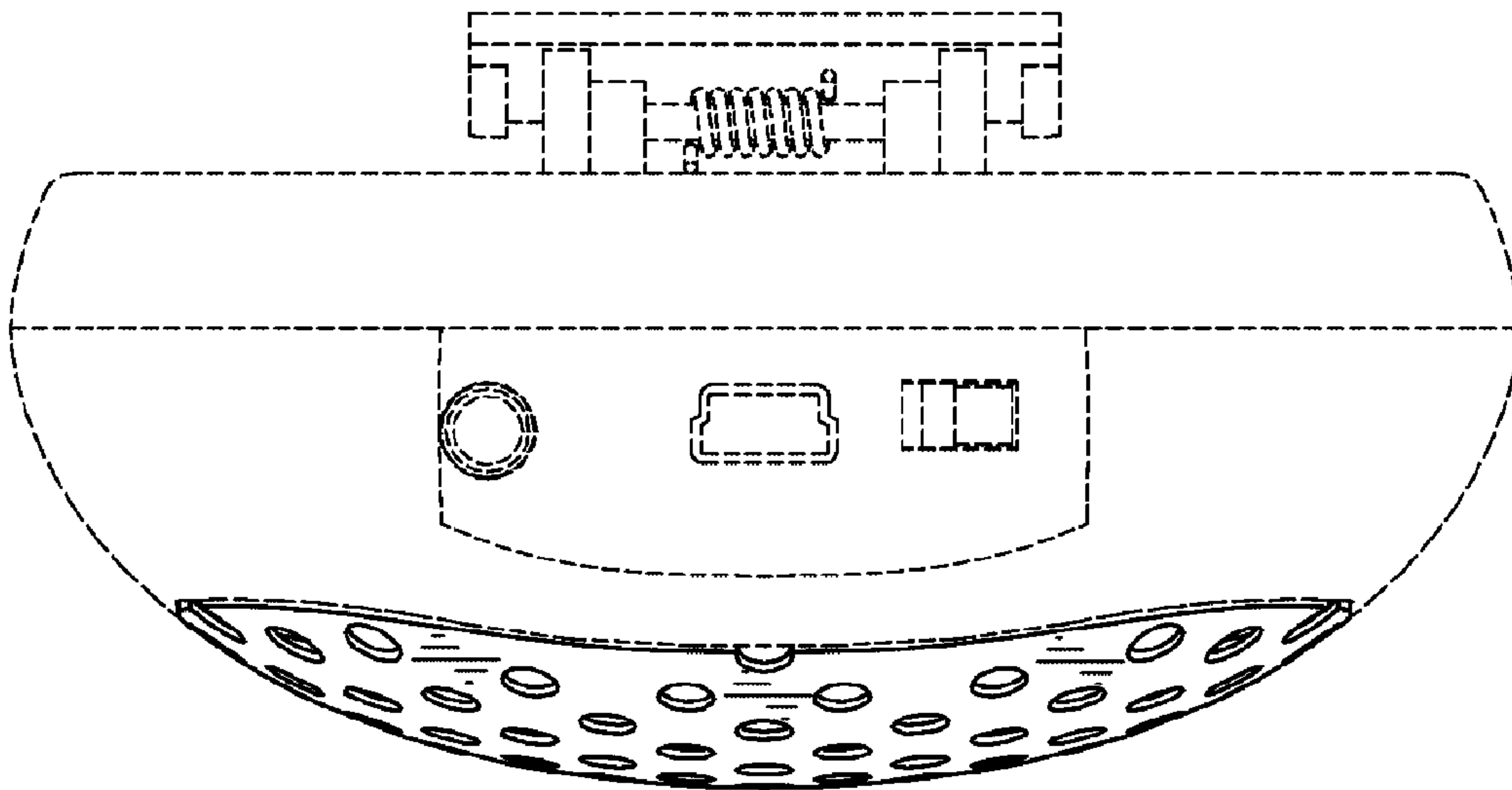


FIG. 6

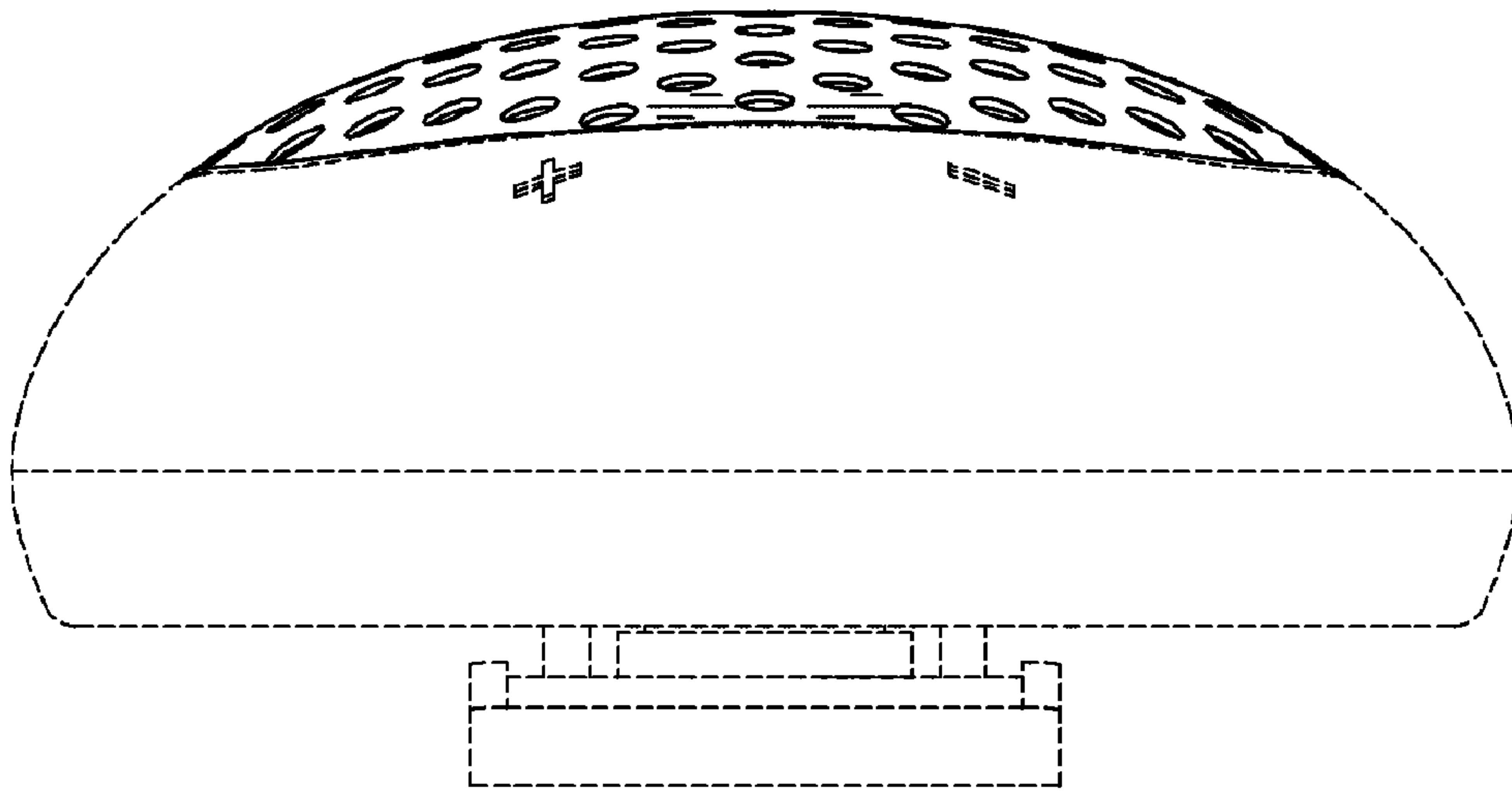


FIG. 7

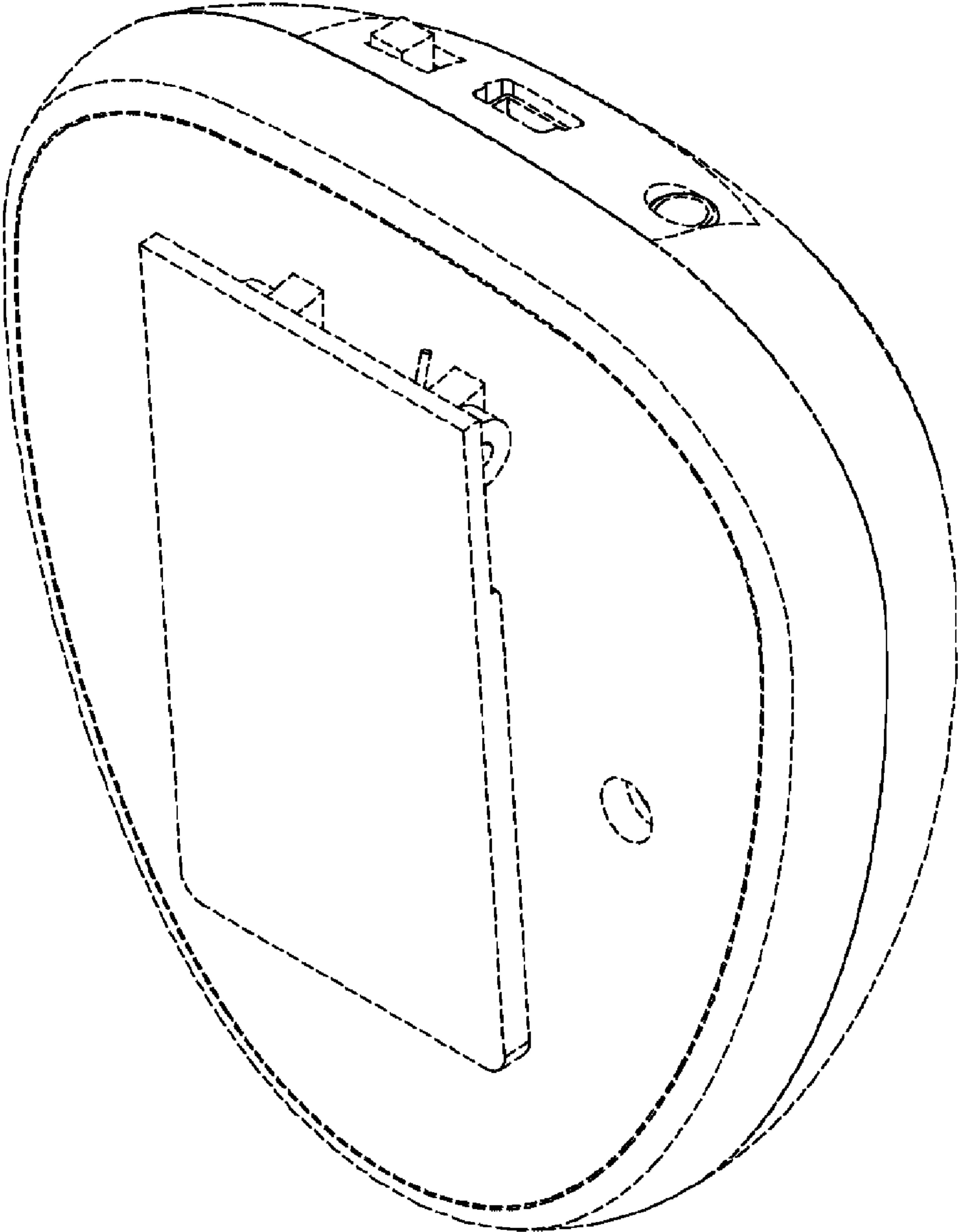


FIG. 8