



US00D644210S

(12) **United States Design Patent**
Chiu

(10) **Patent No.:** **US D644,210 S**

(45) **Date of Patent:** **** Aug. 30, 2011**

(54) **REMOTE CONTROL**

(75) Inventor: **Yi-Chung Chiu**, Taoyuan County (TW)

(73) Assignee: **Hannspree Inc.**, Taipei County (TW)

(**) Term: **14 Years**

(21) Appl. No.: **29/387,924**

(22) Filed: **Mar. 21, 2011**

(51) **LOC (9) Cl.** **14-03**

(52) **U.S. Cl.** **D14/218**

(58) **Field of Classification Search** D14/218,
D14/455; D13/168; D21/566; D10/104,
D10/106; 345/169; 348/14.05, 114, 211.99,
348/734; 340/825.24; 341/22; 455/92, 95,
455/128, 151.1–151.4, 352, 355, FOR. 121;
700/65

See application file for complete search history.

D616,421 S *	5/2010	Chiu	D14/218
D619,121 S *	7/2010	Feldstein et al.	D14/218
D626,943 S *	11/2010	Chiu	D14/218
D629,392 S *	12/2010	Chiu	D14/218
D632,262 S *	2/2011	Feldstein et al.	D13/164
D633,085 S *	2/2011	Chiu	D14/218
D637,178 S *	5/2011	Chiu	D14/218

* cited by examiner

Primary Examiner — Celia Murphy

Assistant Examiner — John Windmuller

(74) *Attorney, Agent, or Firm* — Schmeiser Olson & Watts LLP

(57) **CLAIM**

The ornamental design for a remote control, as shown and described.

DESCRIPTION

FIG. 1 is a front perspective view of a remote control showing our new design;

FIG. 2 is a front elevation view thereof;

FIG. 3 is a rear elevation view thereof;

FIG. 4 is a left side elevation view thereof;

FIG. 5 is a top plan view thereof; and,

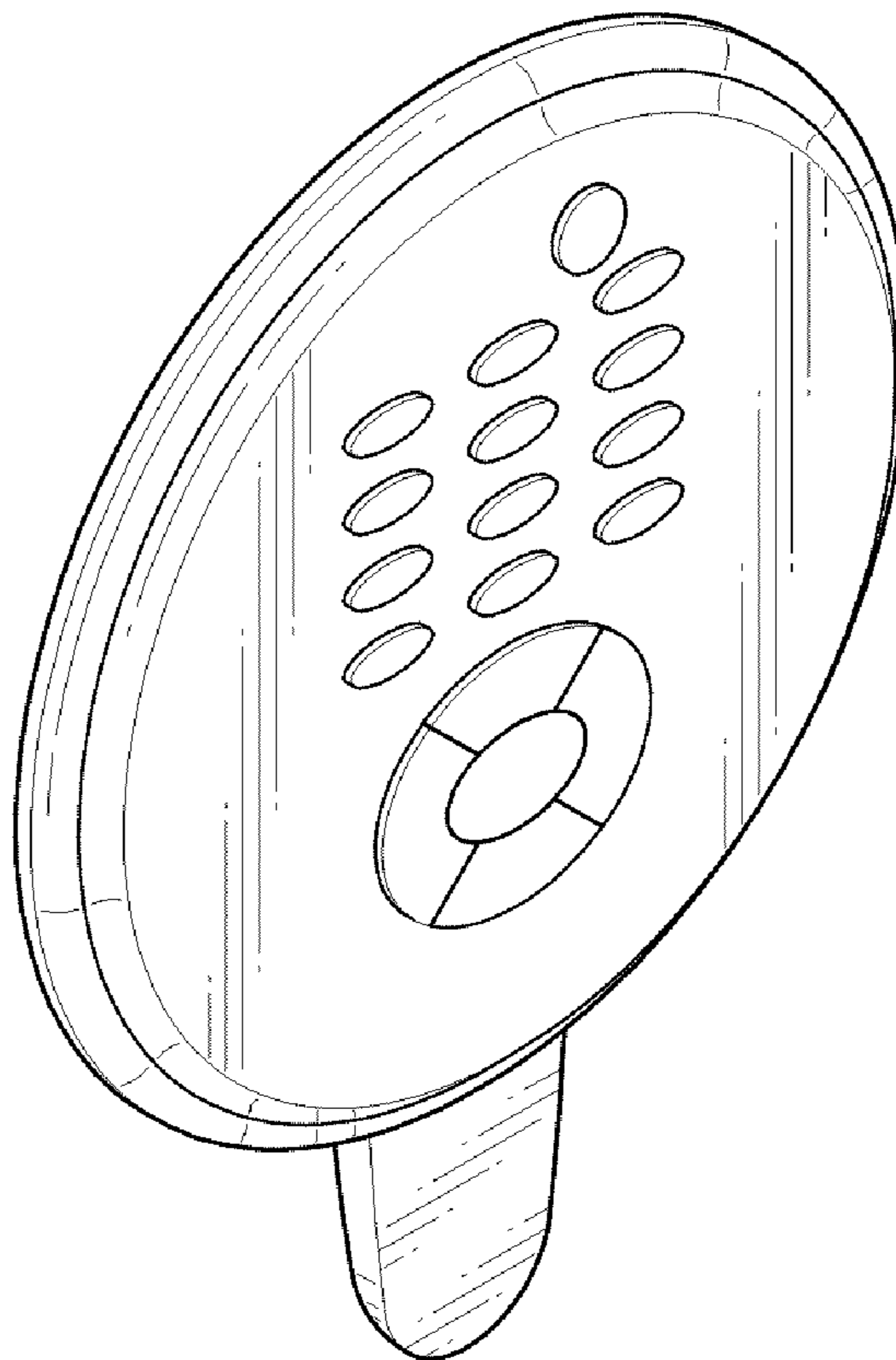
FIG. 6 is a bottom plan view thereof.

1 Claim, 3 Drawing Sheets

(56) **References Cited**

U.S. PATENT DOCUMENTS

D484,279 S *	12/2003	Prince et al.	D28/64.6
D497,882 S *	11/2004	Huang	D13/168
D518,030 S *	3/2006	Lin	D14/218
D519,989 S *	5/2006	Wu	D14/218
D521,461 S *	5/2006	Lin	D13/168
D582,396 S *	12/2008	Sun et al.	D14/218
D593,074 S *	5/2009	Tsao	D14/218



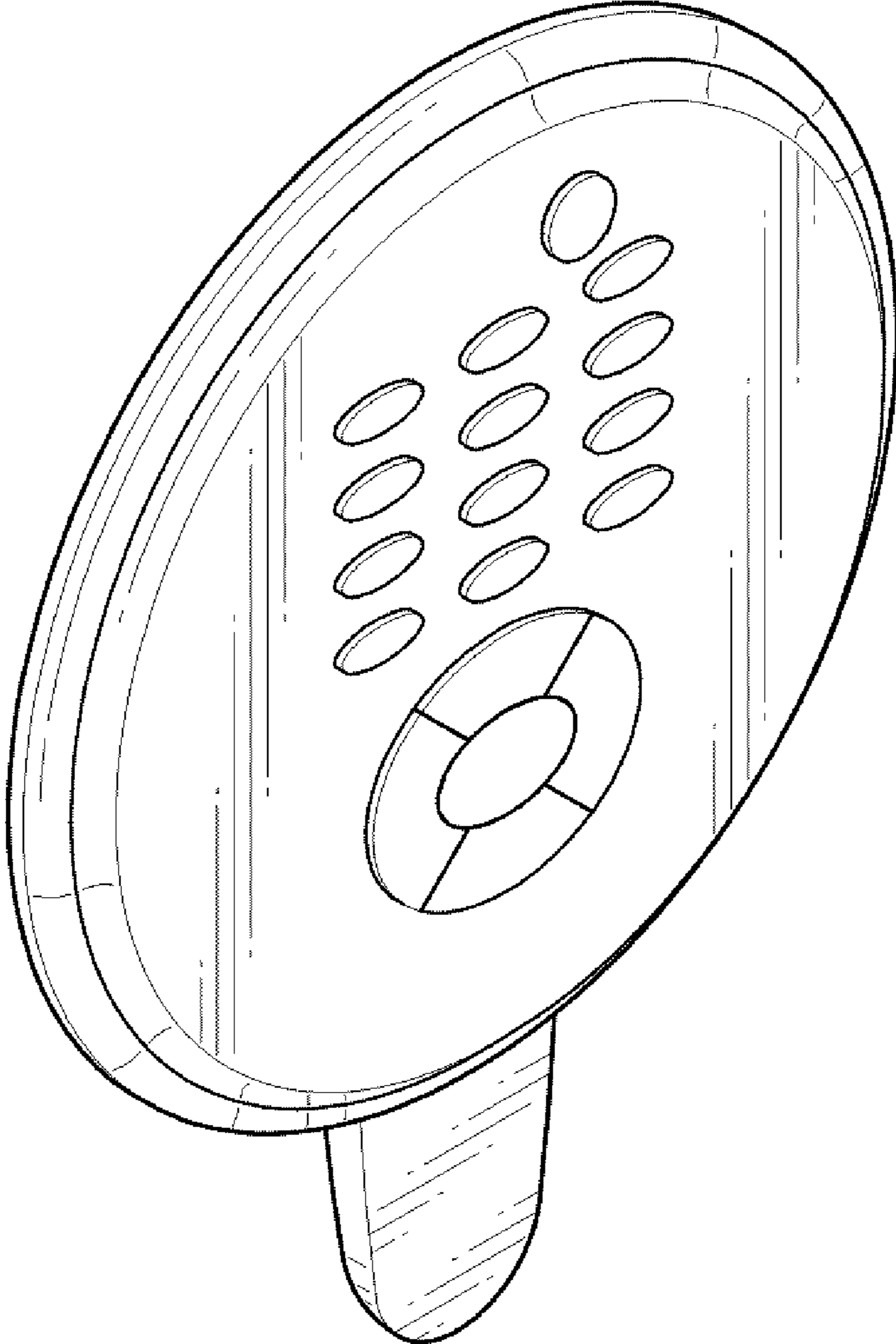


FIG. 1

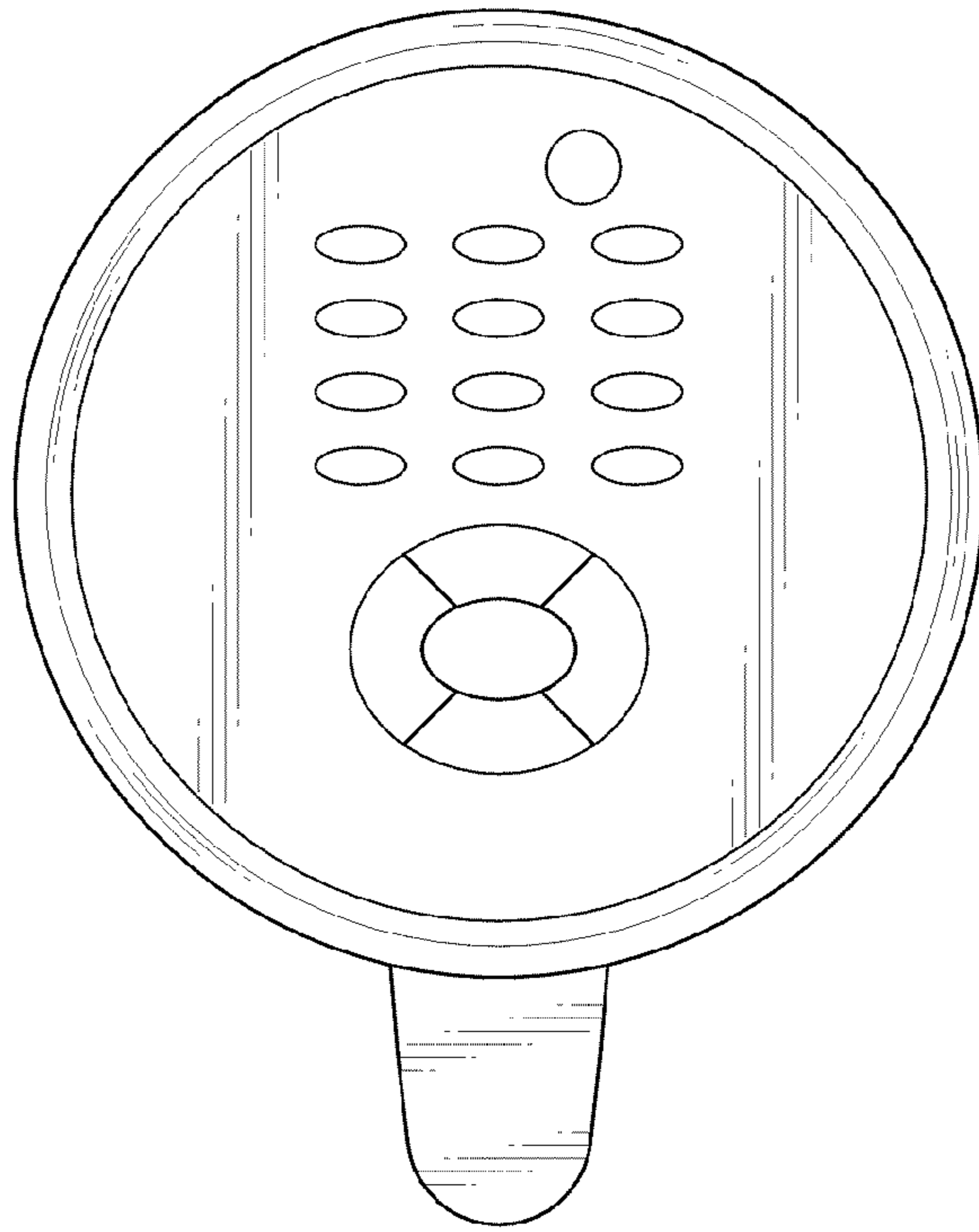


FIG. 2

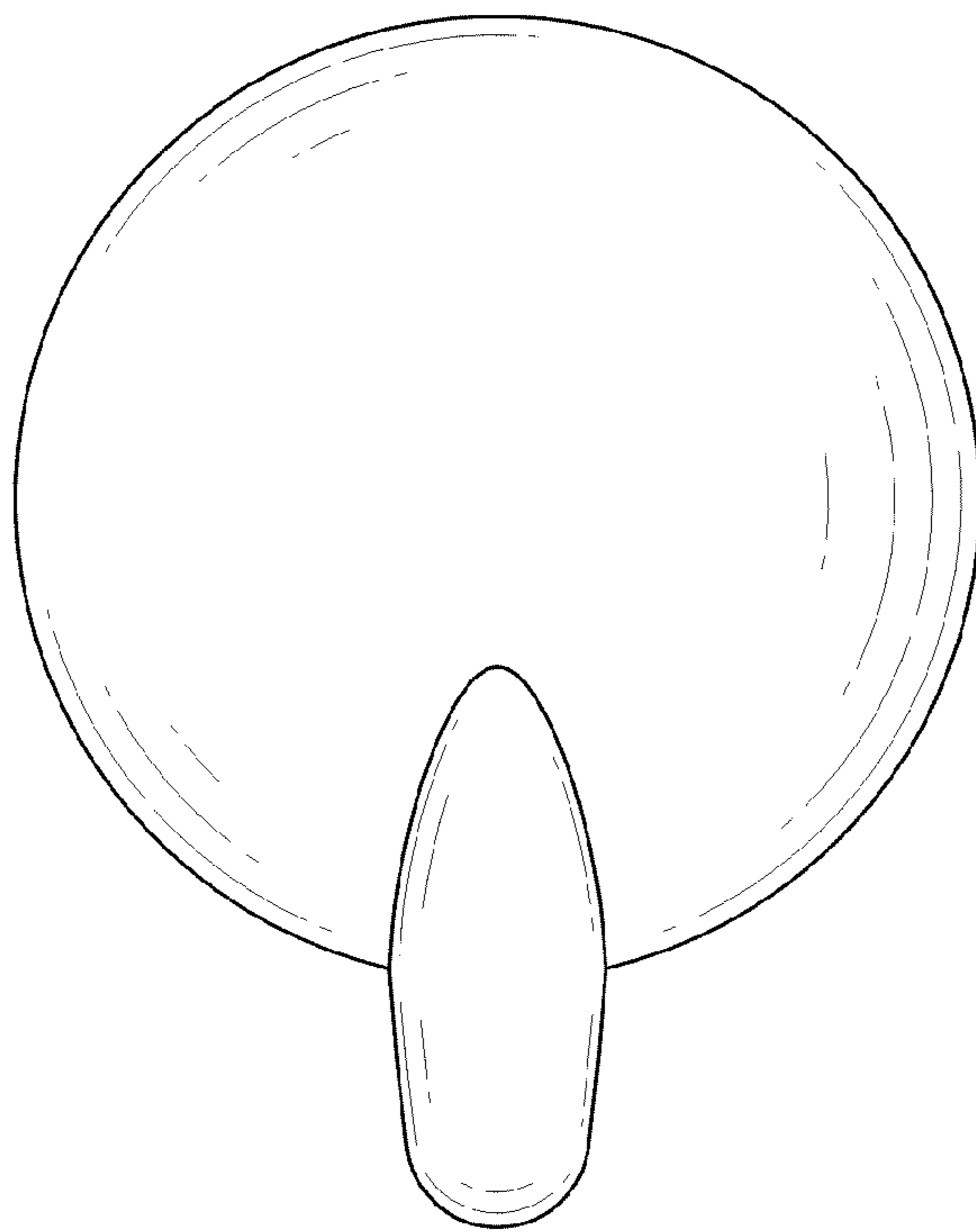


FIG. 3

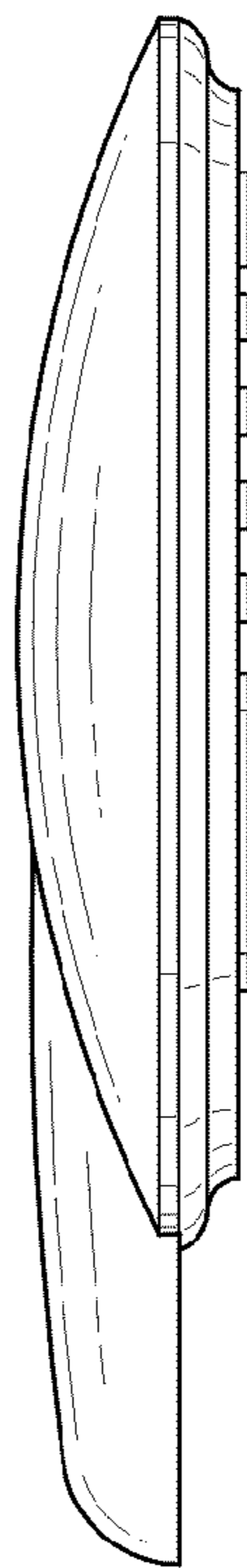


FIG. 4

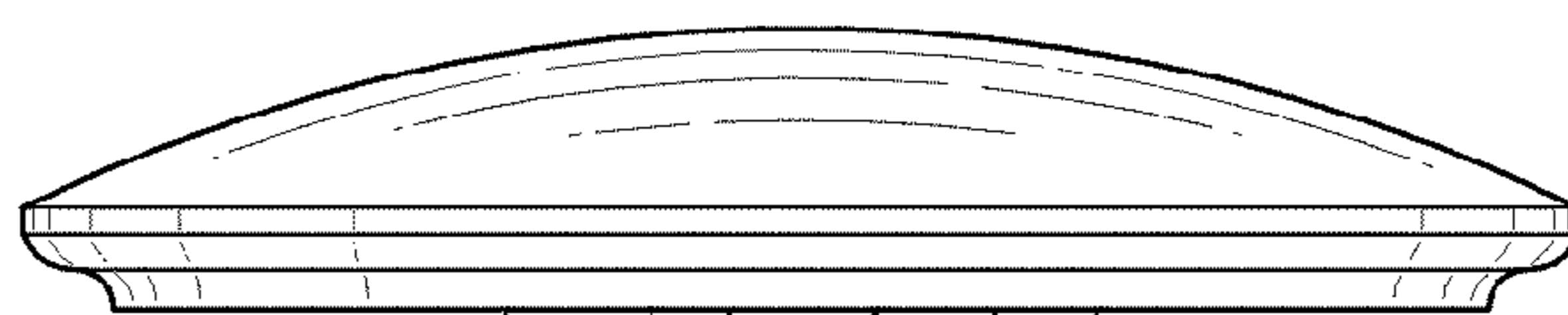


FIG. 5



FIG. 6