

US00D644209S

(12) **United States Design Patent**
Nardin et al.

(10) **Patent No.:** **US D644,209 S**

(45) **Date of Patent:** **** Aug. 30, 2011**

(54) **REMOTE CONTROL**

(56) **References Cited**

(75) Inventors: **Emmanuel Nardin**, Vanves (FR);
Nicolas Regentete, Paris (FR); **Fabien**
Deboves, Vanves (FR); **Axel Lehovetzki**,
Paris (FR)

(73) Assignee: **Devialet**, Paris (FR)

(**) Term: **14 Years**

(21) Appl. No.: **29/347,691**

(22) Filed: **Apr. 12, 2010**

(30) **Foreign Application Priority Data**

Apr. 2, 2010 (EM) 001690553-0002

(51) **LOC (9) Cl.** **14-03**

(52) **U.S. Cl.** **D14/218**

(58) **Field of Classification Search** D14/218,
D14/455; D13/168; D21/566; D10/104,
D10/106; 345/169; 348/14.05, 114, 211.99,
348/734; 340/825.24; 341/22; 455/92, 95,
455/128, 151.1-151.4, 352, 355, FOR. 121;
700/65

See application file for complete search history.

U.S. PATENT DOCUMENTS

D58,808	S	*	8/1921	Morgan	D14/265
D60,362	S	*	2/1922	Morgan	D14/265
1,527,949	A	*	2/1925	Burke	74/10.54
D93,982	S	*	12/1934	Johnson	D10/123
2,081,746	A	*	5/1937	Hollmann	334/32
D204,761	S	*	5/1966	Tilman	D14/265
D498,225	S	*	11/2004	Takeuchi et al.	D14/188
D537,067	S	*	2/2007	Oikawa	D14/188

* cited by examiner

Primary Examiner — Celia Murphy

Assistant Examiner — John Windmuller

(74) *Attorney, Agent, or Firm* — Wenderoth, Lind & Ponack,
L.L.P.

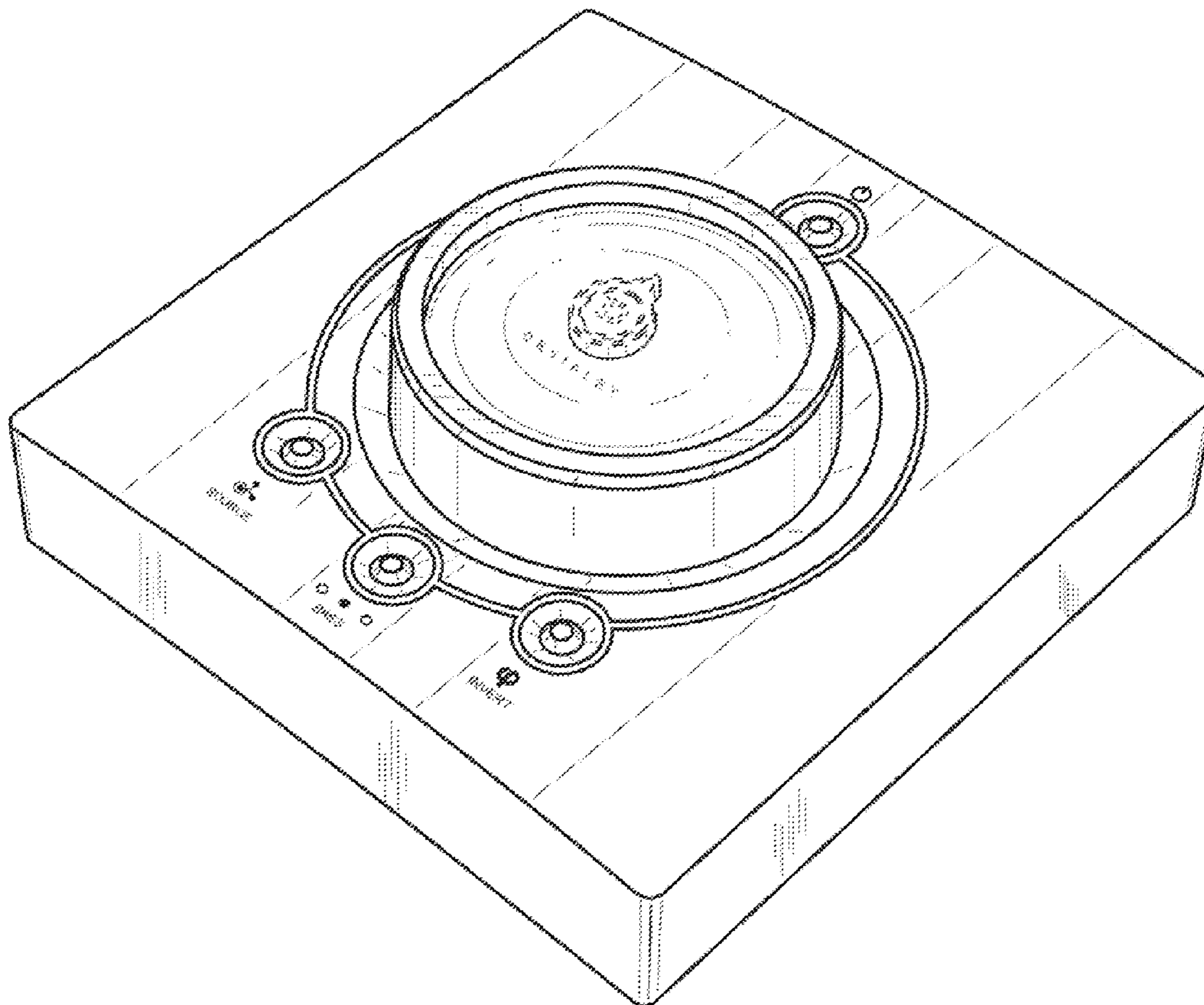
(57) **CLAIM**

The ornamental design for a remote control, as shown and described.

DESCRIPTION

FIG. 1 is a front view of a remote control;
FIG. 2 is a side view thereof;
FIG. 3 is a top view thereof;
FIG. 4 is a bottom view thereof; and,
FIG. 5 is a perspective view thereof.
The portions of the drawings shown in broken lines form no part of the claimed design.

1 Claim, 4 Drawing Sheets



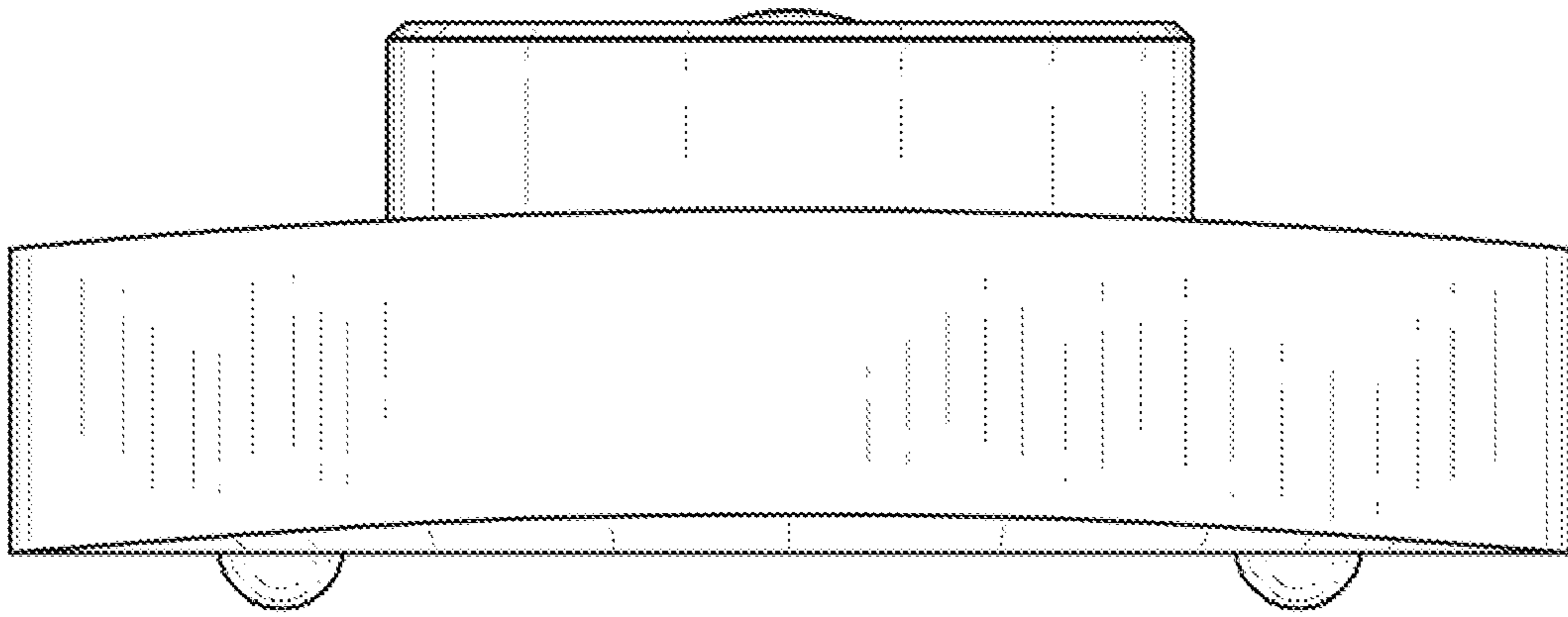


FIG. 1

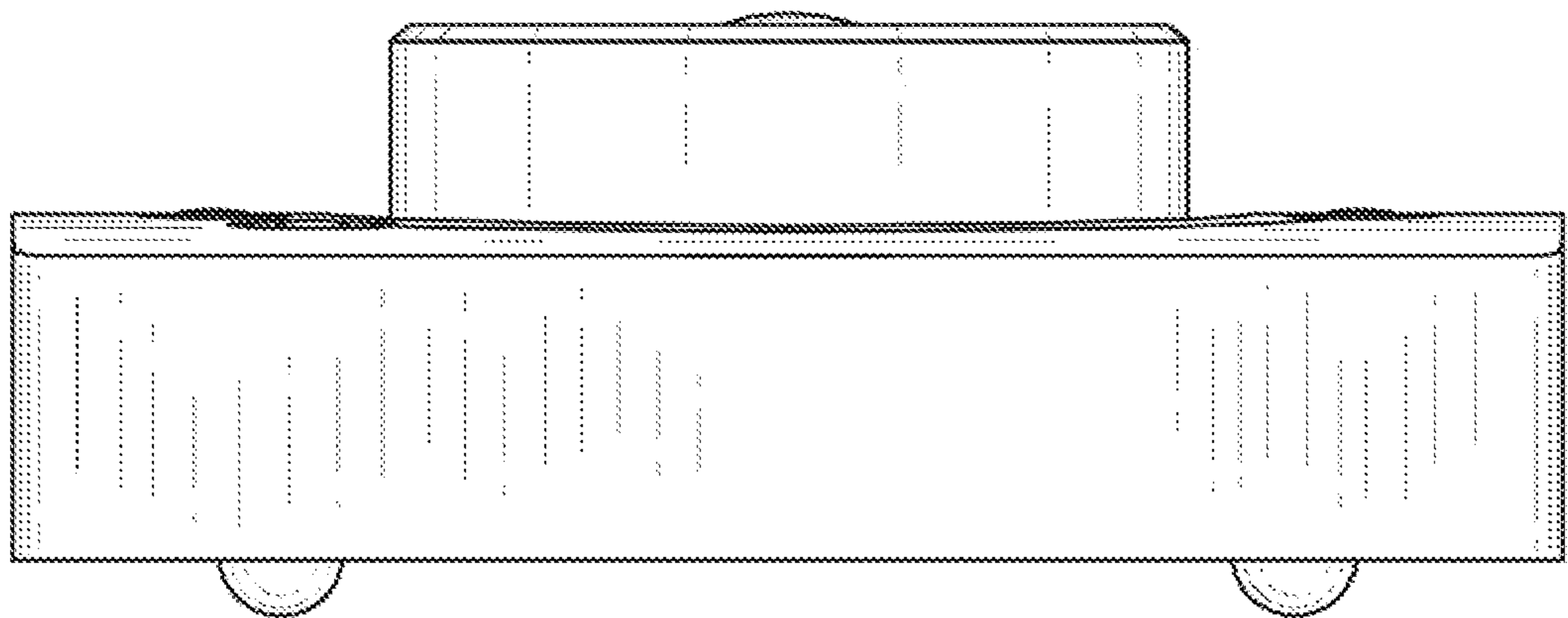


FIG. 2

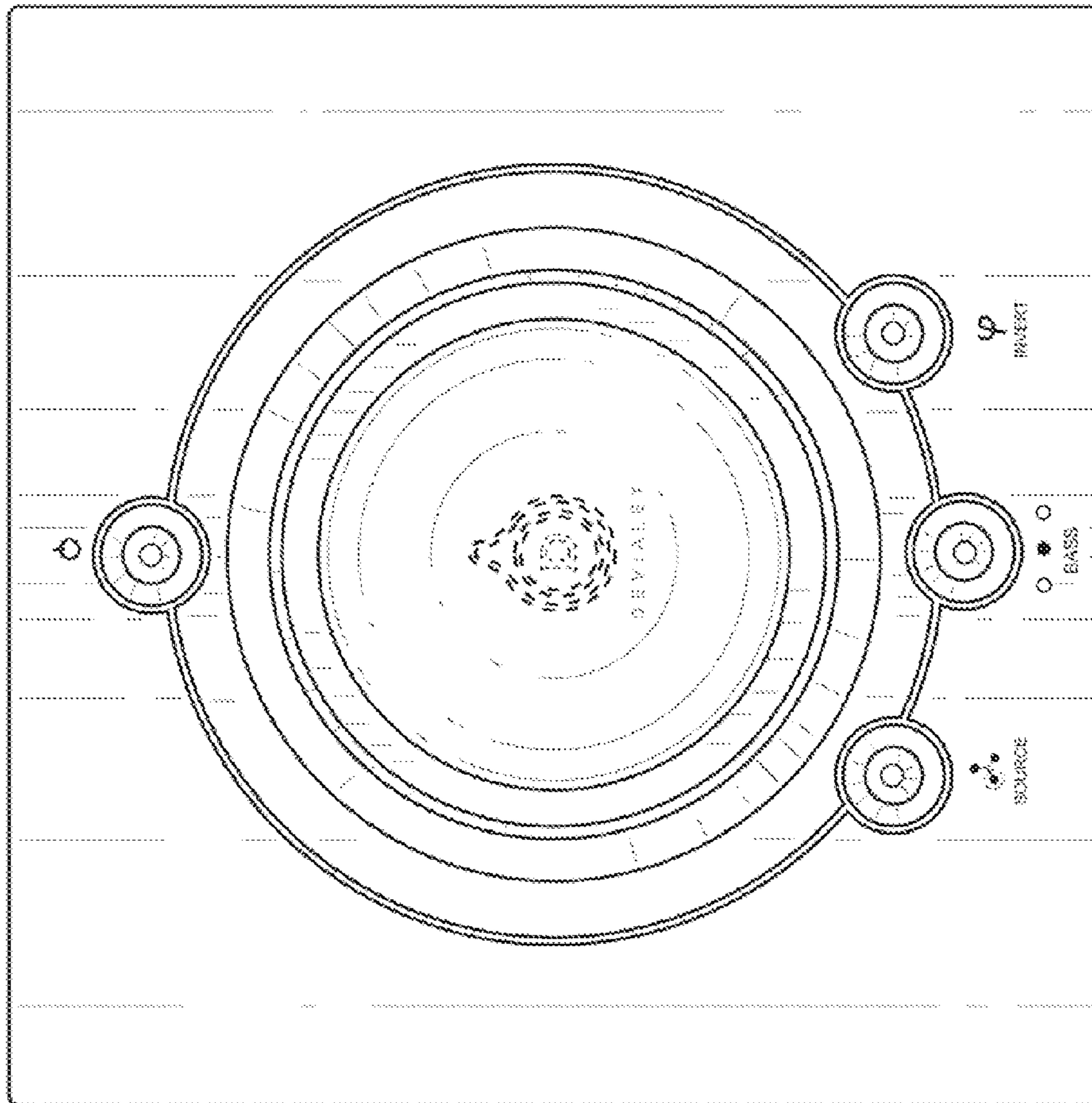


FIG. 3

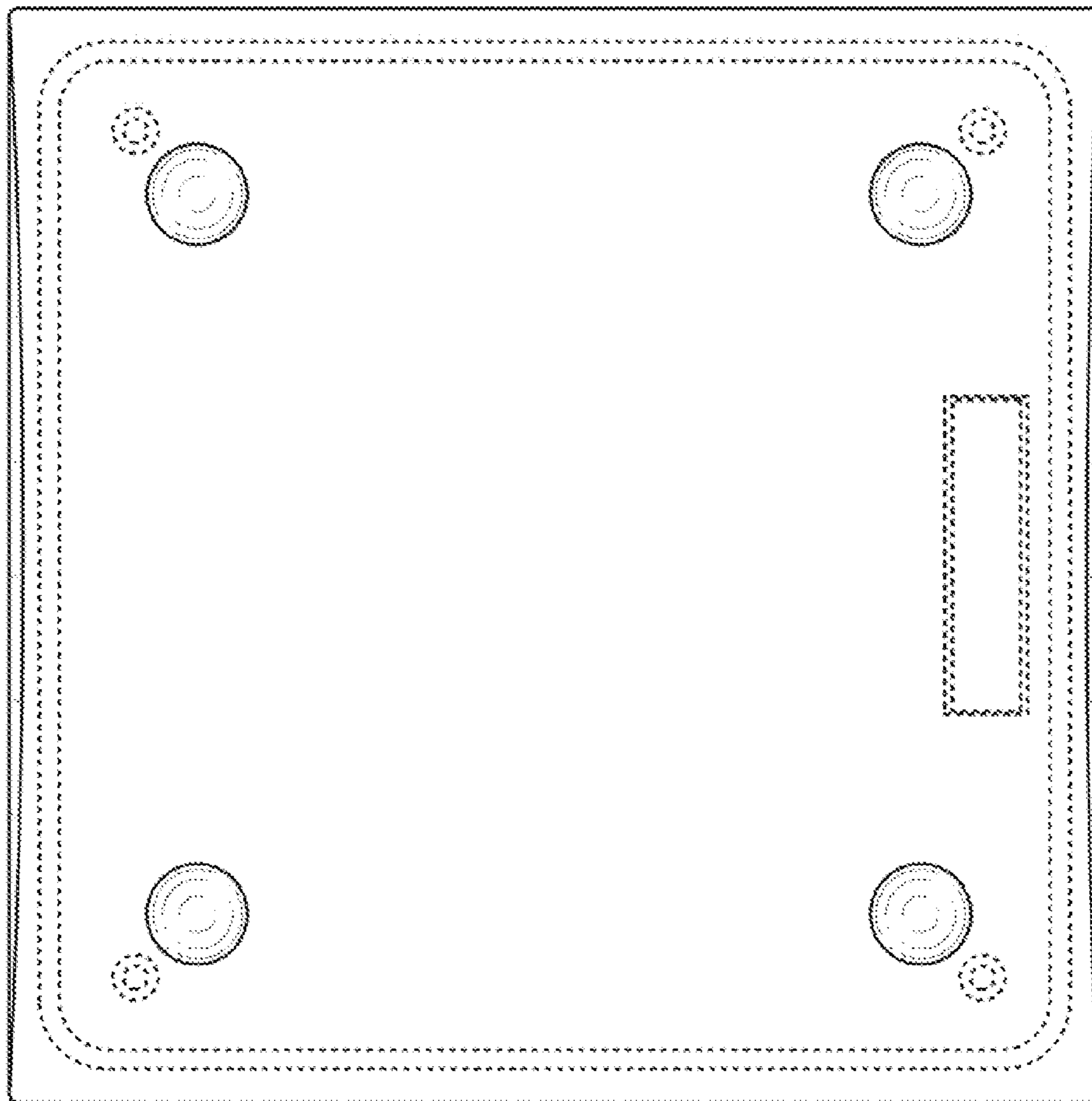


FIG. 4

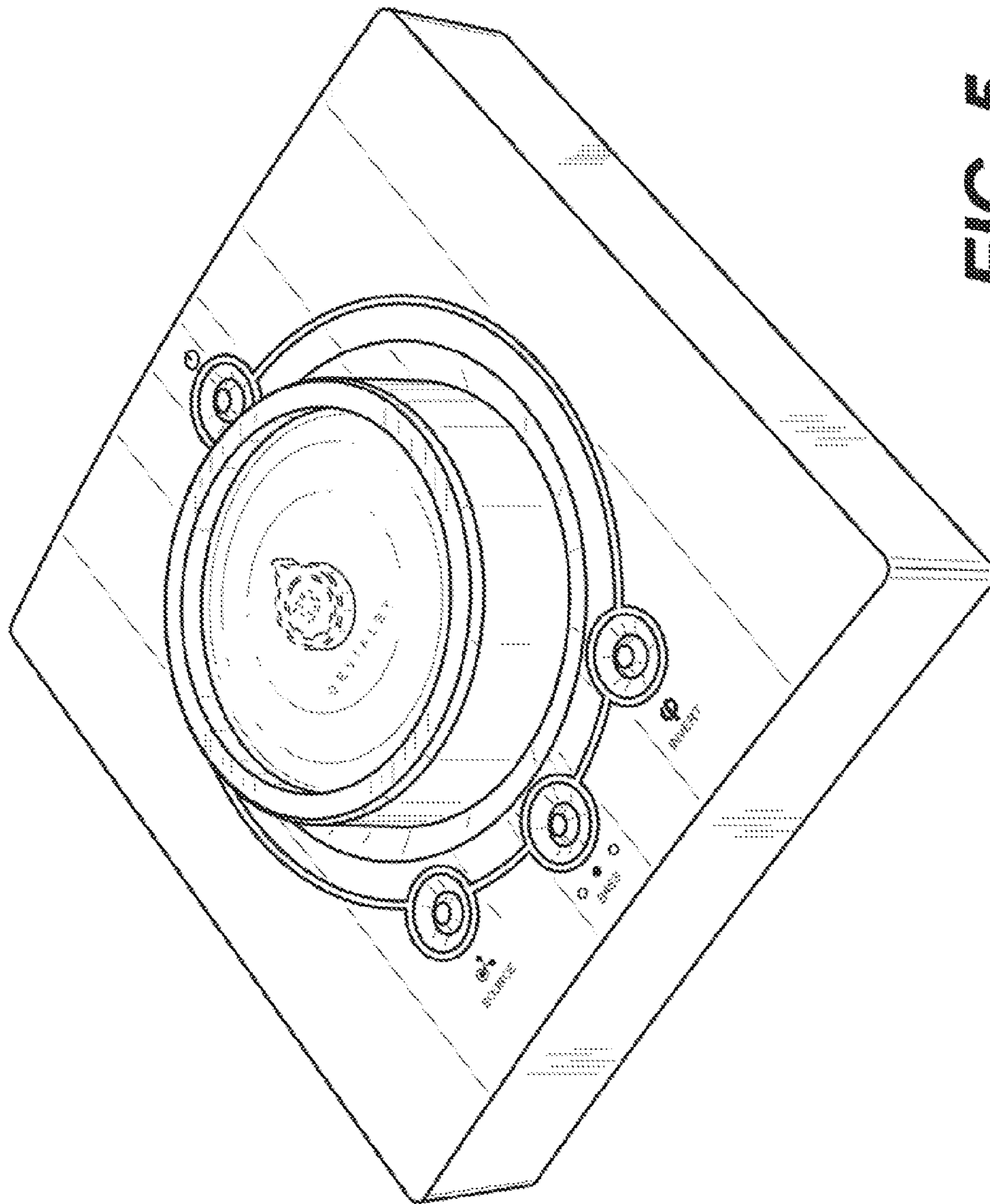


FIG. 5