



US00D644208S

(12) **United States Design Patent**
Akana et al.

(10) **Patent No.:** **US D644,208 S**

(45) **Date of Patent:** **** Aug. 30, 2011**

(54) **DOCK INSERT**

(56) **References Cited**

(75) Inventors: **Jody Akana**, San Francisco, CA (US);
Bartley K. Andre, Menlo Park, CA
(US); **Jeremy Bataillou**, San Francisco,
CA (US); **Daniel J. Coster**, San
Francisco, CA (US); **Daniele De Iuliis**,
San Francisco, CA (US); **Evans**
Hankey, San Francisco, CA (US);
Richard P. Howarth, San Francisco, CA
(US); **Jonathan P. Ive**, San Francisco,
CA (US); **Duncan Robert Kerr**, San
Francisco, CA (US); **Shin Nishibori**,
Portola Valley, CA (US); **Matthew Dean**
Rohrbach, San Francisco, CA (US);
Peter Russell-Clarke, San Francisco,
CA (US); **Christopher J. Stringer**,
Woodside, CA (US); **Eugene Antony**
Whang, San Francisco, CA (US); **Rico**
Zorkendorfer, San Francisco, CA (US)

U.S. PATENT DOCUMENTS

5,233,281	A *	8/1993	Chiang et al.	320/110
5,280,229	A *	1/1994	Faude et al.	320/110
5,742,149	A *	4/1998	Simpson	320/113
D495,336	S	8/2004	Andre et al.	
D551,212	S	9/2007	Andre et al.	
D551,213	S	9/2007	Andre et al.	
D552,085	S	10/2007	Andre et al.	
D558,738	S	1/2008	Andre et al.	
D558,739	S	1/2008	Andre et al.	
D567,800	S	4/2008	Andre et al.	
D568,297	S *	5/2008	Andre et al.	D14/217
D568,874	S	5/2008	Andre et al.	
D570,335	S	6/2008	Andre et al.	
D571,360	S	6/2008	Andre et al.	
D595,265	S	6/2009	Andre et al.	
D595,266	S	6/2009	Andre et al.	
D596,161	S	7/2009	Andre et al.	
D597,079	S	7/2009	Andre et al.	
D597,080	S	7/2009	Andre et al.	
D605,174	S	12/2009	Andre et al.	
D605,633	S	12/2009	Andre et al.	
D606,518	S	12/2009	Andre et al.	
D608,352	S	1/2010	Andre et al.	

(73) Assignee: **Apple Inc.**, Cupertino, CA (US)

(**) Term: **14 Years**

(21) Appl. No.: **29/363,273**

(22) Filed: **Jun. 7, 2010**

(51) **LOC (9) Cl.** **14-03**

(52) **U.S. Cl.** **D14/217**

(58) **Field of Classification Search** D14/140,
D14/142, 149, 155, 157, 188, 191-193, 203.1-203.8,
D14/217, 240, 243, 251-253, 432-435.1,
D14/447, 451, 496, 474, 480.1-480.7; D13/107,
D13/108, 118; D3/218; 248/221.11, 309.1;
320/107, 110, 113-115; 361/600; 439/529,
439/534; 455/556.1-556.2, 557; D8/349,
D8/355, 373, 380

See application file for complete search history.

* cited by examiner

Primary Examiner — Prabhakar Deshmukh

Assistant Examiner — Keli L Hill

(74) *Attorney, Agent, or Firm* — Sterne, Kessler, Goldstein
& Fox PLLC

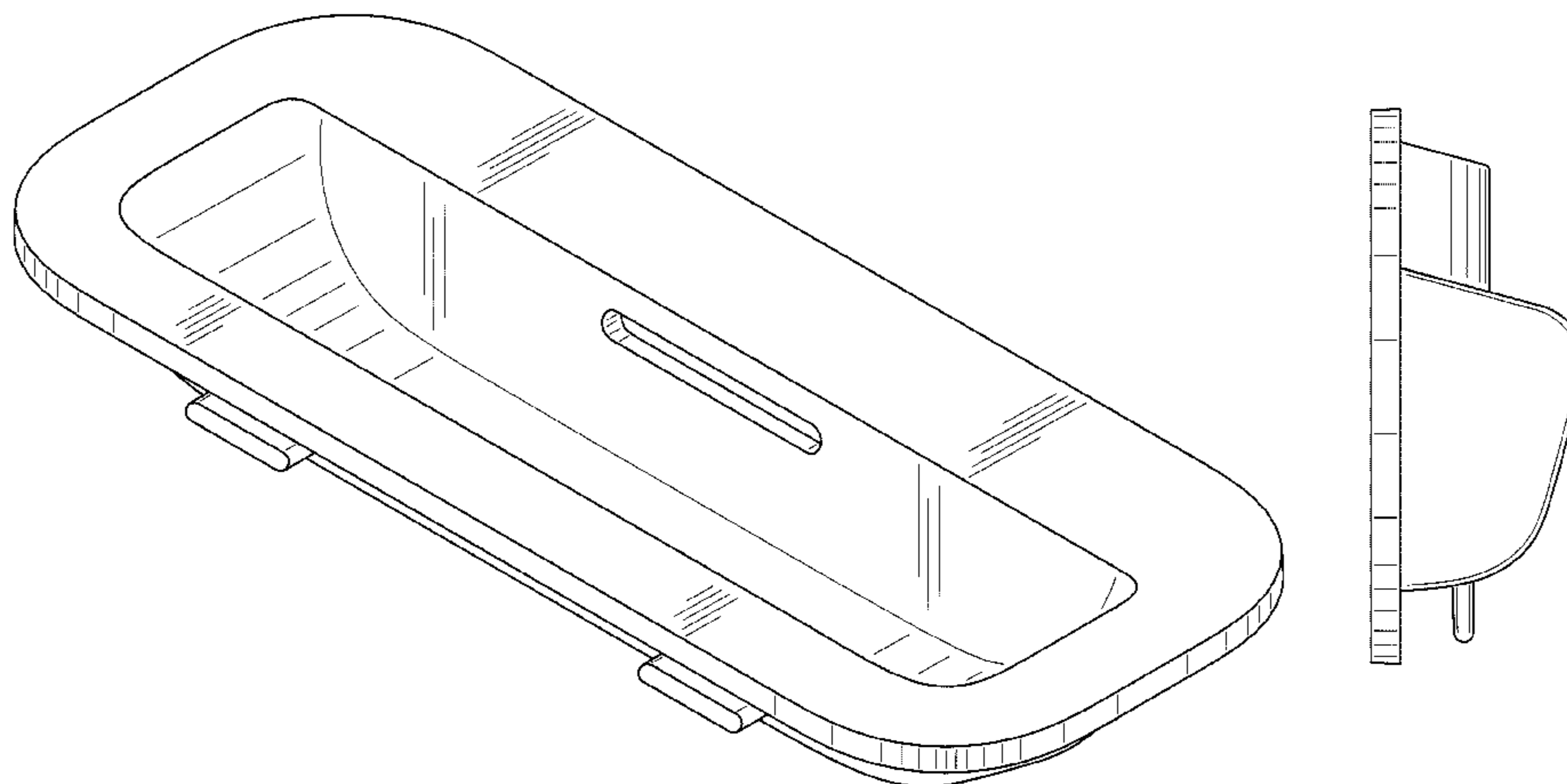
(57) **CLAIM**

The ornamental design for a dock insert, as shown and
described.

DESCRIPTION

FIG. 1 is a top front perspective view of a dock insert showing
our new design;
FIG. 2 is a bottom rear perspective view thereof;
FIG. 3 is a top plan view thereof;
FIG. 4 is a bottom plan view thereof;
FIG. 5 is a rear view thereof;
FIG. 6 is a front view thereof;
FIG. 7 is a right side view thereof; and,
FIG. 8 is a left side view thereof.

1 Claim, 6 Drawing Sheets



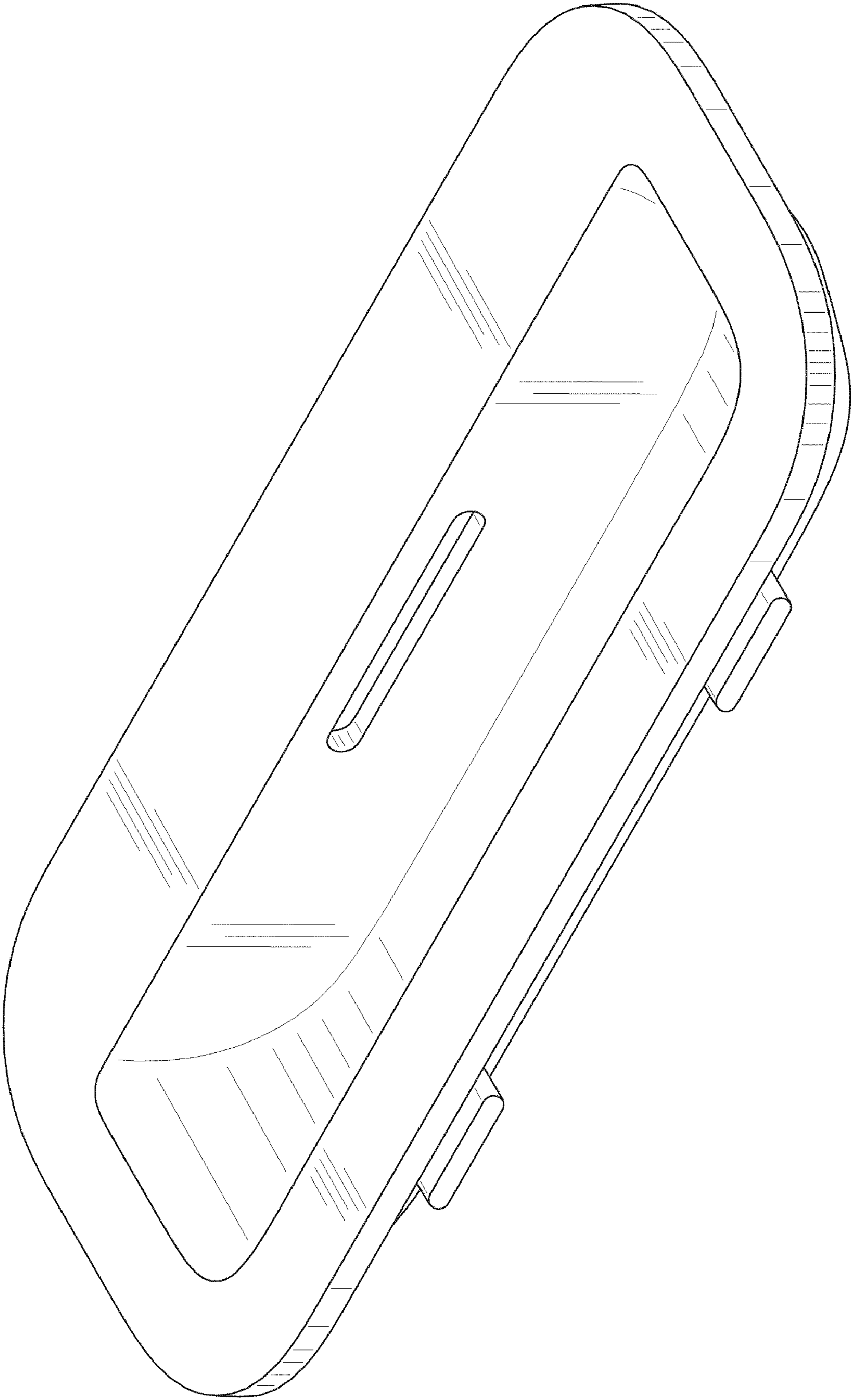


FIG. 1

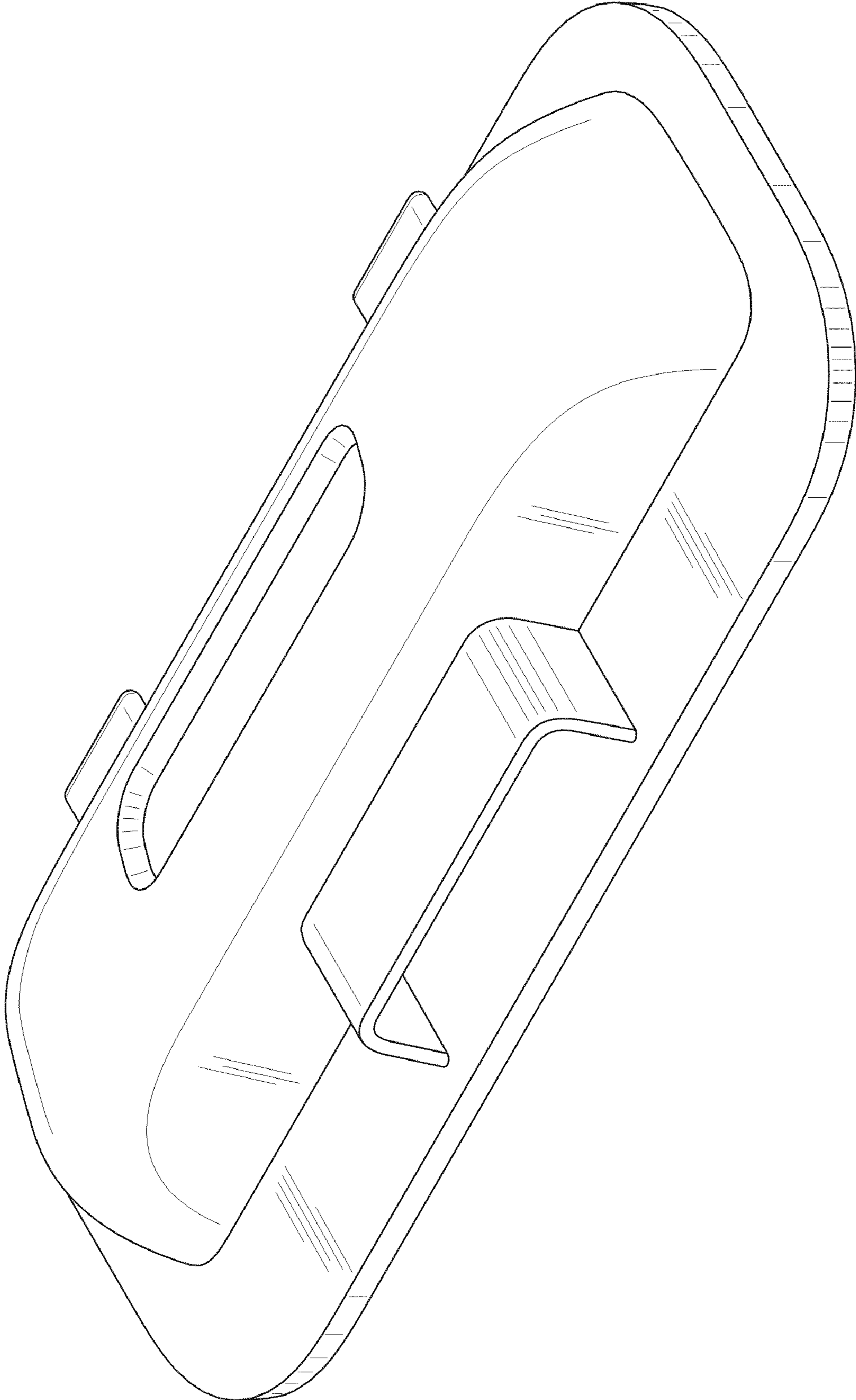


FIG. 2

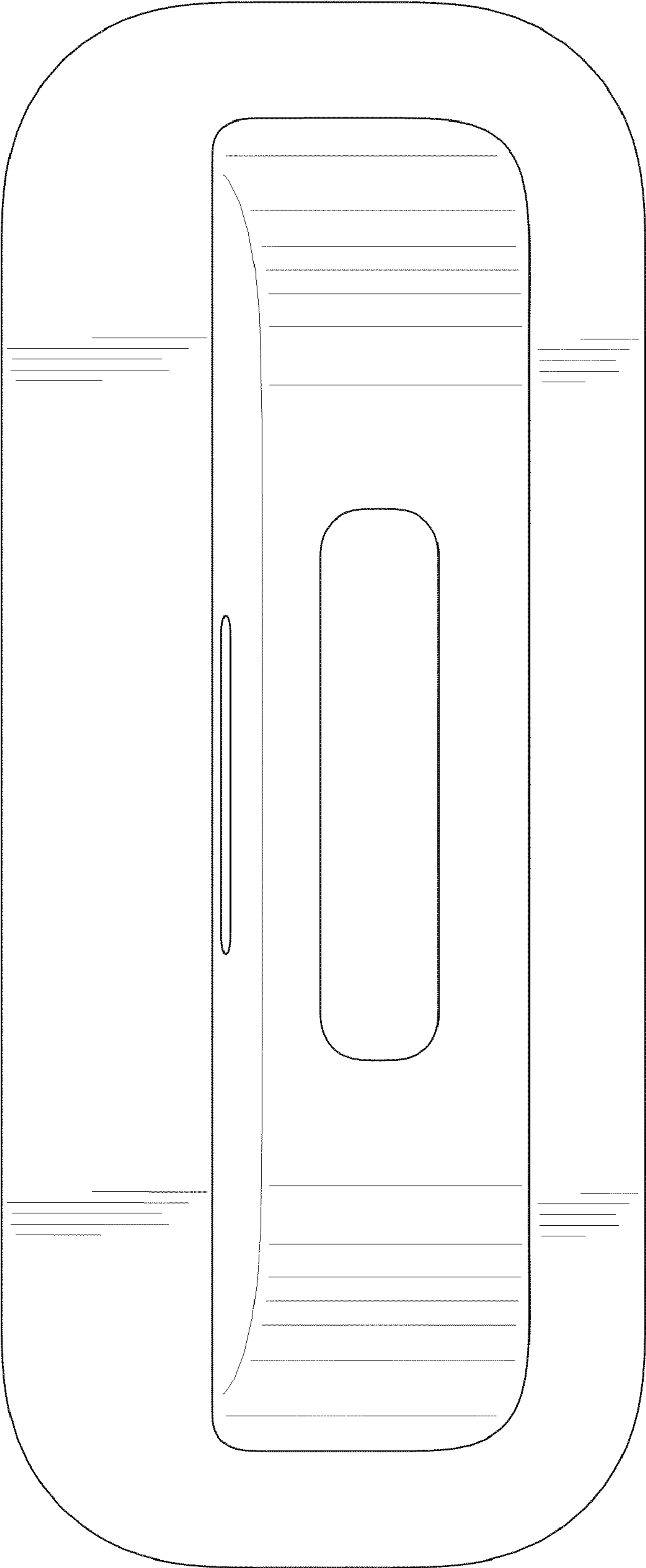


FIG. 3

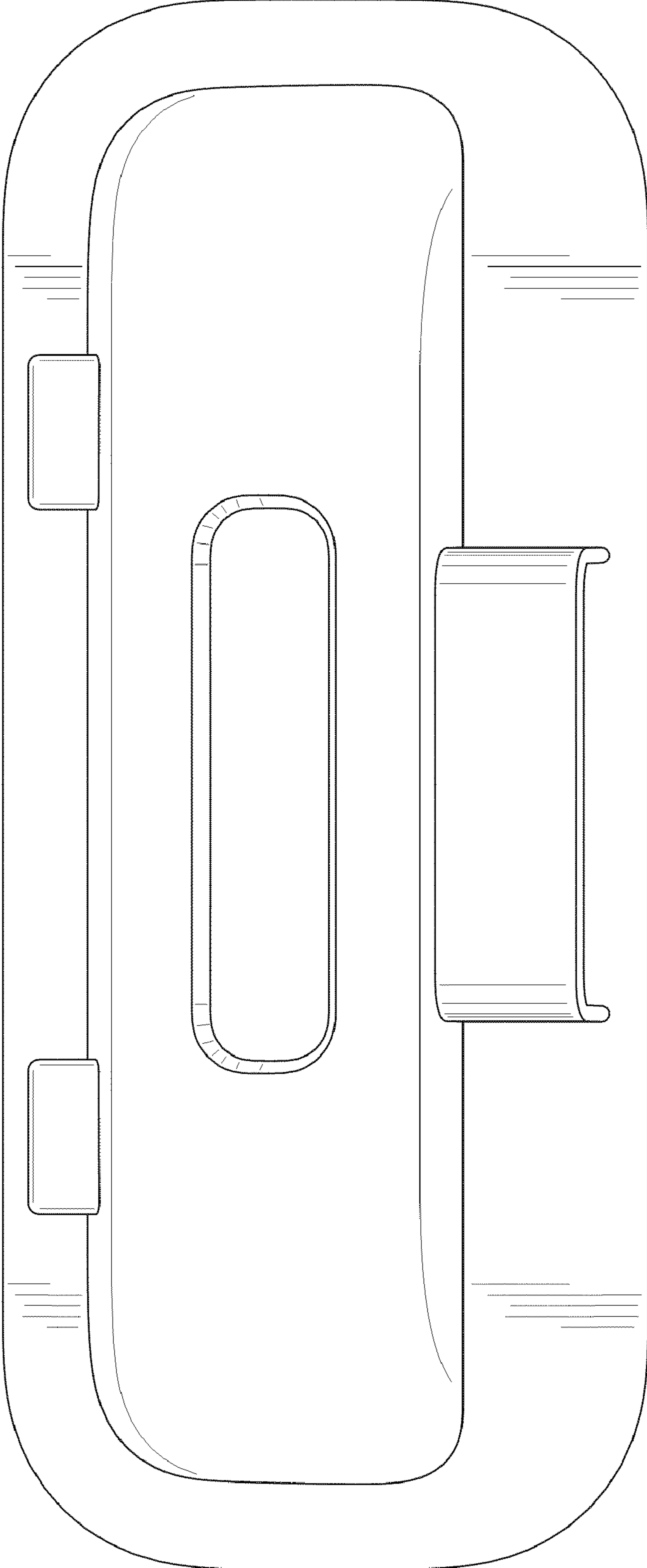


FIG. 4

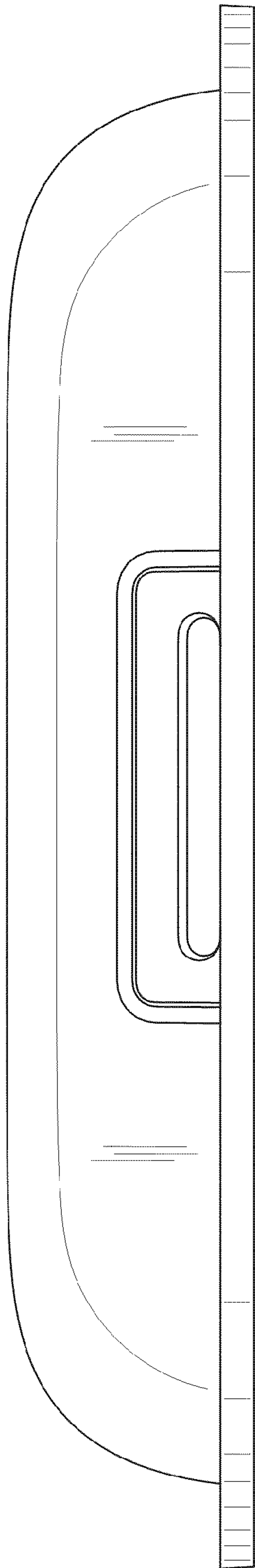


FIG. 5

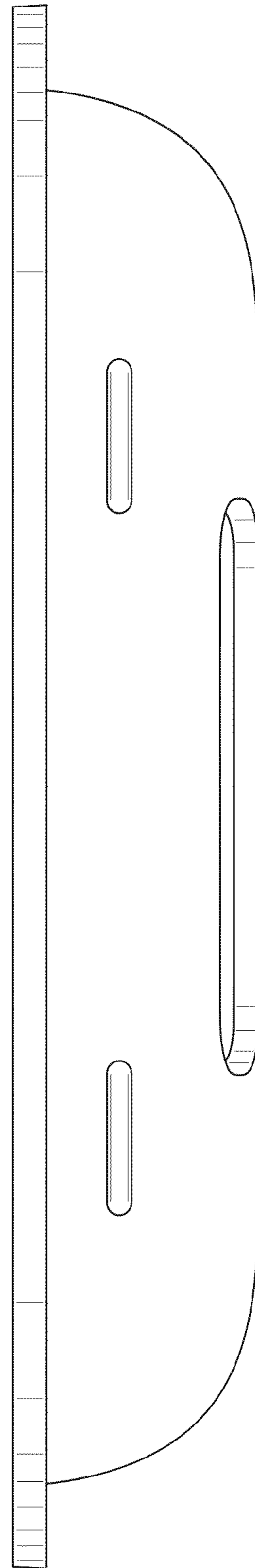


FIG. 6

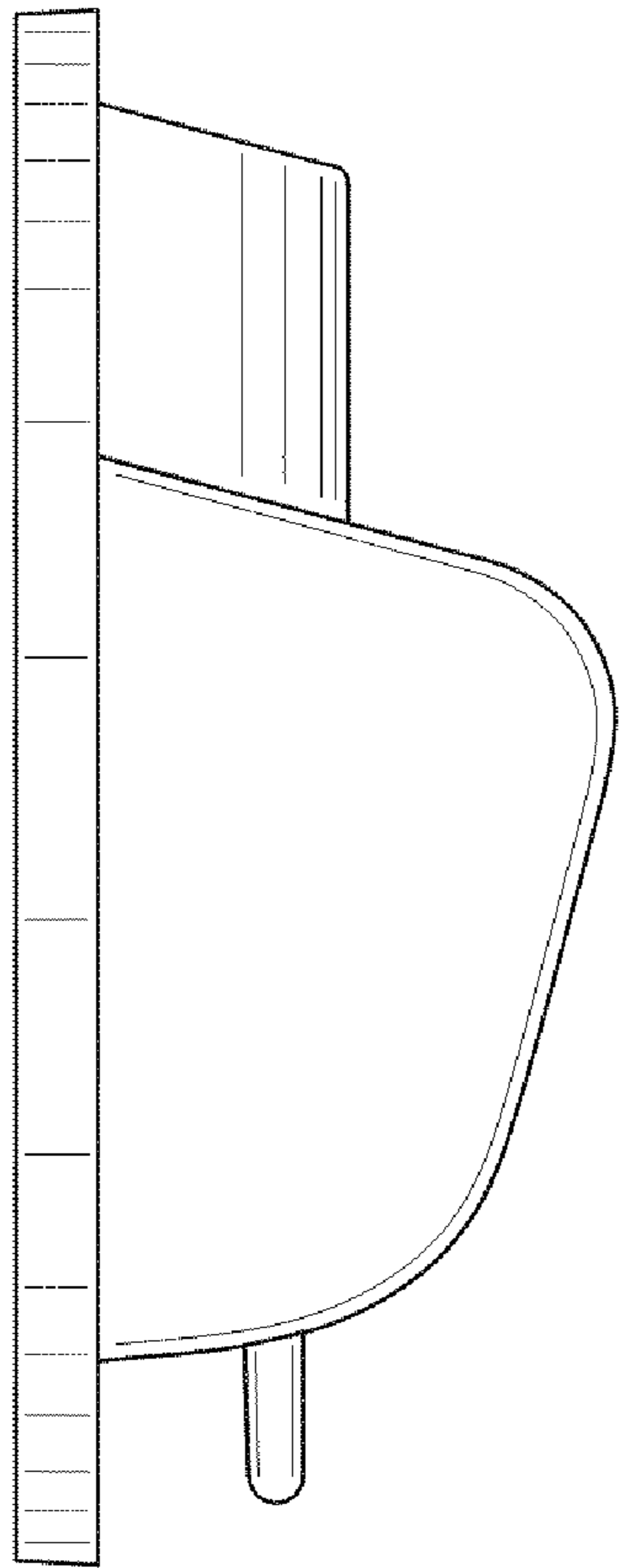


FIG. 7

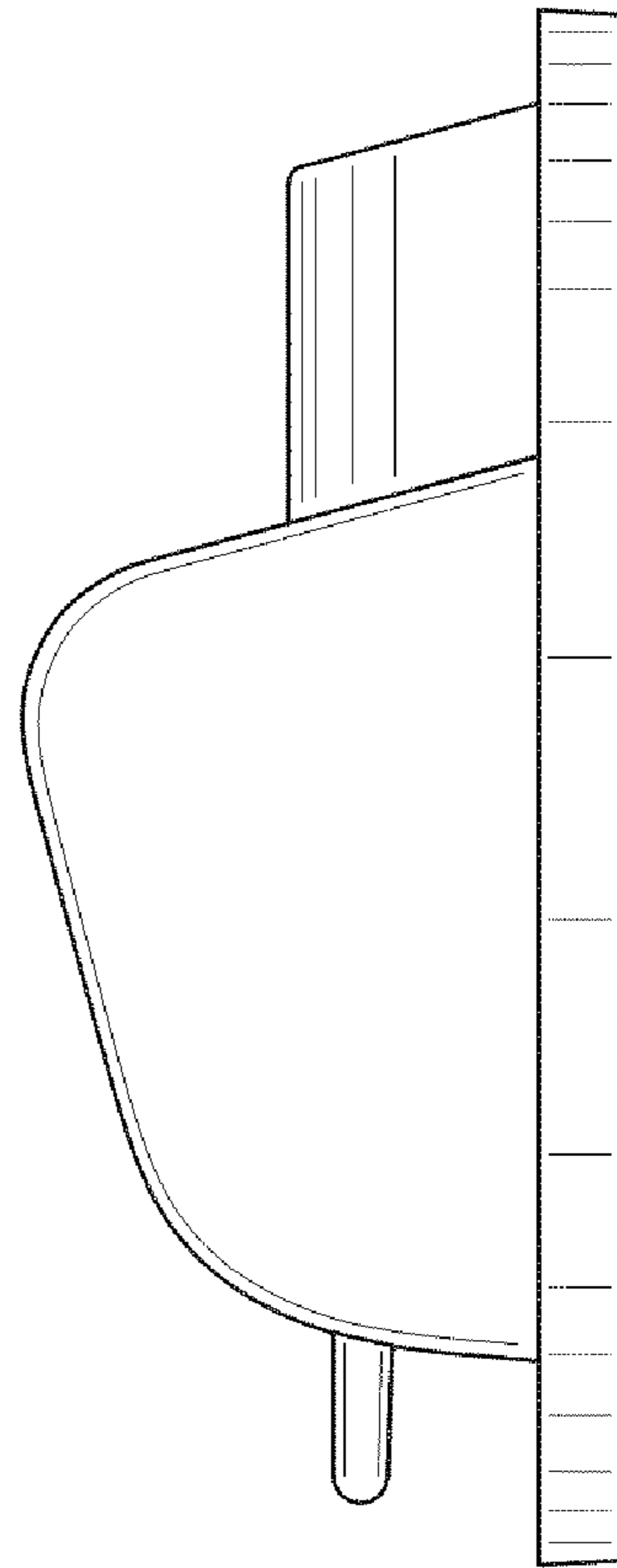


FIG. 8