



US00D644207S

(12) **United States Design Patent**  
**Odell**

(10) **Patent No.:** **US D644,207 S**

(45) **Date of Patent:** **\*\* Aug. 30, 2011**

(54) **SPEAKER ENCLOSURE**

(76) Inventor: **James Odell**, Seven Hills (AU)

(\*\*) Term: **14 Years**

(21) Appl. No.: **29/379,537**

(22) Filed: **Nov. 19, 2010**

(51) **LOC (9) Cl.** ..... **14-01**

(52) **U.S. Cl.** ..... **D14/216**

(58) **Field of Classification Search** ..... D14/204,  
D14/207, 210–216, 172; 181/143–144, 147–148,  
181/150–153, 157, 198–199; 381/300–303,  
381/306, 332–333, 336, 345, 361–364, 386–388;  
D12/110–111, 114, 178, 415

See application file for complete search history.

(56) **References Cited**

**U.S. PATENT DOCUMENTS**

D524,799 S *	7/2006	Hibi	.....	D14/216
D552,516 S *	10/2007	Files	.....	D12/114
D575,273 S *	8/2008	Cherry, II	.....	D14/216
D584,717 S *	1/2009	Files	.....	D14/216

D591,267 S \* 4/2009 Files ..... D14/216

\* cited by examiner

*Primary Examiner* — Nanda Bondade

(74) *Attorney, Agent, or Firm* — QuickPatents, Inc.; Kevin Prince

(57) **CLAIM**

I claim the ornamental design for a speaker enclosure, as shown and described.

**DESCRIPTION**

FIG. 1 is a perspective view of a speaker enclosure, showing the new design;

FIG. 2 is a front elevational view thereof;

FIG. 3 is a rear elevational view thereof;

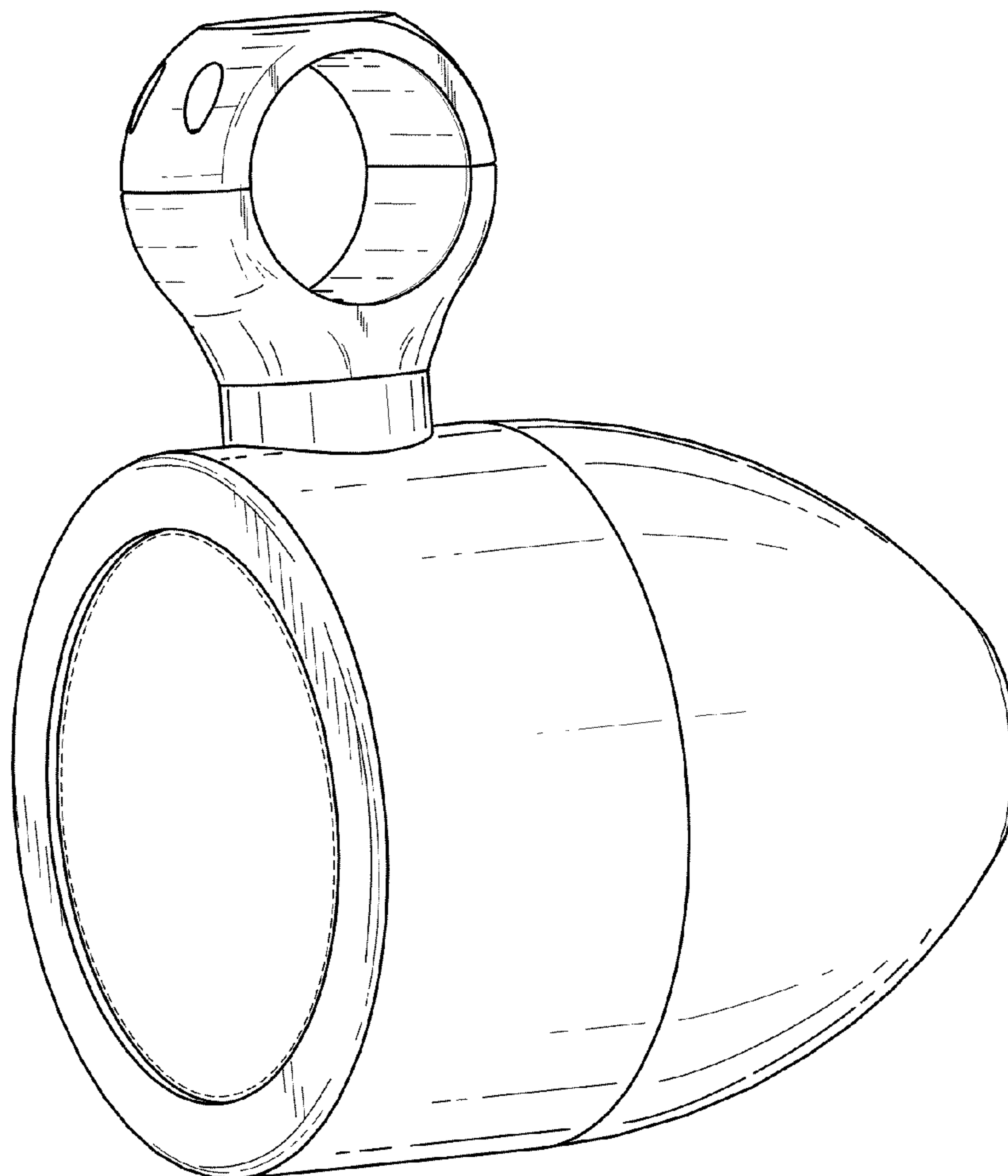
FIG. 4 is a right-side elevational view thereof, the left-side elevational view being a mirror image thereof;

FIG. 5 is a top plan view thereof; and,

FIG. 6 is a bottom plan view thereof.

The broken lines in FIGS. 1 and 2 illustrate environmental matter and form no part of the claimed design.

**1 Claim, 4 Drawing Sheets**



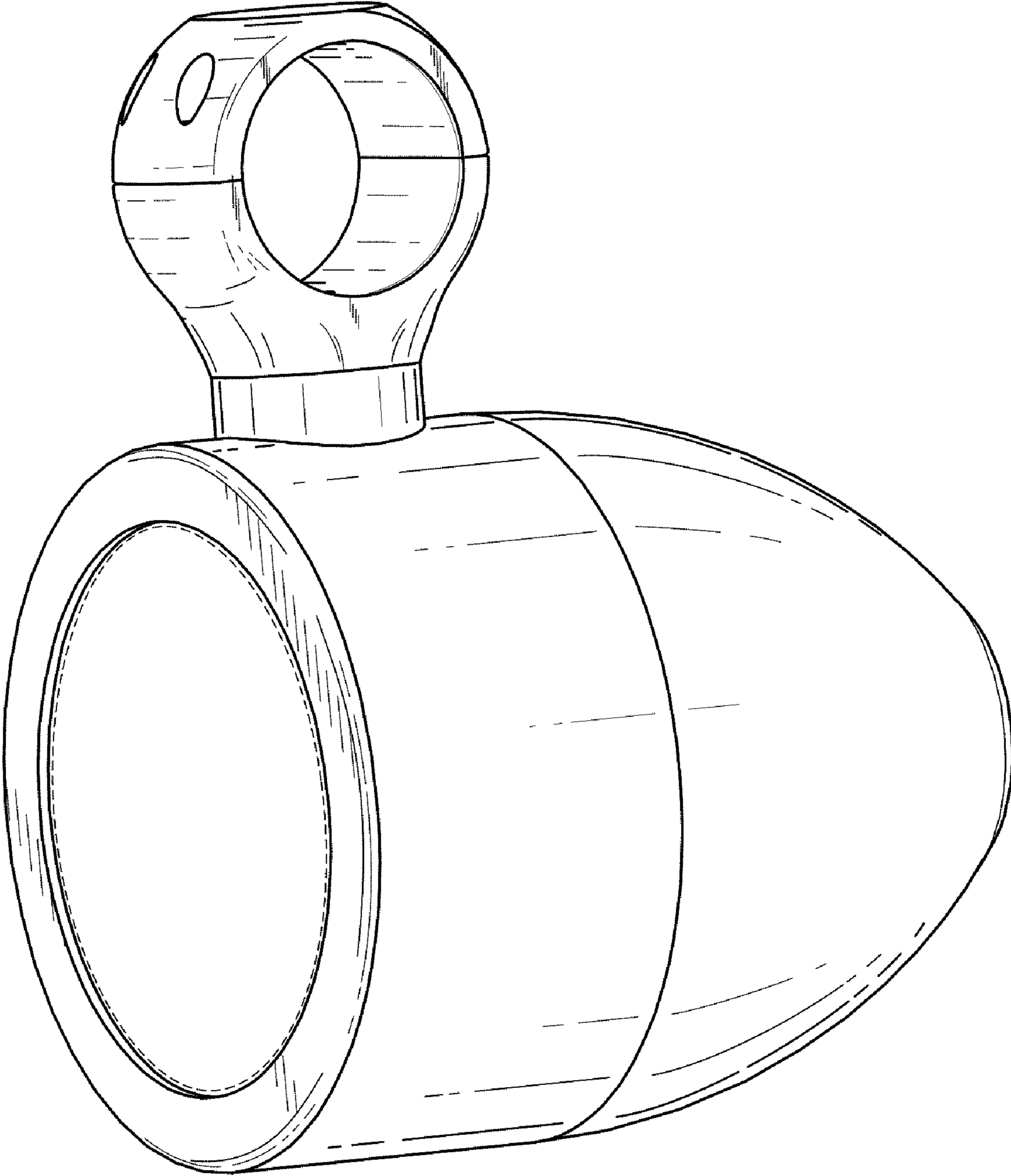


FIG. 1

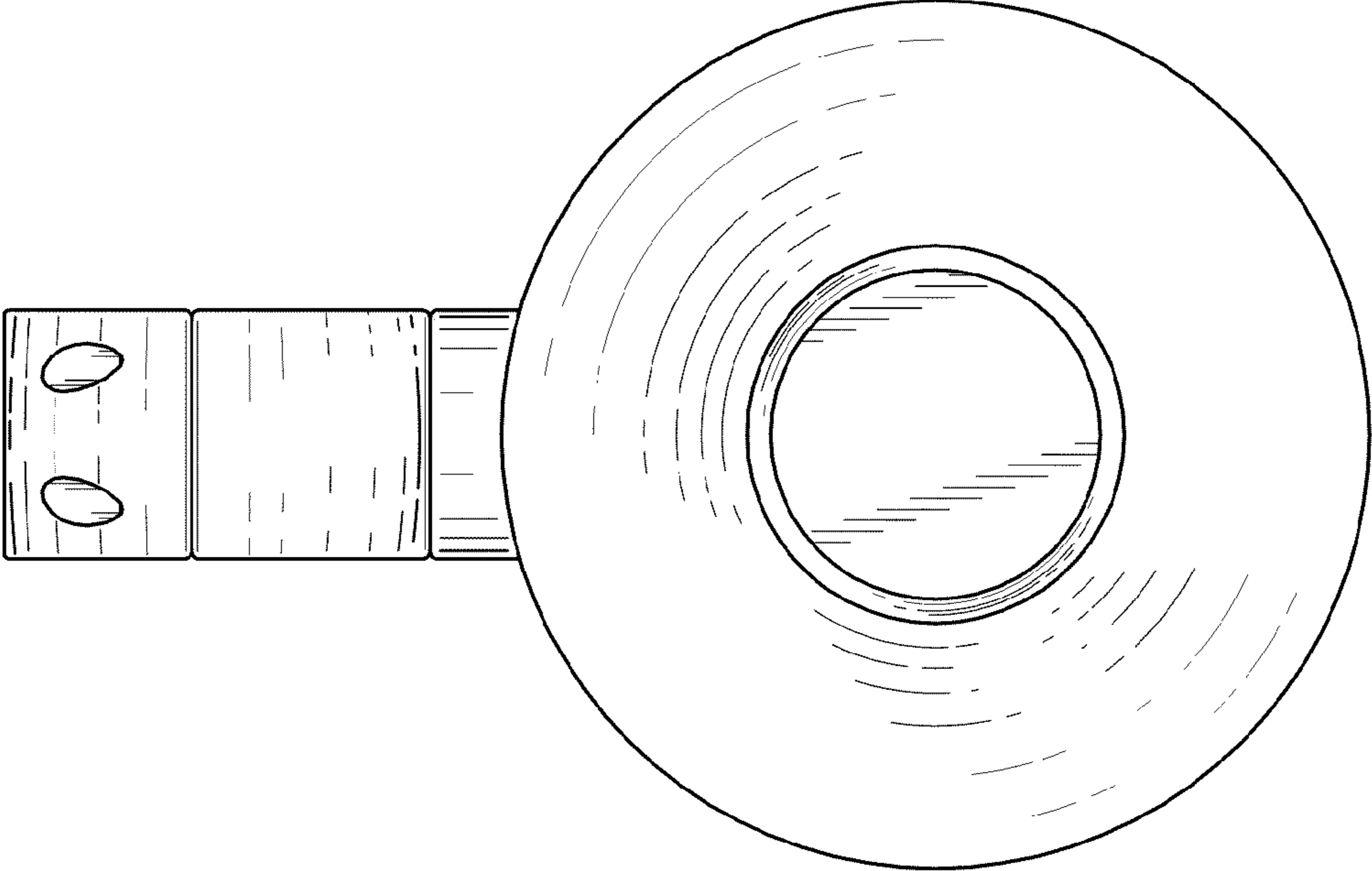


FIG. 3

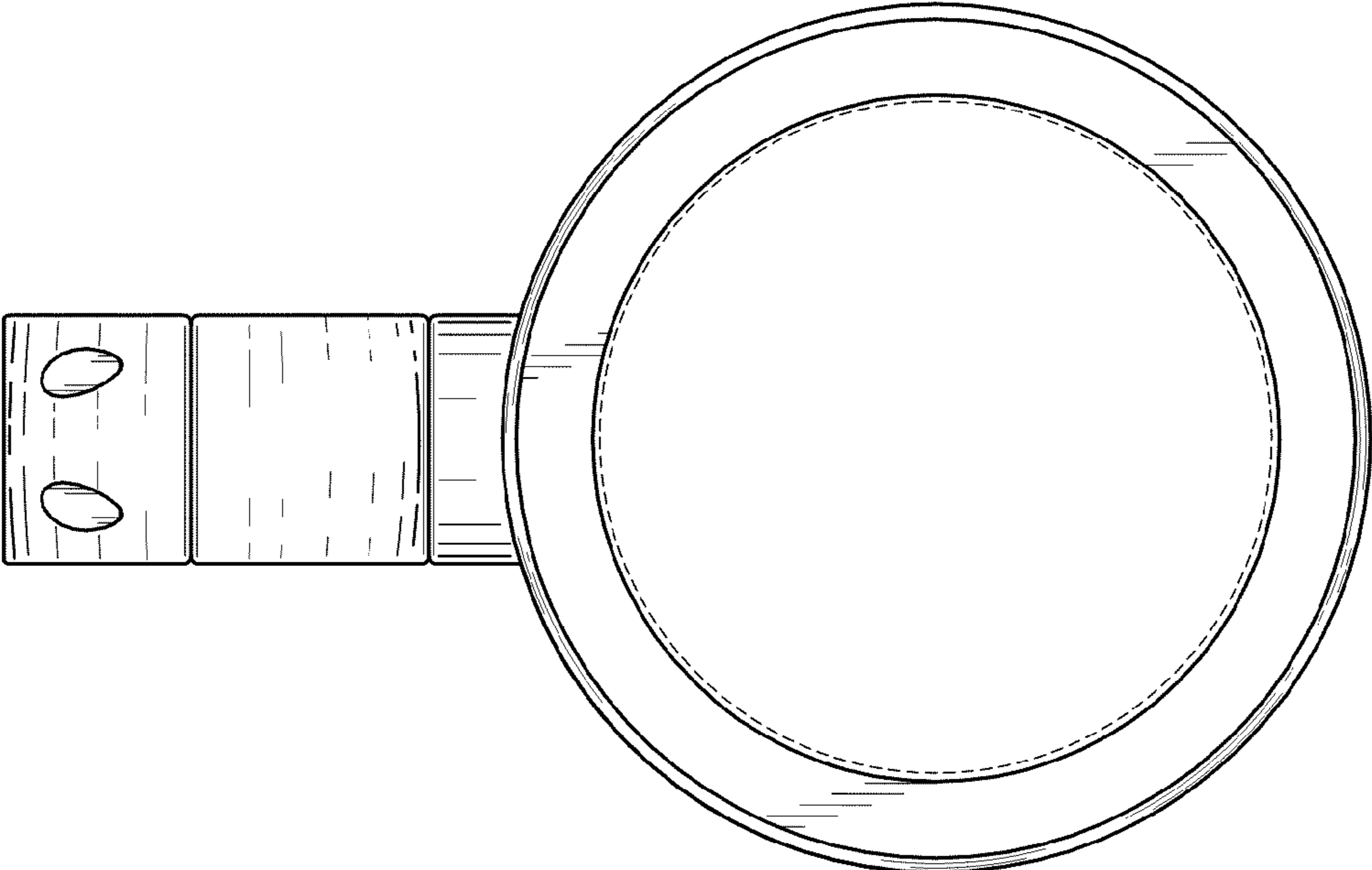


FIG. 2

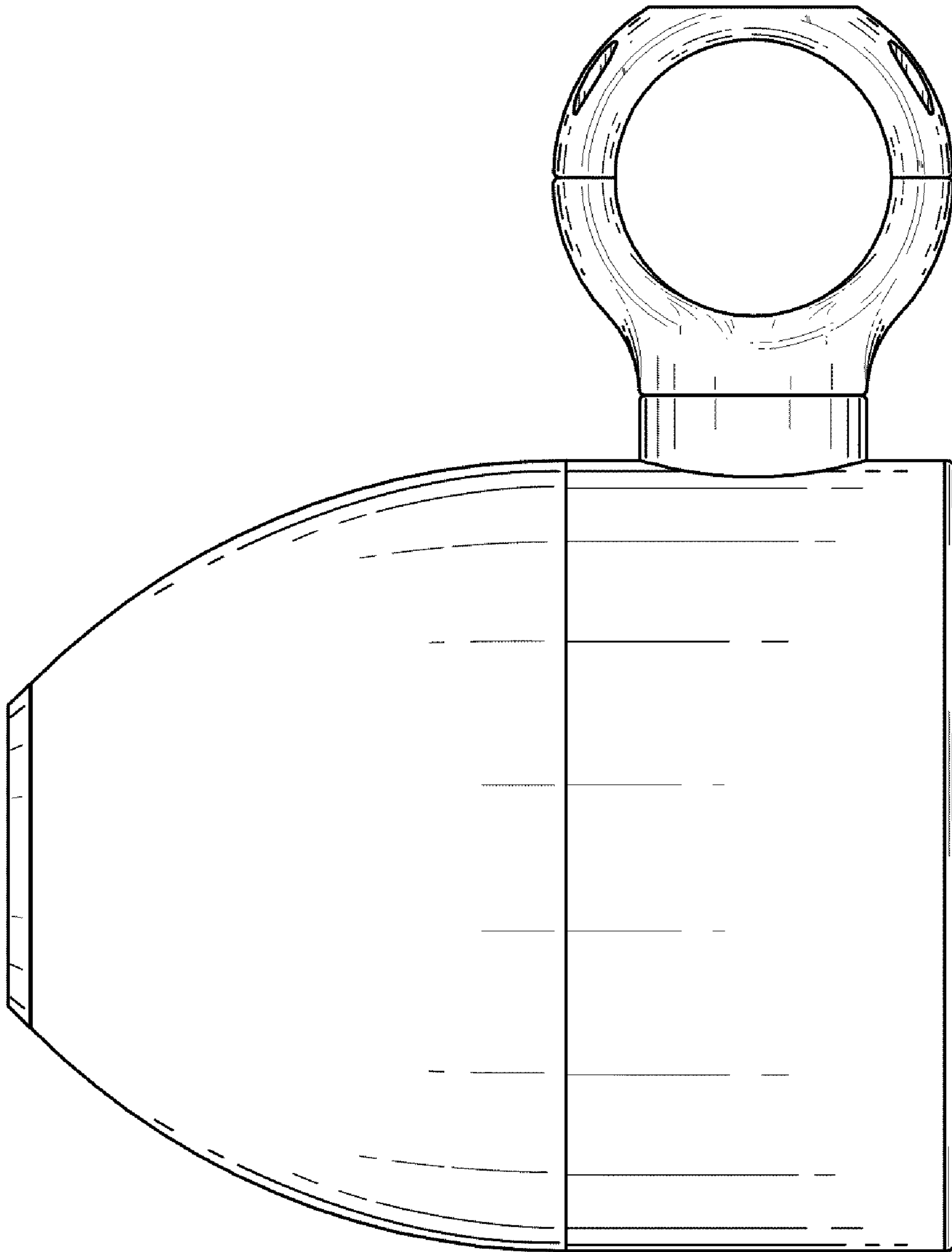


FIG. 4

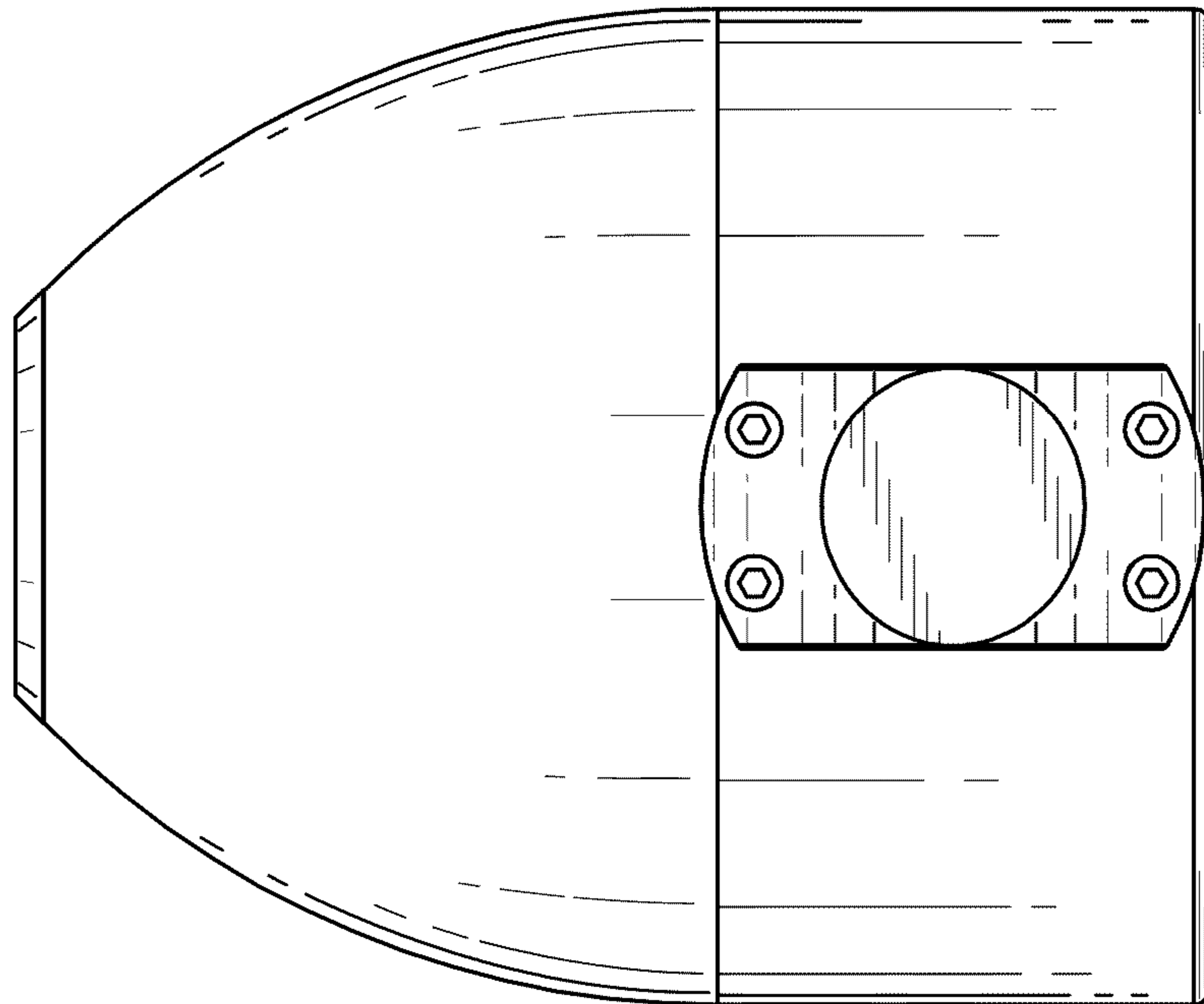


FIG. 5

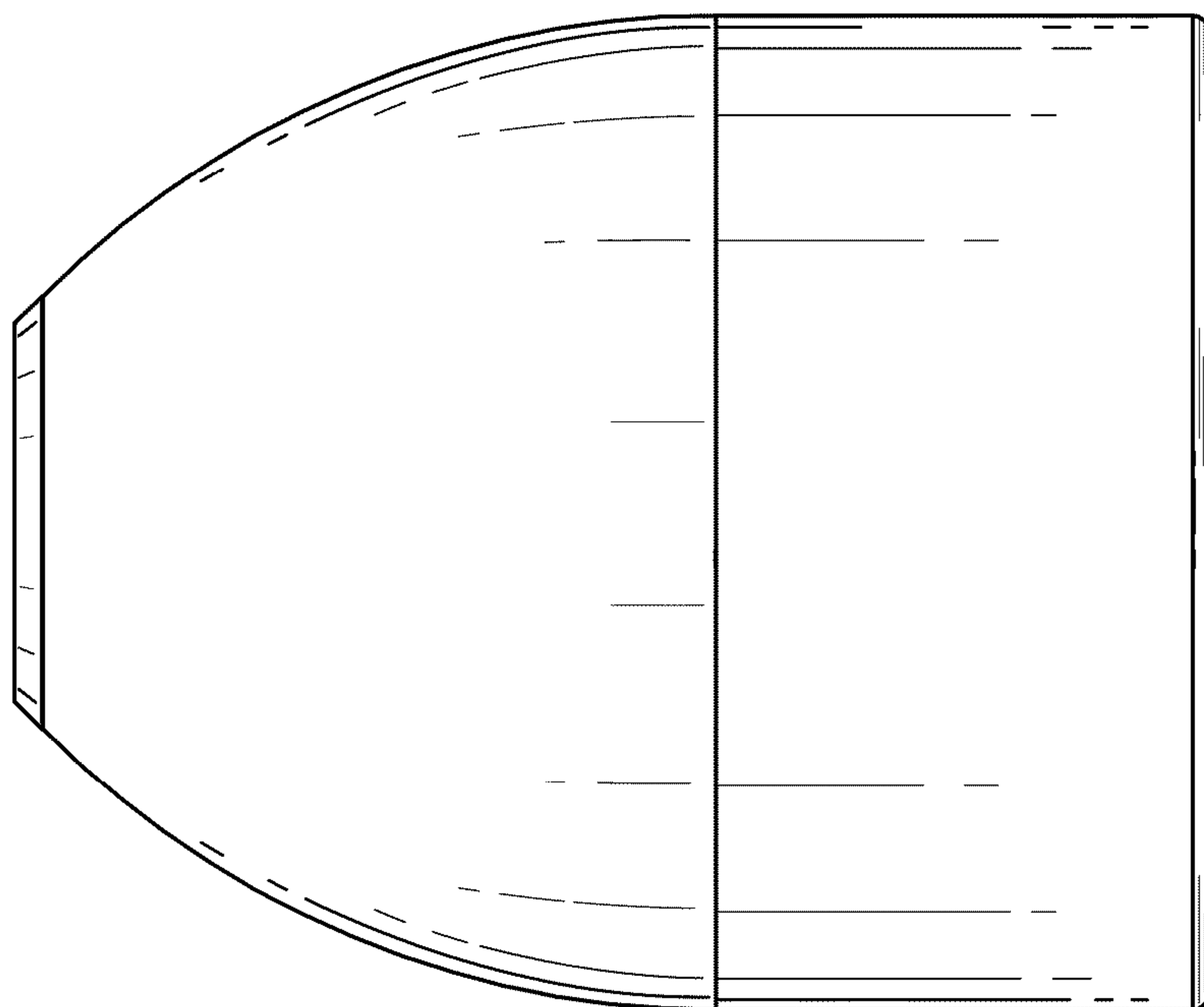


FIG. 6