



US00D644205S

(12) **United States Design Patent**  
**Chen**

(10) **Patent No.:** **US D644,205 S**

(45) **Date of Patent:** **\*\* Aug. 30, 2011**

(54) **SPEAKER**

(75) Inventor: **Hwang-Miaw Chen**, Taipei Hsien (TW)

(73) Assignee: **Hon Hai Precision Industry Co., Ltd.**,  
Tu-Cheng, New Taipei (TW)

(\*\*) Term: **14 Years**

(21) Appl. No.: **29/381,916**

(22) Filed: **Dec. 27, 2010**

(51) **LOC (9) Cl.** ..... **14-01**

(52) **U.S. Cl.** ..... **D14/215**

(58) **Field of Classification Search** ..... D14/204,  
D14/210–215, 172; 181/143–144, 147–148,  
181/150–153, 157, 198–199; 381/300–303,  
381/306, 332–333, 336, 345, 361–364, 386–388

See application file for complete search history.

(56) **References Cited**

U.S. PATENT DOCUMENTS

D485,256 S \* 1/2004 Allen ..... D14/215  
D621,816 S \* 8/2010 Chen ..... D14/215  
2007/0029131 A1\* 2/2007 Pan et al. .... 181/148  
\* cited by examiner

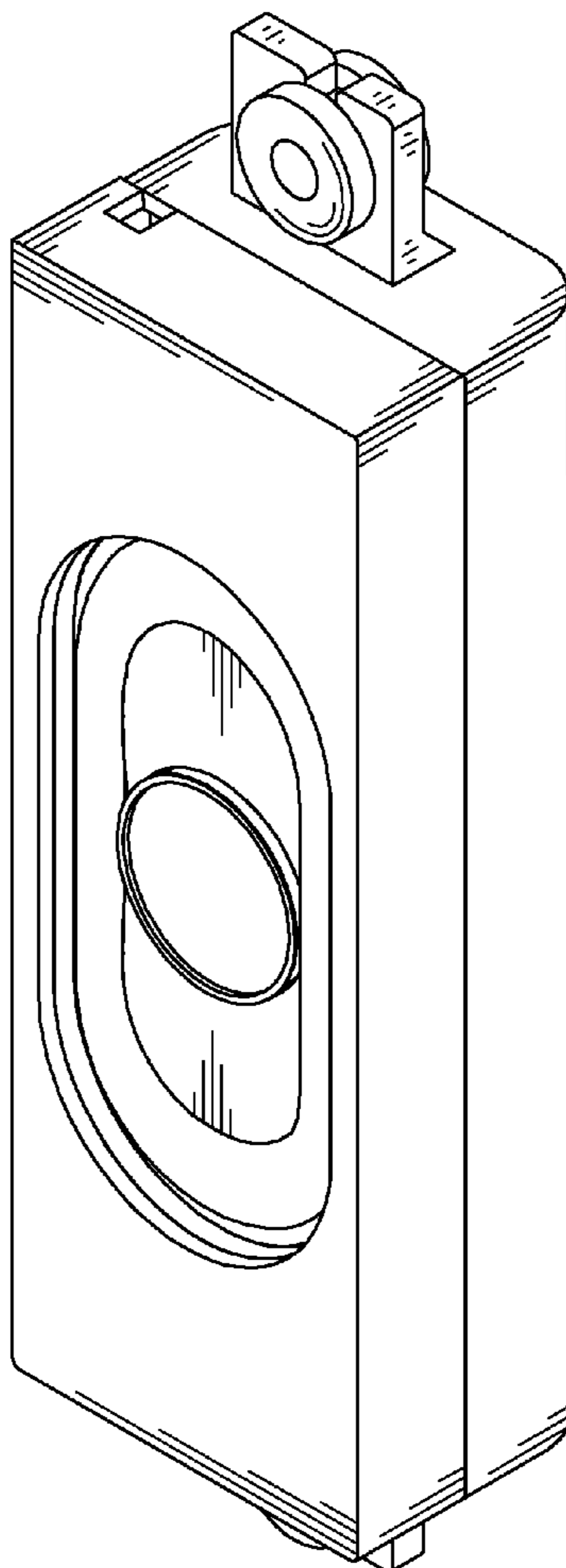
*Primary Examiner* — Nanda Bondade  
(74) *Attorney, Agent, or Firm* — Altis Law Group, Inc.

(57) **CLAIM**  
The ornamental design for a speaker, as shown.

**DESCRIPTION**

FIG. 1 is a perspective view of a speaker showing my new design;  
FIG. 2 is a front elevational view thereof.  
FIG. 3 is a rear elevational view thereof.  
FIG. 4 is a left side elevational view thereof.  
FIG. 5 is a right side elevational view thereof.  
FIG. 6 is a top plan view thereof.  
FIG. 7 is a bottom plan view thereof; and,  
FIG. 8 is a cross-sectional view of the speaker of FIG. 2, taken along a line 8-8 thereof.

**1 Claim, 8 Drawing Sheets**



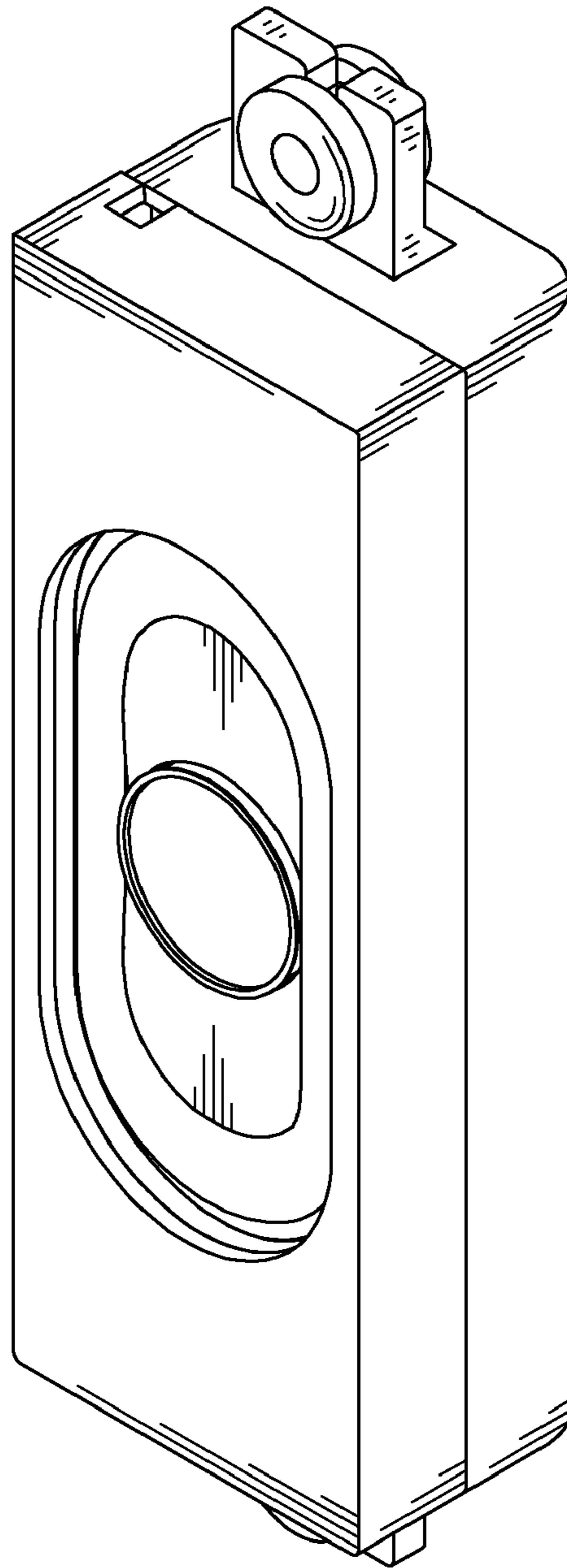
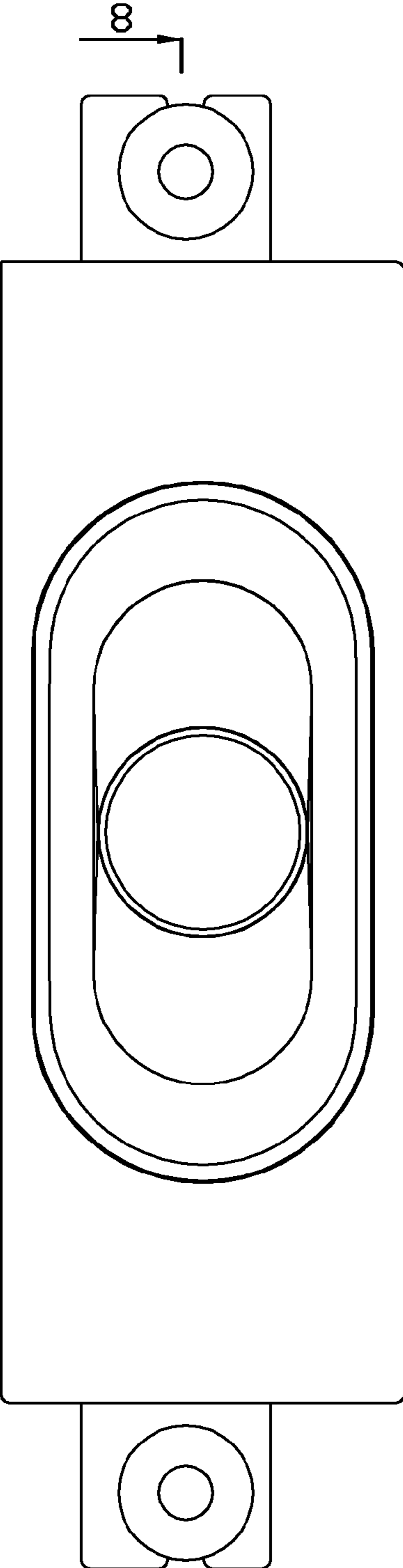


FIG. 1



8

8

FIG. 2

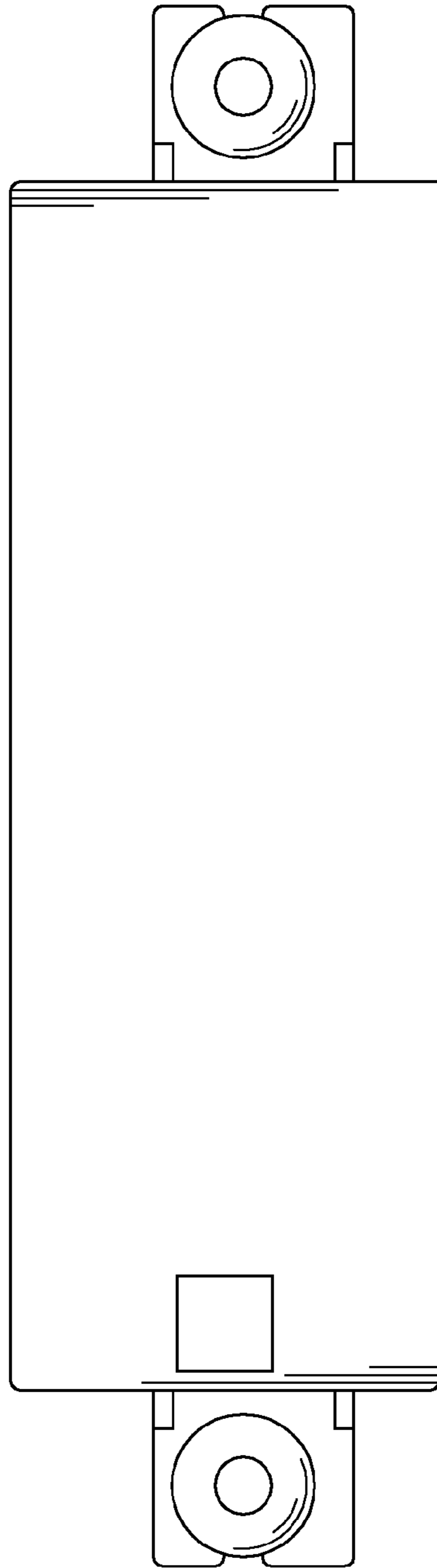


FIG. 3

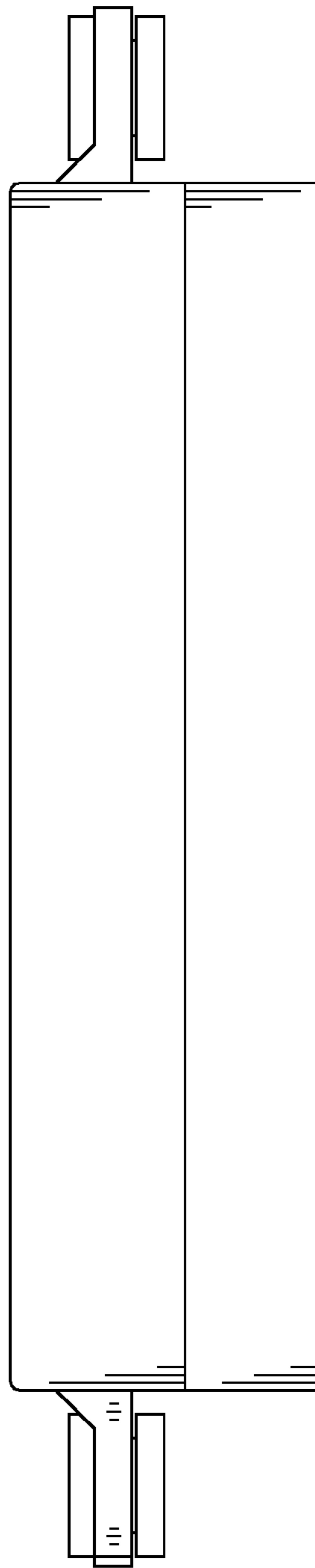


FIG. 4

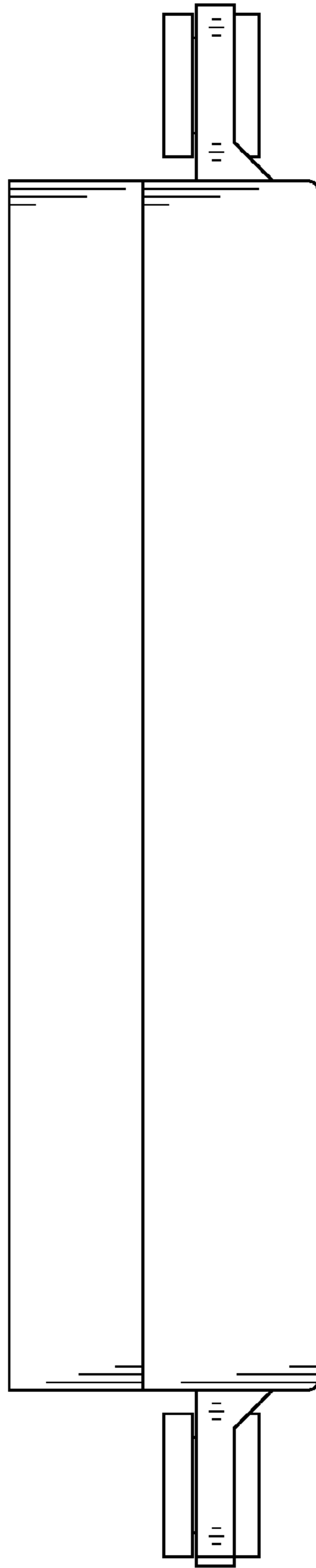


FIG. 5

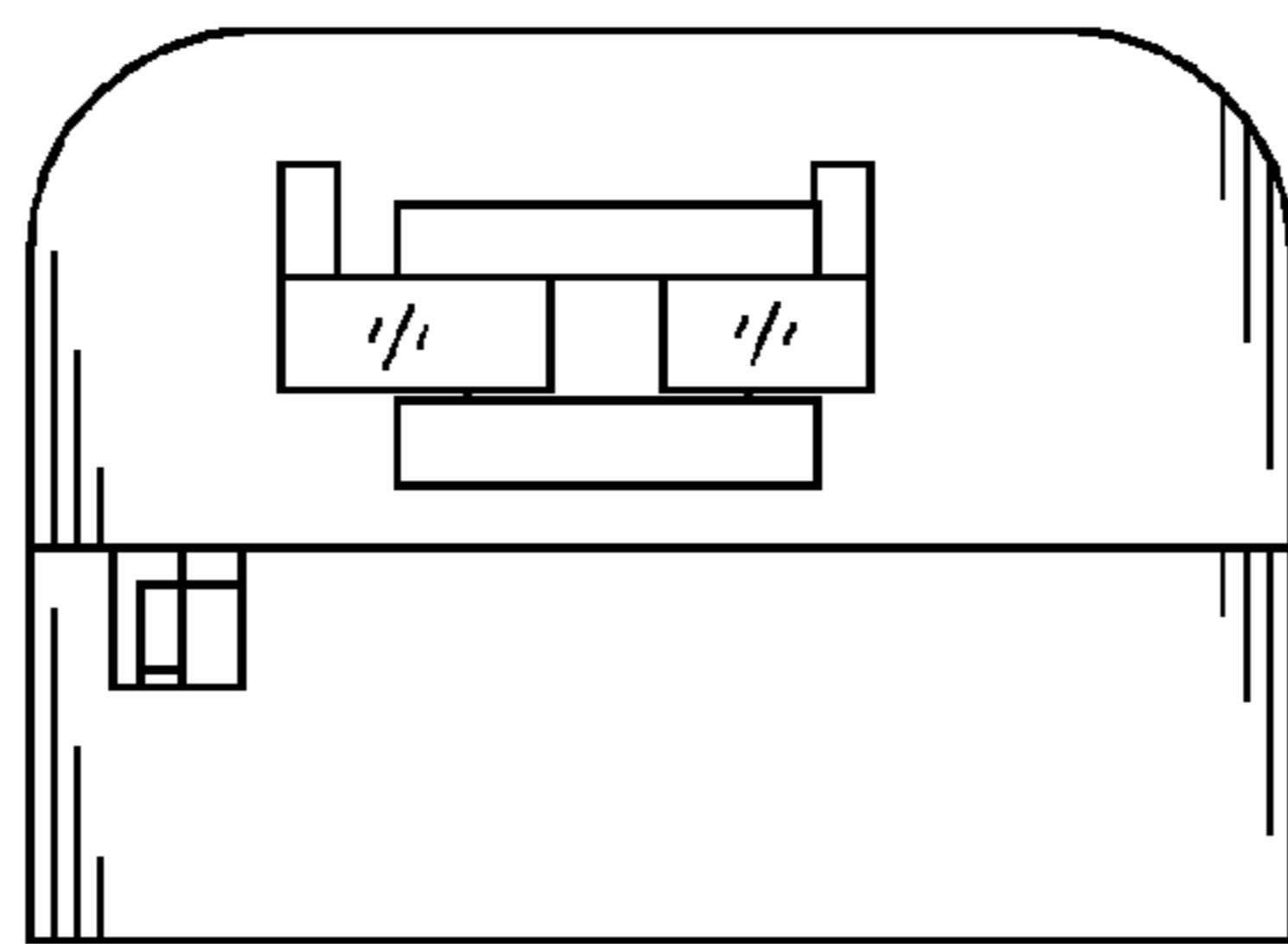


FIG. 6

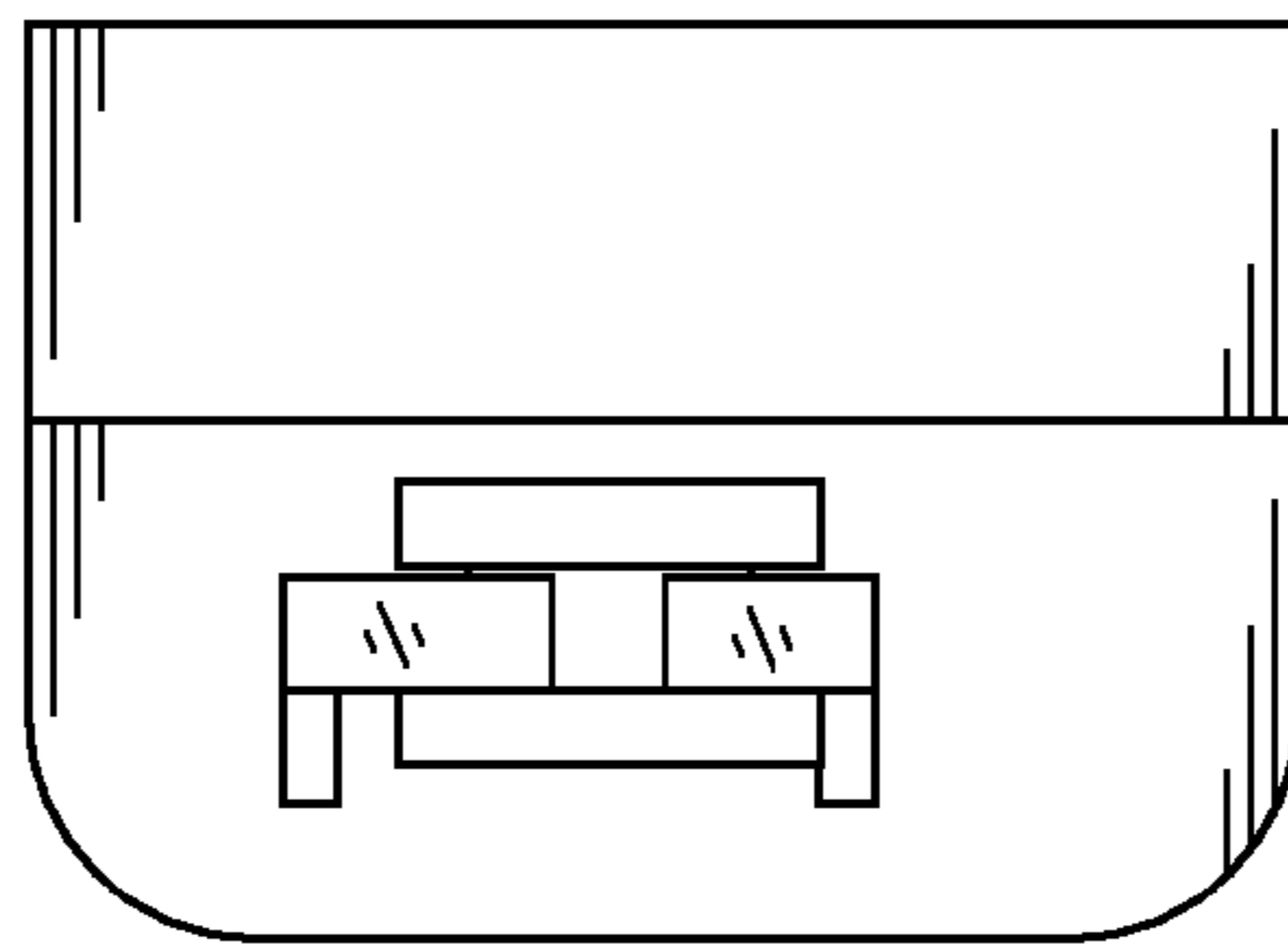


FIG. 7



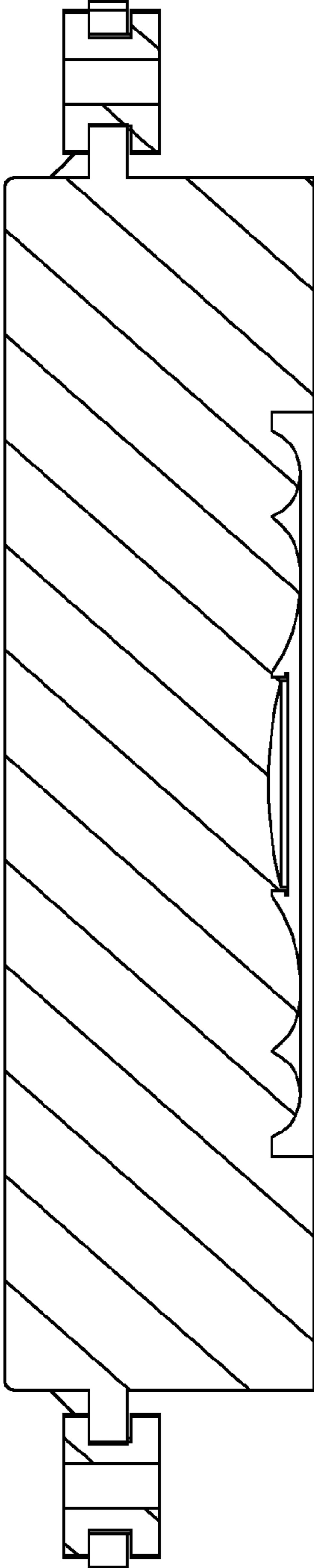


FIG. 8