



US00D644204S

(12) **United States Design Patent**
Poandl

(10) **Patent No.:** **US D644,204 S**

(45) **Date of Patent:** **** Aug. 30, 2011**

(54) **MULTI-MEDIA RECHARGEABLE SPEAKER**

(56)

References Cited

(75) Inventor: **Mary Beth Poandl**, Red Bank, NJ (US)

(73) Assignee: **SDI Technologies, Inc.**, Rahway, NJ
(US)

(**) Term: **14 Years**

(21) Appl. No.: **29/376,393**

(22) Filed: **Oct. 6, 2010**

(51) **LOC (9) Cl.** **14-01**

(52) **U.S. Cl.** **D14/215**

(58) **Field of Classification Search** D14/204,
D14/207, 209.1, 210-216, 171, 172, 168;
181/143-144, 147-148, 150-153, 157, 198-199;
381/300-303, 306, 332-333, 336, 345, 361-364,
381/386-388

See application file for complete search history.

U.S. PATENT DOCUMENTS

| | | | |
|---------------|---------|--------------------|---------|
| 5,319,164 A * | 6/1994 | Shen | 181/150 |
| D484,492 S * | 12/2003 | Welker et al. | D14/216 |
| D518,029 S * | 3/2006 | Tsang | D14/216 |
| D542,279 S * | 5/2007 | Chan | D14/216 |

* cited by examiner

Primary Examiner — Nanda Bondade

(74) *Attorney, Agent, or Firm* — Ostrolenk Faber LLP

(57)

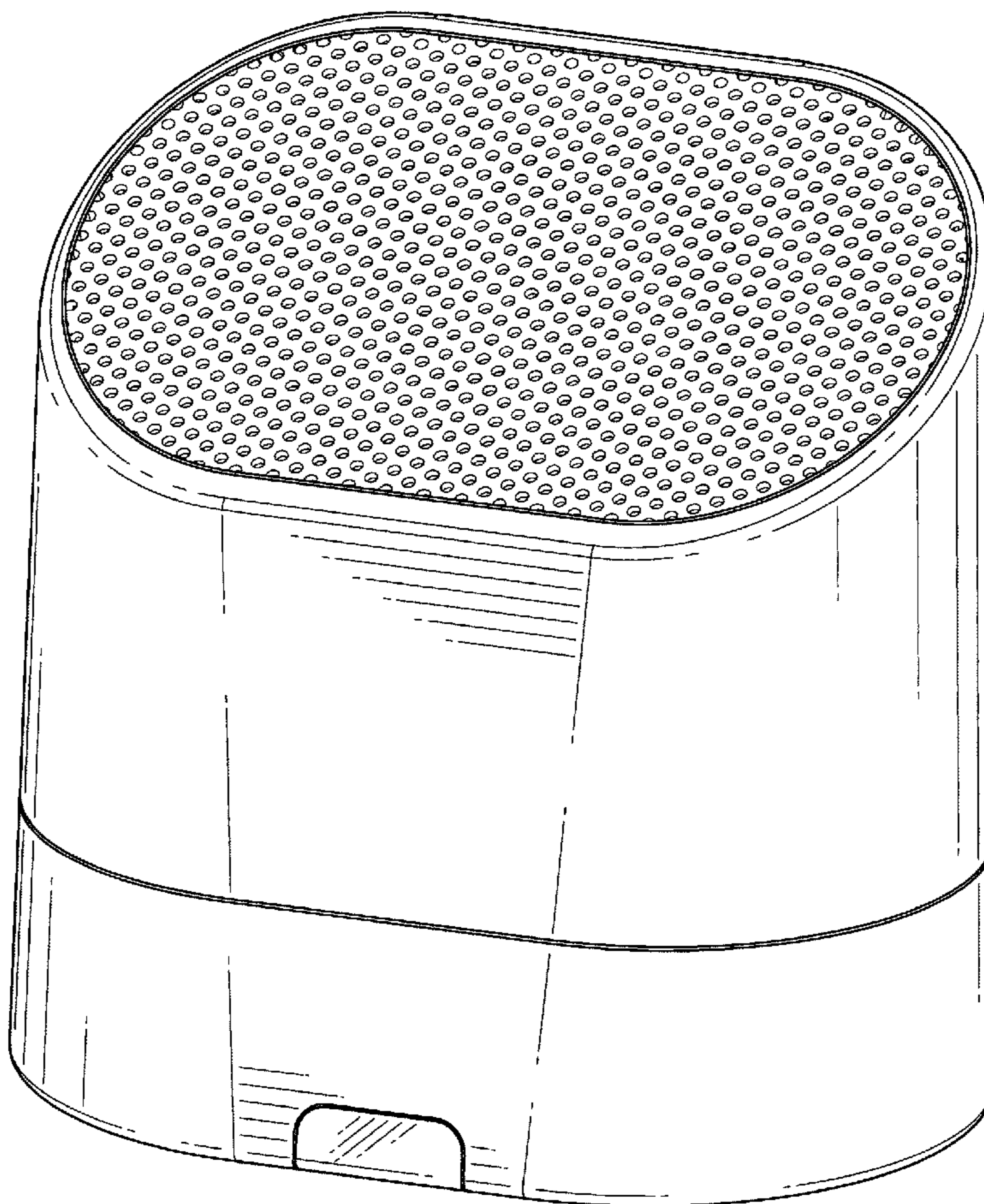
CLAIM

The ornamental design for a multi-media rechargeable speaker, as shown and described.

DESCRIPTION

FIG. 1 is a top, front, perspective view of multi-media rechargeable speaker showing my new design;
FIG. 2 is a front view thereof;
FIG. 3 is a rear view thereof;
FIG. 4 is a top view thereof;
FIG. 5 is a bottom view thereof; and,
FIG. 6 is a side view thereof, the opposite side view being a mirror image.
The broken lines in the drawings illustrate environmental material that forms no part of the claimed design.

1 Claim, 6 Drawing Sheets



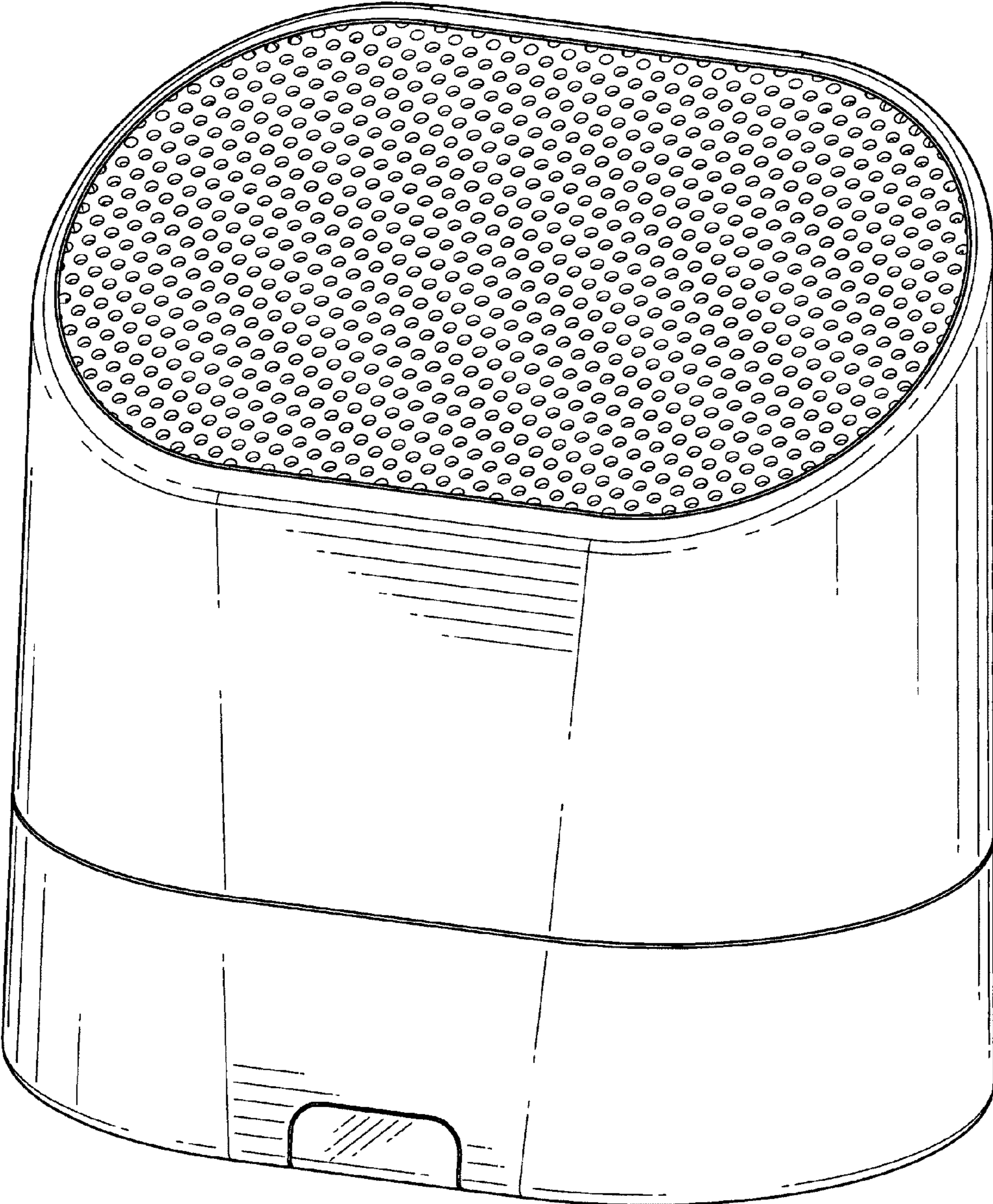


FIG. 1

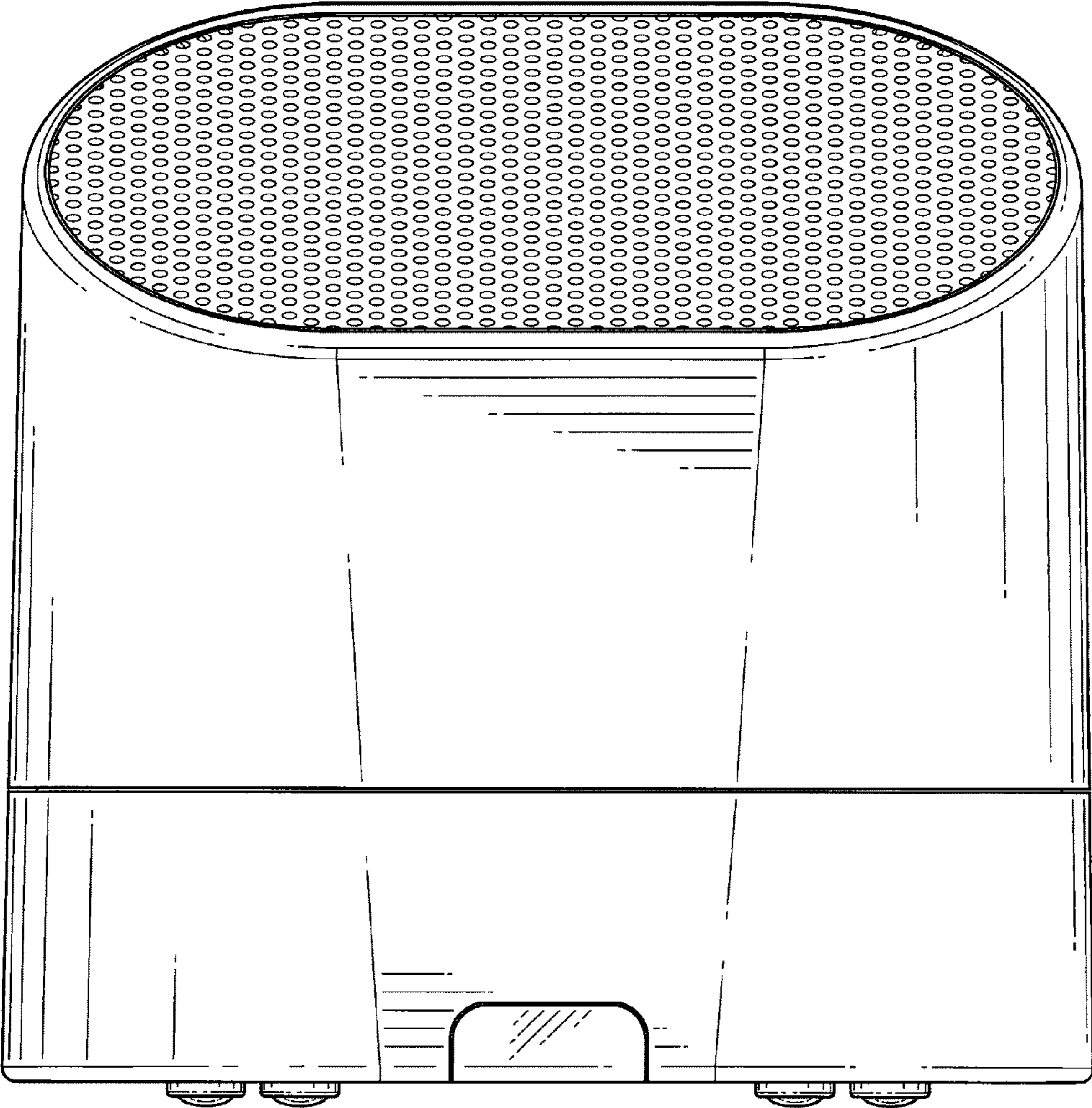


FIG. 2

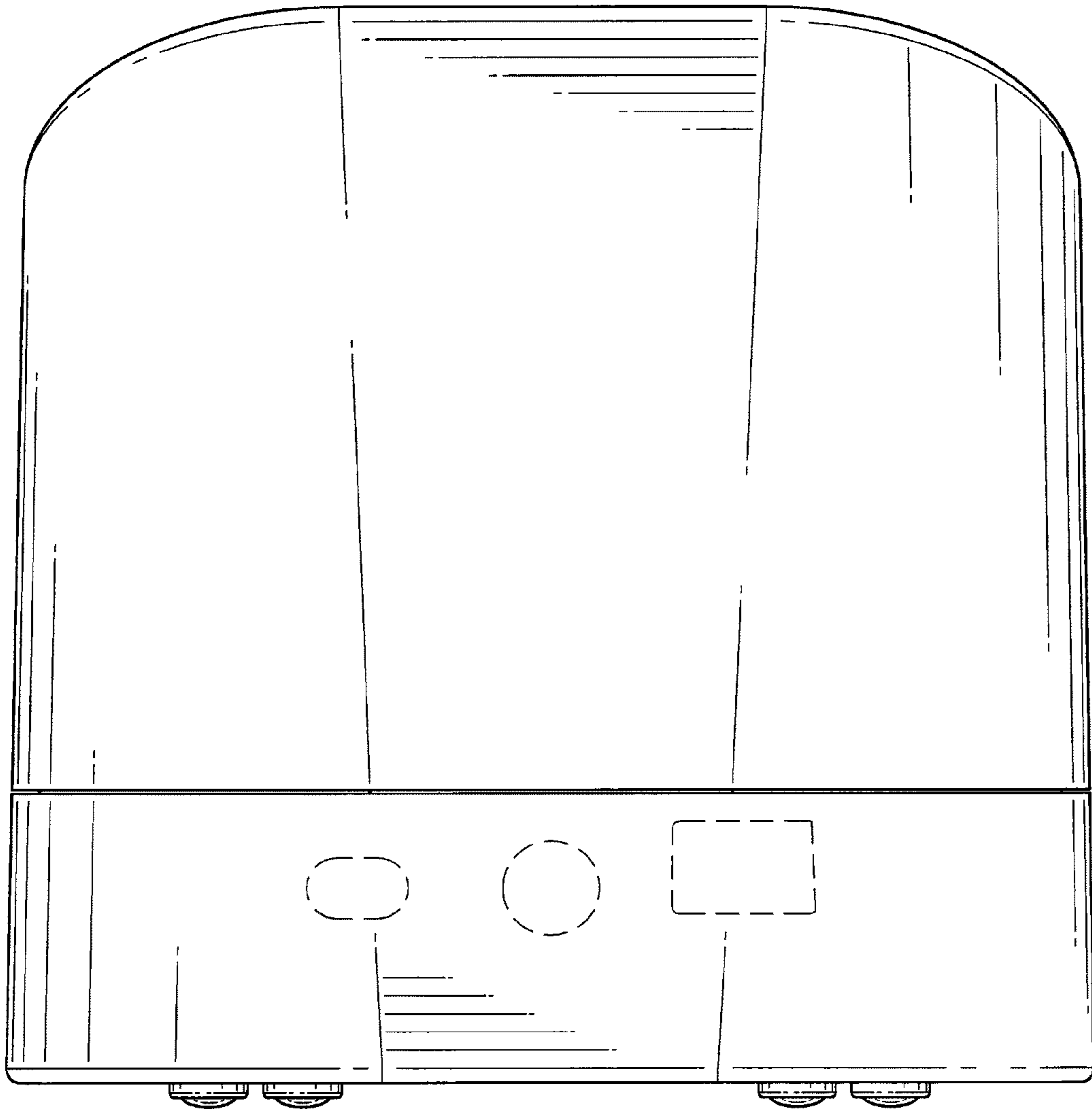


FIG. 3

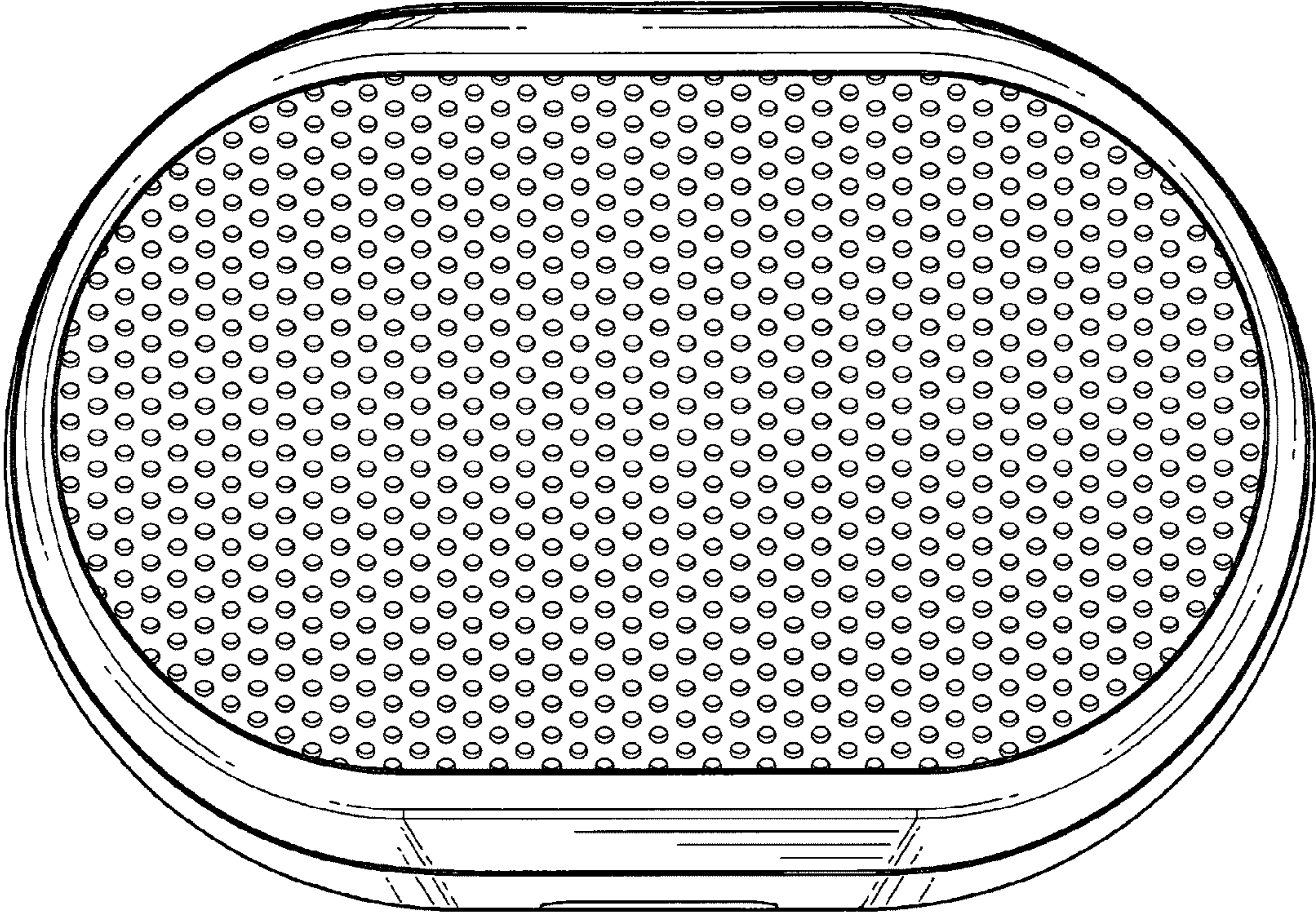


FIG. 4

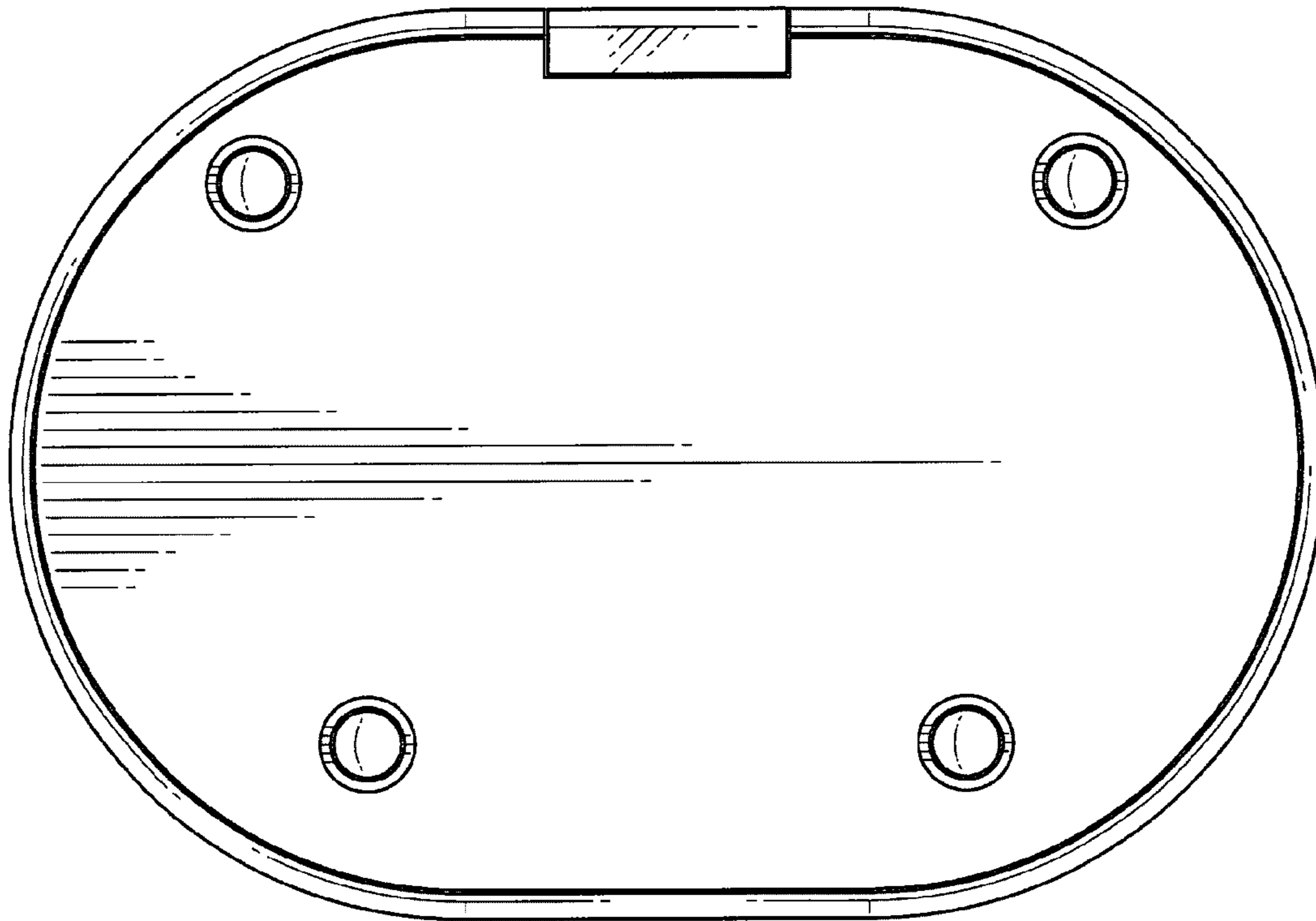


FIG. 5

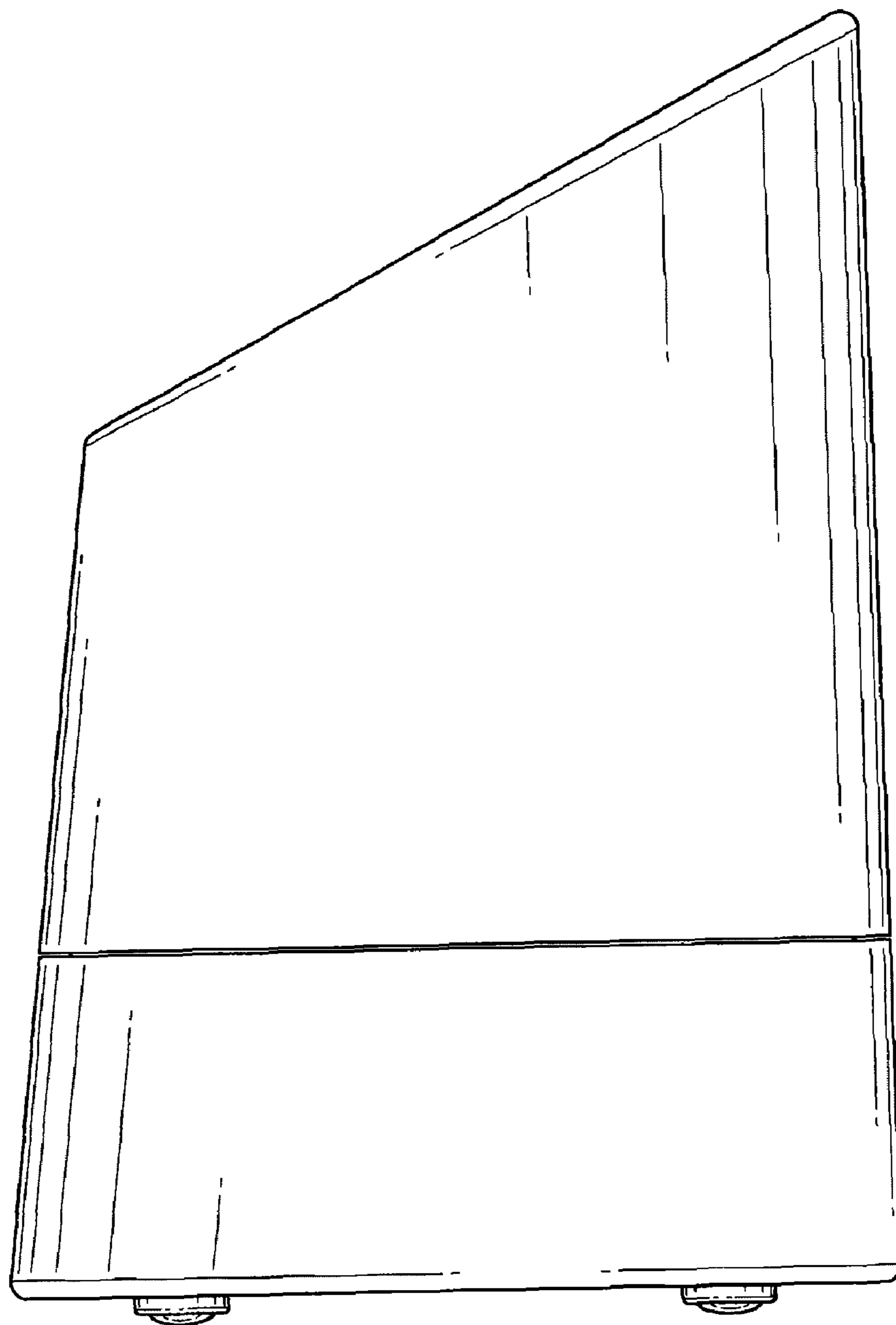


FIG. 6