



US00D644197S

(12) **United States Design Patent**
Lee et al.

(10) **Patent No.:** **US D644,197 S**
(45) **Date of Patent:** **** Aug. 30, 2011**

(54) **MOBILE PHONE**

(75) Inventors: **Ji-Young Lee**, Seoul (KR); **Nam-Mi Kim**, Seoul (KR)

(73) Assignee: **Samsung Electronics Co., Ltd.**, Suwon-Si (KR)

(**) Term: **14 Years**

(21) Appl. No.: **29/379,766**

(22) Filed: **Nov. 24, 2010**

(30) **Foreign Application Priority Data**

Sep. 15, 2010 (KR) 30-2010-0040783

(51) **LOC (9) Cl.** **14-03**

(52) **U.S. Cl.** **D14/138 G**

(58) **Field of Classification Search** D14/138 R,
D14/138 AD, 138 AC, 138 C, 138 G, 191,
D14/203.1–203.8, 496, 138 AA, 138 AB,
D14/137, 147, 218, 341–347, 247–248; D10/65,
D10/78, 104; D13/168; D18/7; 455/566,
455/575.1, 575.3, 575.4

See application file for complete search history.

(56) **References Cited**

U.S. PATENT DOCUMENTS

- D498,754 S * 11/2004 Blyth D14/341
- 6,933,927 B2 * 8/2005 Lu 345/169
- D530,699 S * 10/2006 Lee et al. D14/138 G
- D543,174 S * 5/2007 Kim D14/138 AD
- D565,533 S * 4/2008 Kim et al. D14/138 AD
- D587,671 S * 3/2009 Park et al. D14/138 AD
- D590,804 S * 4/2009 Tkachuk D14/138 AD
- D593,062 S * 5/2009 Lee et al. D14/138 G
- D606,037 S * 12/2009 Christopher et al. . D14/138 AD
- D606,505 S * 12/2009 Seflic et al. D14/138 G
- D611,025 S * 3/2010 Yu D14/138 G
- D613,709 S * 4/2010 Kim et al. D14/138 AD

- D615,055 S * 5/2010 Lee et al. D14/138 G
- D615,950 S * 5/2010 Cha et al. D14/138 AD
- D618,653 S * 6/2010 Kim et al. D14/138 AD
- D619,557 S * 7/2010 Han et al. D14/138 AD
- D620,470 S * 7/2010 Sohn et al. D14/138 AD
- D622,691 S * 8/2010 Kim et al. D14/138 G
- D624,039 S * 9/2010 Cha et al. D14/138 AD
- D632,664 S * 2/2011 Zhao D14/138 AD
- D633,492 S * 3/2011 Matsuoka D14/341
- D635,541 S * 4/2011 Park et al. D14/138 G
- 2003/0064751 A1 * 4/2003 Charlier et al. 455/557
- 2004/0259609 A1 * 12/2004 Fujii et al. 455/575.3
- 2005/0064917 A1 * 3/2005 Peng et al. 455/575.1
- 2006/0223596 A1 * 10/2006 Hur 455/575.4

OTHER PUBLICATIONS

Samsung S3650 Corby, announced Aug. 2009, [online], [retrieved on Sep. 4, 2009]. Retrieved from Internet ,<URL: <http://www.gsmarena.com>>.*

Samsung M5650 Lindy, announced Dec. 2009, [online], [retrieved on Dec. 7, 2009]. Retrieved from Internet ,<URL: <http://www.gsmarena.com>>.*

(Continued)

Primary Examiner — Bridget L Eland

(74) *Attorney, Agent, or Firm* — Staas & Halsey LLP

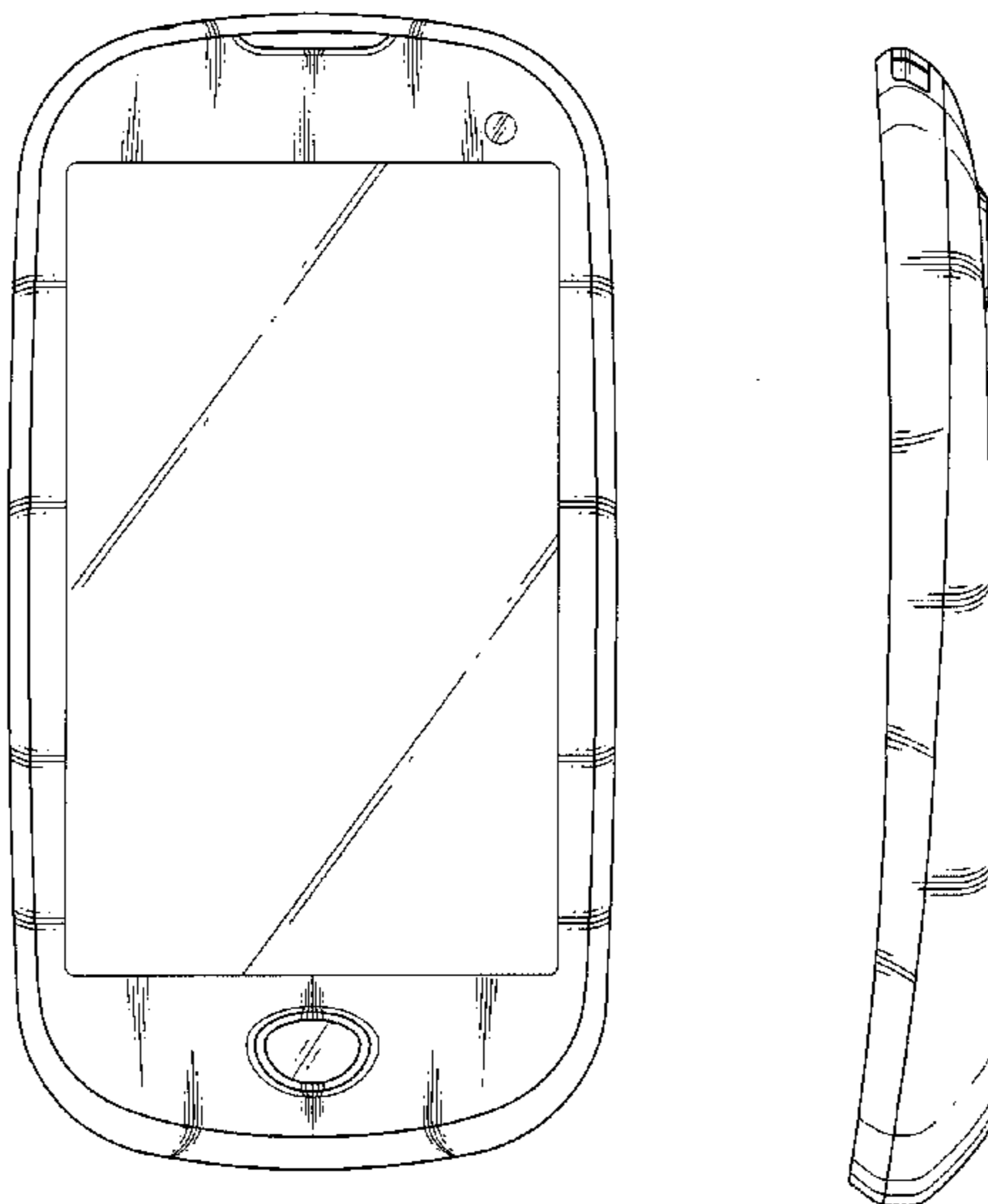
(57) **CLAIM**

The ornamental design for a mobile phone, as shown and described.

DESCRIPTION

FIG. 1 is a front perspective view of a mobile phone; FIG. 2 is a front view of the mobile phone of FIG. 1; FIG. 3 is a rear view of the mobile phone of FIG. 1; FIG. 4 is a left-side view of the mobile phone of FIG. 1; FIG. 5 is a right-side view of the mobile phone of FIG. 1; FIG. 6 is a top plan view of the mobile phone of FIG. 1; and, FIG. 7 is a bottom plan view of the mobile phone of FIG. 1.

1 Claim, 7 Drawing Sheets



OTHER PUBLICATIONS

Samsung B3410, announced Oct. 2009, [online], [retrieved on Nov. 25, 2009]. Retrieved from Internet ,<URL: <http://www.gsmarena.com>>.*

Samsung S7070 Diva, announced Dec. 2009, [online], [retrieved on Dec. 7, 2009]. Retrieved from Internet ,<URL: <http://www.gsmarena.com>>.*

* cited by examiner

FIG. 1

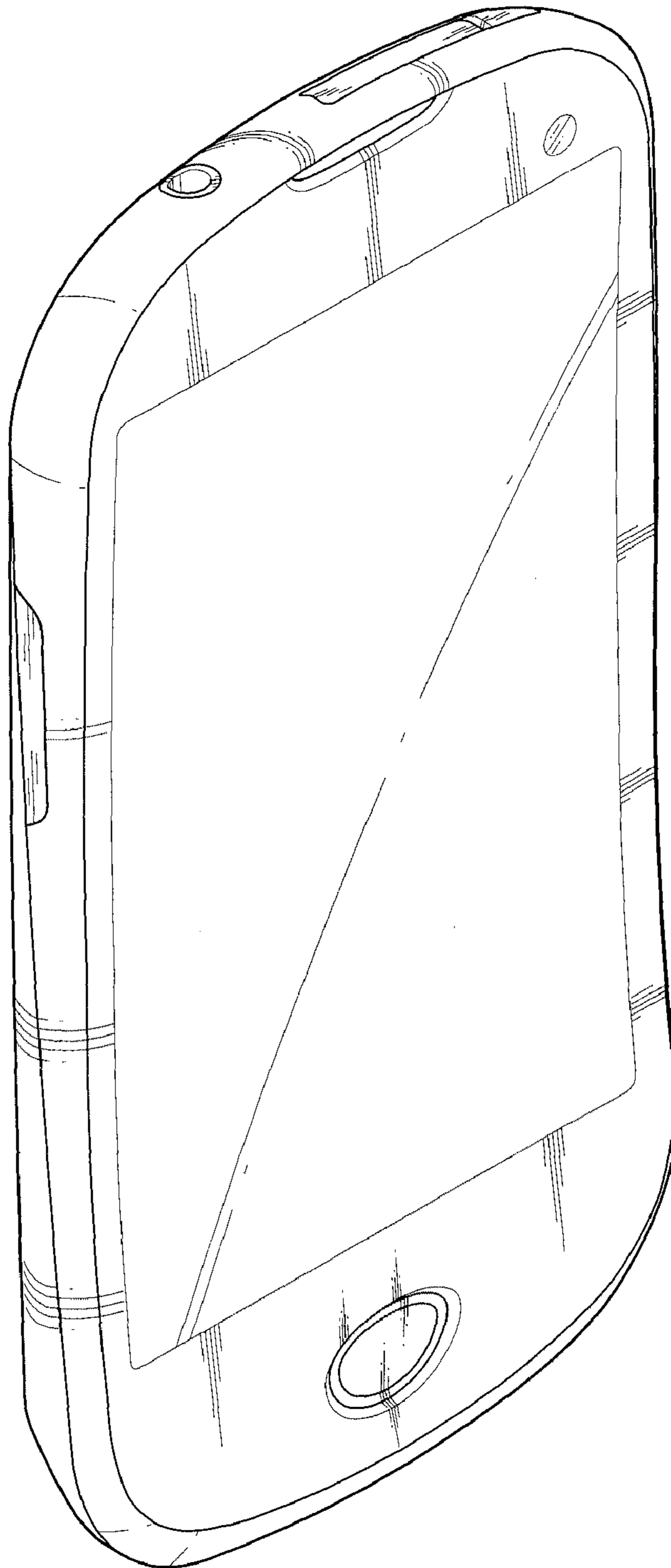


FIG. 2

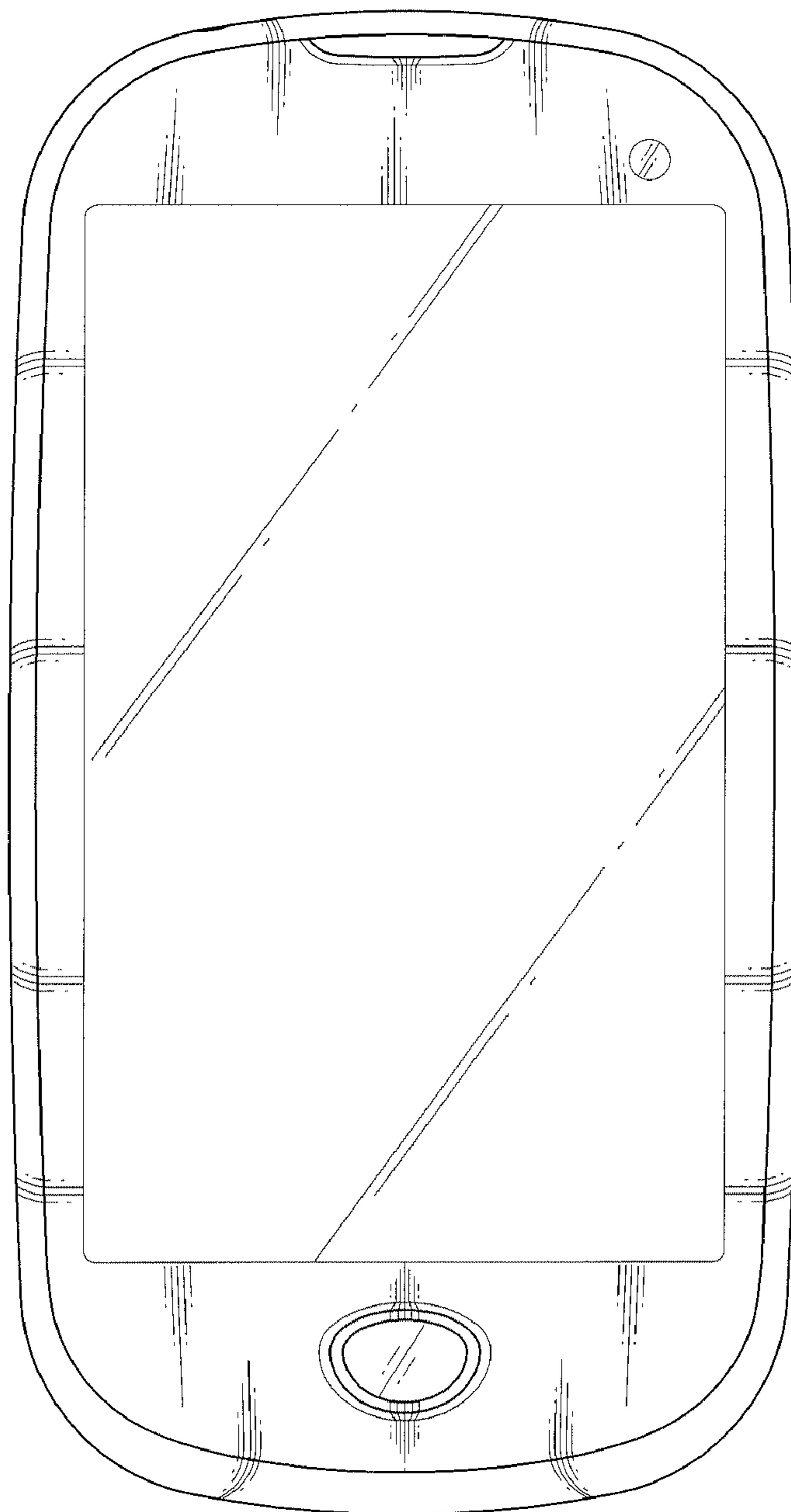


FIG. 3

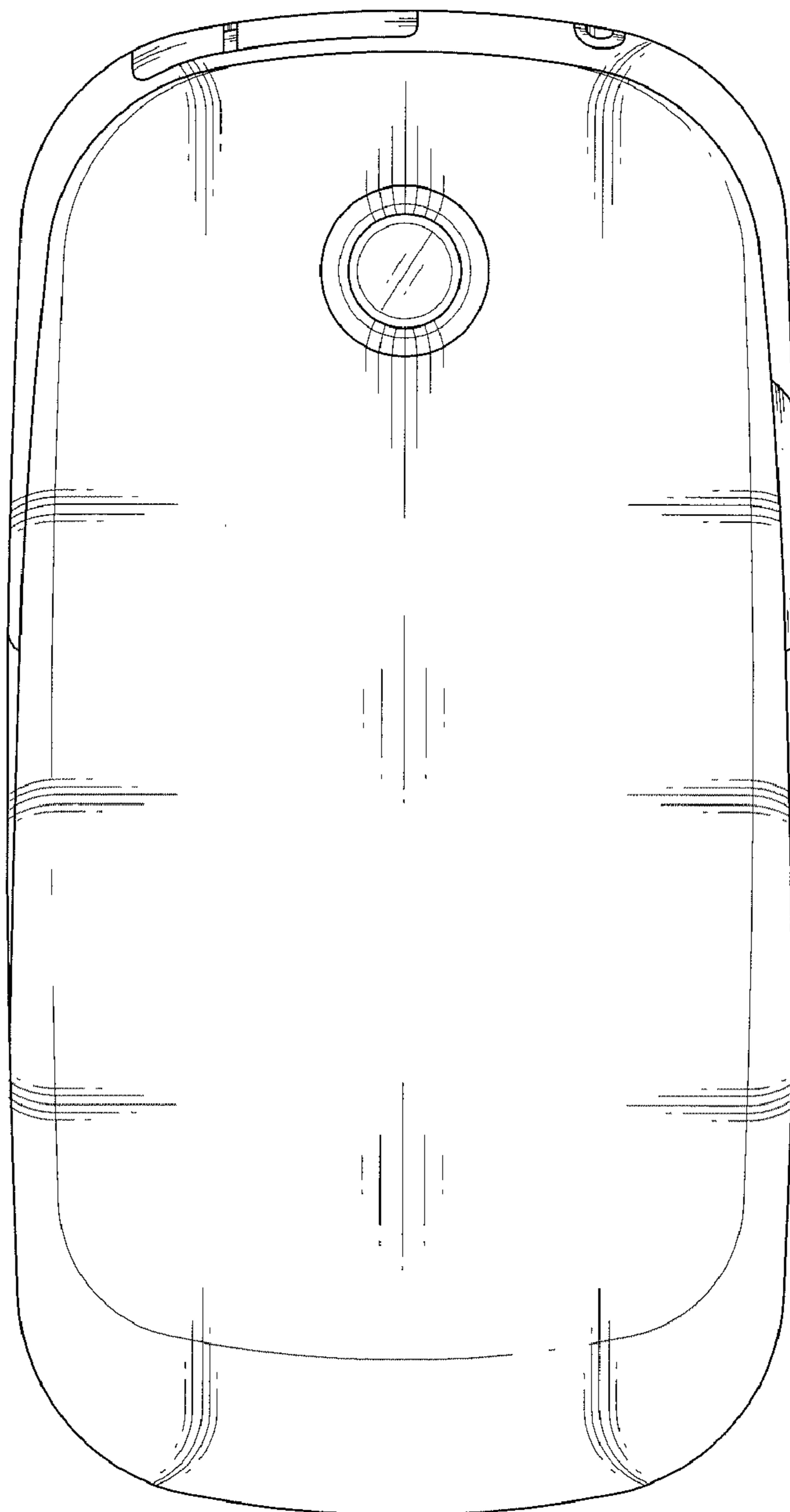


FIG. 4

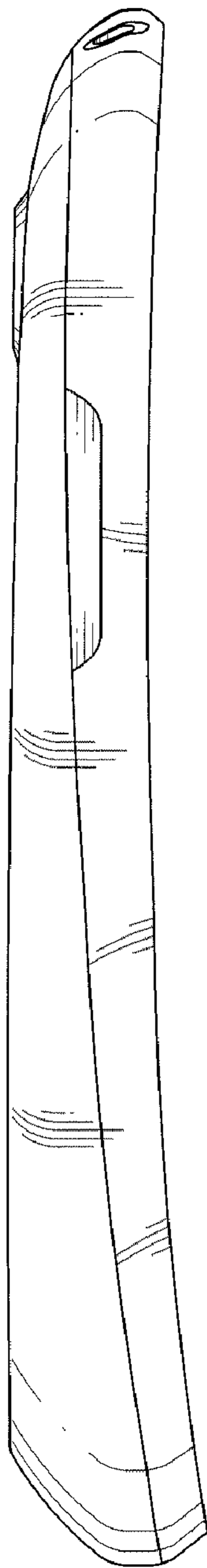


FIG. 5

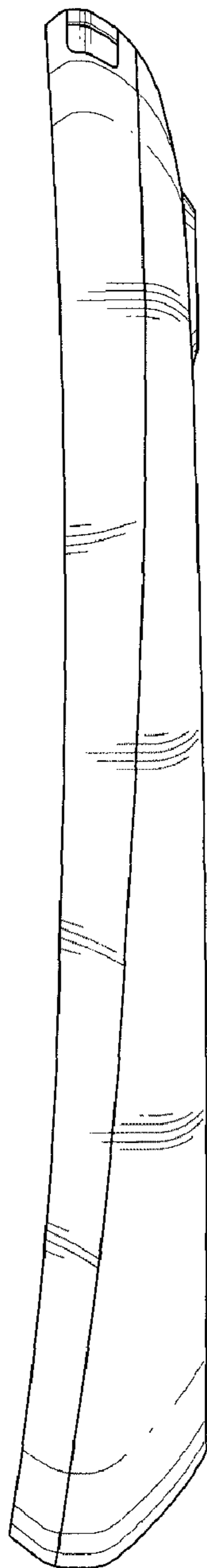


FIG. 6

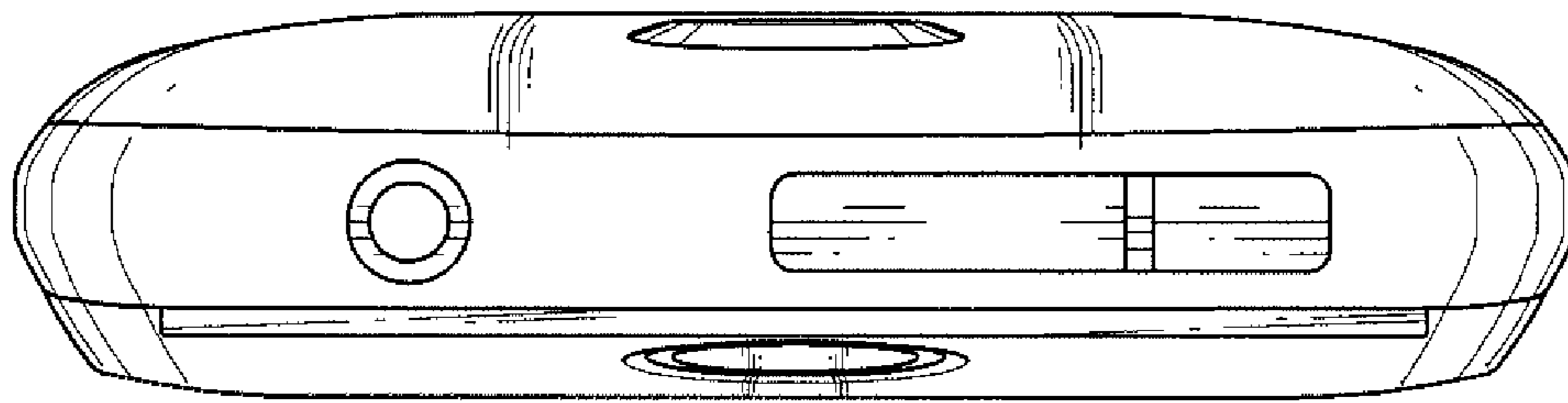


FIG. 7

