



US00D644195S

(12) **United States Design Patent**
Kim et al.

(10) **Patent No.:** **US D644,195 S**

(45) **Date of Patent:** **** Aug. 30, 2011**

(54) **MOBILE PHONE**

(75) Inventors: **Hyon Kim**, Gyeonggi-do (KR); **Jiyoun Cha**, Seoul (KR)

(73) Assignee: **LG Electronics Inc.**, Seoul (KR)

(**) Term: **14 Years**

(21) Appl. No.: **29/379,039**

(22) Filed: **Nov. 12, 2010**

(30) **Foreign Application Priority Data**

May 13, 2010 (KR) 30-2010-0021437

(51) **LOC (9) Cl.** **14-03**

(52) **U.S. Cl.** **D14/138 G**

(58) **Field of Classification Search** D14/138 R,
D14/138 AD, 138 AC, 138 C, 138 G, 191,
D14/203.1-203.8, 496, 138 AA, 138 AB,
D14/137, 147, 218, 341-347, 247-248; D10/65,
D10/78, 104; D13/168; D18/7; 455/566,
455/575.1, 575.3, 575.4

See application file for complete search history.

(56) **References Cited**

U.S. PATENT DOCUMENTS

- D519,998 S * 5/2006 Park D14/346
- D587,671 S * 3/2009 Park et al. D14/138 AD
- D615,950 S * 5/2010 Cha et al. D14/138 AD
- D616,854 S * 6/2010 Kim et al. D14/138 AD
- D619,985 S * 7/2010 Choi et al. D14/138 G
- D622,691 S * 8/2010 Kim et al. D14/138 G
- D631,864 S * 2/2011 Jung D14/138 AB
- D633,070 S * 2/2011 Tzeng D14/138 G

- D633,492 S * 3/2011 Matsuoka D14/341
- D635,949 S * 4/2011 Kim D14/138 AD
- 2005/0190291 A1* 9/2005 Kota et al. 348/376
- 2008/0045282 A1* 2/2008 Huang 455/575.4
- 2008/0225109 A1* 9/2008 Lee 348/14.02

OTHER PUBLICATIONS

LG GS500 Cookie Plus, announced Feb. 2010, [online], [retrieved on Feb. 17, 2010]. Retrieved from Internet ,<URL: <http://www.gsmarena.com>>.*

Acer M900, announced Feb. 2009, [online], [retrieved on Oct. 28, 2009]. Retrieved from Internet ,<URL: <http://www.gsmarena.com>>.*

* cited by examiner

Primary Examiner — Bridget L Eland

(74) *Attorney, Agent, or Firm* — Birch, Stewart, Kolasch & Birch, LLP

(57) **CLAIM**

The ornamental design for a mobile phone, as shown and described.

DESCRIPTION

FIG. 1 is a perspective view of a mobile phone showing our new design;

FIG. 2 is a front view thereof;

FIG. 3 is a rear view thereof;

FIG. 4 is a left side view thereof;

FIG. 5 is a right side view thereof;

FIG. 6 is a top plan view thereof; and,

FIG. 7 is a bottom plan view thereof.

1 Claim, 6 Drawing Sheets

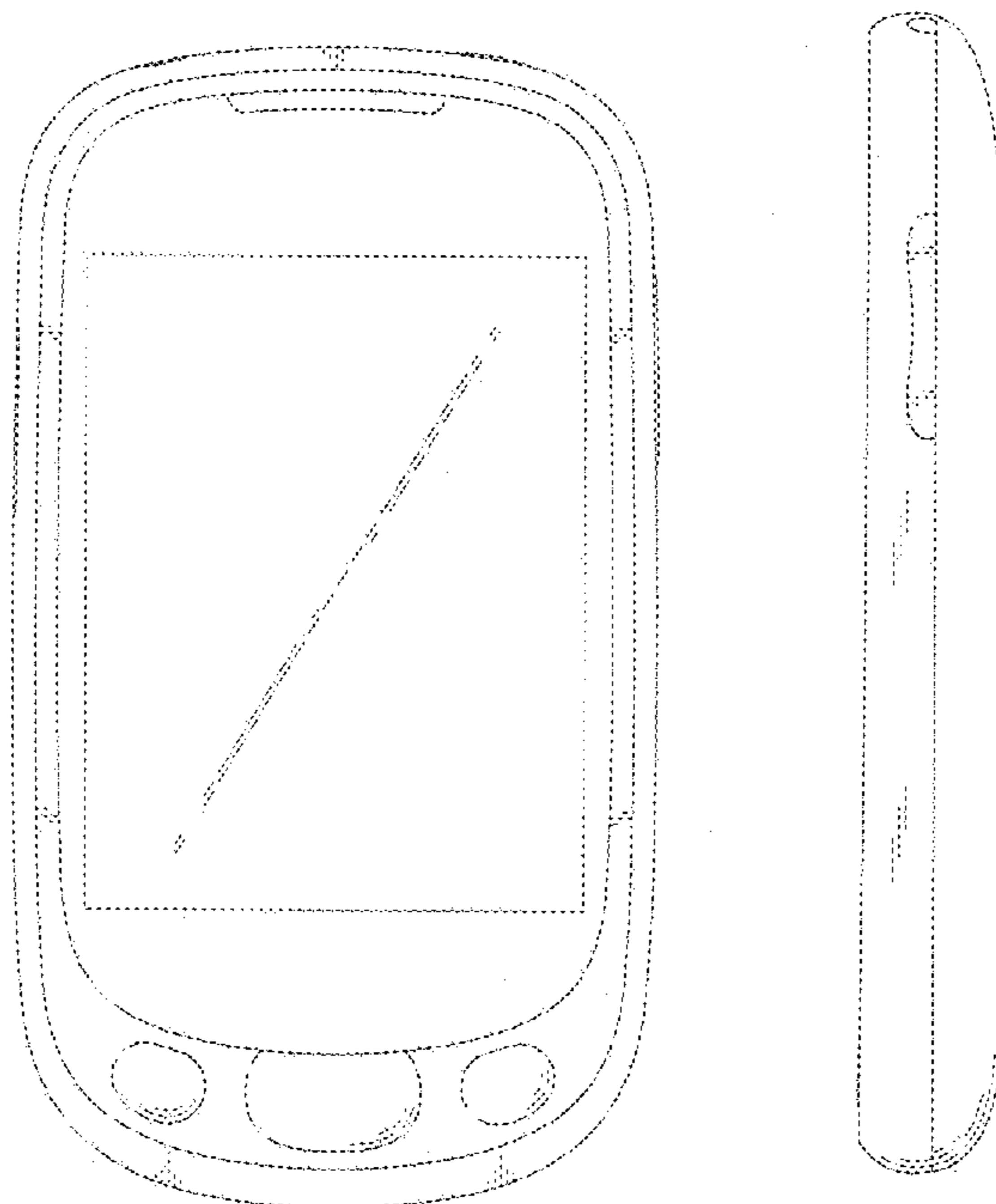


FIG. 1

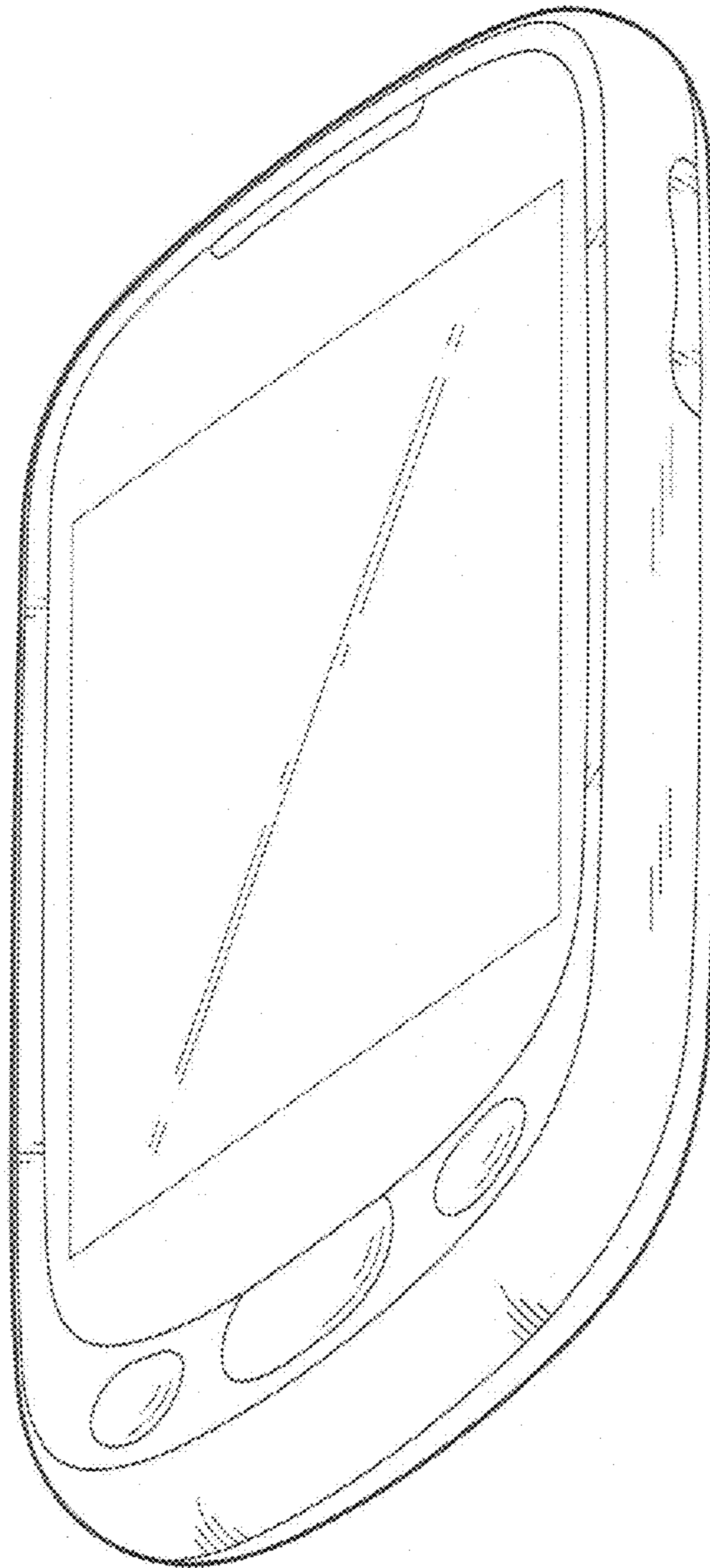


FIG. 2

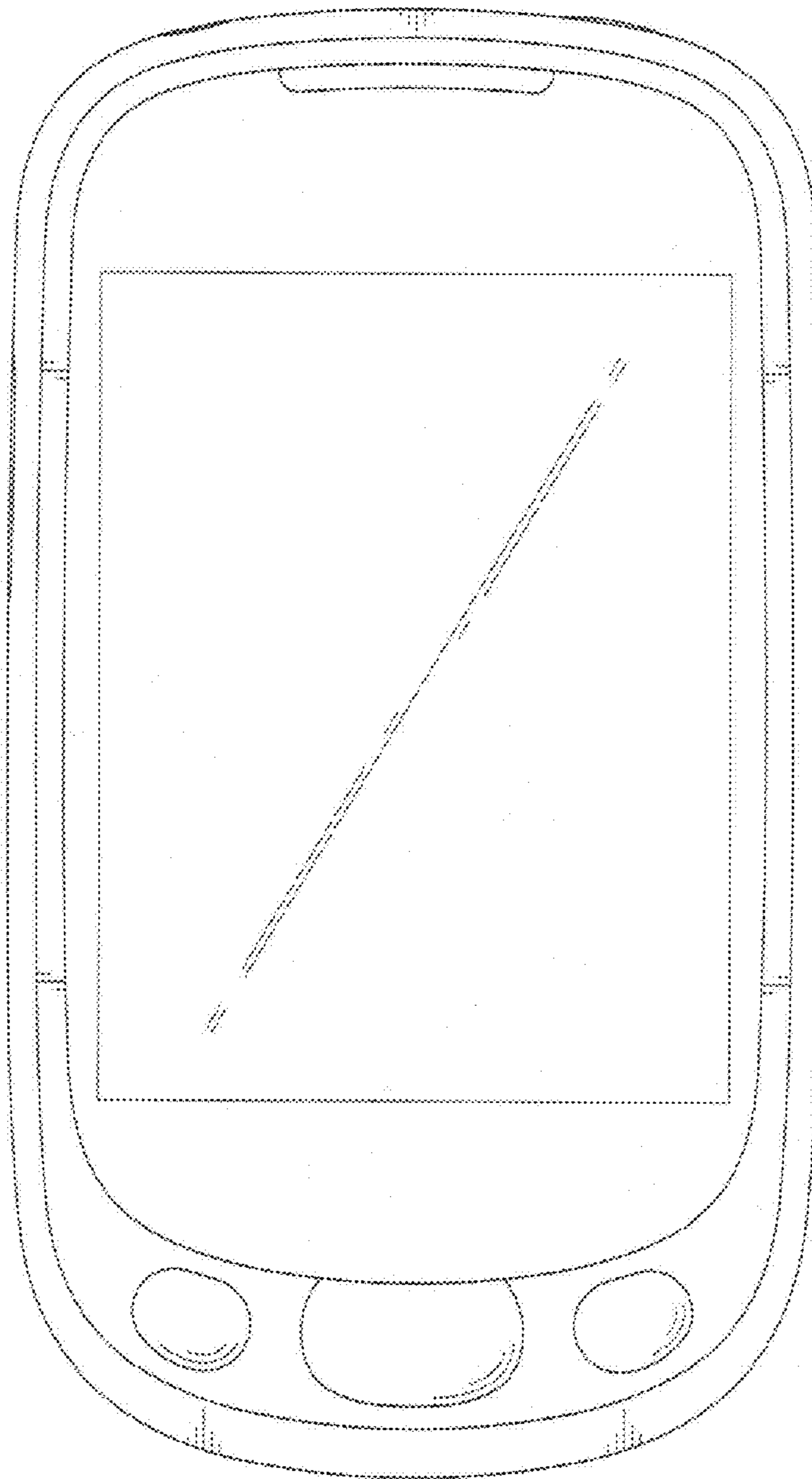


FIG. 3

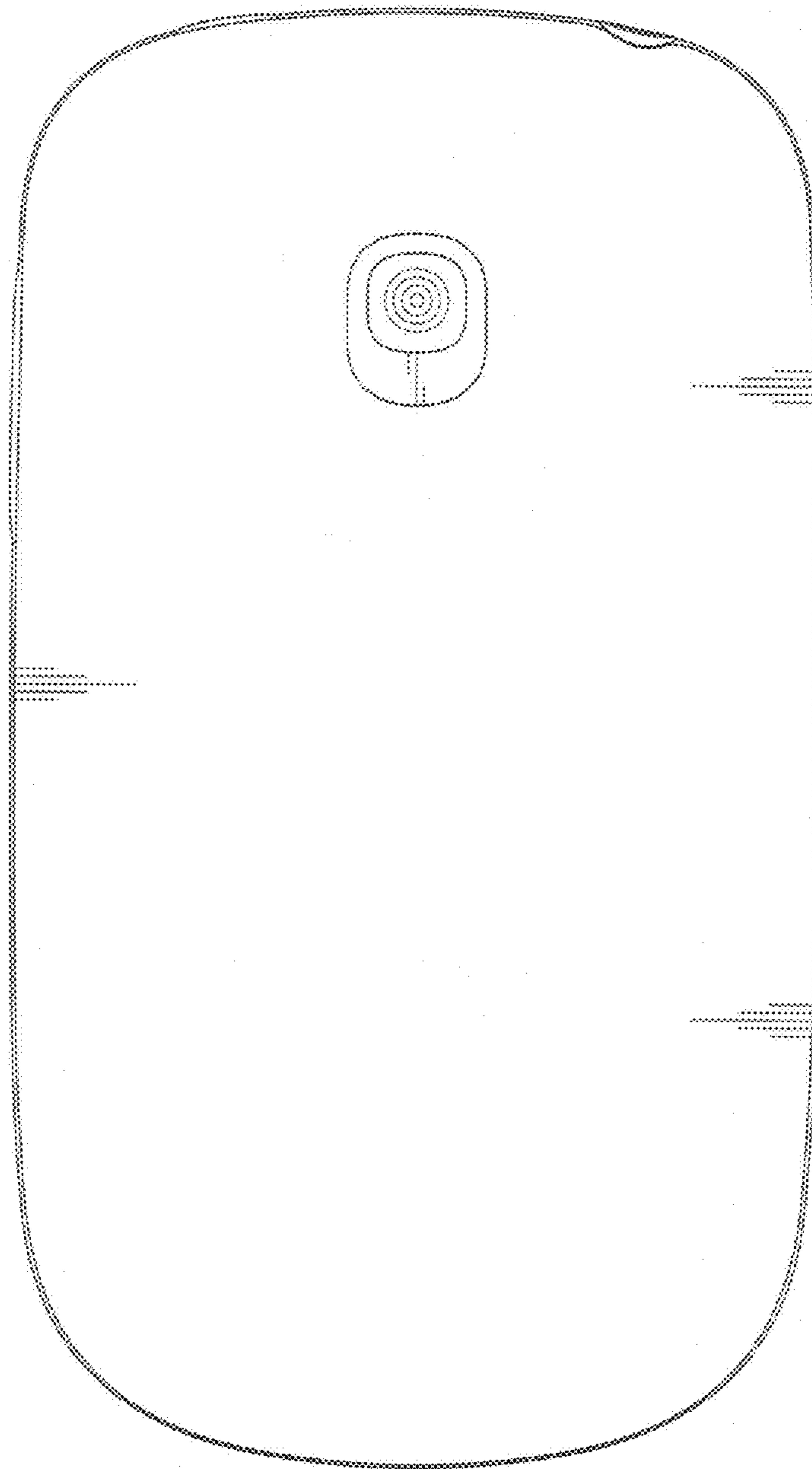


FIG. 4

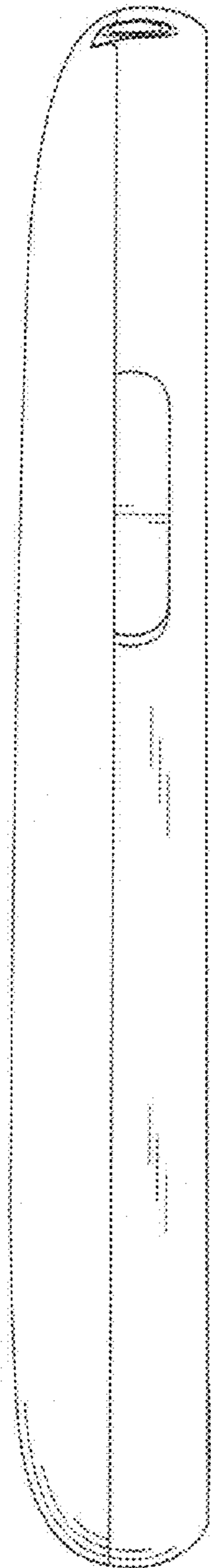


FIG. 5

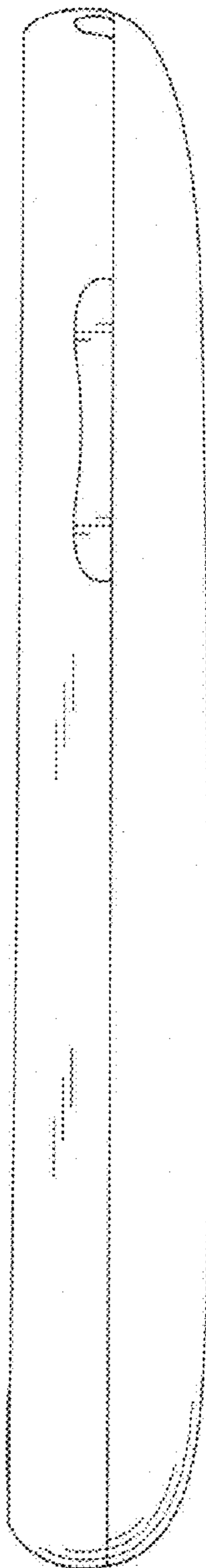


FIG. 6

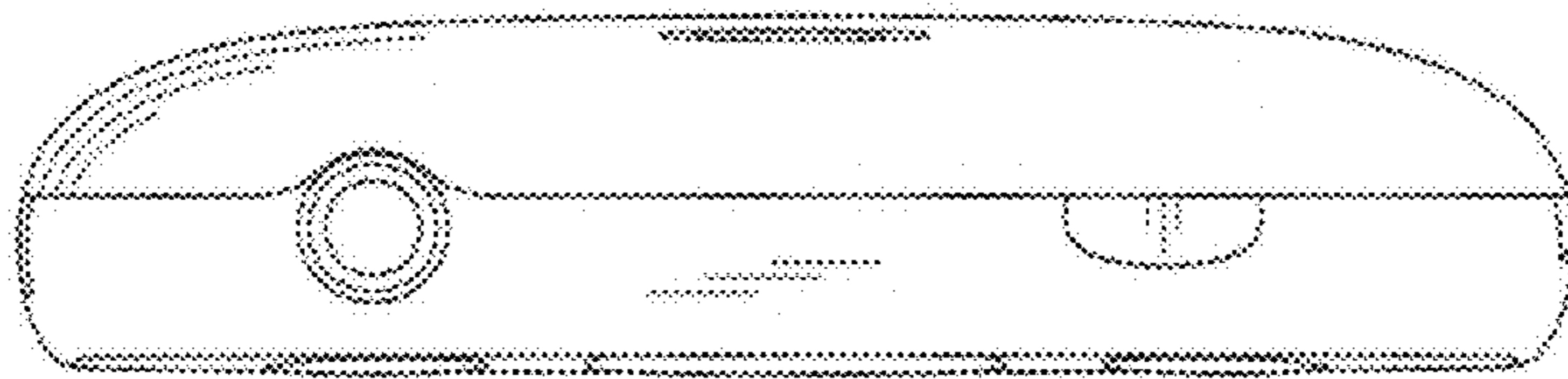


FIG. 7

