



US00D644193S

(12) **United States Design Patent**
Wang et al.

(10) **Patent No.:** **US D644,193 S**

(45) **Date of Patent:** **** Aug. 30, 2011**

(54) **LIQUID CRYSTAL DISPLAY TELEVISION**

(56) **References Cited**

(75) Inventors: **Kai-Yu Wang**, Zhonghe (TW);
Yen-Ying Chu, Zhonghe (TW)

U.S. PATENT DOCUMENTS

(73) Assignee: **Top Victory Investments Ltd.**, Harbour
(HK)

D527,356	S	*	8/2006	Hoehn	D14/126
D550,634	S	*	9/2007	Rashid	D14/126
D557,228	S	*	12/2007	Matsumoto et al.	D14/126
D565,519	S	*	4/2008	Kuramashi et al.	D14/126
D566,068	S	*	4/2008	Shimizu et al.	D14/126
D628,173	S	*	11/2010	Chien	D14/126
D628,969	S	*	12/2010	Chien	D14/126
D630,600	S	*	1/2011	Chien	D14/126
D630,601	S	*	1/2011	Chien	D14/126

(**) Term: **14 Years**

* cited by examiner

(21) Appl. No.: **29/381,036**

Primary Examiner — Raphael Barkai

(22) Filed: **Dec. 14, 2010**

(74) *Attorney, Agent, or Firm* — McGinn IP Law Group, PLLC

(51) **LOC (9) Cl.** **14-03**

(57) **CLAIM**

(52) **U.S. Cl.** **D14/126**

The ornamental design for liquid crystal display television, as shown and described.

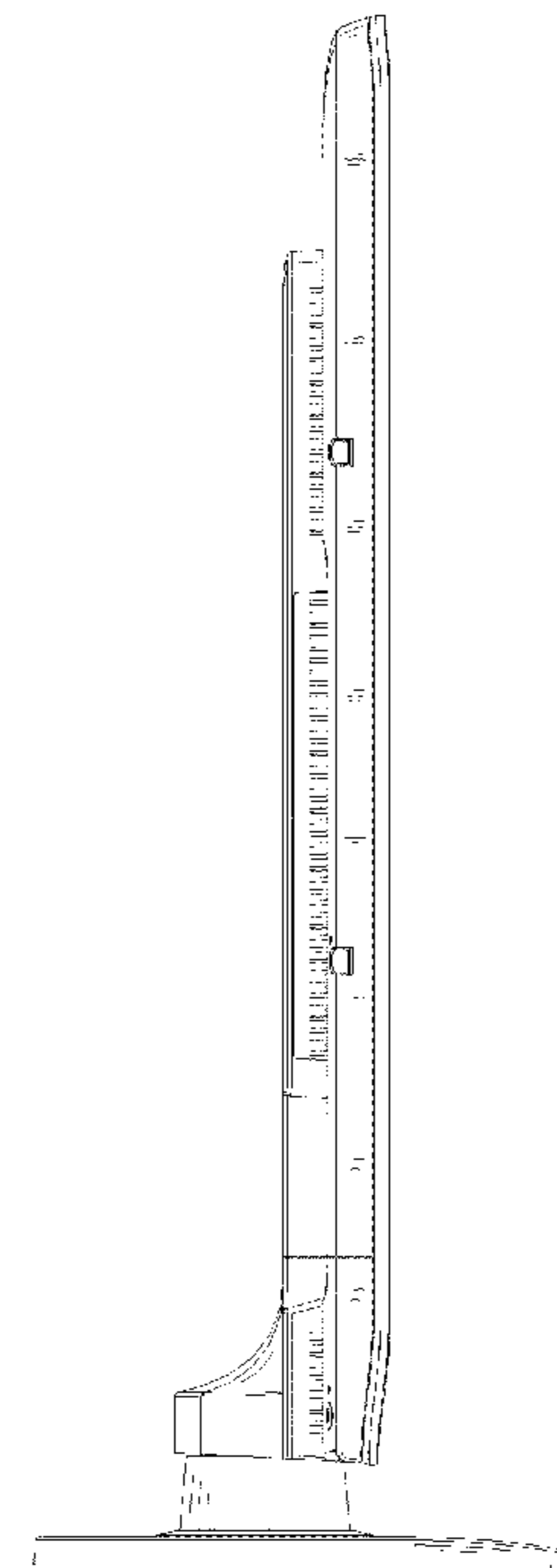
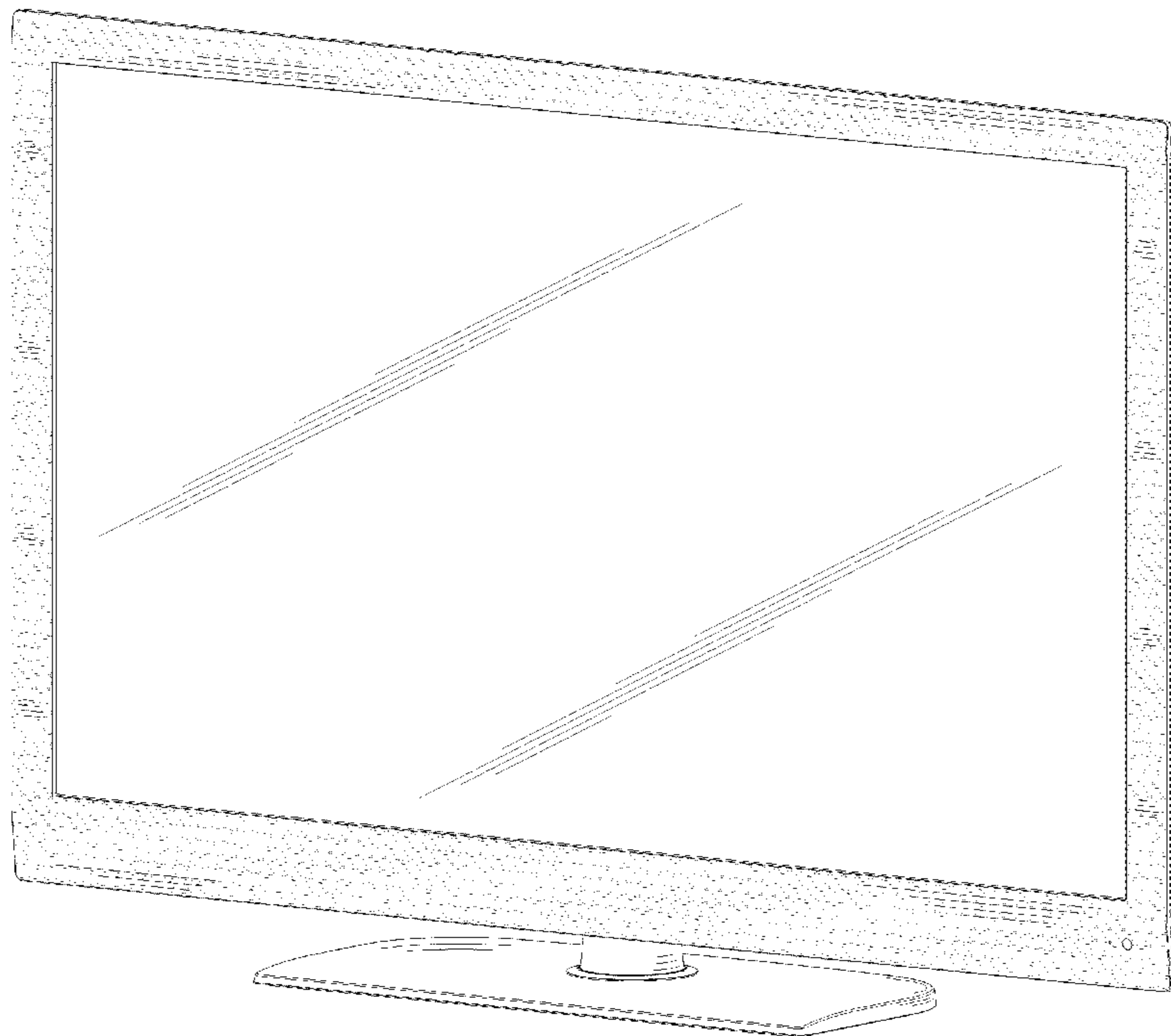
(58) **Field of Classification Search** D14/125-134,
D14/239, 371, 136, 374-377, 440, 450, 448,
D14/336, 342; 312/7.2; 348/836, 838, 180,
348/184, 325, 739; 341/12; 248/917-924,
248/465; 345/104, 133, 156, 168, 87, 173;
720/605, 669, 600, 655; 369/99, 197; 455/344,
455/347; D21/329, 515, 577, 622, 333, 433,
D21/448, 452, 450, 331; D6/477, 479, 300;
273/148 B; 446/484, 175, 356; D10/15,
D10/26

DESCRIPTION

FIG. 1 is a perspective view of a liquid crystal display television showing our new design;
FIG. 2 is a front side elevational view thereof;
FIG. 3 is a rear side elevational view thereof;
FIG. 4 is a left elevational view thereof;
FIG. 5 is a right elevational view thereof;
FIG. 6 is a top plan view thereof;
FIG. 7 is a bottom plan view thereof; and,
FIG. 8 is a rear perspective view thereof.

See application file for complete search history.

1 Claim, 8 Drawing Sheets



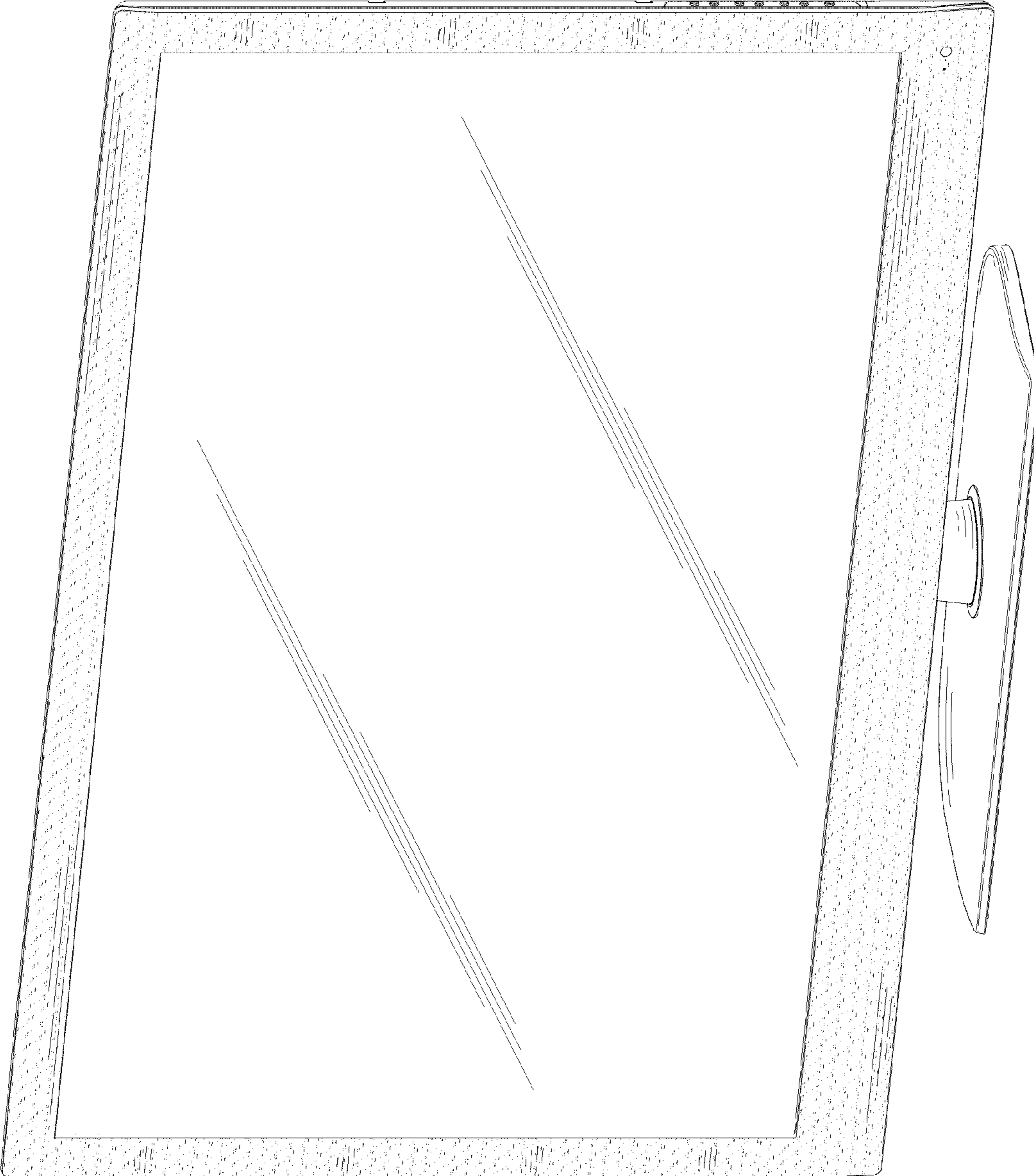


FIG. 1

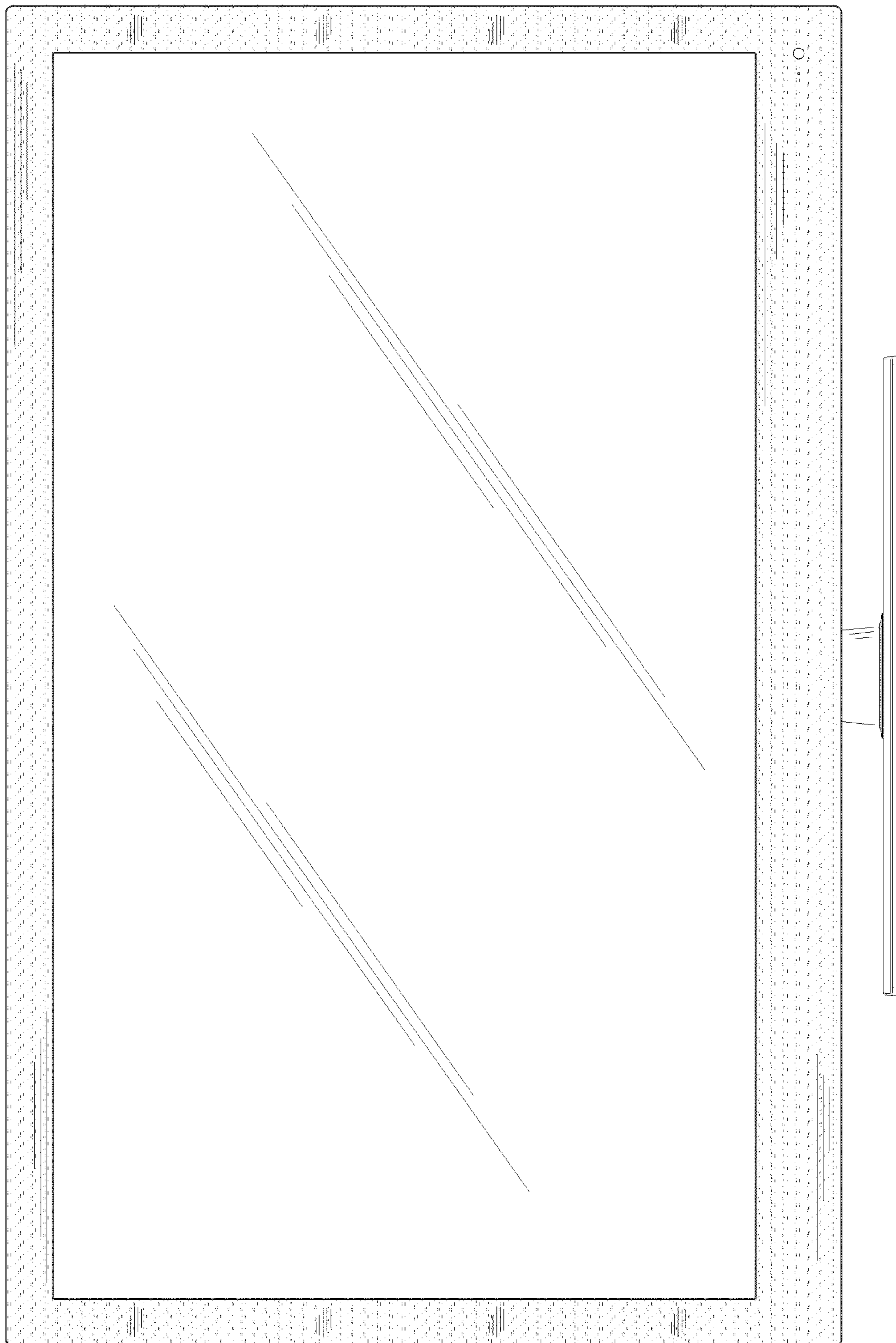


FIG. 2

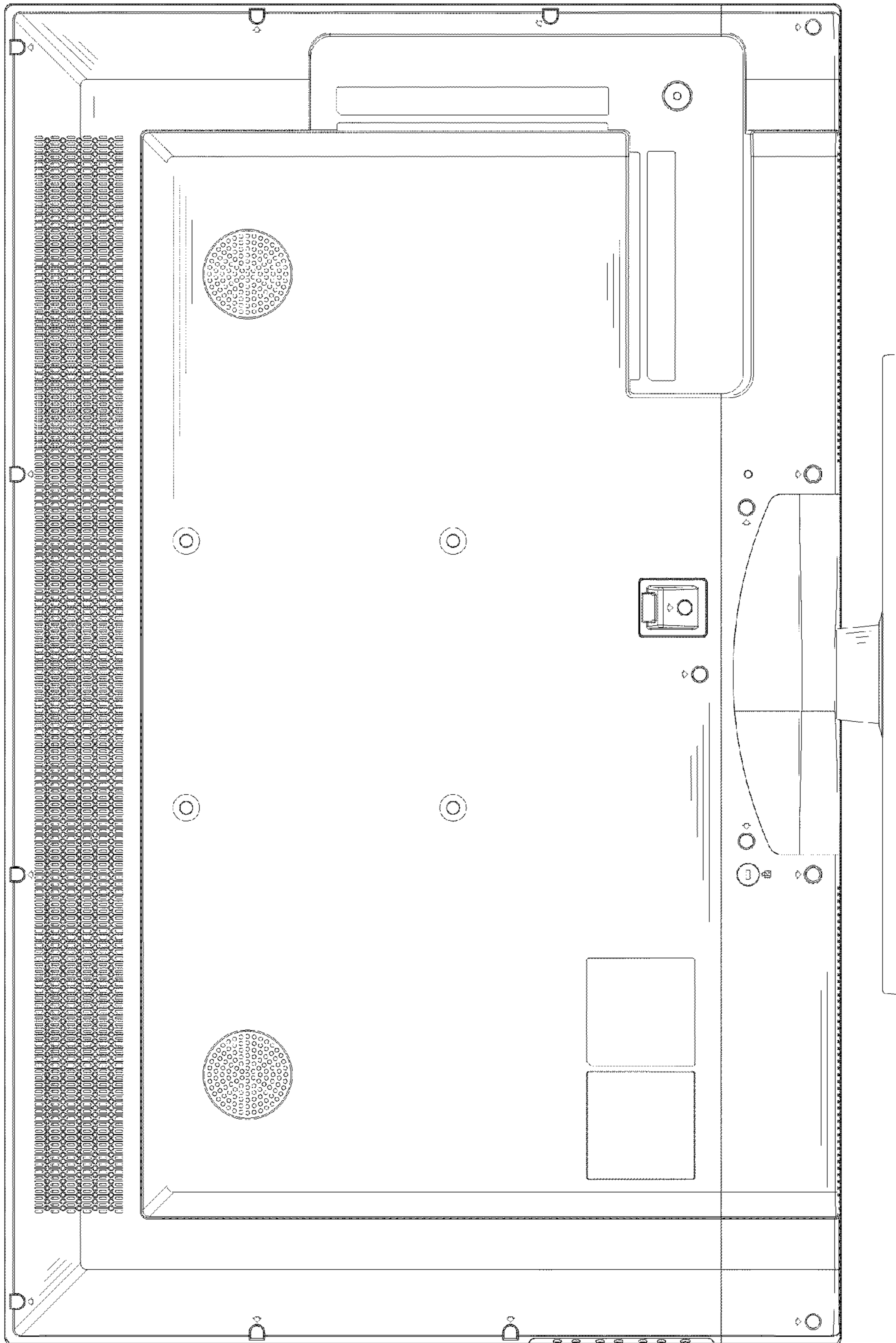


FIG. 3

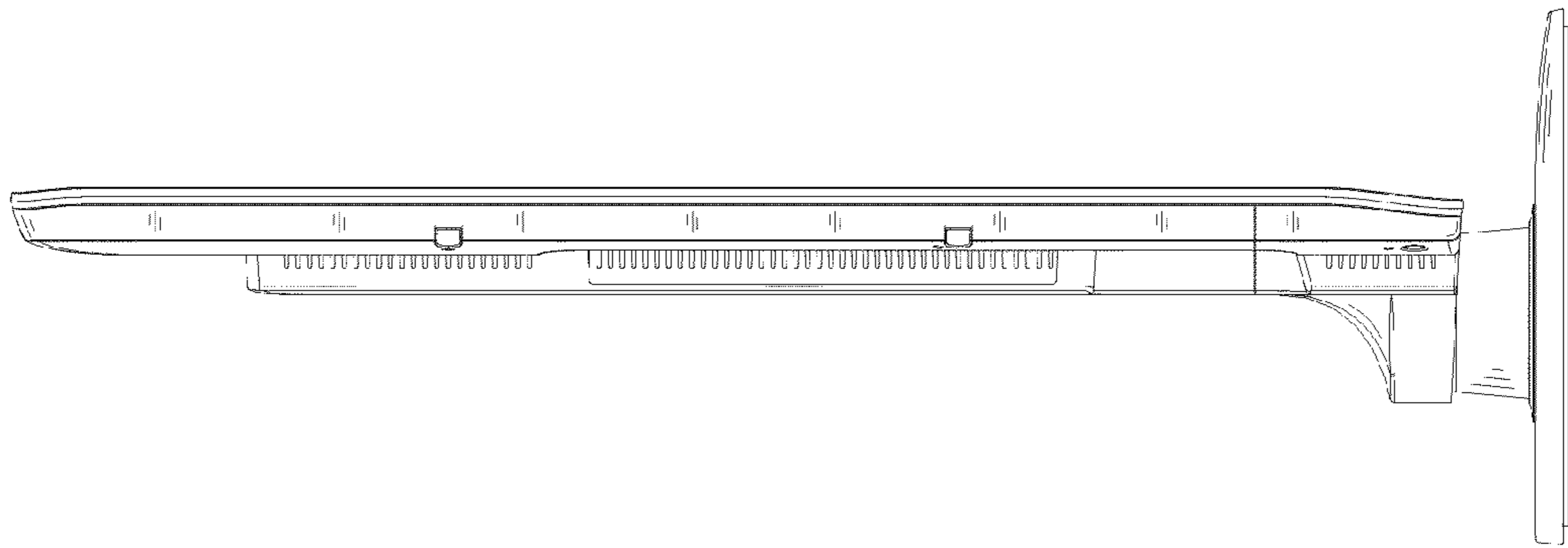


FIG. 4

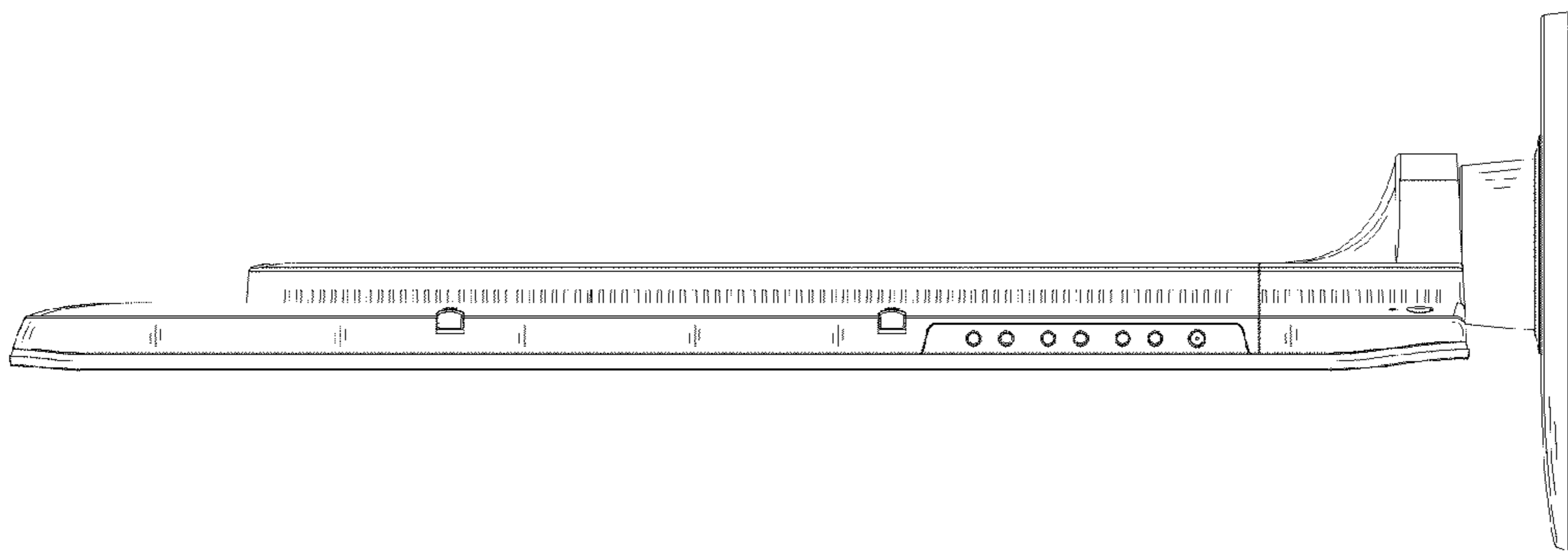


FIG. 5

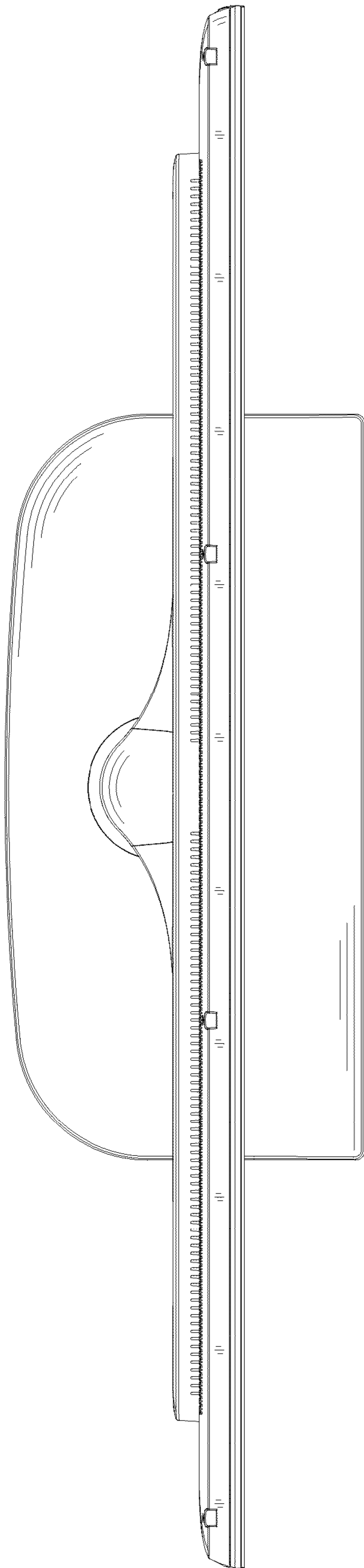


FIG. 6

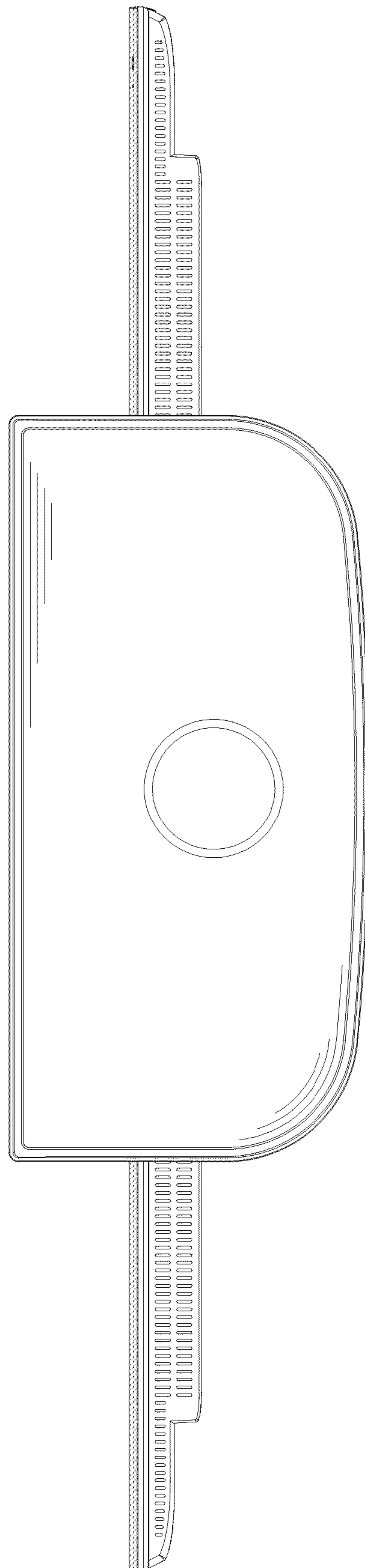


FIG. 7

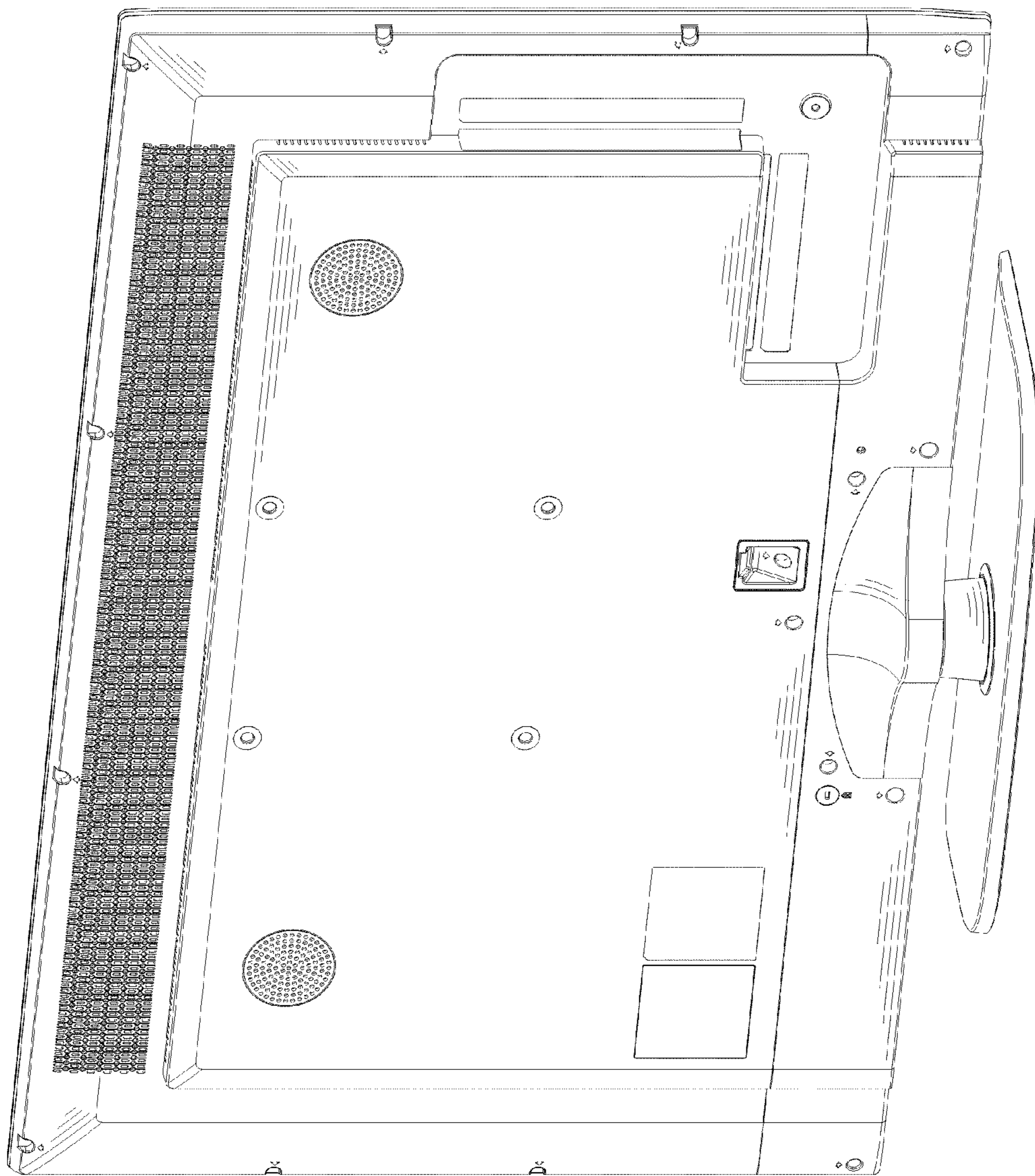


FIG. 8