



US00D644186S

(12) **United States Design Patent**
Qu et al.

(10) **Patent No.:** **US D644,186 S**

(45) **Date of Patent:** **** Aug. 30, 2011**

(54) **CONNECTOR CONTACT**

(75) Inventors: **Zhi-Cheng Qu**, Guang-Dong (CN);
Bing-Tao Yang, Guang-Dong (CN);
Yin-Lung Wu, Tu-Cheng (TW);
Ming-Chiang Chen, Tu-Cheng (TW)

(73) Assignee: **Cheng Uei Precision Industry Co., Ltd.**, Tu-Cheng, Taipei Hsien (TW)

(**) Term: **14 Years**

(21) Appl. No.: **29/382,072**

(22) Filed: **Dec. 28, 2010**

(51) **LOC (9) Cl.** **13-03**

(52) **U.S. Cl.** **D13/154**

(58) **Field of Classification Search** D13/103–106,
D13/118–121, 133, 147, 148, 154, 184, 199;
439/775–777, 816, 817, 824, 845, 849, 862,
439/867, 877, 884, 891, 902

See application file for complete search history.

(56) **References Cited**

U.S. PATENT DOCUMENTS

D567,181 S * 4/2008 Wu D13/133
D569,343 S * 5/2008 Hung et al. D13/133

D582,348 S * 12/2008 Shiu D13/154
D607,835 S * 1/2010 Huang D13/154
7,662,507 B2 * 2/2010 Schwendinger et al. 429/96
D616,375 S * 5/2010 Huang D13/154
D624,017 S * 9/2010 Liu et al. D13/120
D626,089 S * 10/2010 Luo et al. D13/154

* cited by examiner

Primary Examiner — Rosemary K Tarcza

(74) *Attorney, Agent, or Firm* — Cheng-Ju Chiang

(57) **CLAIM**

The ornamental design for a connector contact, as shown and described.

DESCRIPTION

FIG. 1 is a perspective view of a connector contact showing our new design;

FIG. 2 is a front elevational view thereof;

FIG. 3 is a rear elevational view thereof;

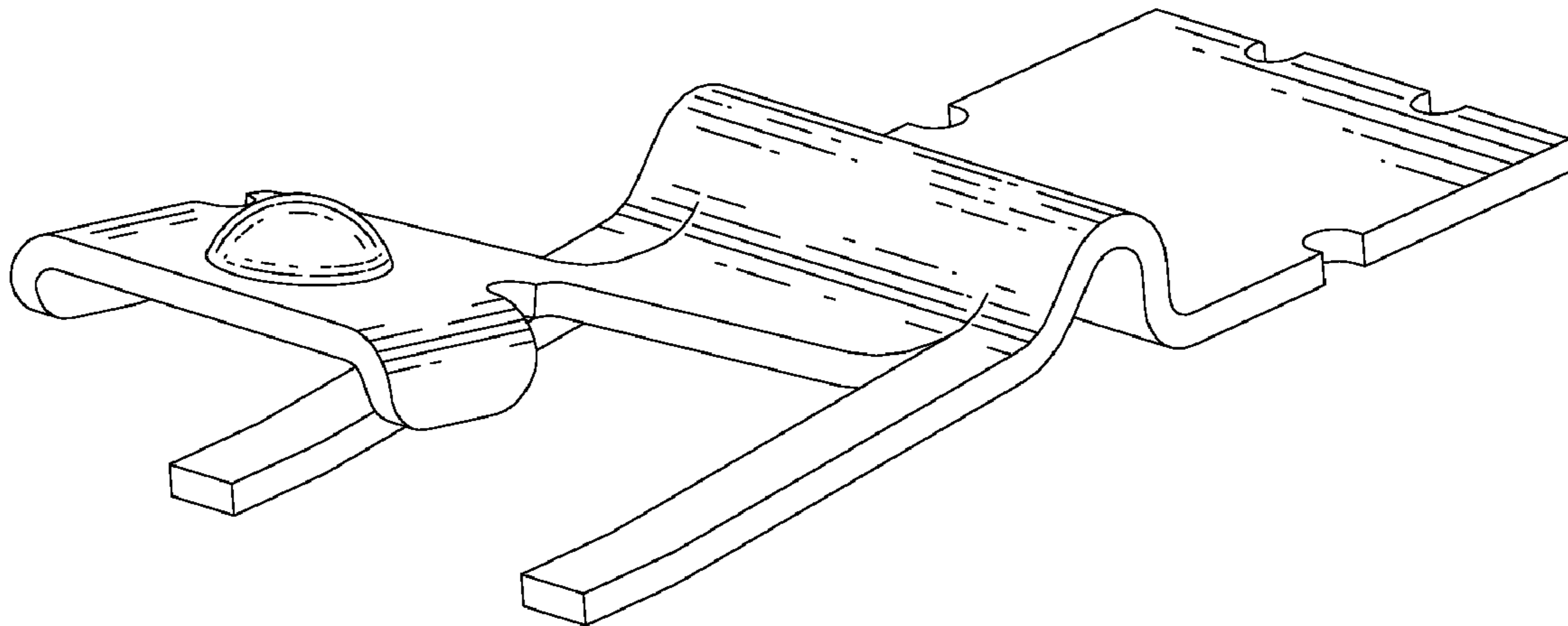
FIG. 4 is a left side elevational view thereof;

FIG. 5 is a right side elevational view thereof;

FIG. 6 is a top plan view thereof; and,

FIG. 7 is a bottom plan view thereof.

1 Claim, 7 Drawing Sheets



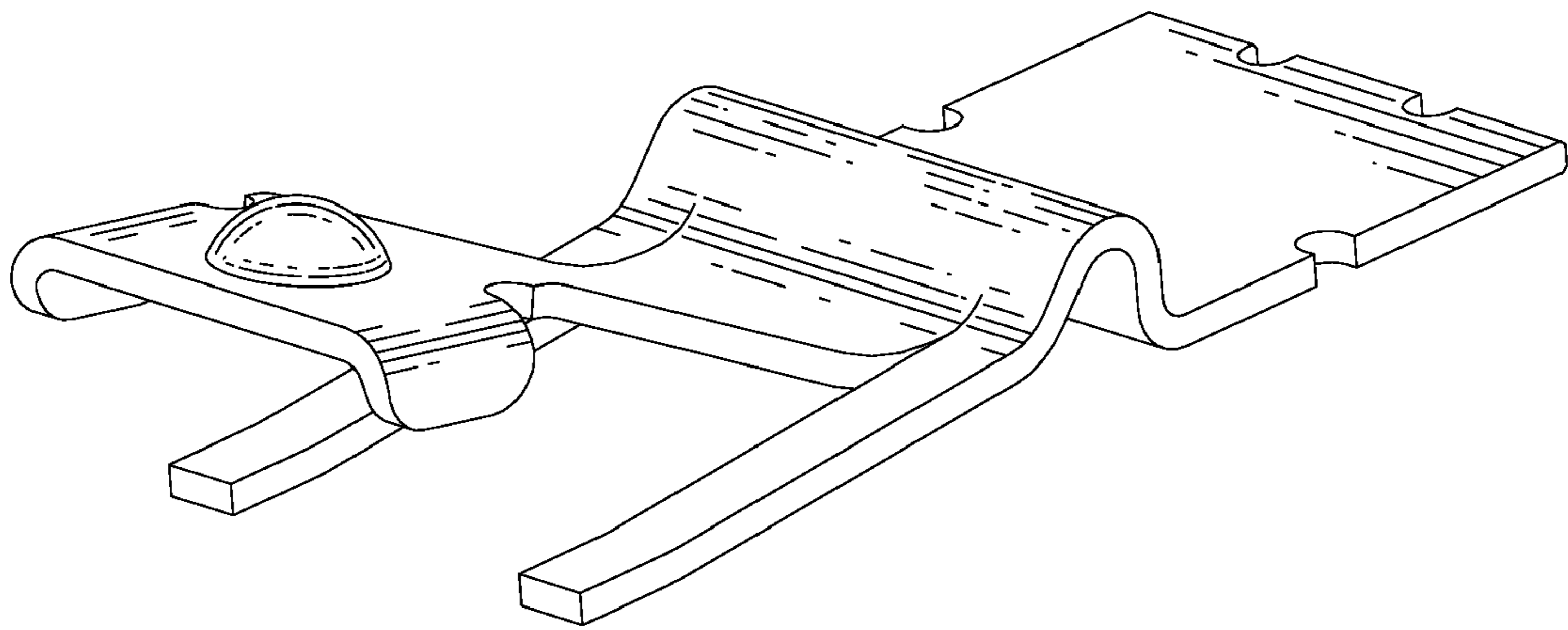


FIG. 1

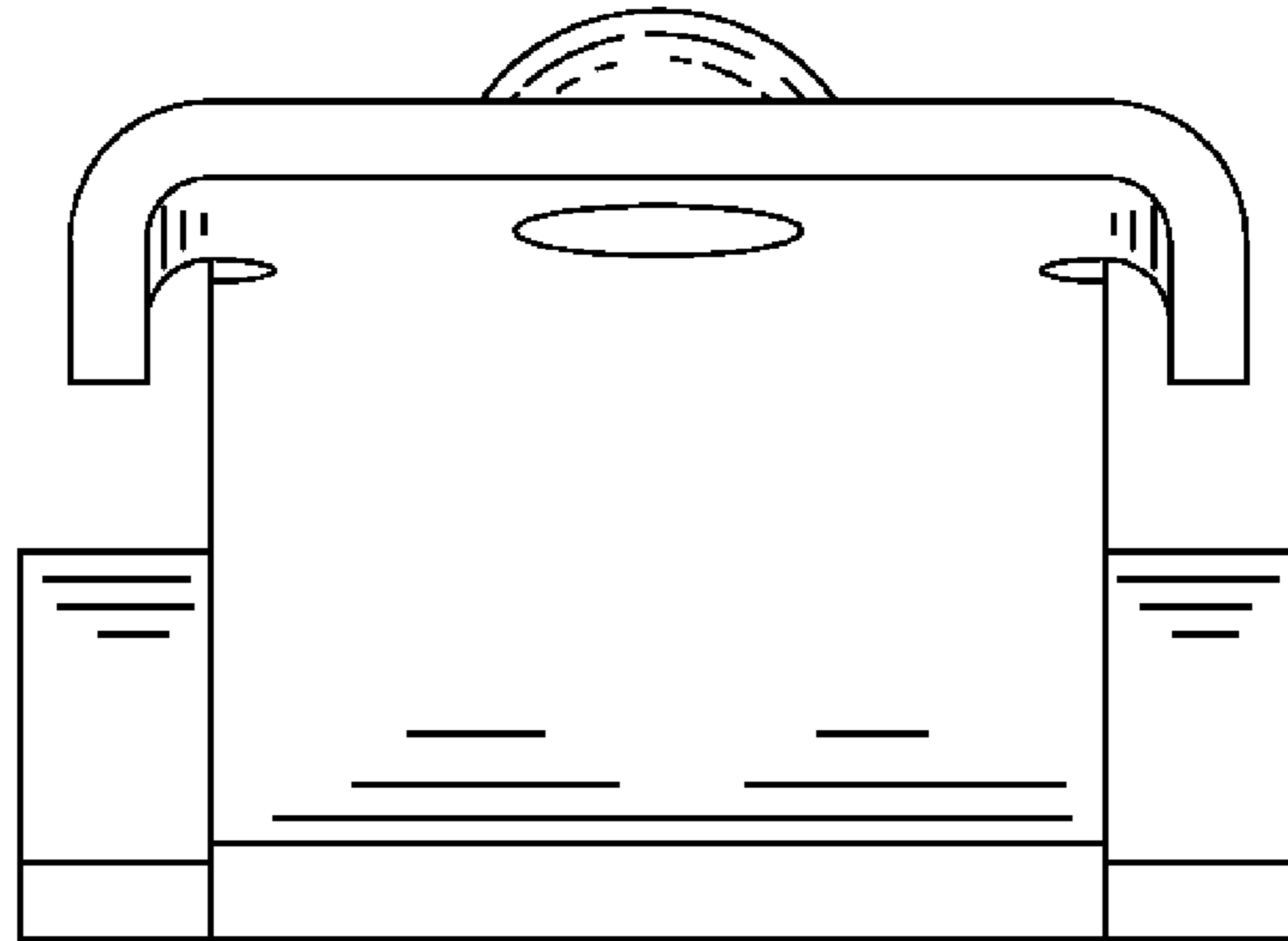


FIG. 2

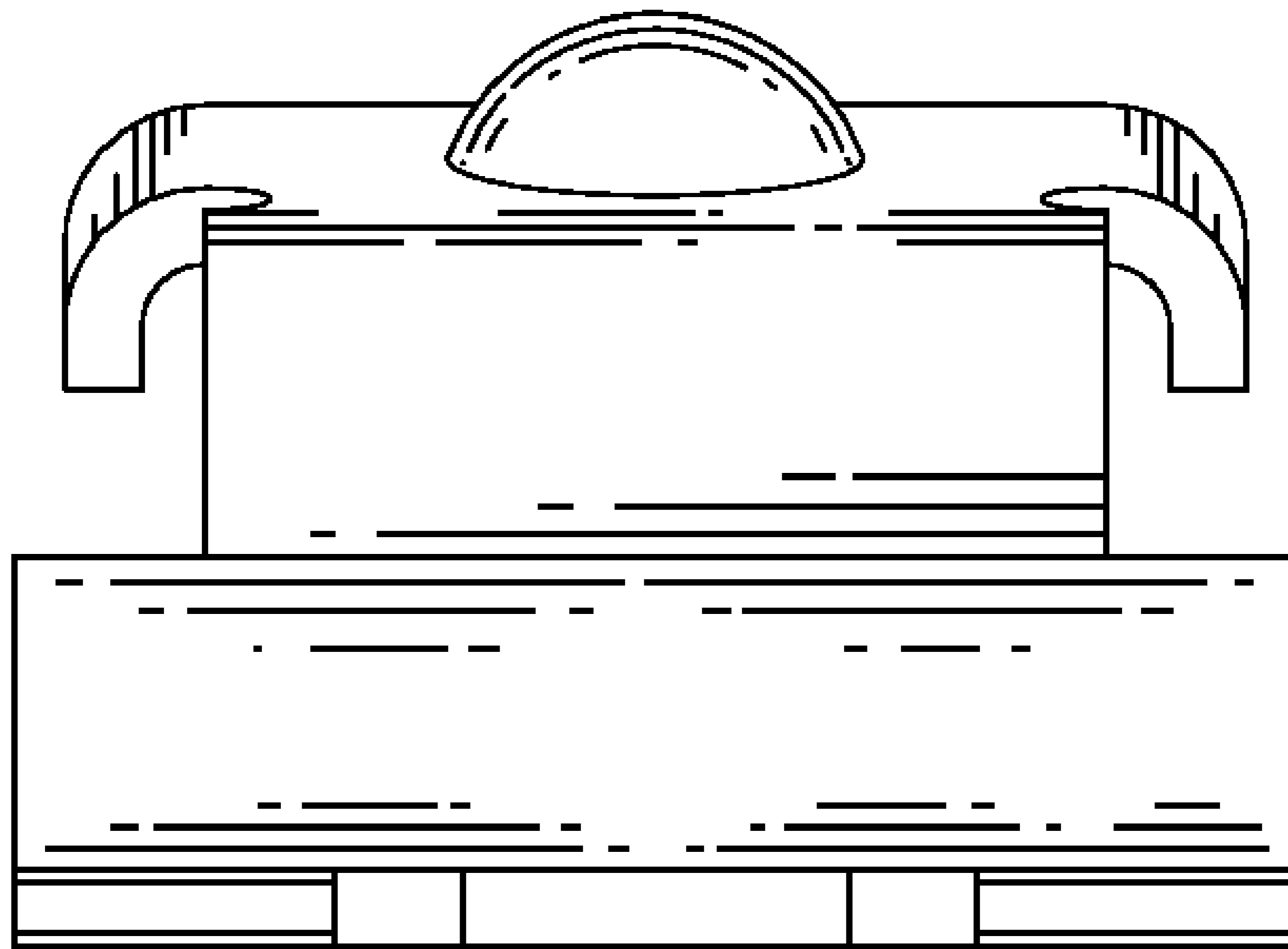


FIG. 3

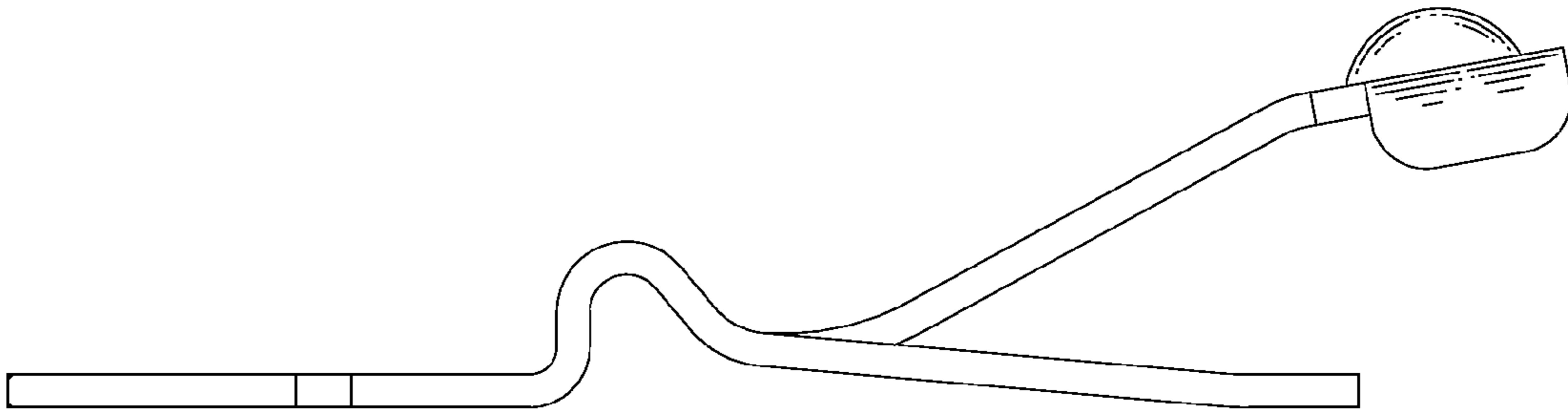


FIG. 4

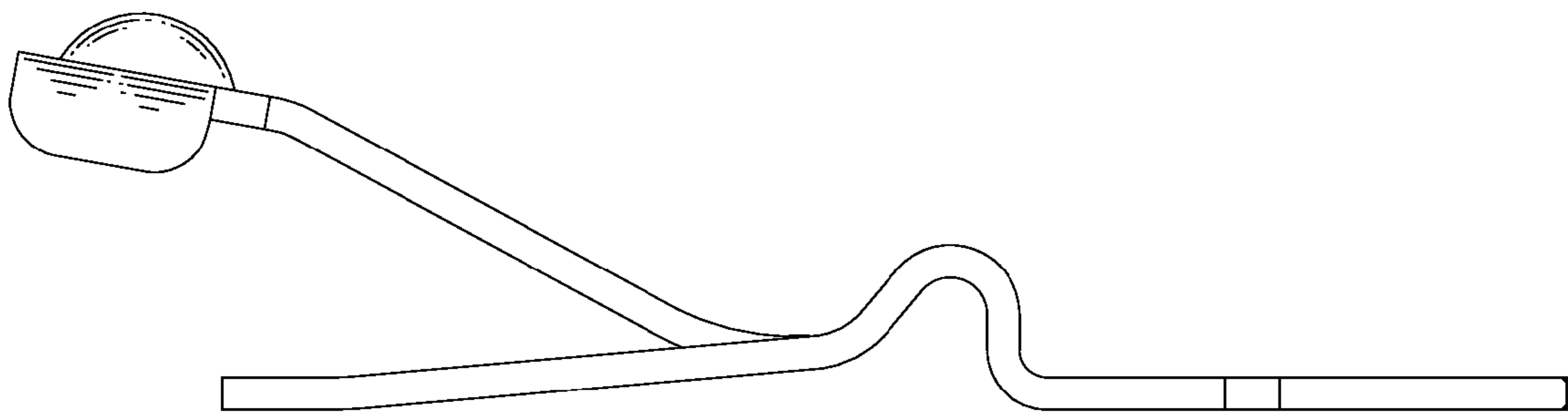


FIG. 5

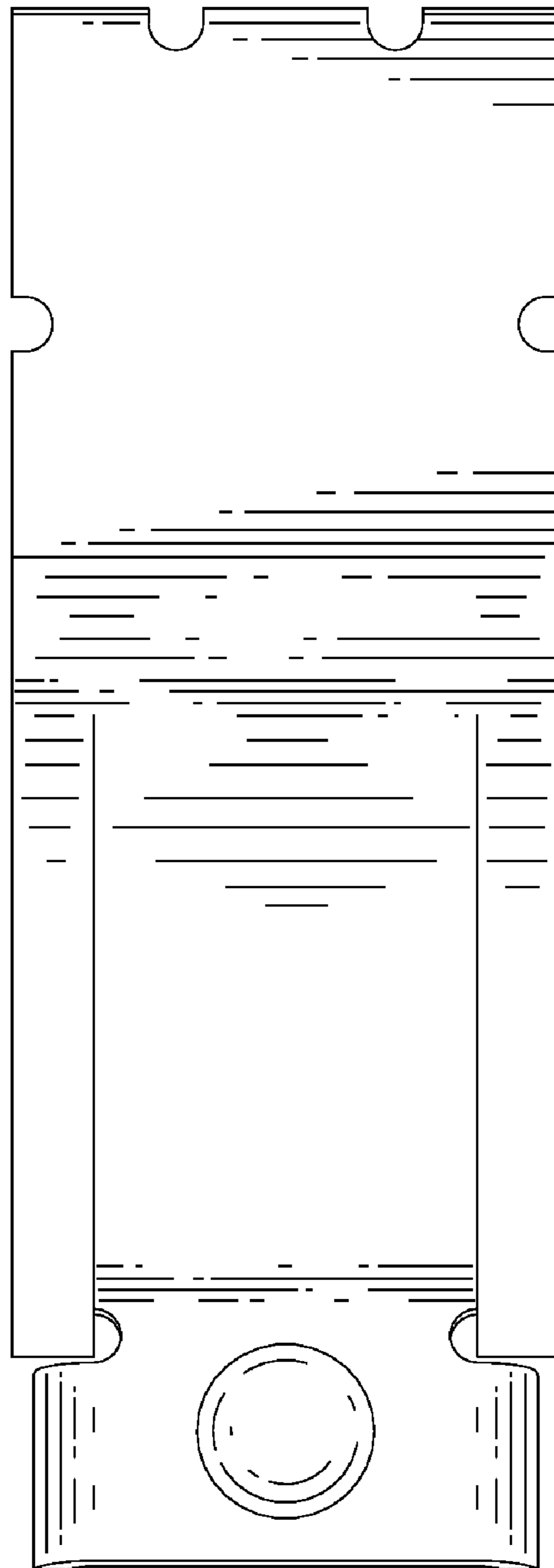


FIG. 6

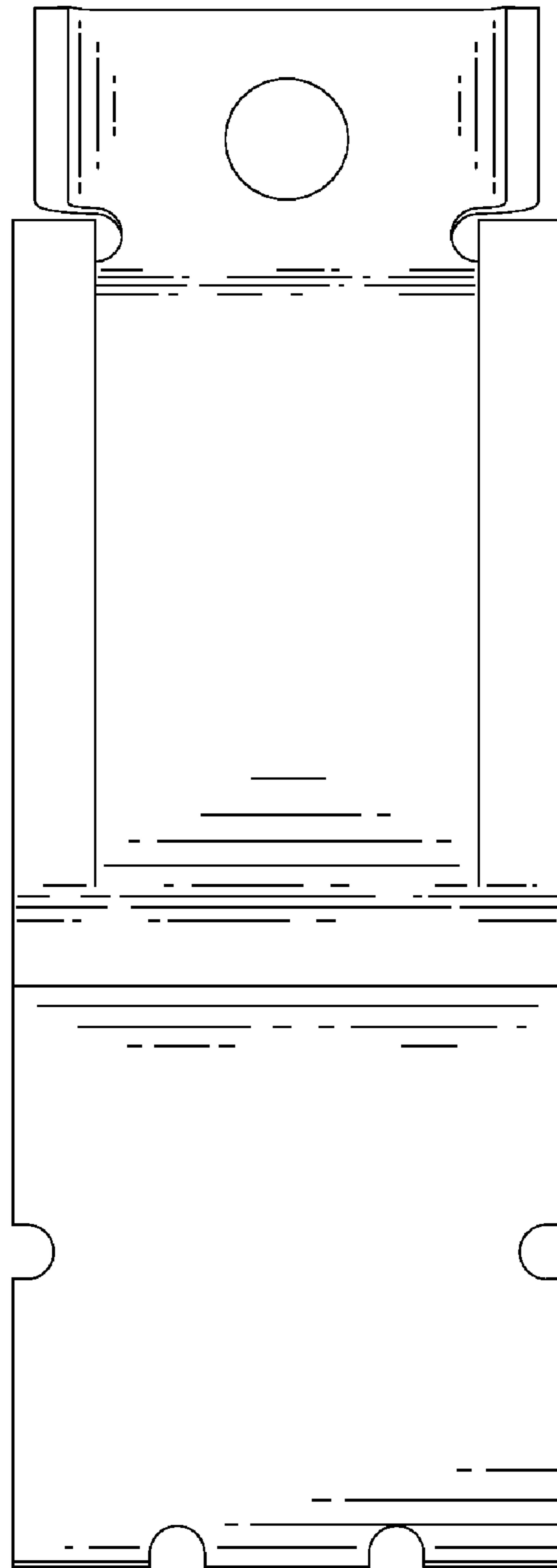


FIG. 7