



US00D644185S

(12) **United States Design Patent**  
**Hargreaves**

(10) **Patent No.:** **US D644,185 S**

(45) **Date of Patent:** **\*\* Aug. 30, 2011**

(54) **CRAFTED JUNCTION BOX**

(75) Inventor: **Craig Hargreaves**, Vancouver, WA (US)

(73) Assignee: **IP Holdings LLC**, Vancouver, WA (US)

(\*\*) Term: **14 Years**

(21) Appl. No.: **29/370,841**

(22) Filed: **Sep. 13, 2010**

(51) **LOC (9) Cl.** ..... **13-03**

(52) **U.S. Cl.** ..... **D13/152**

(58) **Field of Classification Search** ..... D13/139.4,  
D13/152, 154, 156, 158, 160, 162-164, 173,  
D13/184, 199; 174/50, 53-55, 58, 60, 66,  
174/67; 220/3.2, 3.3, 3.7-3.9, 241, 242,  
220/244, 315; 439/135, 136, 138, 142, 367,  
439/373, 535, 536, 537, 541, 892, 893  
See application file for complete search history.

(56) **References Cited**

**U.S. PATENT DOCUMENTS**

D159,182 S *	7/1950	Beck	.....	D13/162
D240,015 S	5/1976	Buckley		
D313,338 S	1/1991	Rasmussen		
D354,736 S *	1/1995	Hallett et al.	.....	D13/156
D360,571 S	7/1995	Perry		
D379,797 S *	6/1997	Arnett	.....	D13/156
D400,861 S *	11/1998	Nakamura	.....	D13/156
D418,114 S *	12/1999	Hayduke et al.	.....	D13/156
D452,487 S *	12/2001	Kaplan	.....	D13/184

D469,410 S *	1/2003	Lyon	.....	D13/156
D533,140 S *	12/2006	Motard et al.	.....	D13/156
D534,500 S *	1/2007	Yamada	.....	D13/158
D542,738 S *	5/2007	Pollard	.....	D13/165
D583,092 S	12/2008	Hargreaves		
D613,900 S	4/2010	Hargreaves		
D619,101 S *	7/2010	Motard et al.	.....	D13/156

\* cited by examiner

*Primary Examiner* — Rosemary K Tarca

(74) *Attorney, Agent, or Firm* — Robert J. Ireland

(57) **CLAIM**

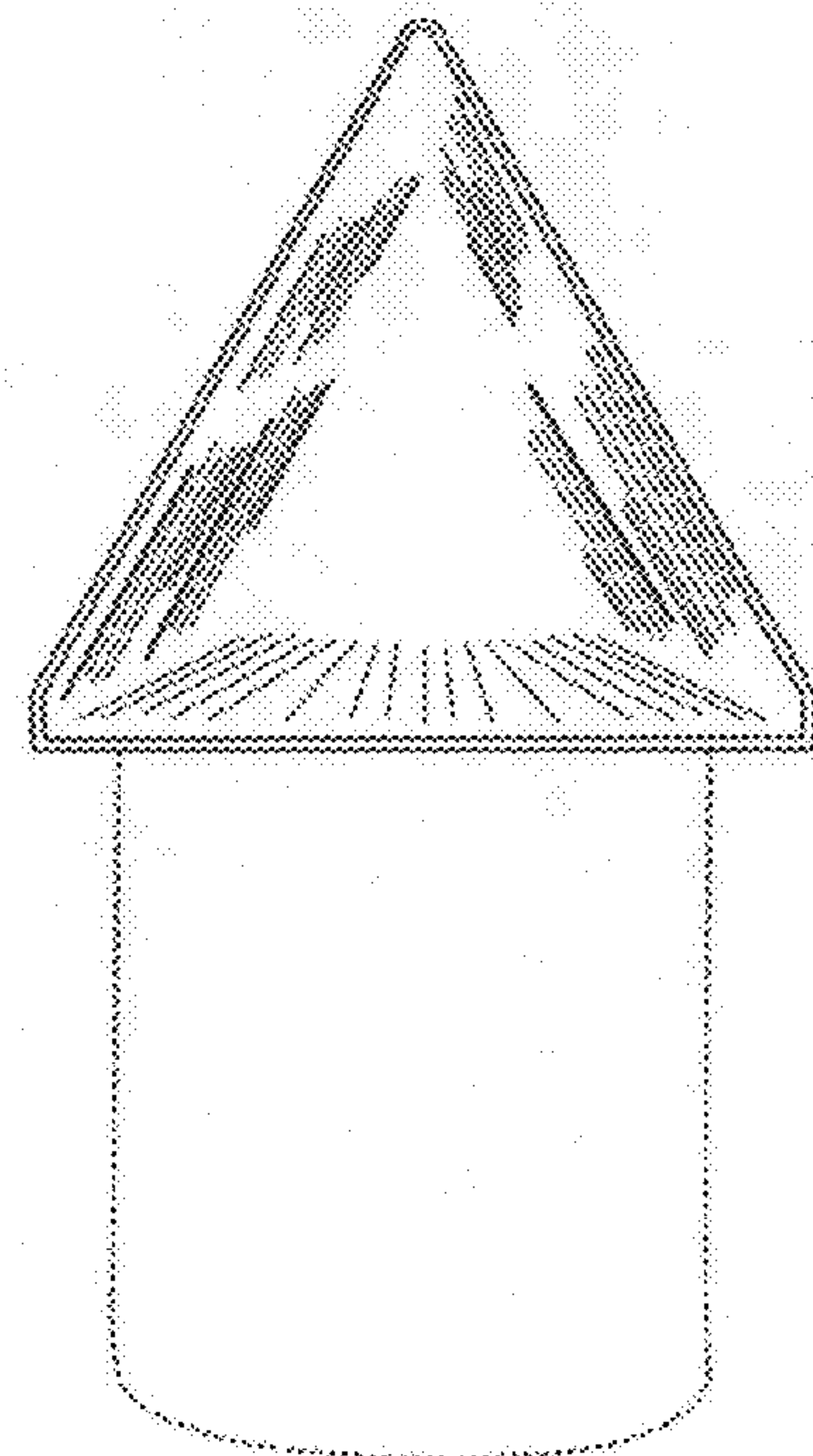
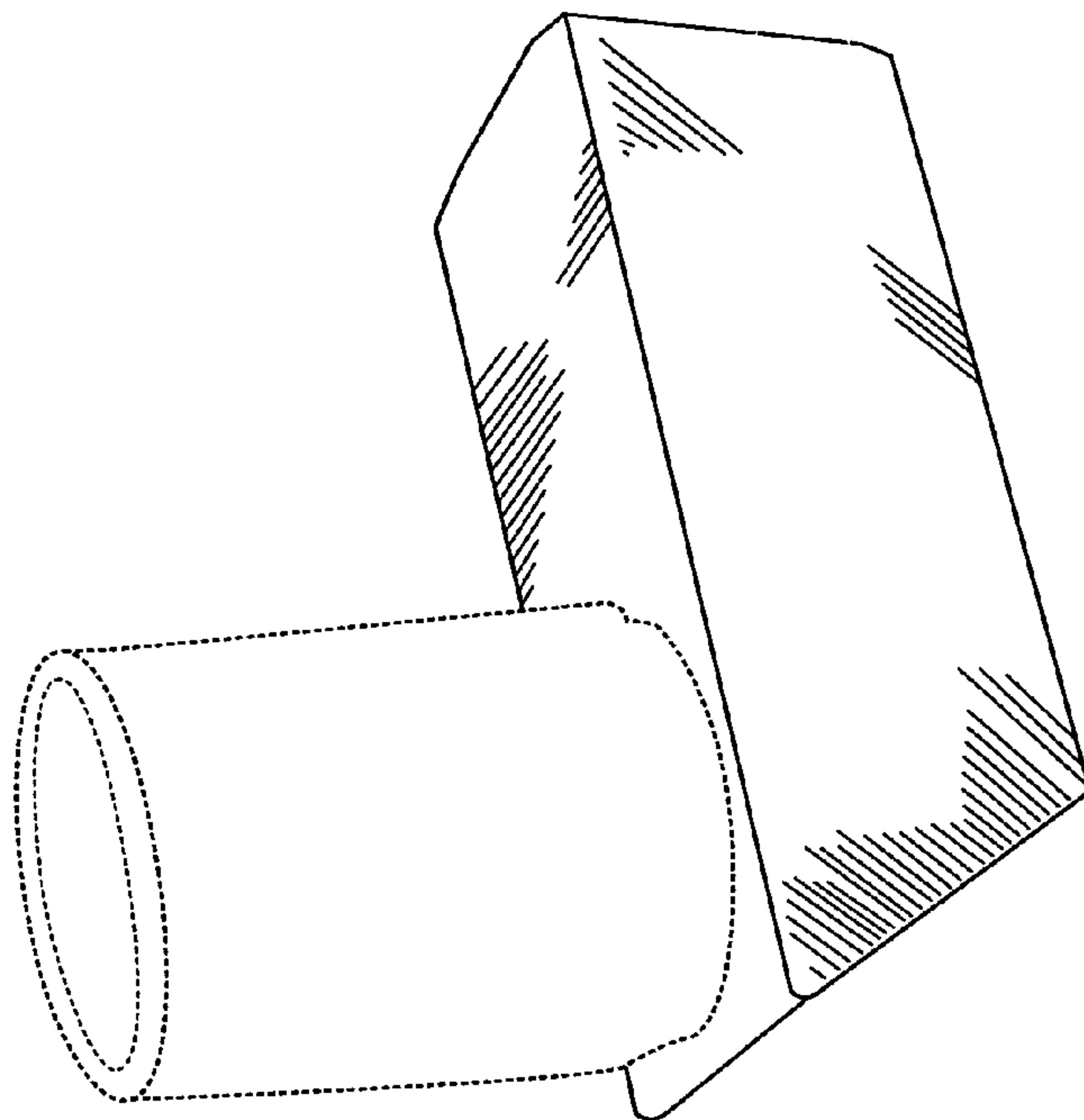
The ornamental design for a crafted junction box, as shown and described.

**DESCRIPTION**

FIG. 1 is a right perspective side view;  
FIG. 2 is a front view;  
FIG. 3 is a back view;  
FIG. 4 is a left view including the broken line depiction of where the socket would attach in relation to the assembly;  
FIG. 5 is a right view including the broken line depiction of where the socket would attach in relation to the assembly;  
FIG. 6 is a top view; and,  
FIG. 7 is a bottom view.

The broken lines shown in the drawings are included for the purpose of illustrating the socket portion of the crafted junction box and form no part of the claimed design.

**1 Claim, 7 Drawing Sheets**



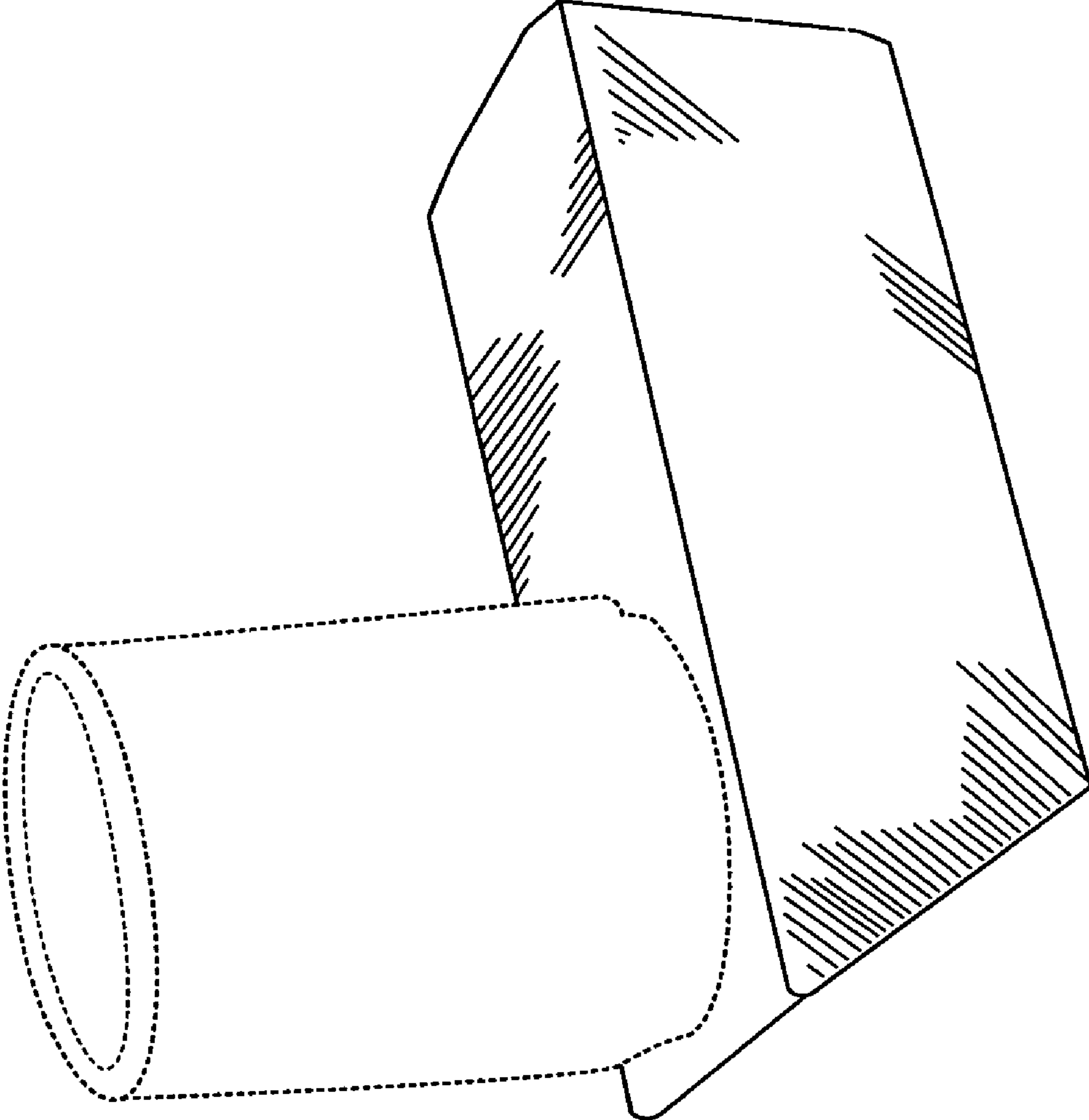


FIG. 1

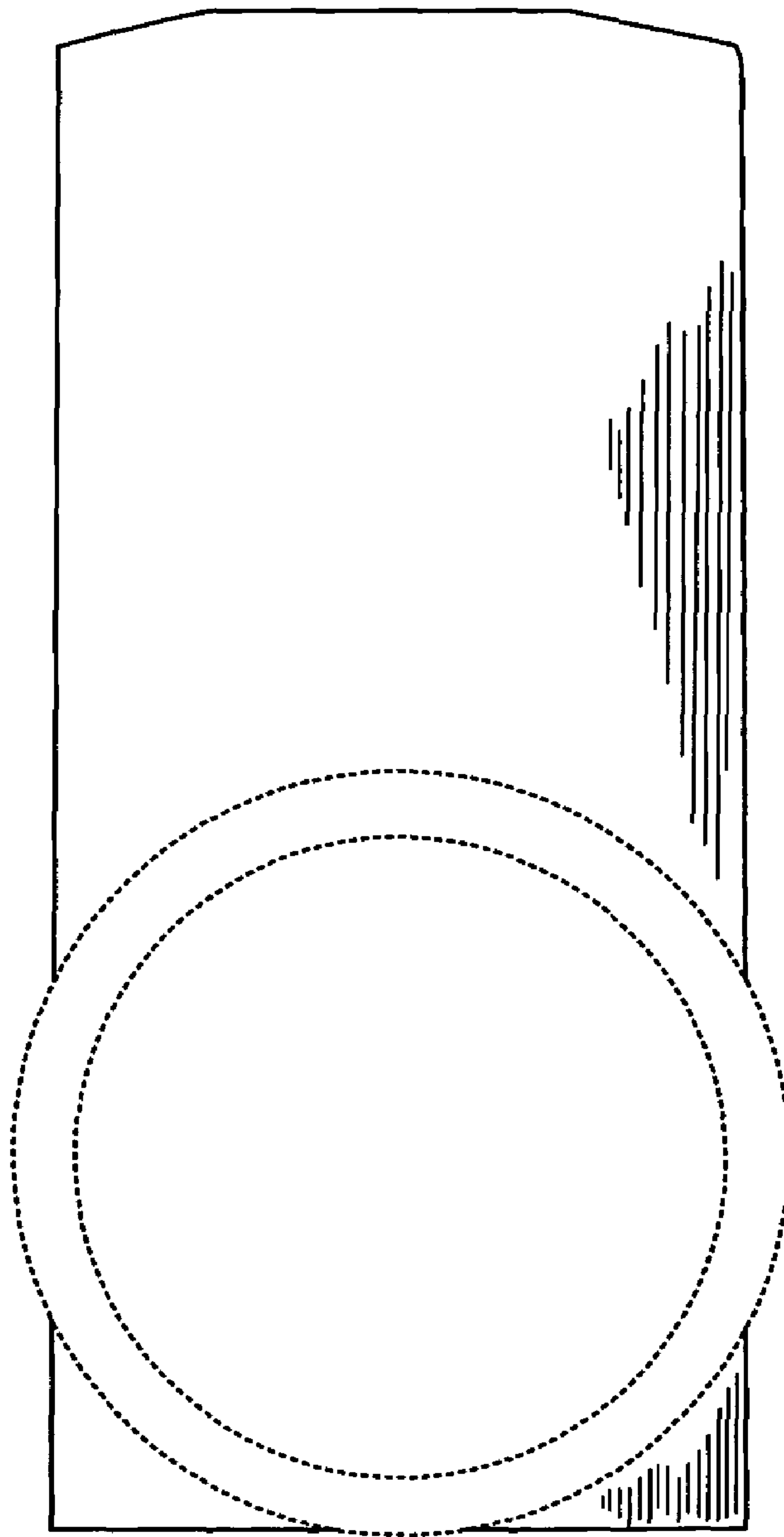


FIG. 2

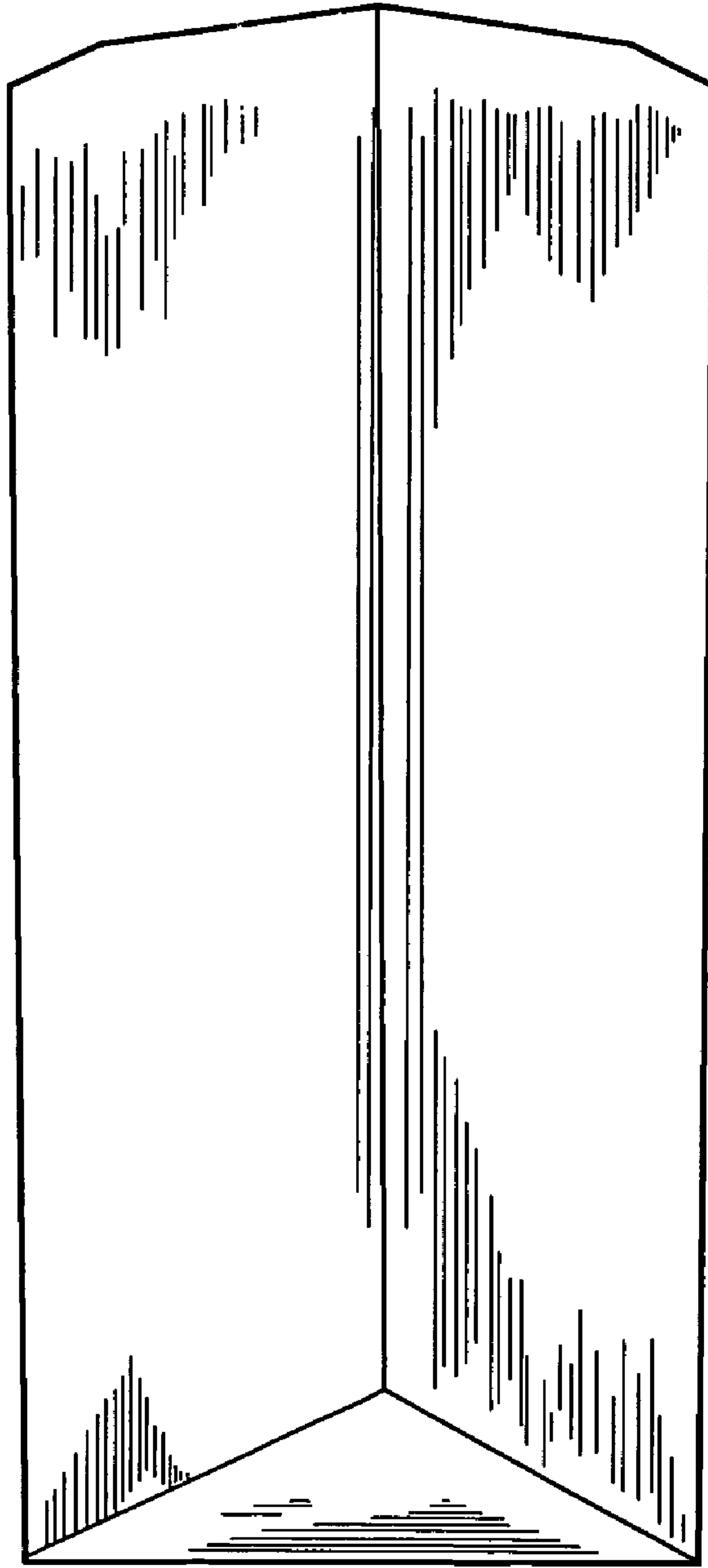


FIG. 3

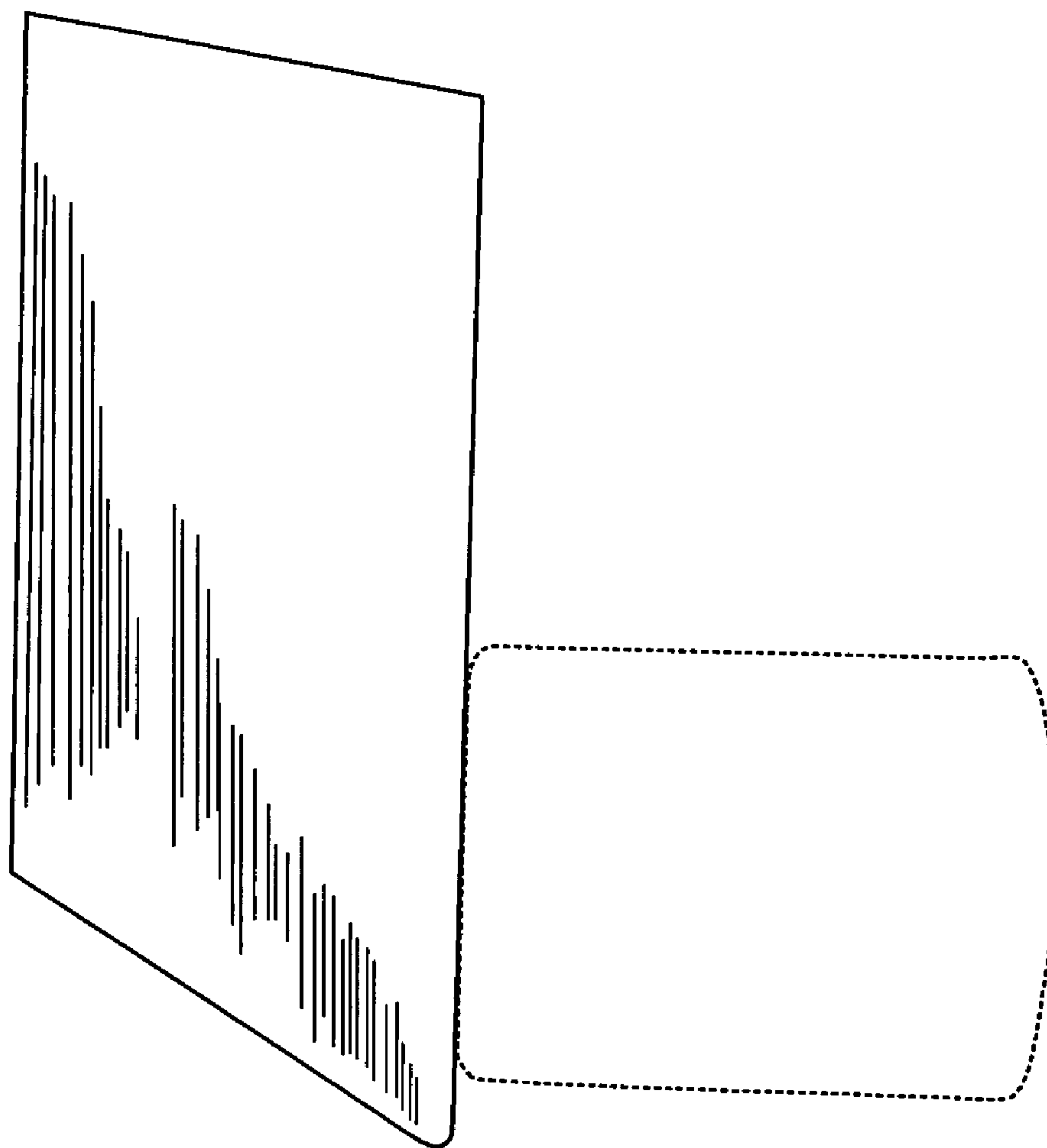


FIG. 4

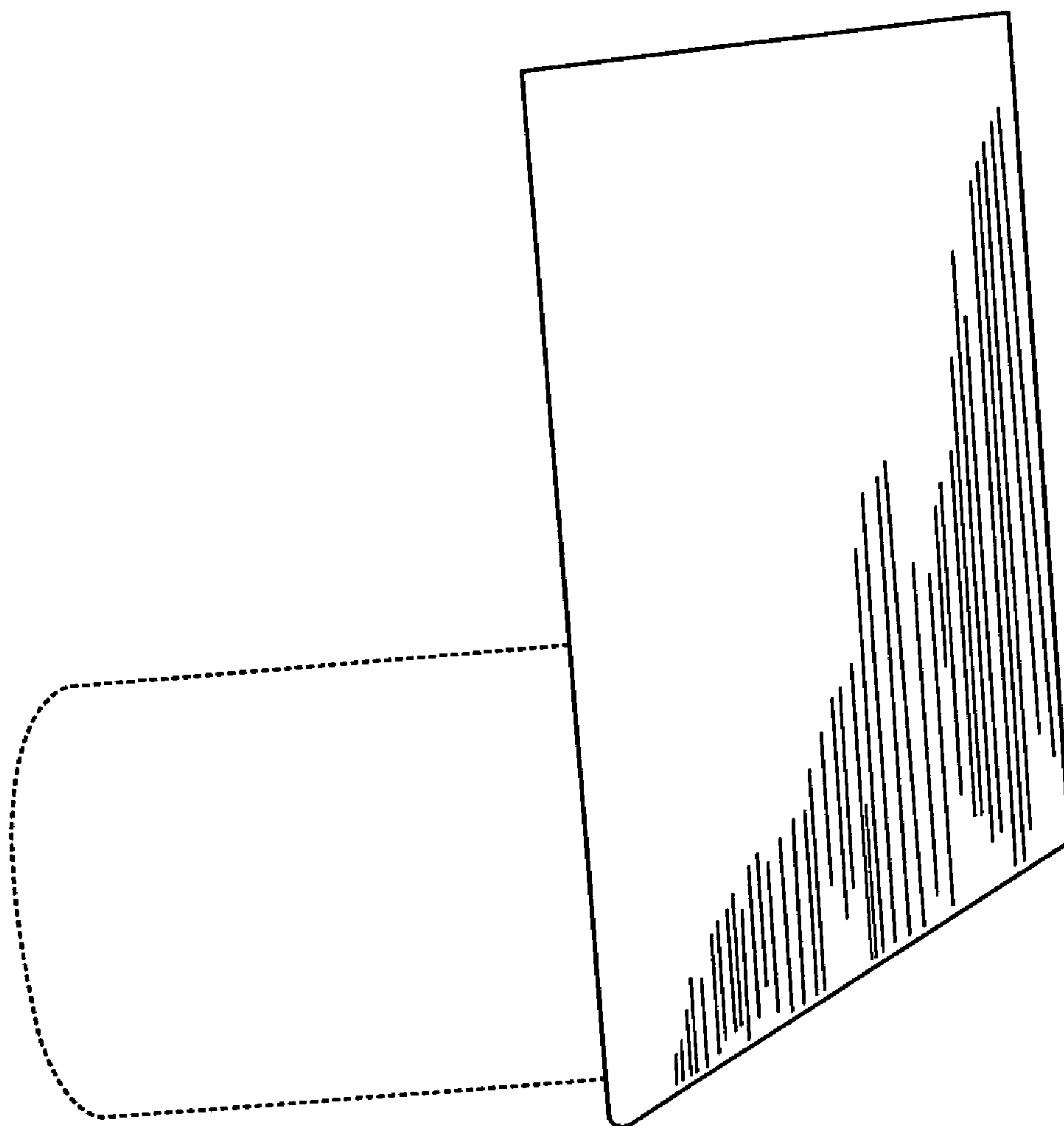


FIG. 5



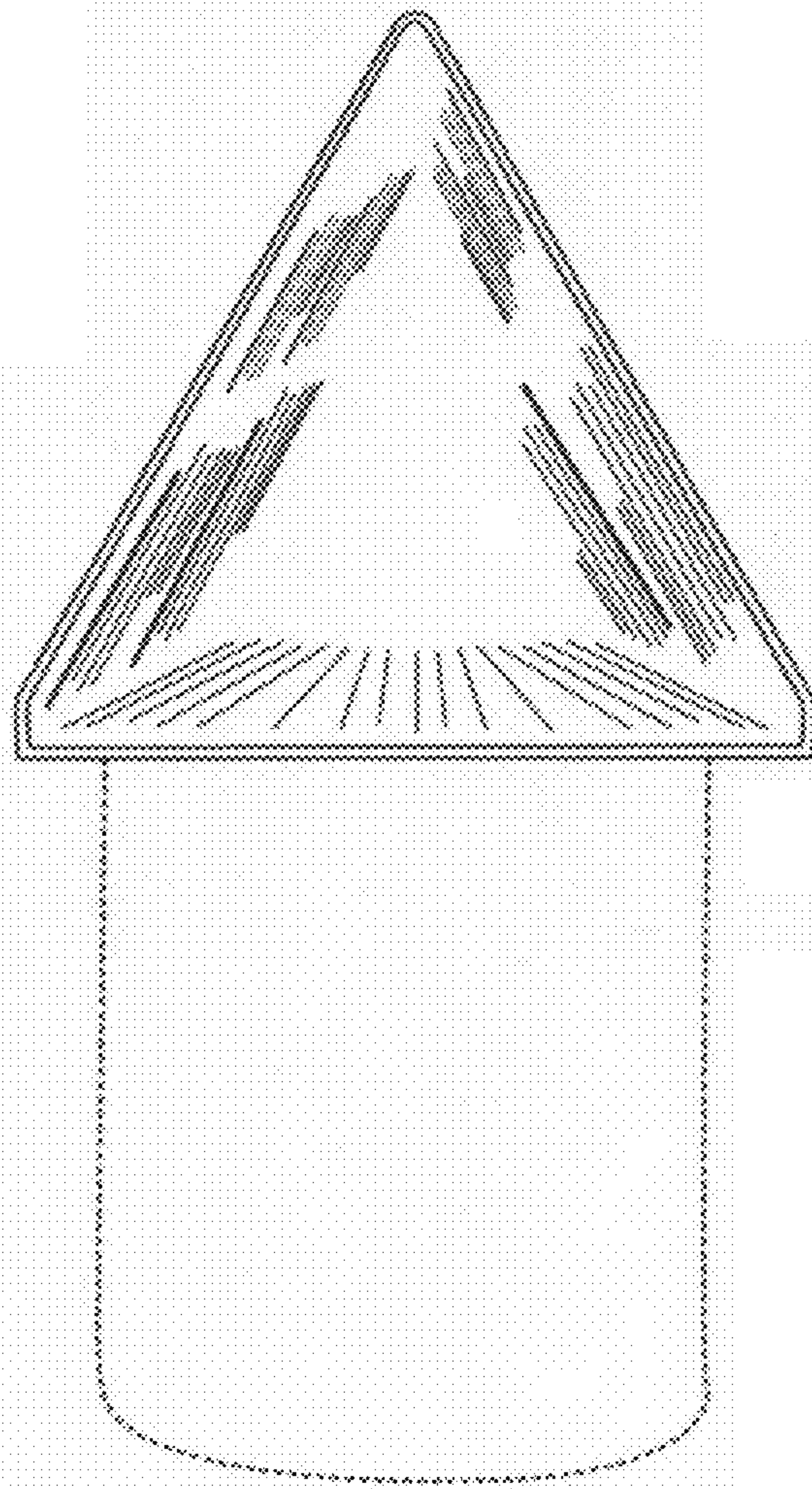


FIG. 6

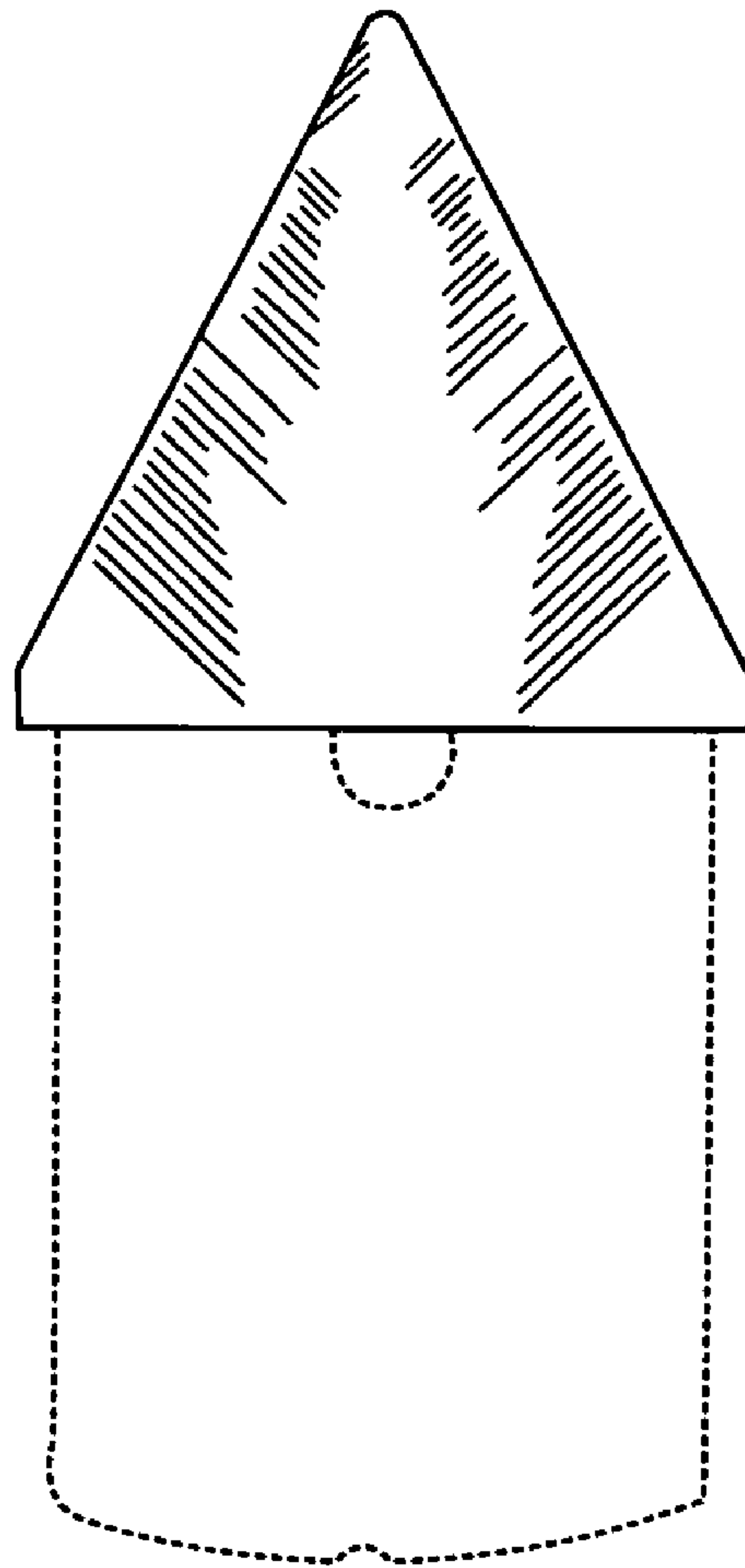


FIG. 7