



US00D644184S

(12) **United States Design Patent**
Gilibert

(10) **Patent No.:** **US D644,184 S**

(45) **Date of Patent:** **** Aug. 30, 2011**

(54) **TOOL CONNECTOR**

(75) Inventor: **Arnaud G. Gilibert**, Nantes (FR)

(73) Assignee: **Etablissements Georges Renault**, Saint Herblain (FR)

(**) Term: **14 Years**

(21) Appl. No.: **29/382,906**

(22) Filed: **Jan. 10, 2011**

(51) **LOC (9) Cl.** **13-03**

(52) **U.S. Cl.** **D13/147**

(58) **Field of Classification Search** D13/133,
D13/146-147, 154, 156, 184; 439/180, 246,
439/252, 278, 314-315, 372, 374, 378, 379,
439/380, 381, 527, 533, 892, 894

See application file for complete search history.

(56) **References Cited**

U.S. PATENT DOCUMENTS

D161,900 S * 2/1951 Burtt et al. D13/146
D511,747 S * 11/2005 Rey et al. D13/147
D527,346 S * 8/2006 Brodin D13/146
D559,785 S * 1/2008 Tosetti D13/147

D585,837 S * 2/2009 Kuehne et al. D13/154
7,874,860 B2 * 1/2011 Starke et al. 439/320
2008/0194137 A1 * 8/2008 Kuo 439/489

* cited by examiner

Primary Examiner — Daniel Bui

(74) *Attorney, Agent, or Firm* — Workman Nydegger

(57) **CLAIM**

The ornamental design for a tool connector, as shown and described.

DESCRIPTION

FIG. 1 is a top perspective view of a tool connector showing my new design;

FIG. 2 is a bottom perspective view thereof;

FIG. 3 is a front elevational view thereof, on an enlarged scale;

FIG. 4 is a top perspective view of the front face thereof;

FIG. 5 is a bottom perspective view of the front face thereof;

FIG. 6 is a left side elevational view thereof;

FIG. 7 is a top plan view thereof;

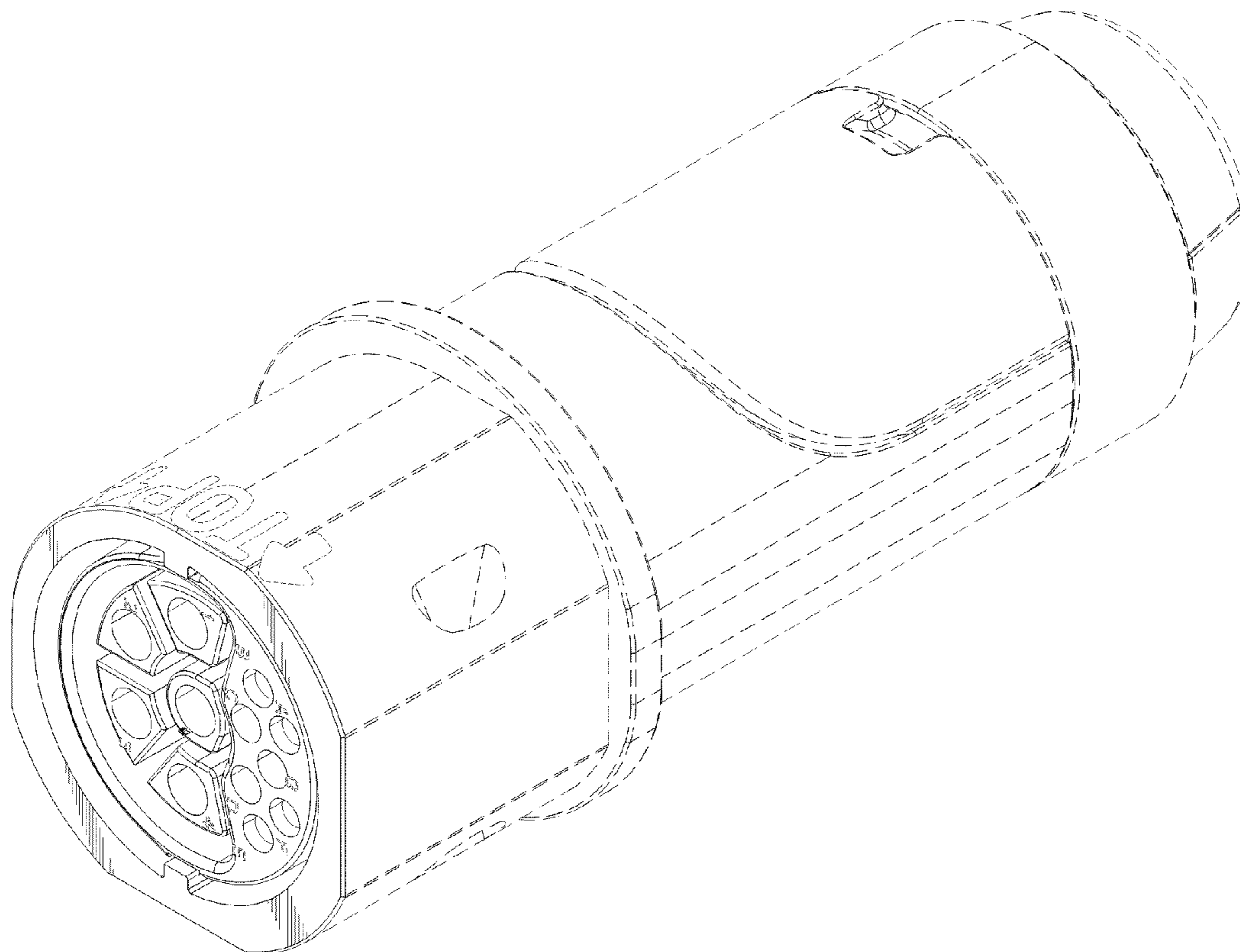
FIG. 8 is a right side elevational view thereof;

FIG. 9 is a bottom plan view thereof; and,

FIG. 10 is a rear elevational view thereof.

The broken line portion of the figure drawings is included for the purpose of illustrating environment and forms no part of the claimed design.

1 Claim, 6 Drawing Sheets



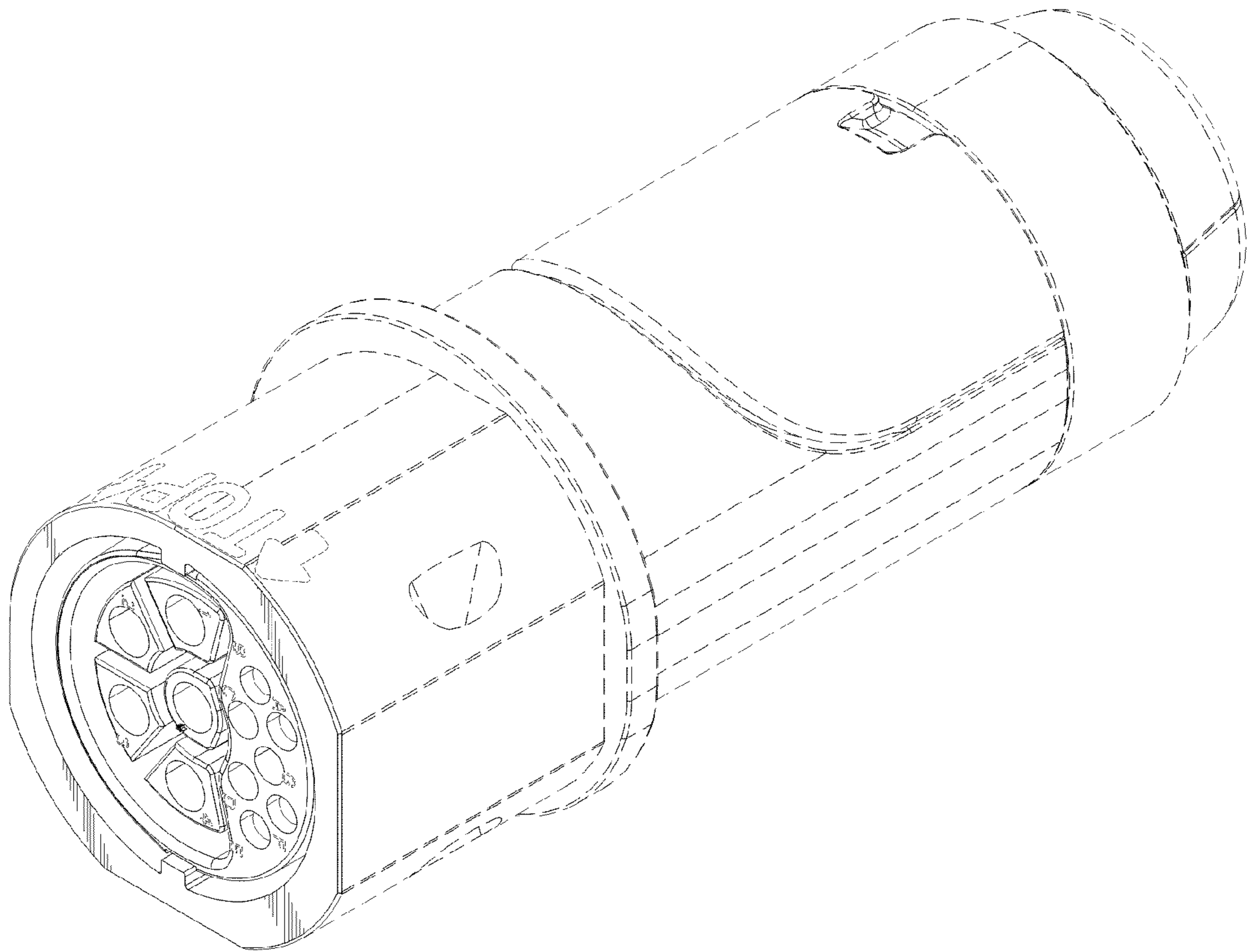


Fig. 1

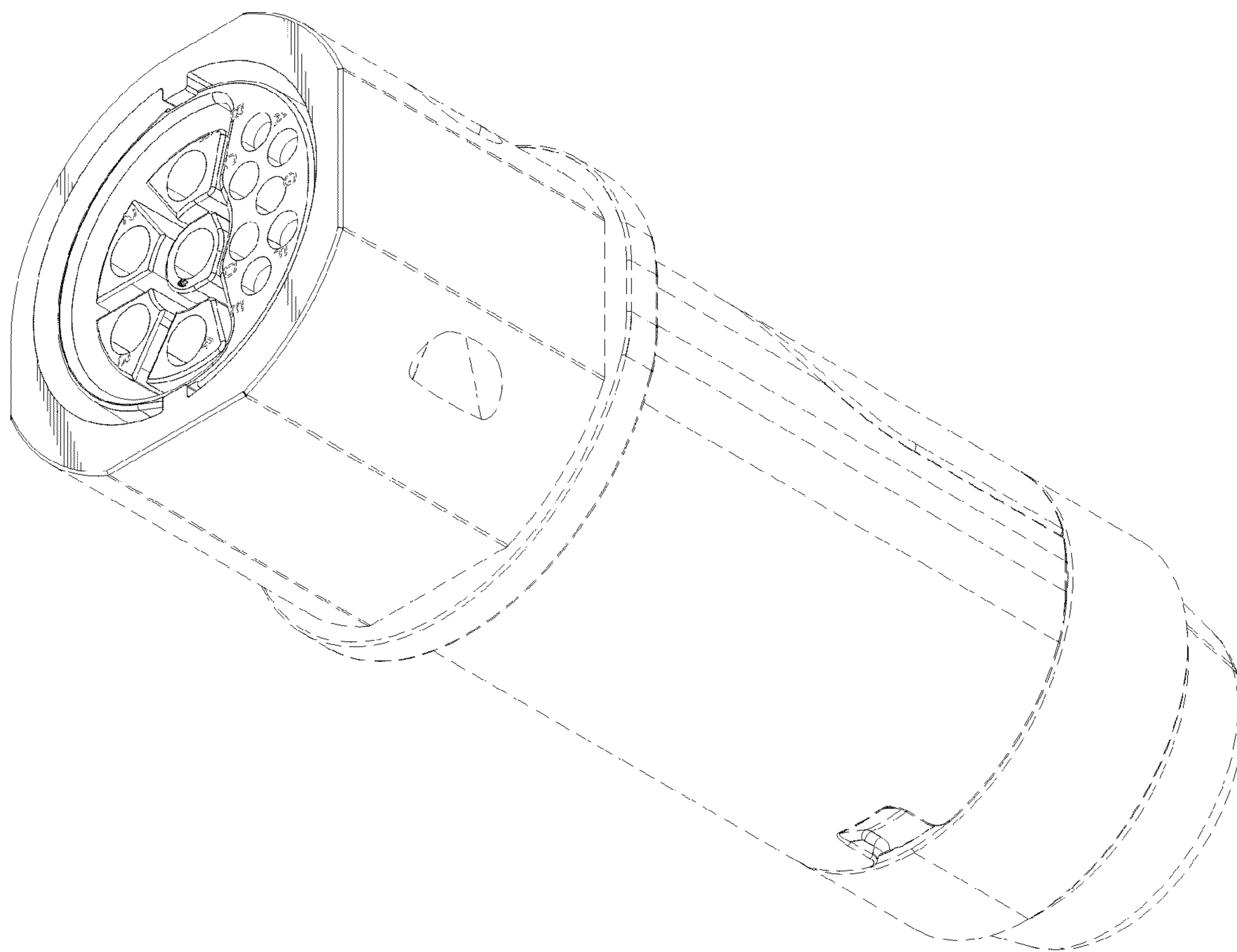


Fig. 2

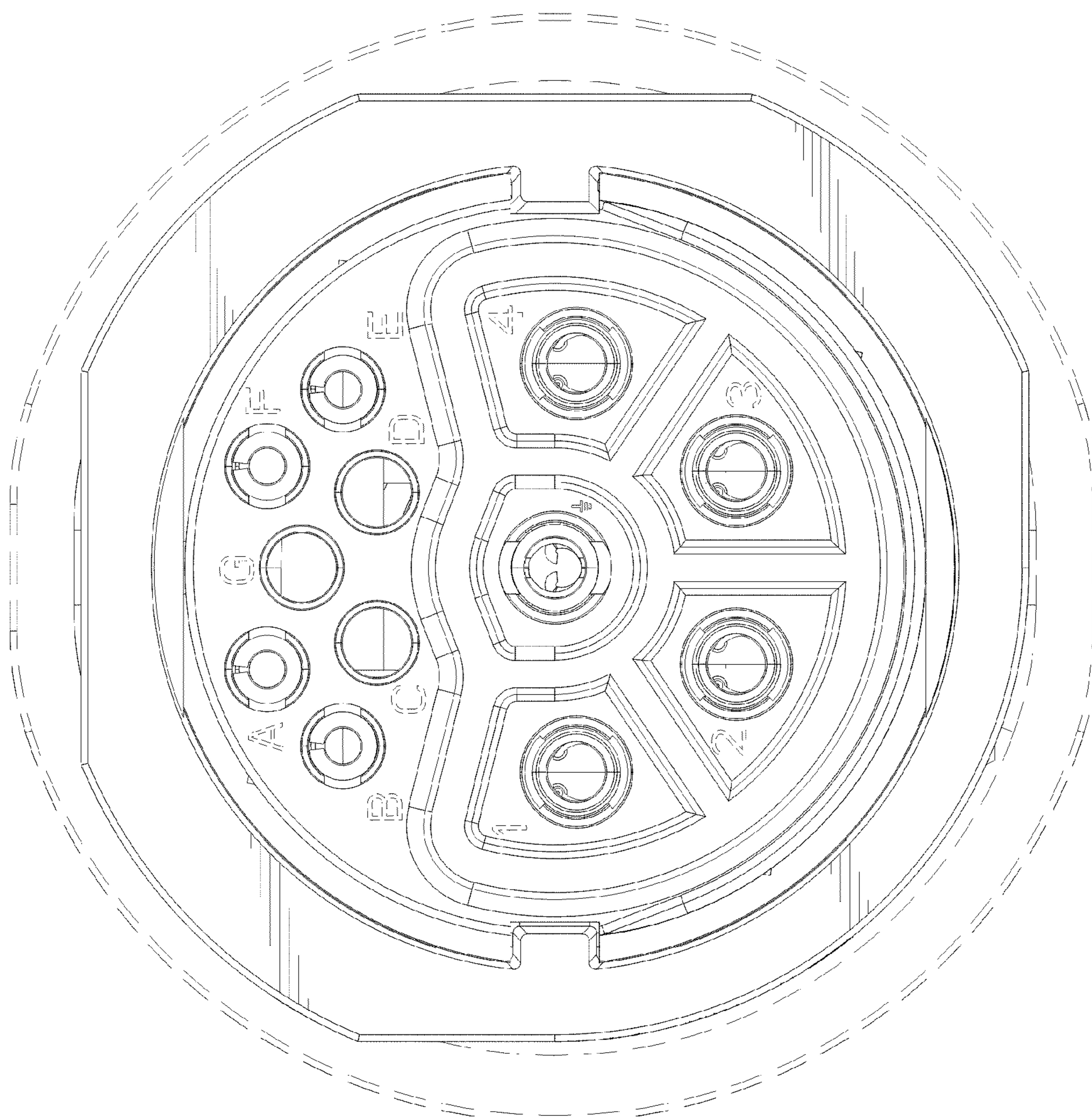


Fig. 3

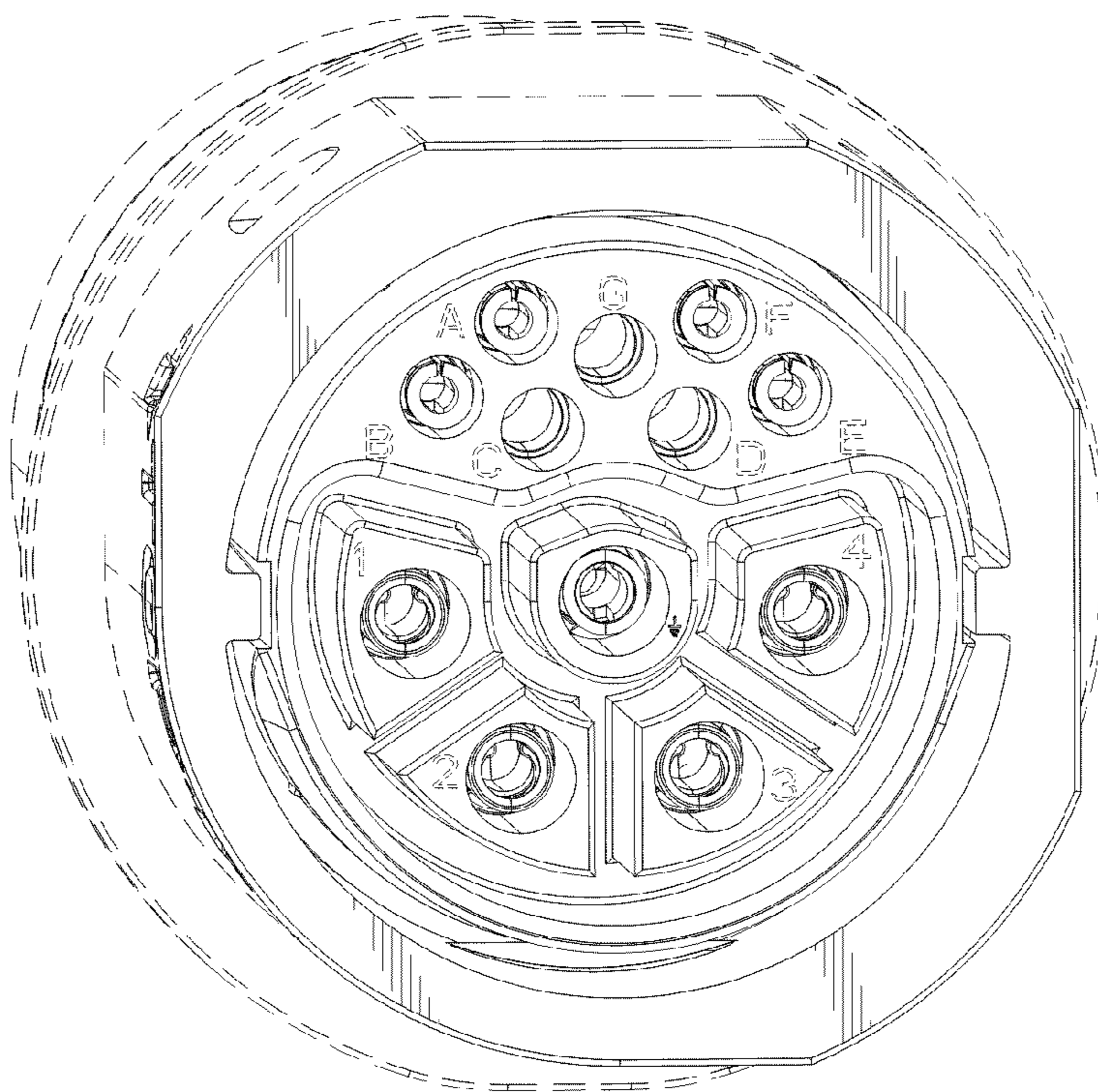


Fig. 4

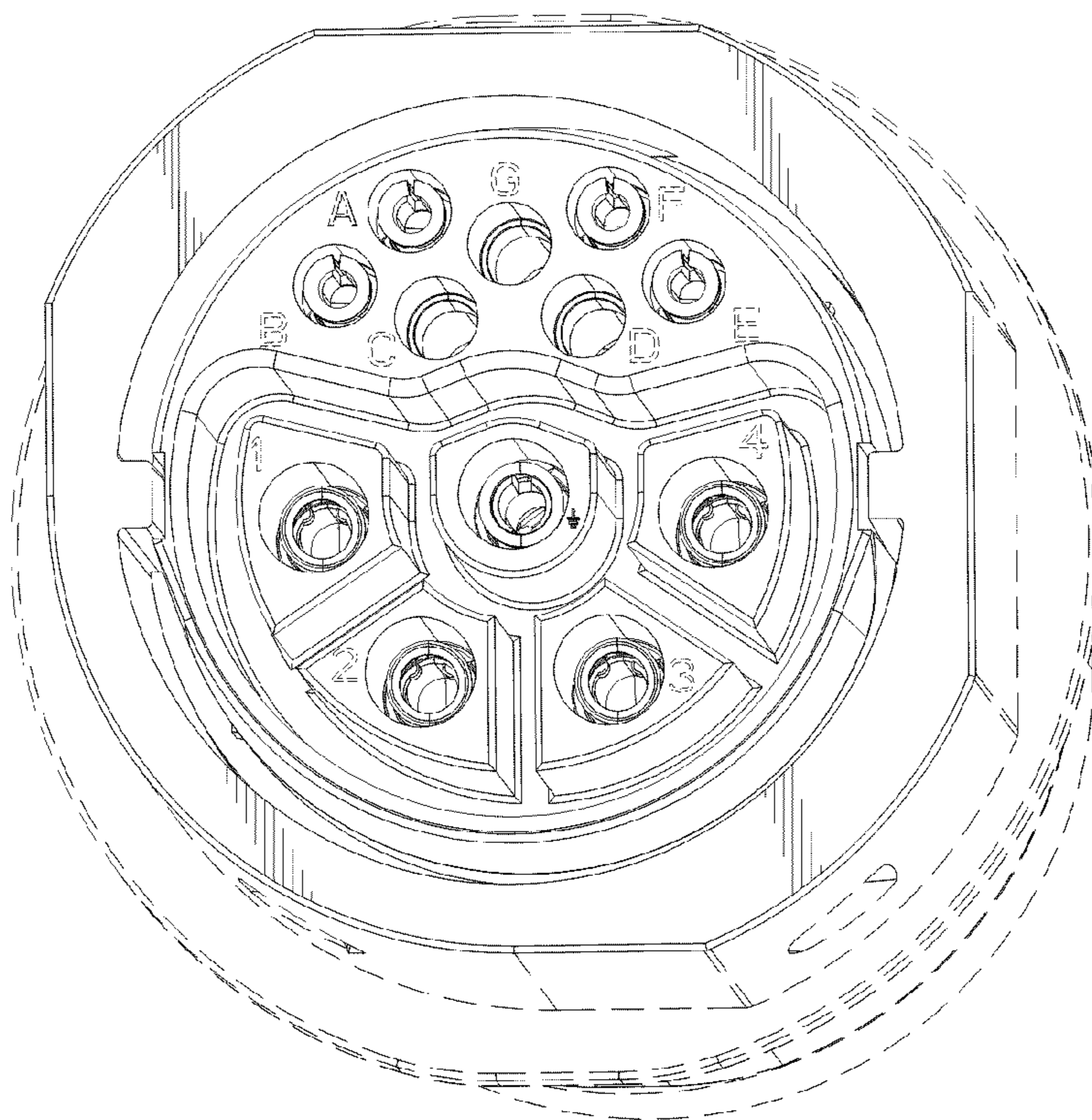


Fig. 5

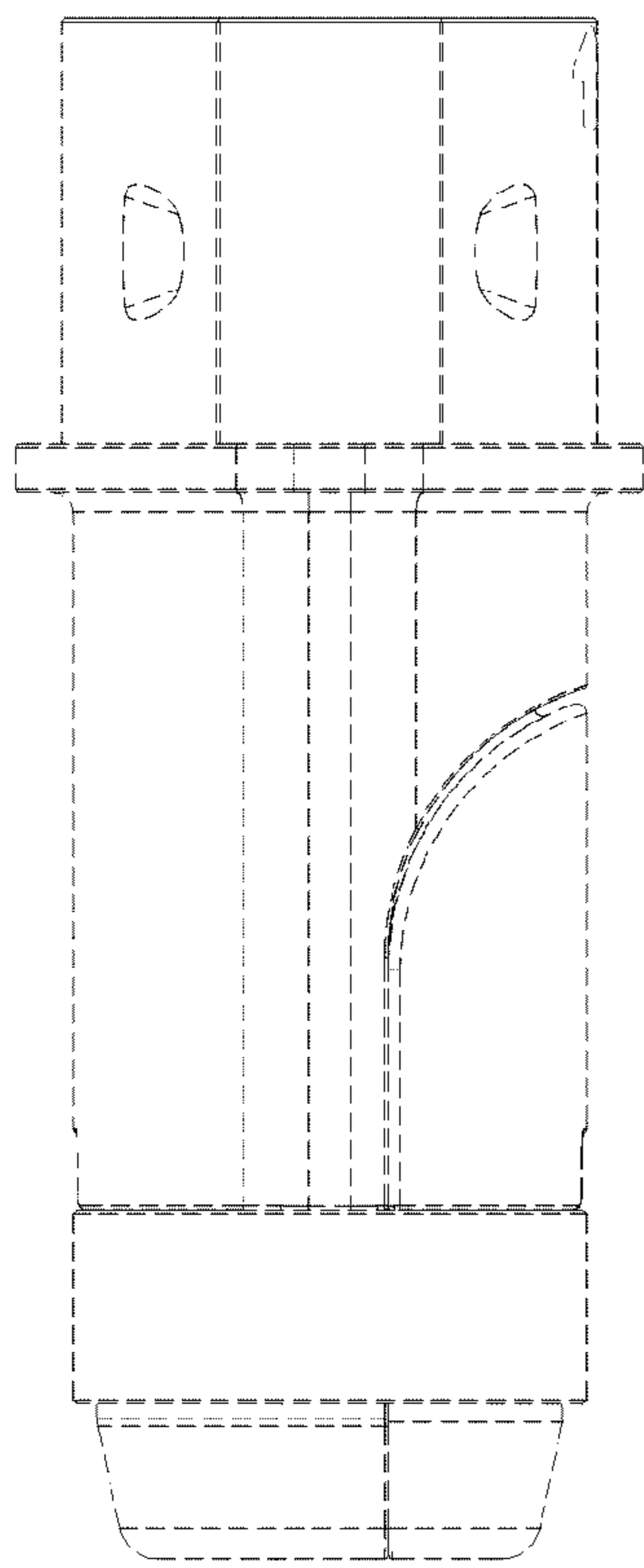


Fig. 6

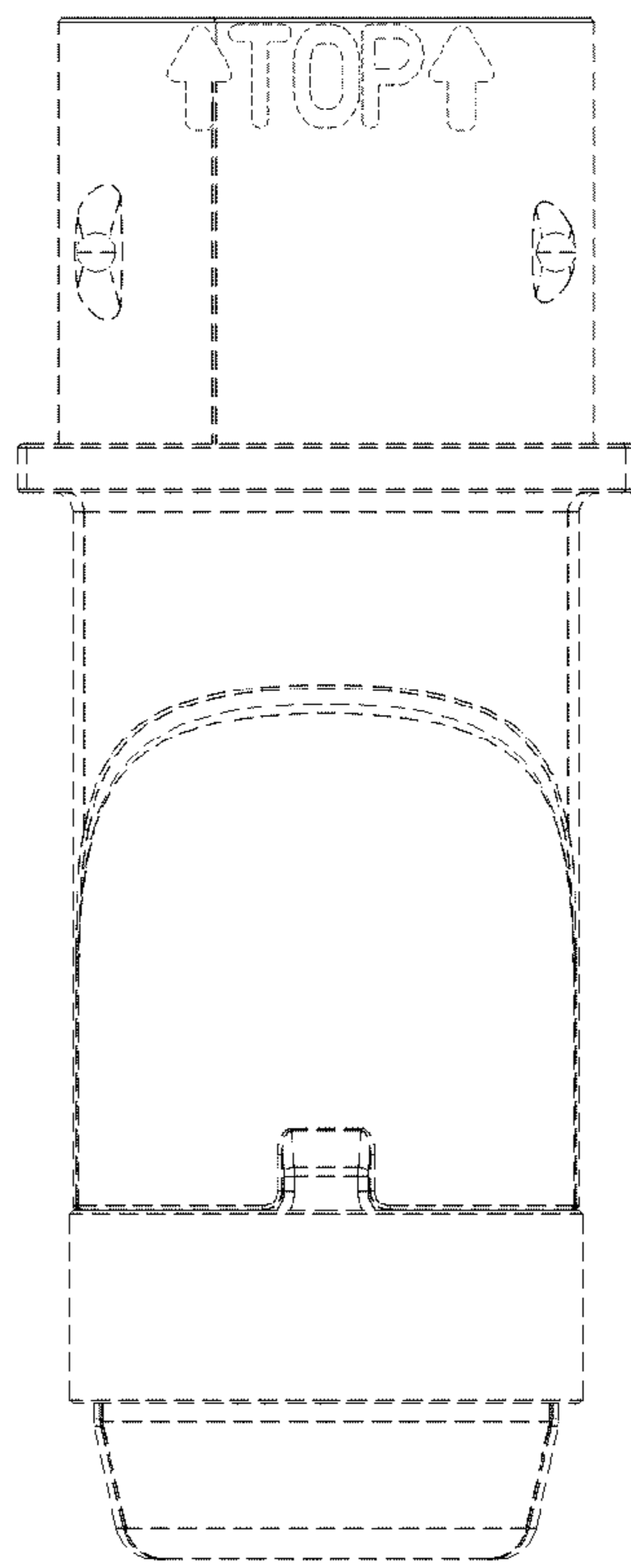


Fig. 7

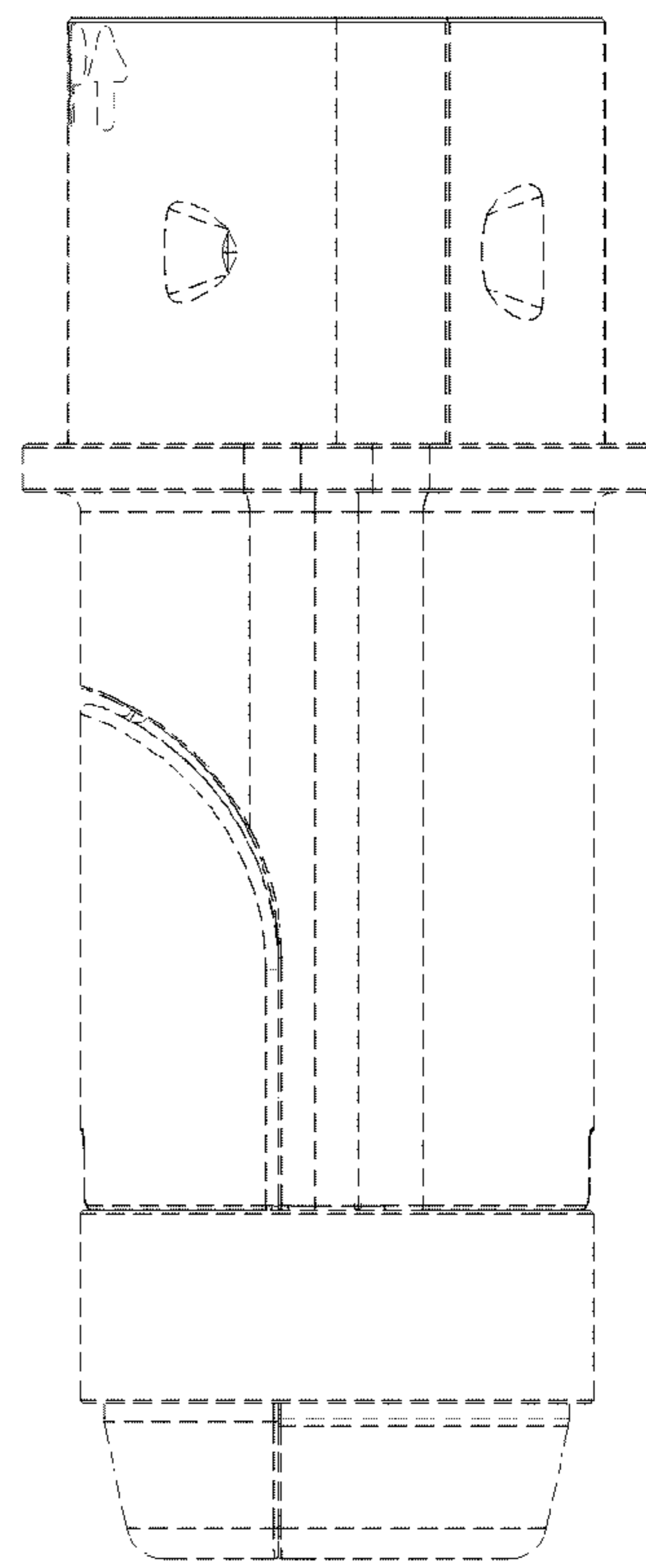


Fig. 8

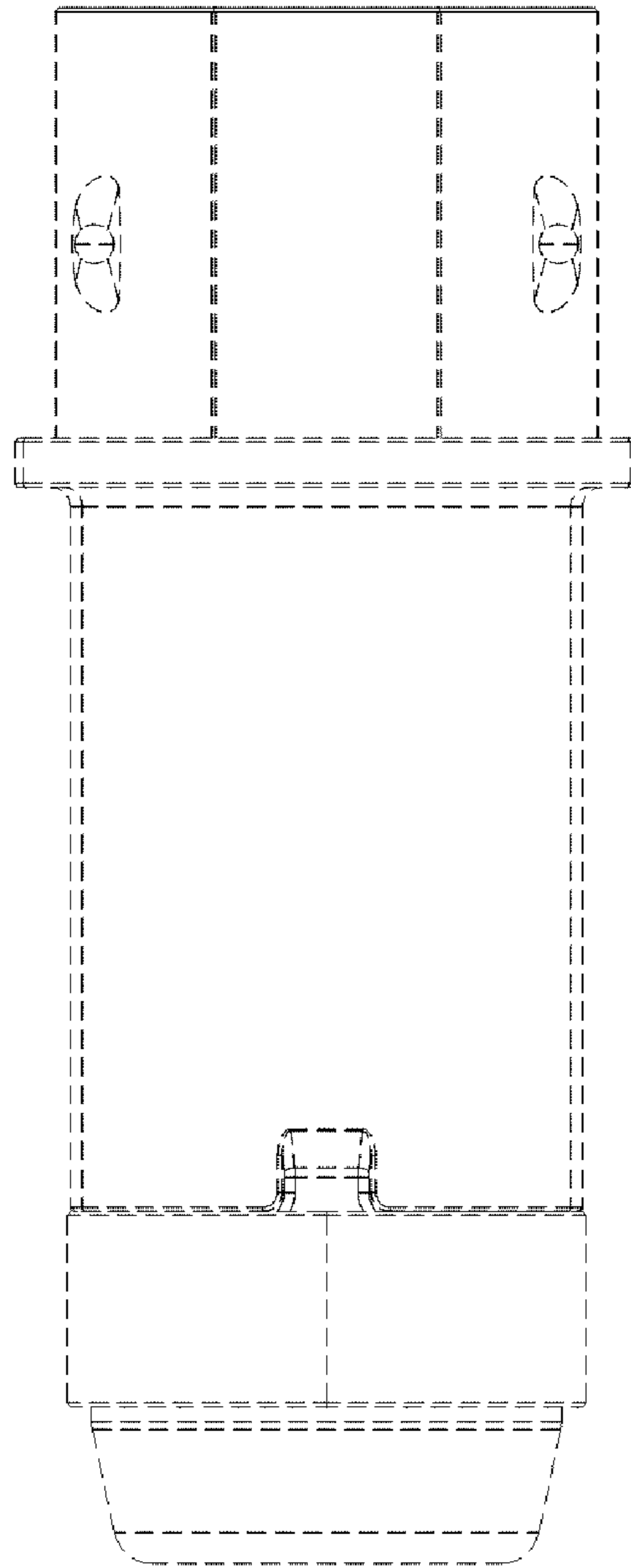


Fig. 9

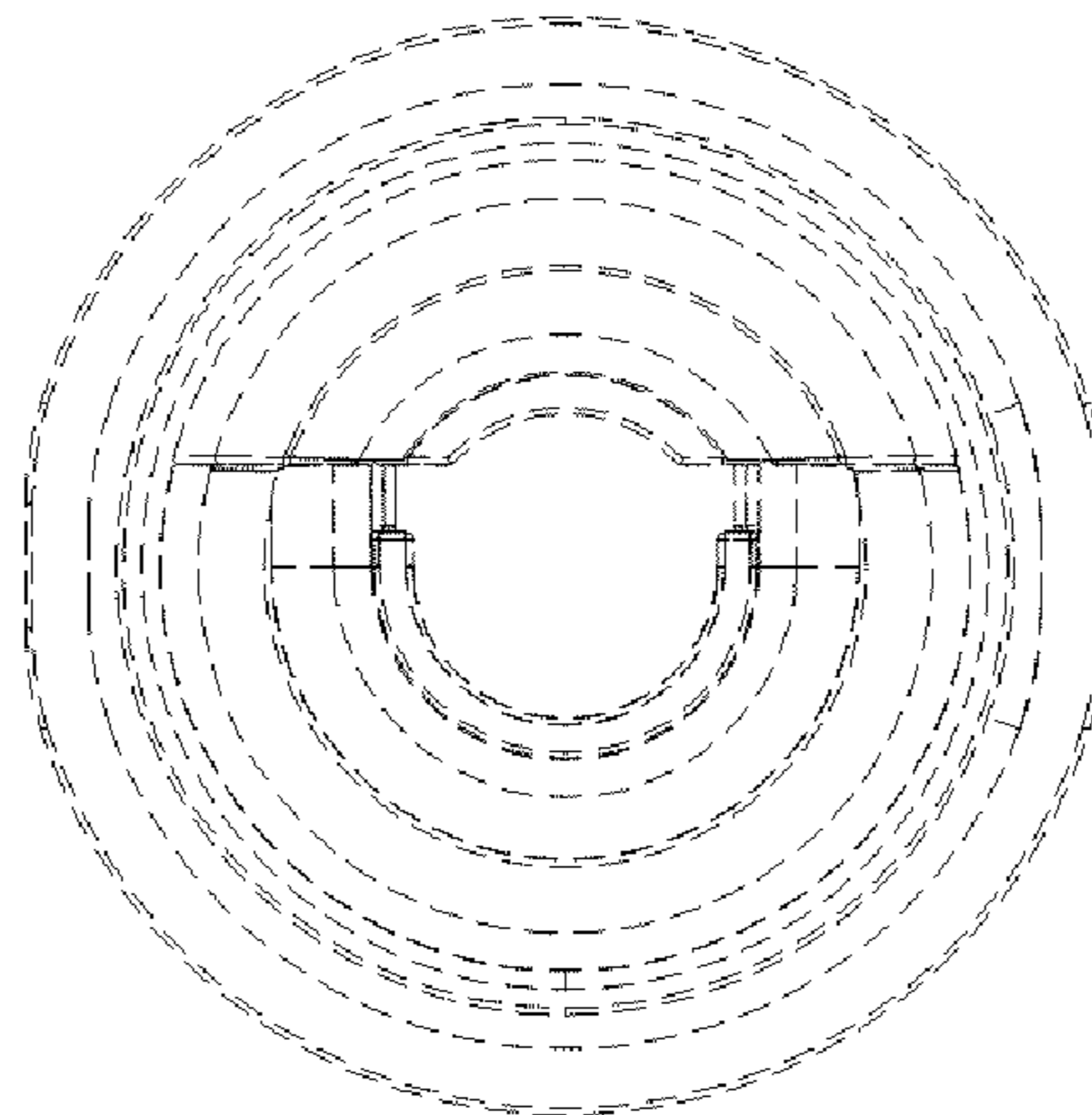


Fig. 10