



US00D644183S

(12) **United States Design Patent**
Gao et al.

(10) **Patent No.:** **US D644,183 S**

(45) **Date of Patent:** **** Aug. 30, 2011**

(54) **AUDIO JACK CONNECTOR**

(75) Inventors: **Lei Gao**, Guang-Dong (CN); **Bing-Tao Yang**, Guang-Dong (CN); **Yin-Lung Wu**, Tu-Cheng (TW); **Ming-Chiang Chen**, Tu-Cheng (TW)

(73) Assignee: **Cheng Uei Precision Industry Co., Ltd.**, Tu-Cheng, Taipei Hsien (TW)

(**) Term: **14 Years**

(21) Appl. No.: **29/382,172**

(22) Filed: **Dec. 29, 2010**

(51) **LOC (9) Cl.** **13-03**

(52) **U.S. Cl.** **D13/147; D13/133**

(58) **Field of Classification Search** D13/133,
D13/147, 154, 184; 439/188, 252, 246, 278,
439/374, 378, 380, 527, 533, 607.01, 607.04,
439/607.05, 607.17, 607.25, 607.34, 607.41,
439/668, 892, 894

See application file for complete search history.

(56) **References Cited**

U.S. PATENT DOCUMENTS

D451,472 S * 12/2001 Suzuki D13/133
D507,531 S * 7/2005 Suzuki D13/133

D533,835 S * 12/2006 Lee D13/133
D534,494 S * 1/2007 Li D13/133
D611,414 S * 3/2010 Huang D13/133
D632,251 S * 2/2011 Chen D13/147

* cited by examiner

Primary Examiner — Daniel Bui

(74) *Attorney, Agent, or Firm* — Cheng-Ju Chiang

(57) **CLAIM**

The ornamental design for an audio jack connector, as shown and described.

DESCRIPTION

FIG. 1 is a perspective view of an audio jack connector showing our new design;

FIG. 2 is a front elevational view thereof;

FIG. 3 is a rear elevational view thereof;

FIG. 4 is a left side elevational view thereof;

FIG. 5 is a right side elevational view thereof;

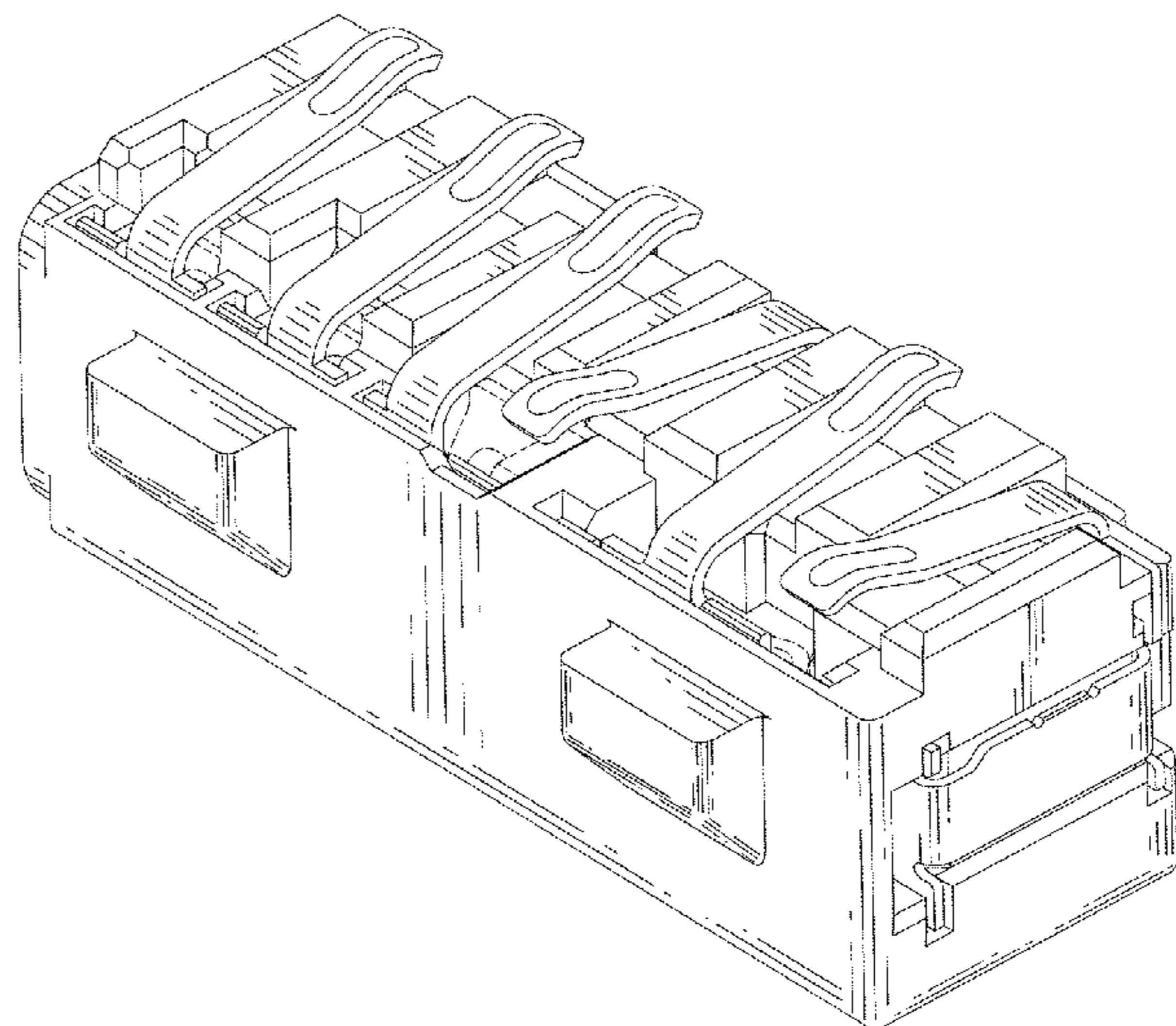
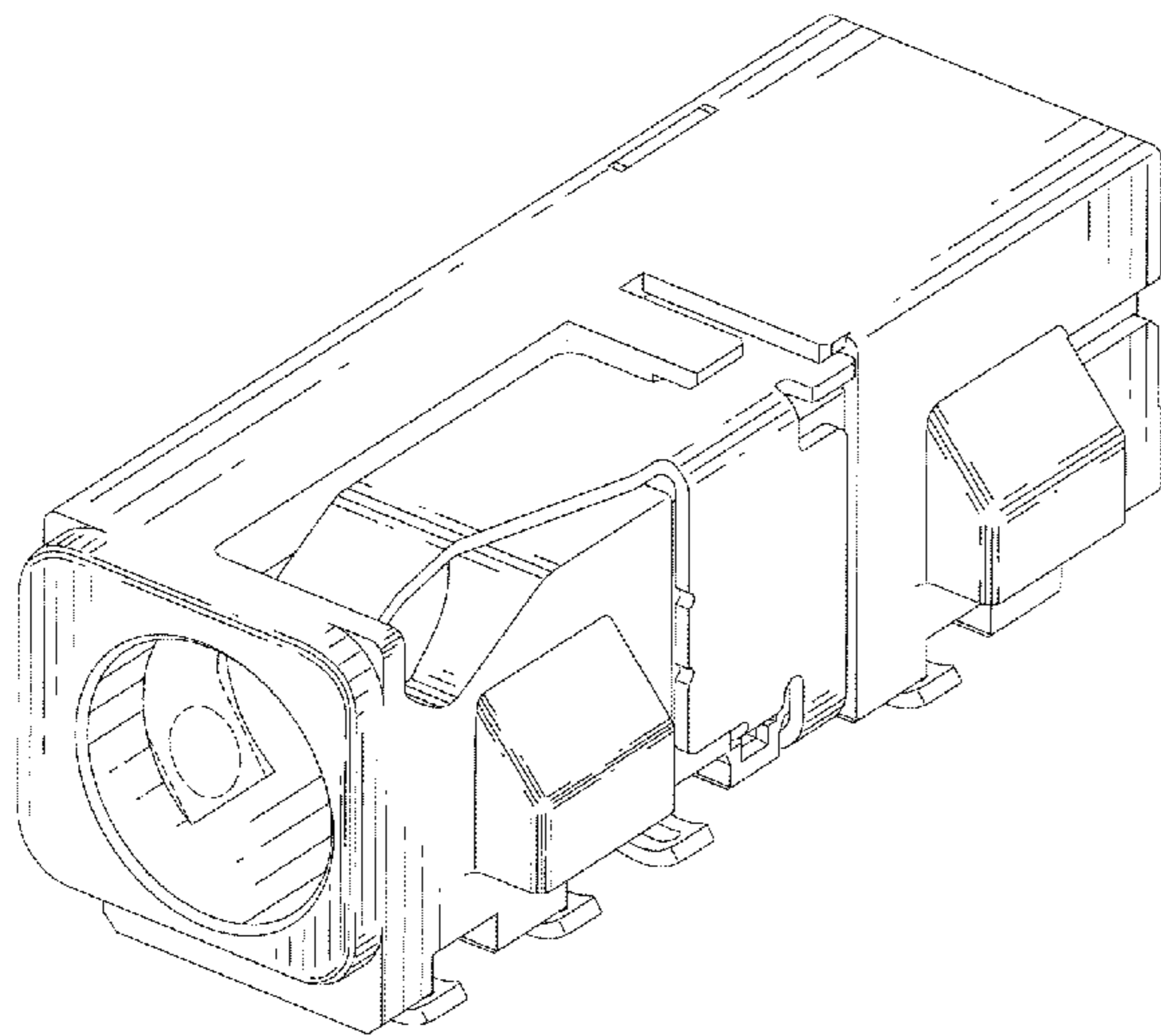
FIG. 6 is a top plan view thereof;

FIG. 7 is a bottom plan view thereof; and,

FIG. 8 is another perspective view of the audio jack connector showing my new design.

The broken line portion of the figure drawings is included to show unclaimed subject matter only and forms no part of the claimed design.

1 Claim, 8 Drawing Sheets



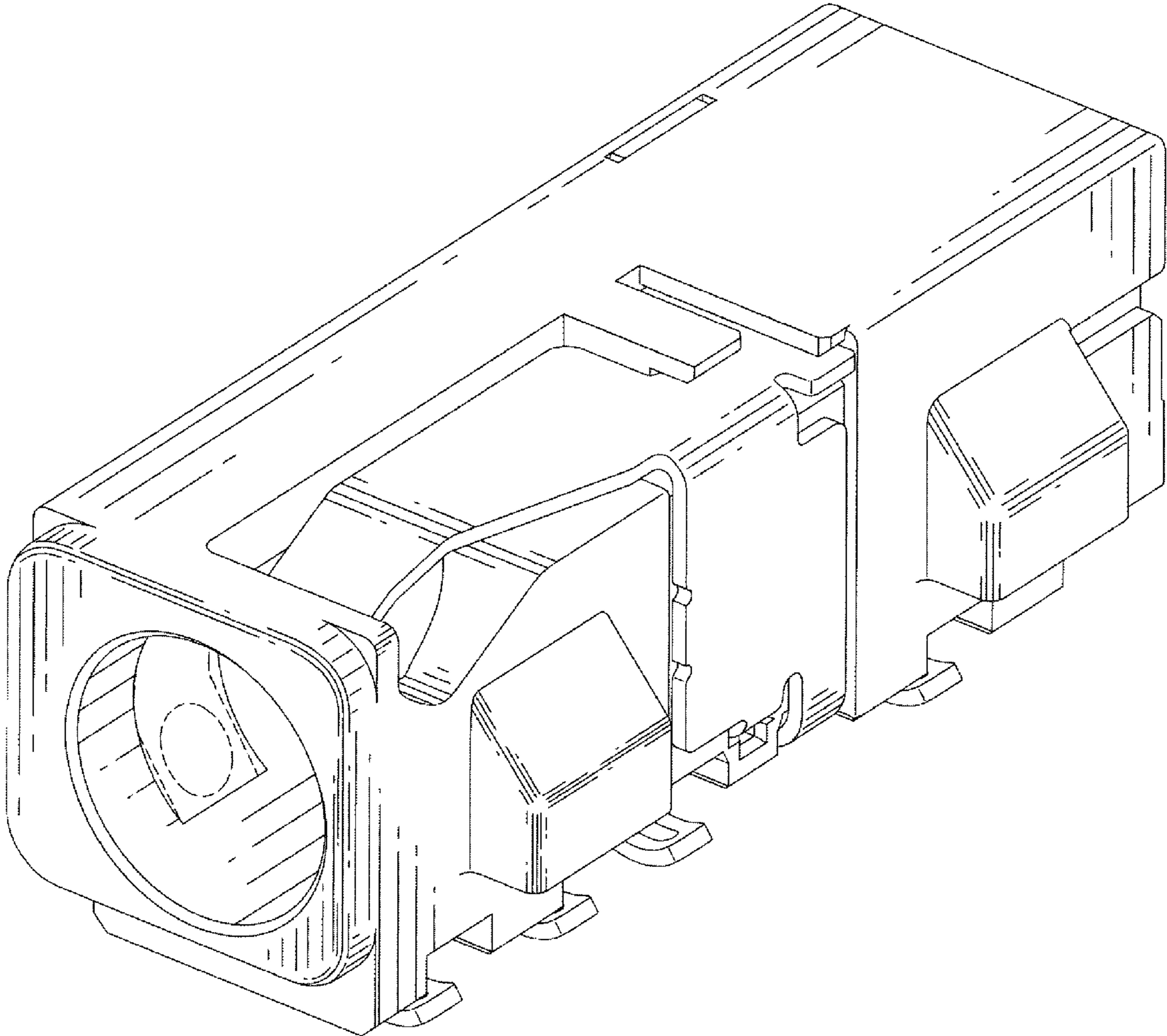


FIG. 1

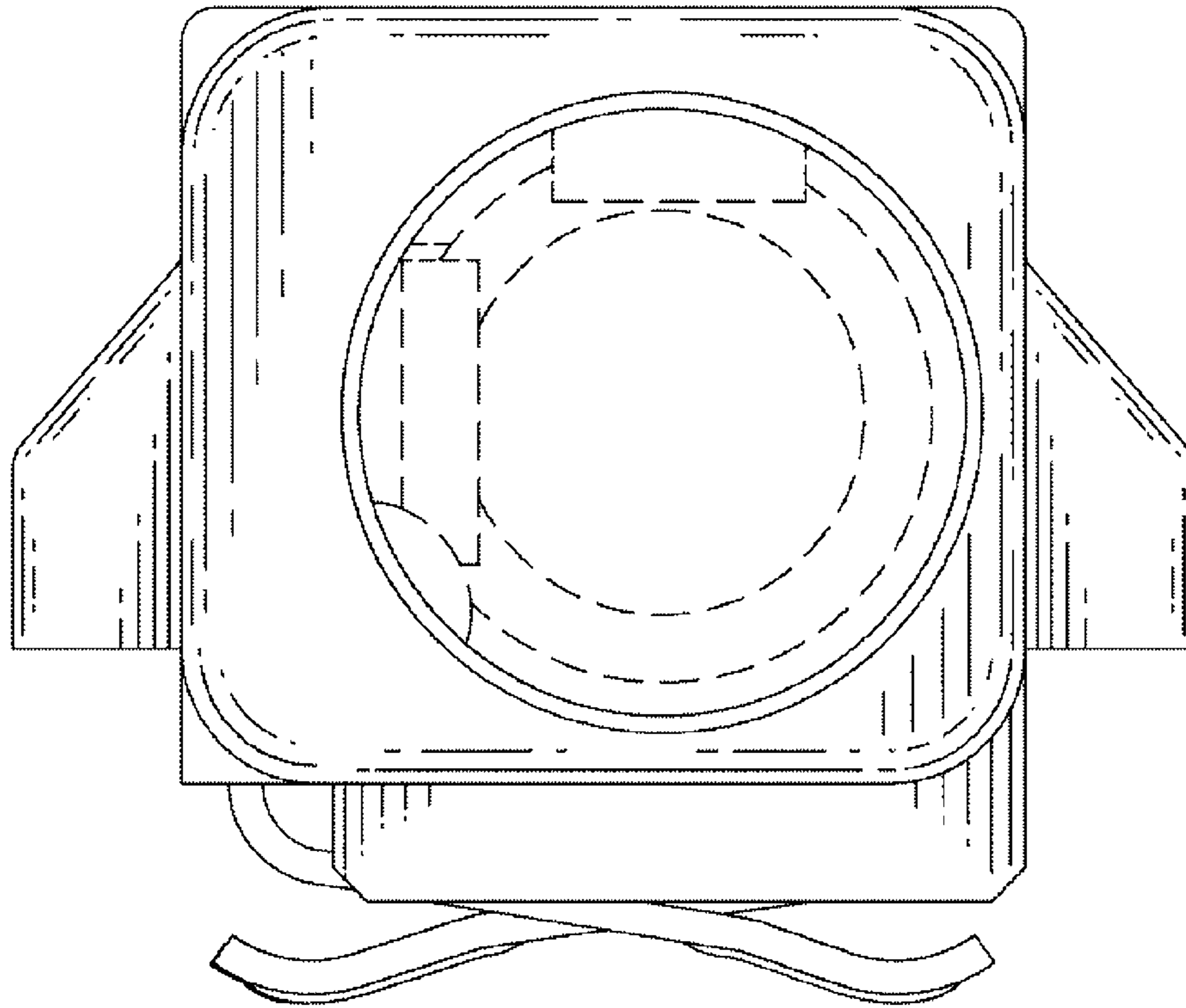


FIG. 2

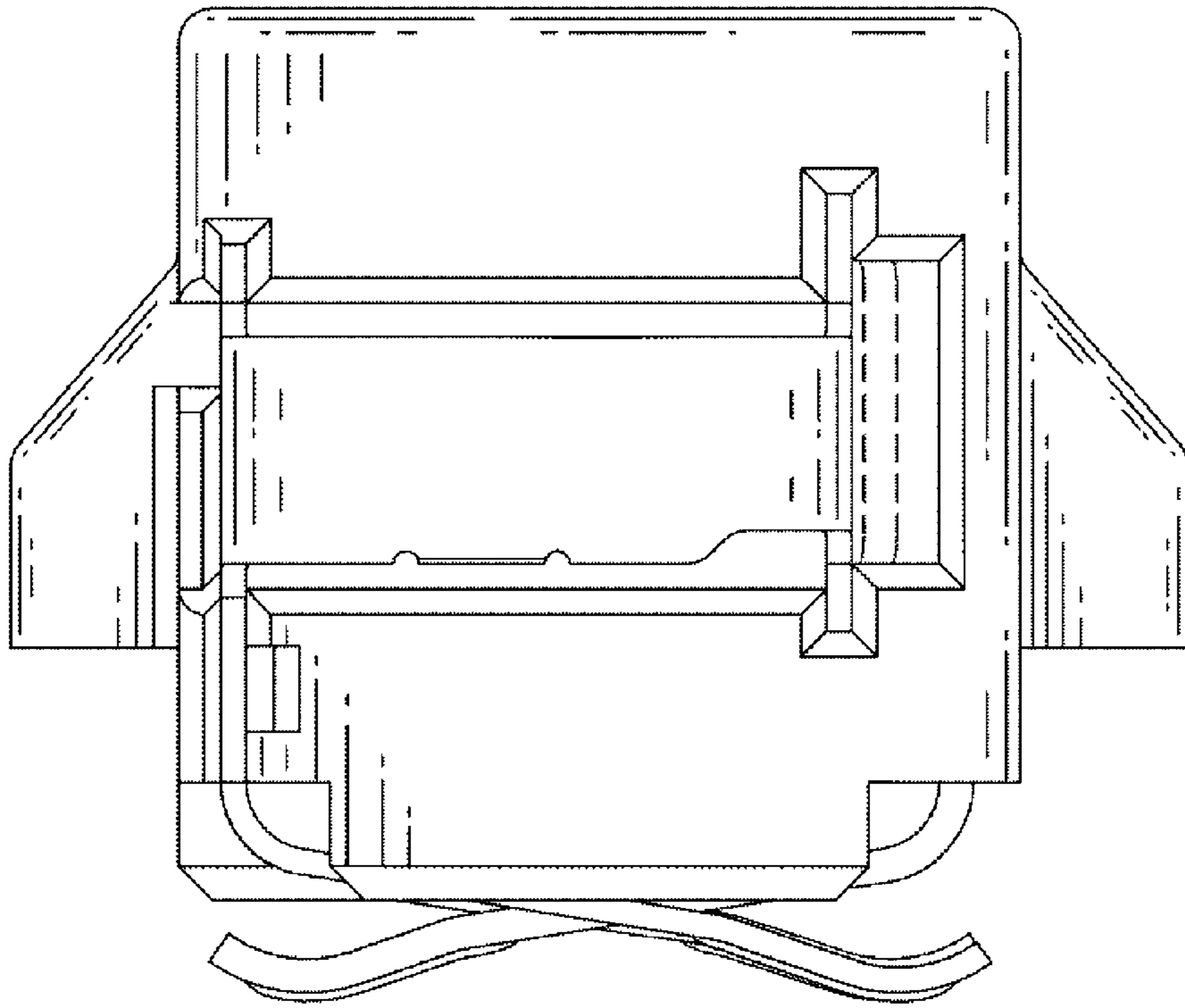


FIG. 3

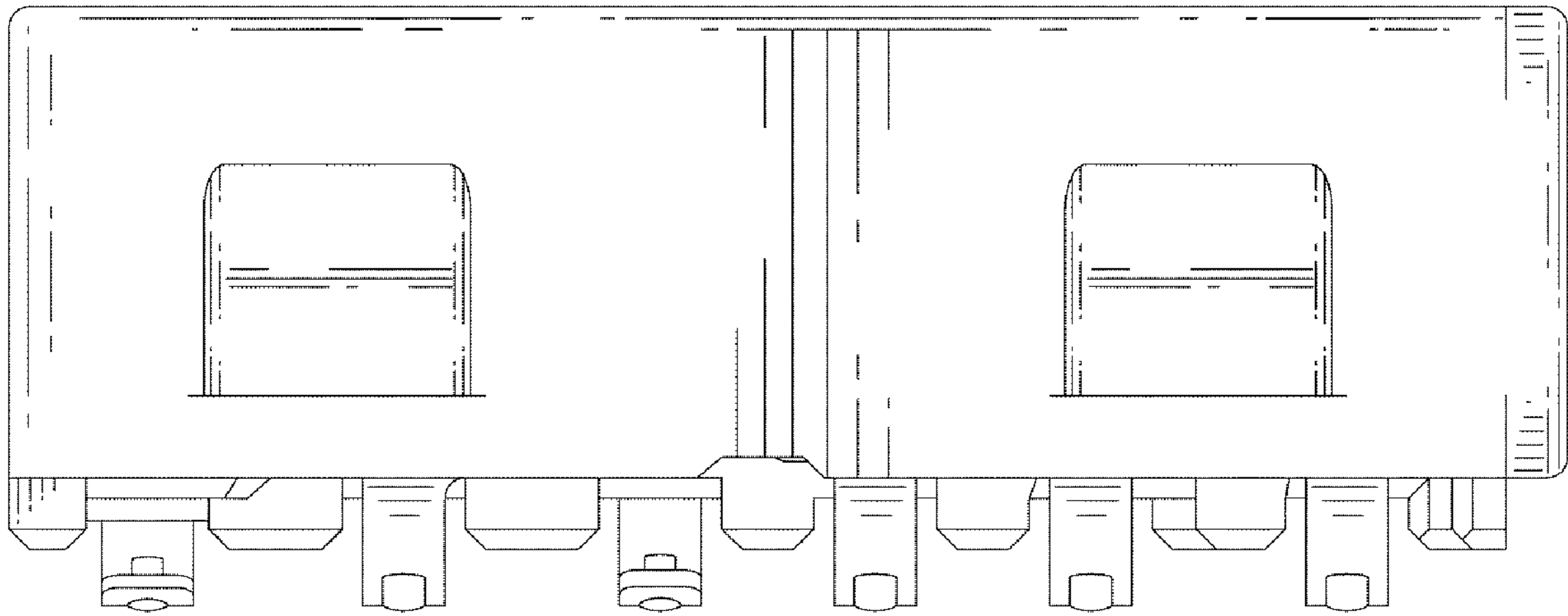


FIG. 4

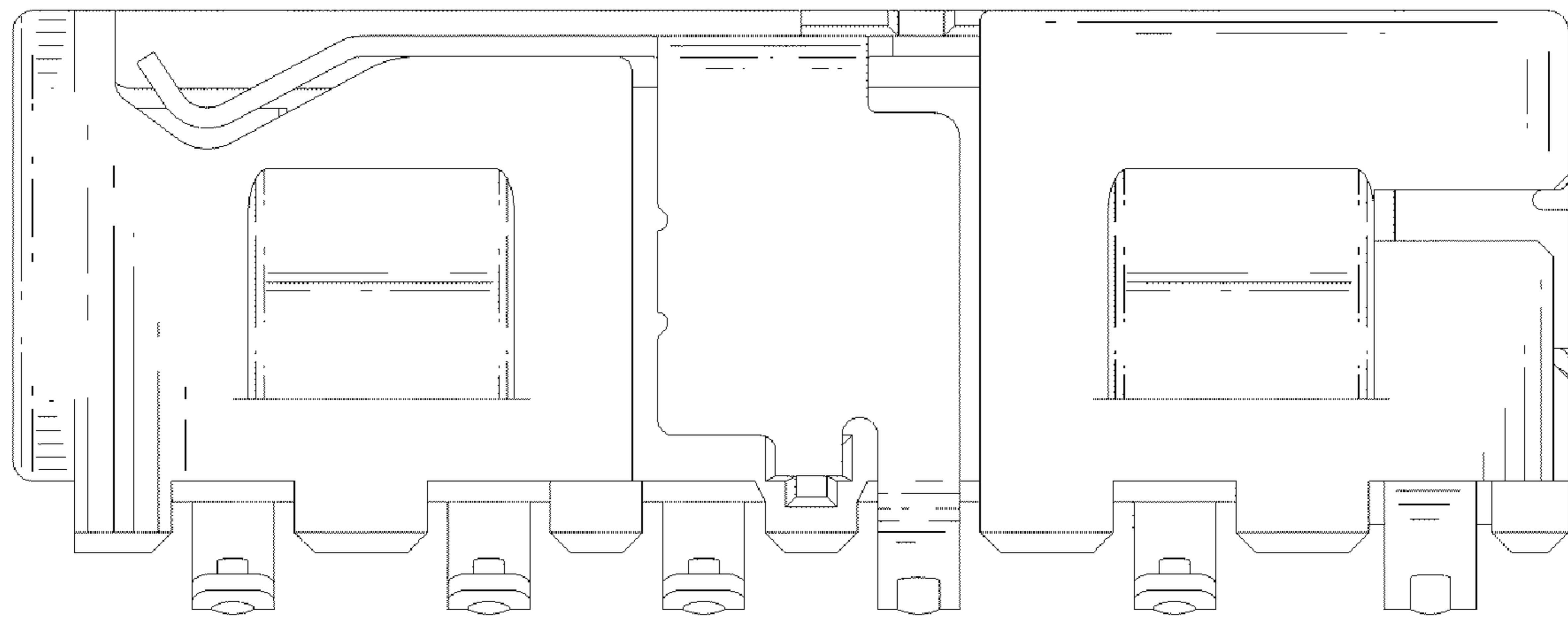


FIG. 5

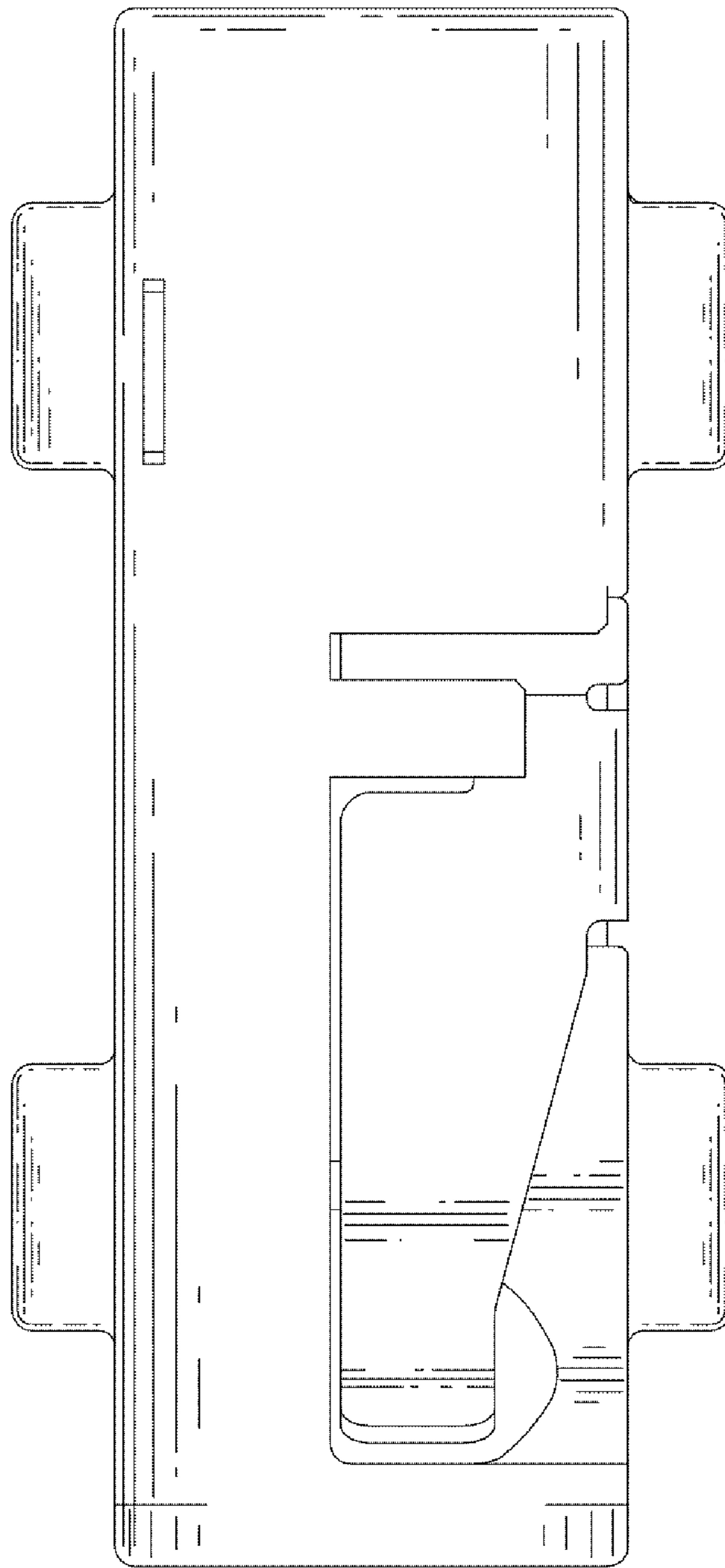


FIG. 6

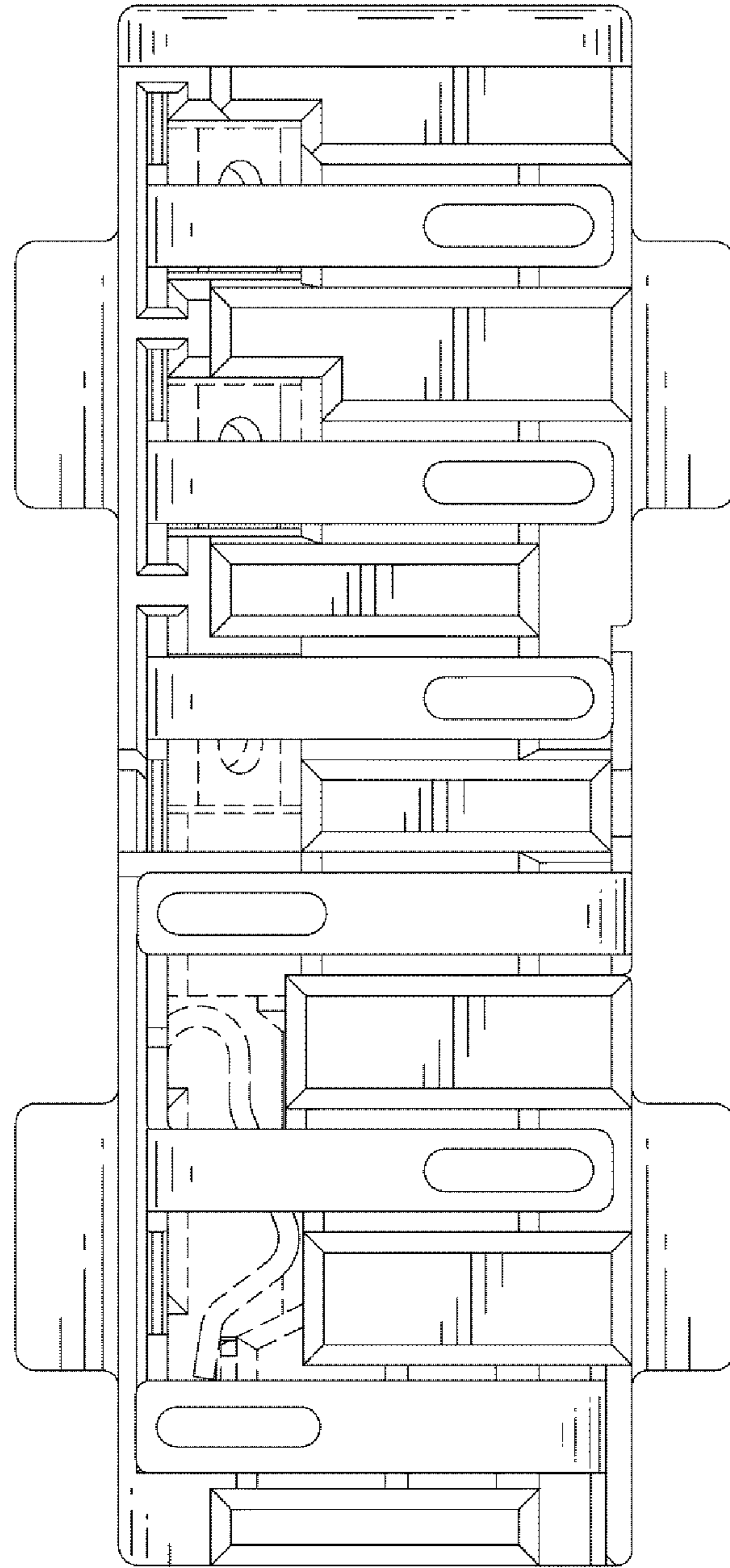


FIG. 7

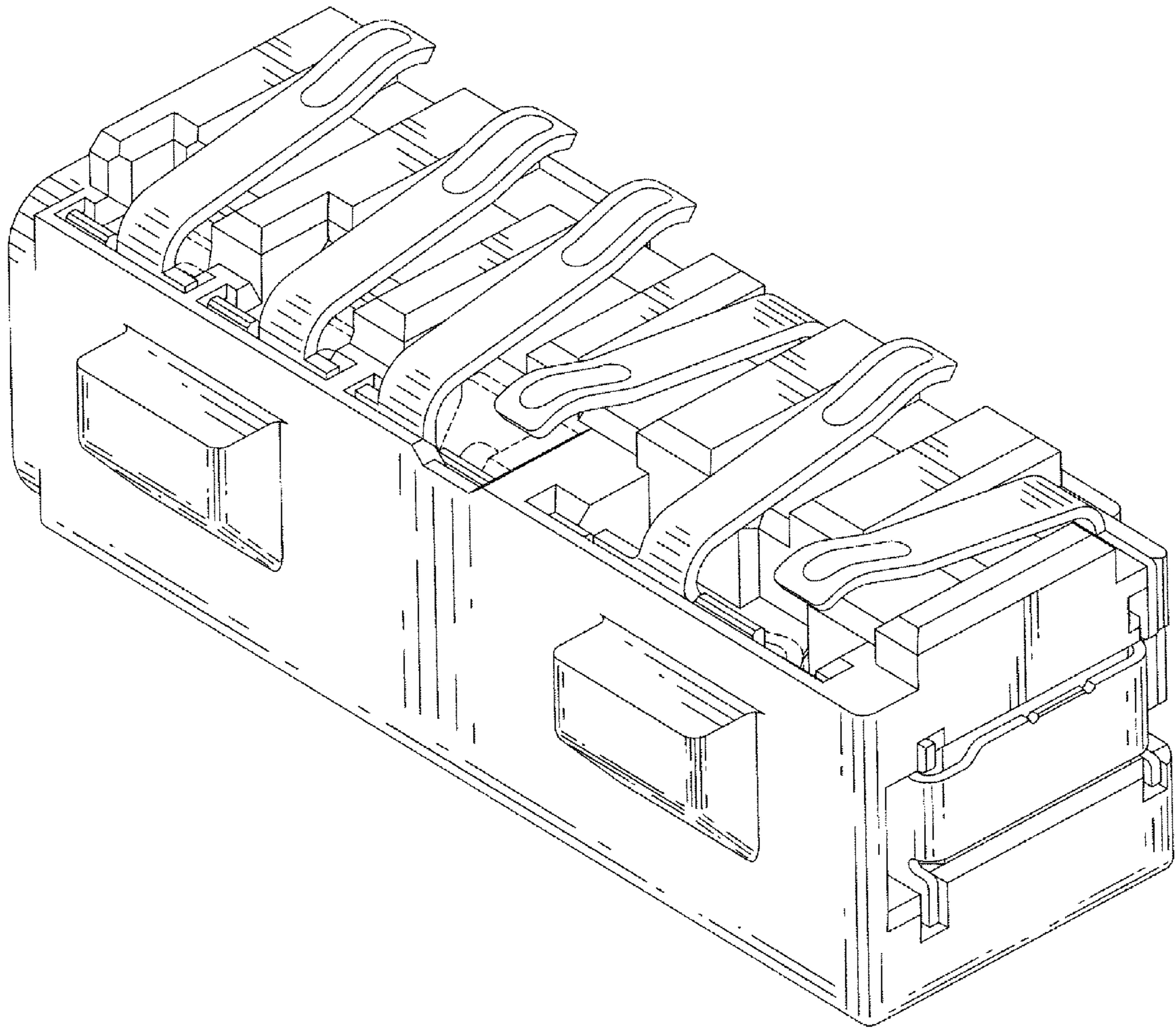


FIG. 8