



US00D644181S

(12) **United States Design Patent**
Hu

(10) **Patent No.:** **US D644,181 S**

(45) **Date of Patent:** **** Aug. 30, 2011**

(54) **HDMI CABLE CONNECTOR**

(75) Inventor: **Tao Hu**, Guangdong Province (CN)

(73) Assignee: **Monoprice, Inc.**, Rancho Cucamonga, CA (US)

(**) Term: **14 Years**

(21) Appl. No.: **29/366,149**

(22) Filed: **Jul. 20, 2010**

(51) **LOC (9) Cl.** **13-03**

(52) **U.S. Cl.** **D13/147**

(58) **Field of Classification Search** D13/133,
D13/146-147, 153, 154, 156, 184; 439/79,
439/248, 258, 274, 350, 353, 358, 447, 476.1,
439/607.01, 607.04, 607.05, 607.17, 607.25,
439/607.34, 607.41, 660, 668, 680

See application file for complete search history.

(56) **References Cited**

U.S. PATENT DOCUMENTS

D491,894 S *	6/2004	Jiang	D13/147
D527,709 S *	9/2006	Kuo	D13/147
D563,899 S *	3/2008	Goetz et al.	D13/154
D601,974 S *	10/2009	Igarashi	D13/154
D602,441 S *	10/2009	Wu et al.	D13/147
D602,871 S *	10/2009	Zhao et al.	D13/147
D603,800 S *	11/2009	Zhao et al.	D13/147
D634,710 S *	3/2011	Hsieh	D13/147

* cited by examiner

Primary Examiner — Daniel Bui

(74) *Attorney, Agent, or Firm* — Knobbe, Martens, Olson & Bear, LLP

(57) **CLAIM**

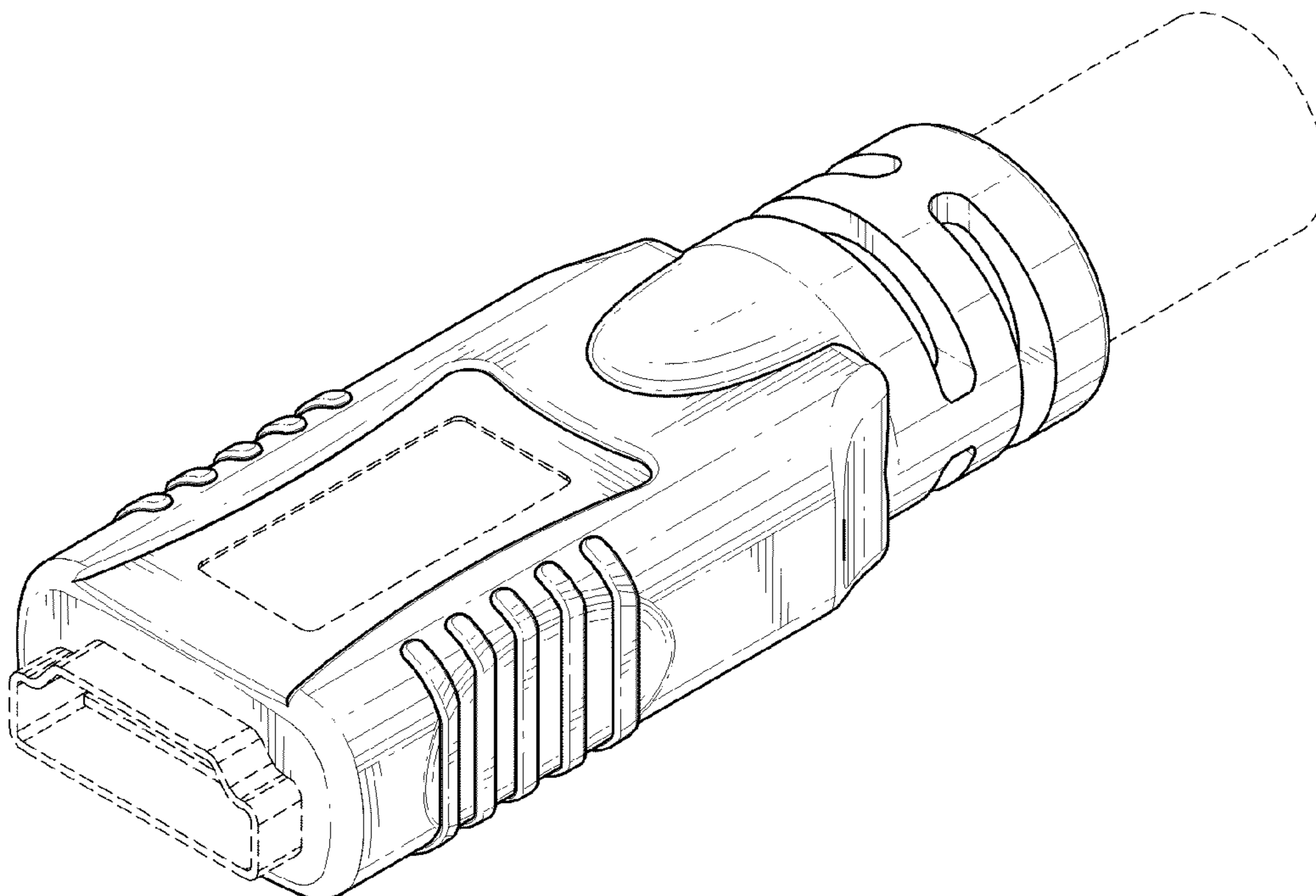
The ornamental design for an HDMI cable connector, as shown and described.

DESCRIPTION

FIG. 1 is a perspective view of an HDMI cable connector showing my new design;
 FIG. 2 is a top view thereof;
 FIG. 3 is a bottom view thereof;
 FIG. 4 is a left side view thereof;
 FIG. 5 is a right side view thereof;
 FIG. 6 is a front view thereof;
 FIG. 7 is a back view thereof;
 FIG. 8 is a perspective view of an HDMI cable connector showing my new design;
 FIG. 9 is a top view thereof;
 FIG. 10 is a bottom view thereof;
 FIG. 11 is a left side view thereof;
 FIG. 12 is a right side view thereof;
 FIG. 13 is a front view thereof;
 FIG. 14 is a back view thereof;
 FIG. 15 is a perspective view of an HDMI cable connector showing my new design;
 FIG. 16 is a top view thereof;
 FIG. 17 is a bottom view thereof;
 FIG. 18 is a left side view thereof;
 FIG. 19 is a right side view thereof;
 FIG. 20 is a back view thereof; and,
 FIG. 21 is a front view thereof.

The broken line portion of the figure drawings is included to show unclaimed subject matter only and forms no part of the claimed design.

1 Claim, 9 Drawing Sheets



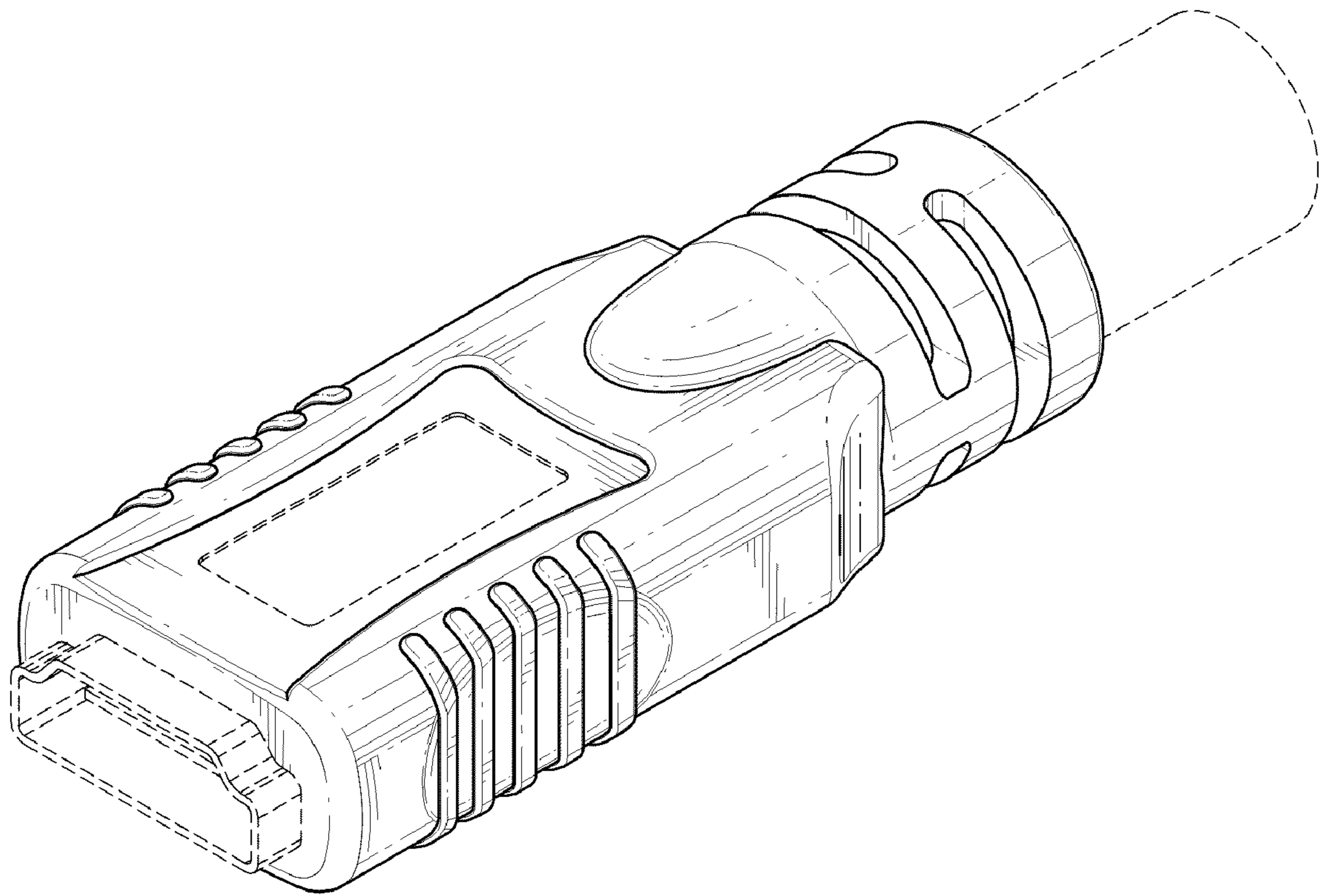


FIG. 1

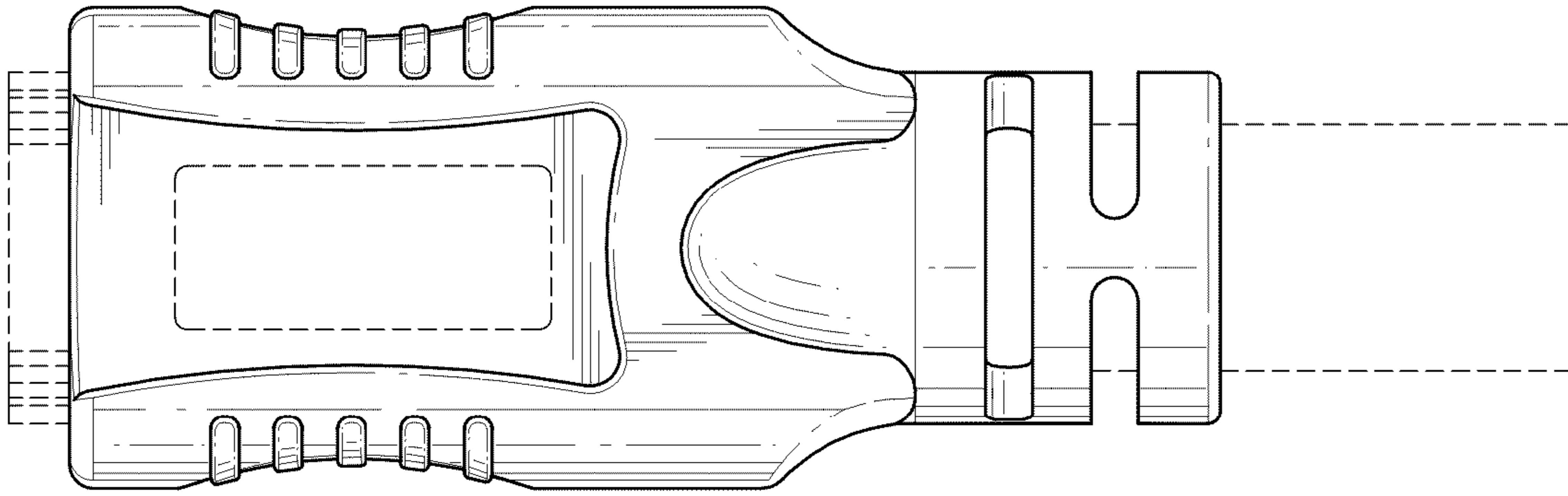


FIG. 2

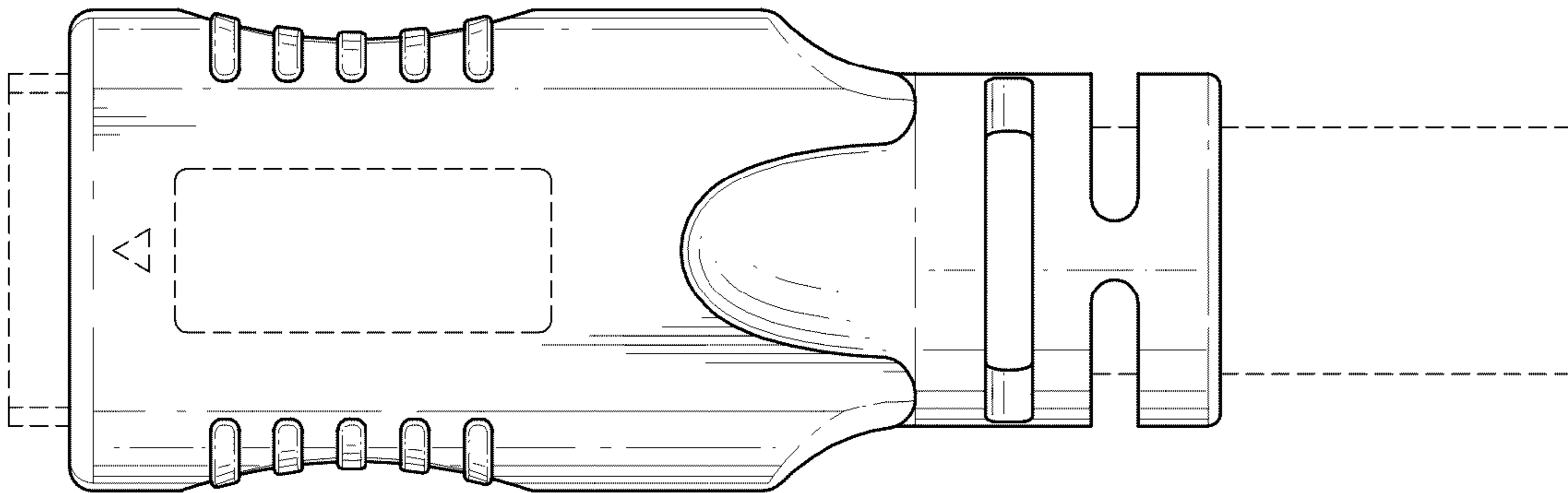


FIG. 3

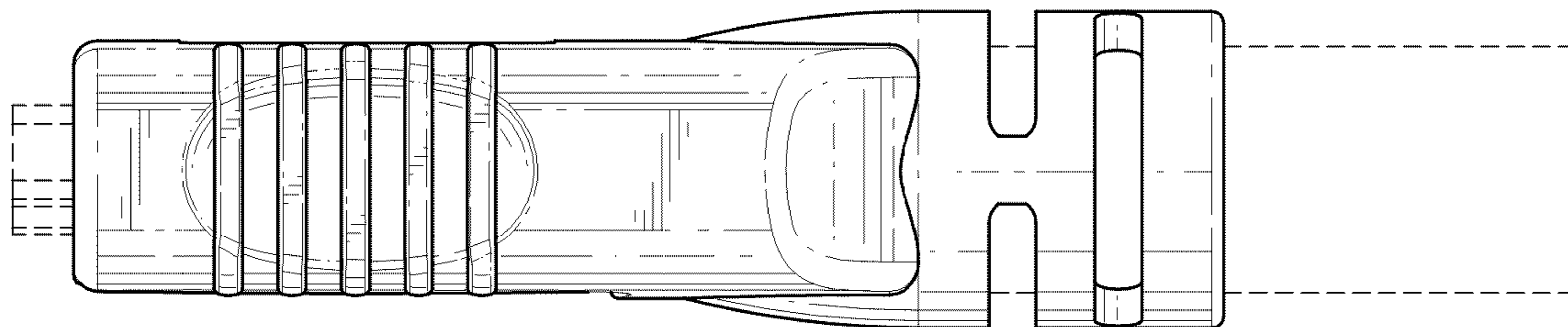


FIG. 4

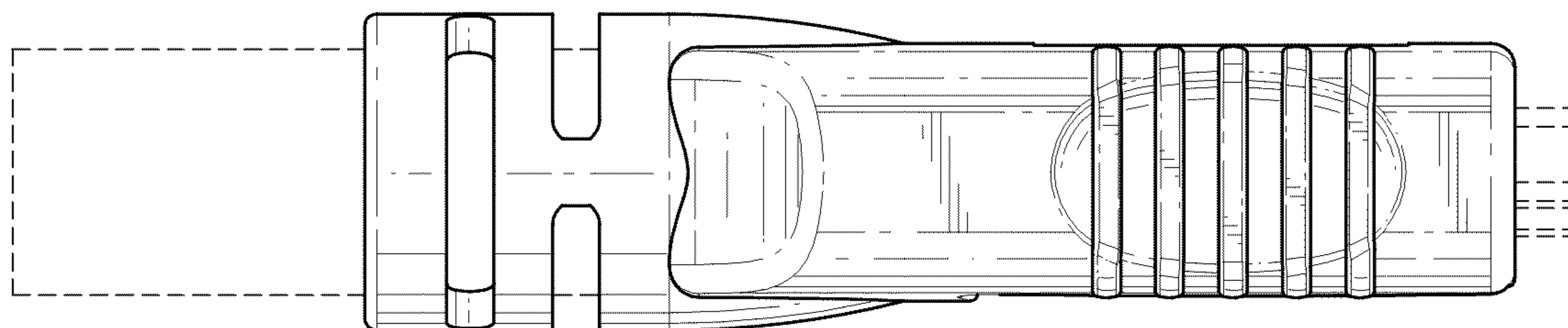


FIG. 5

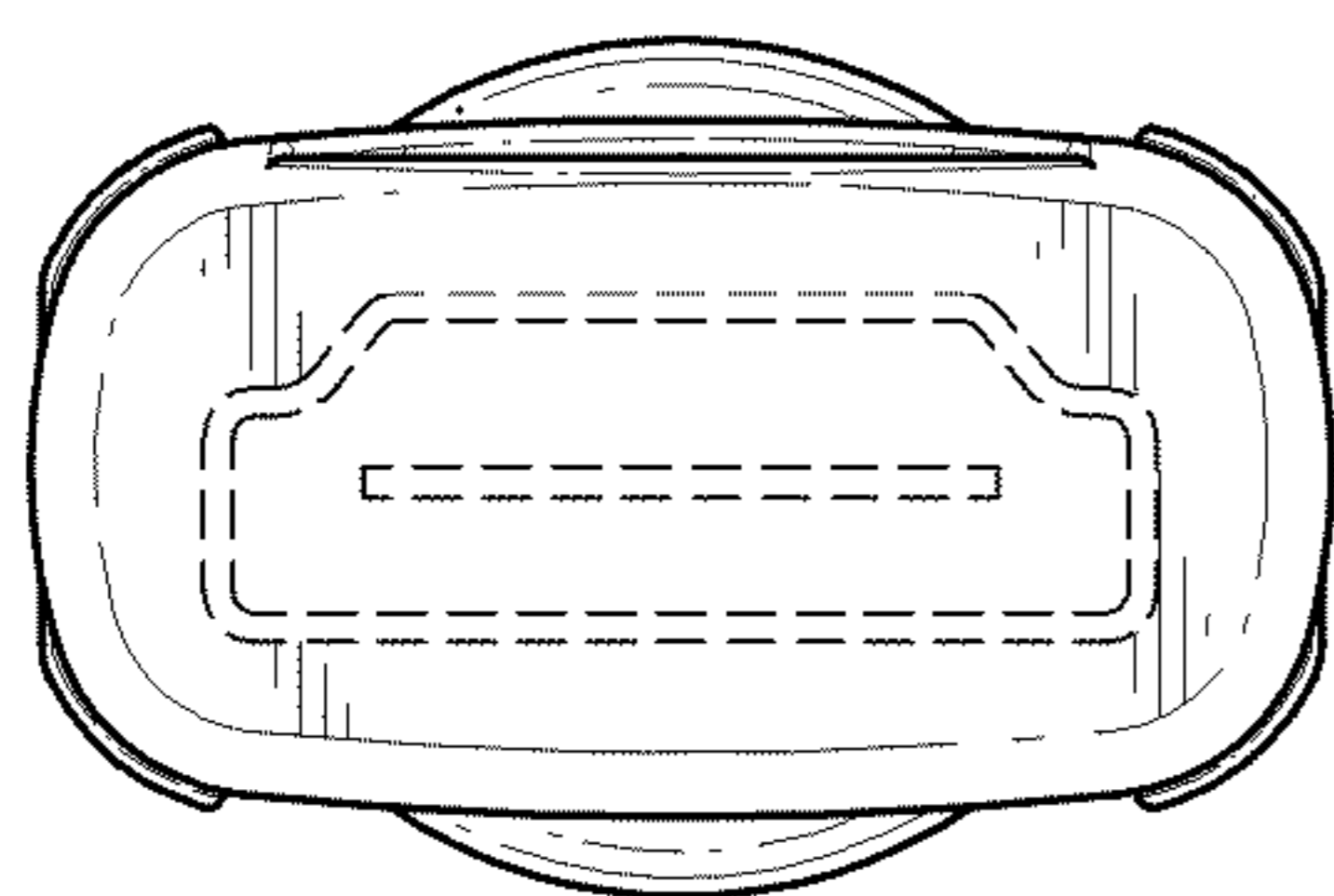


FIG. 6

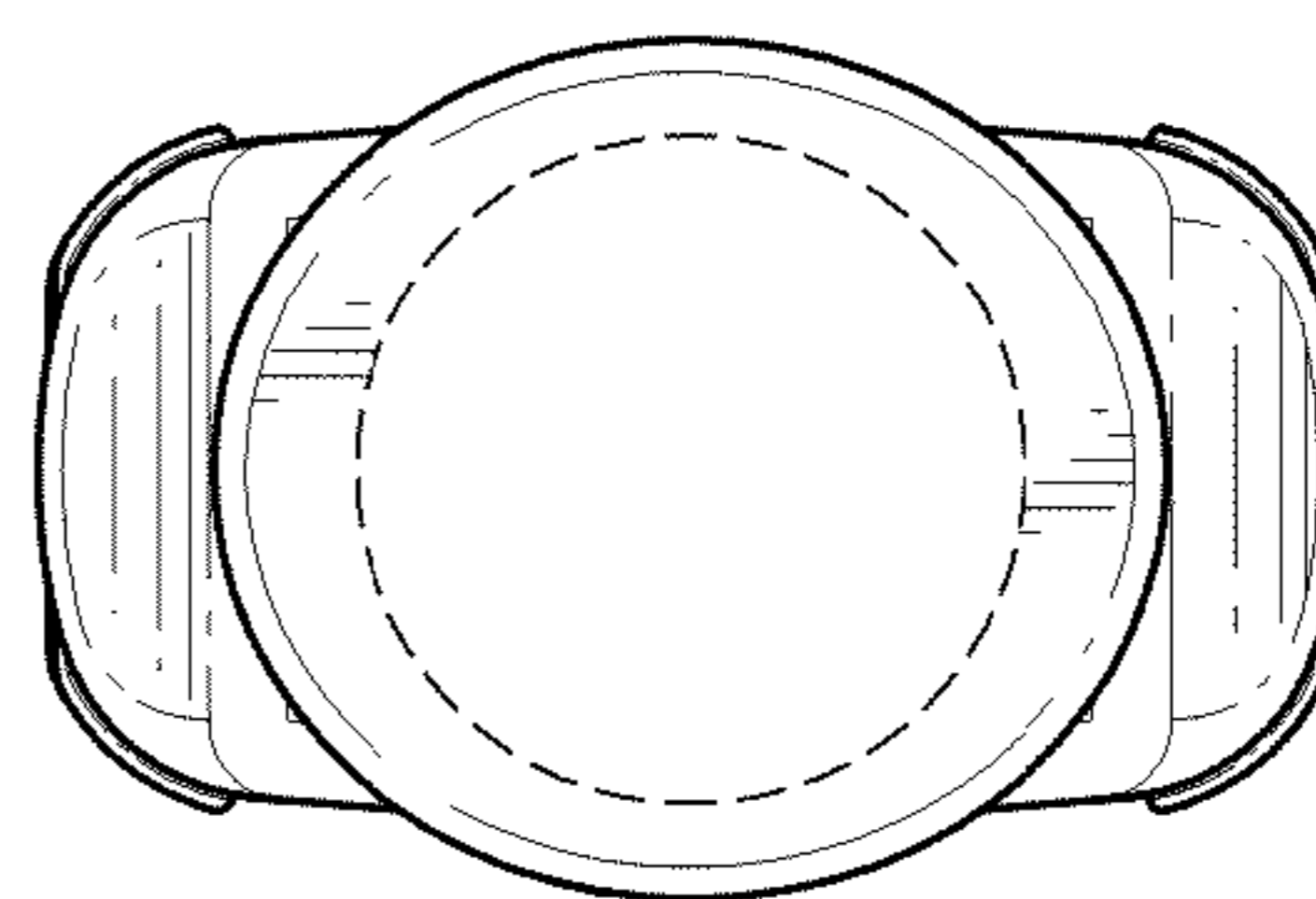


FIG. 7

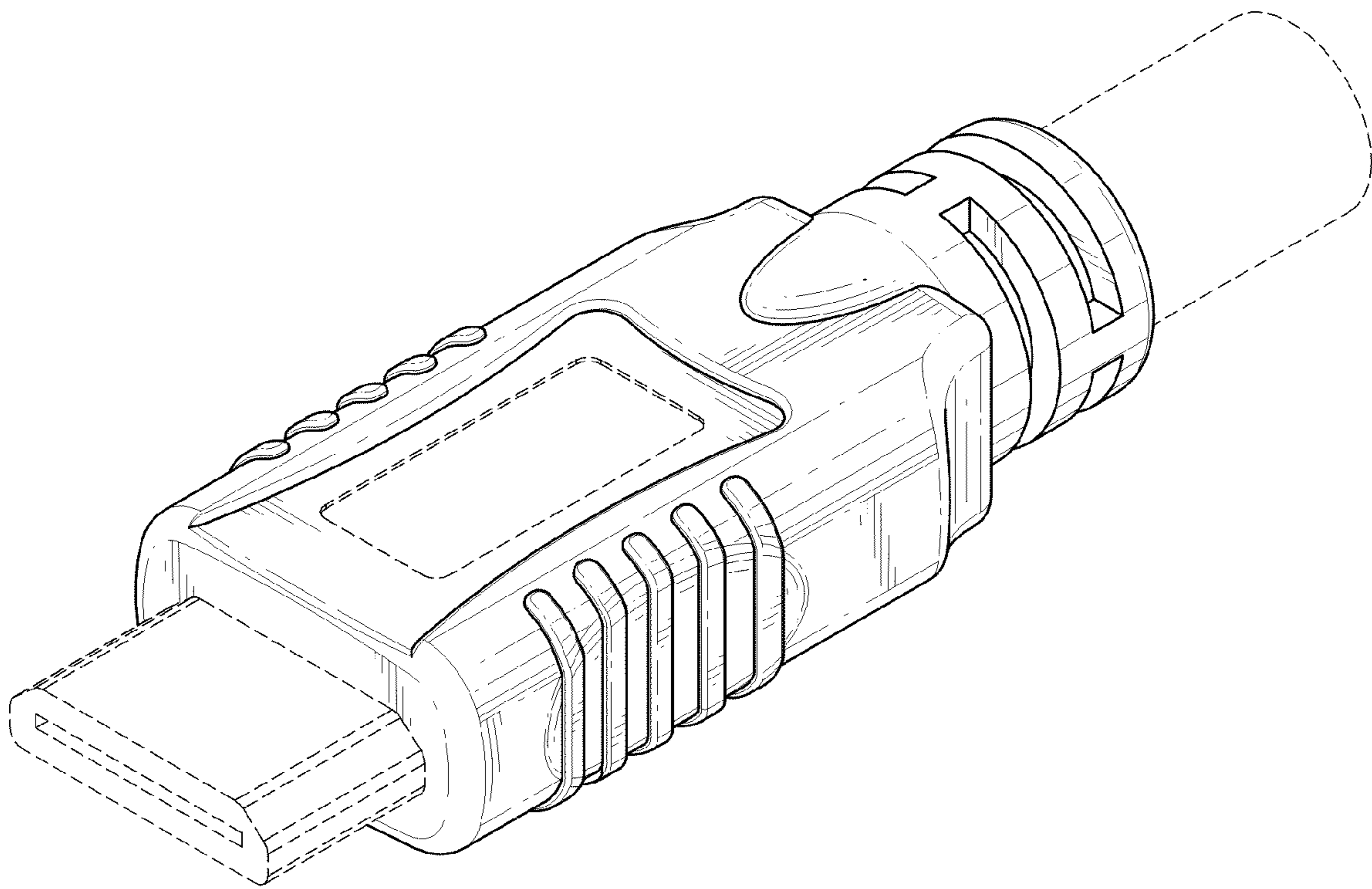


FIG. 8

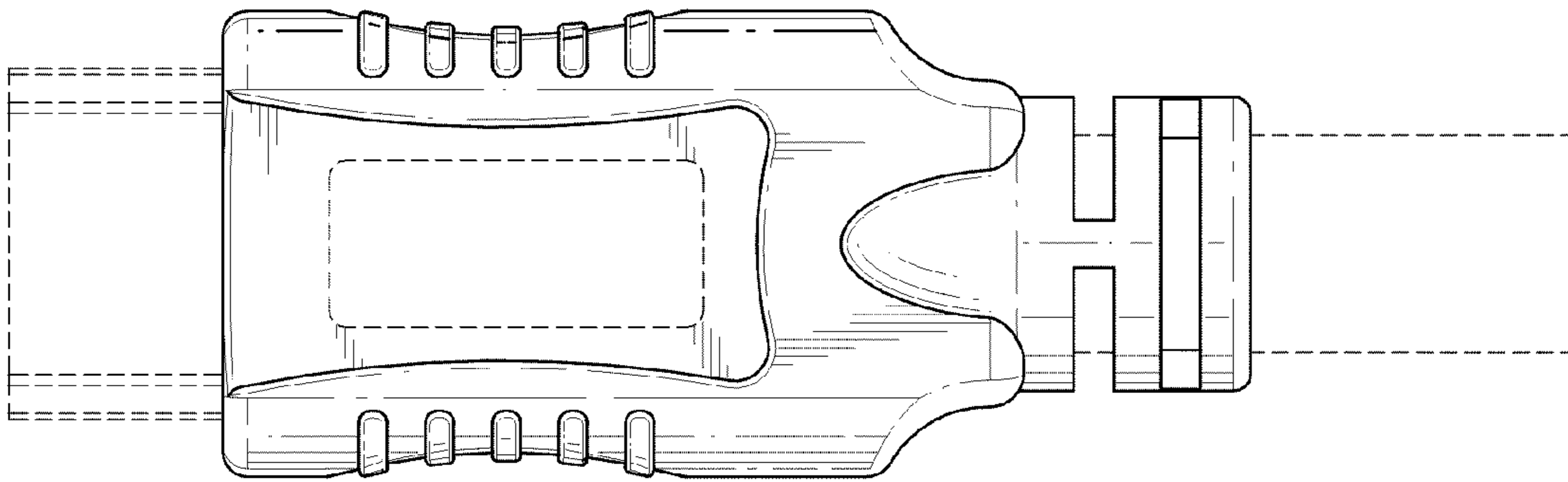


FIG. 9

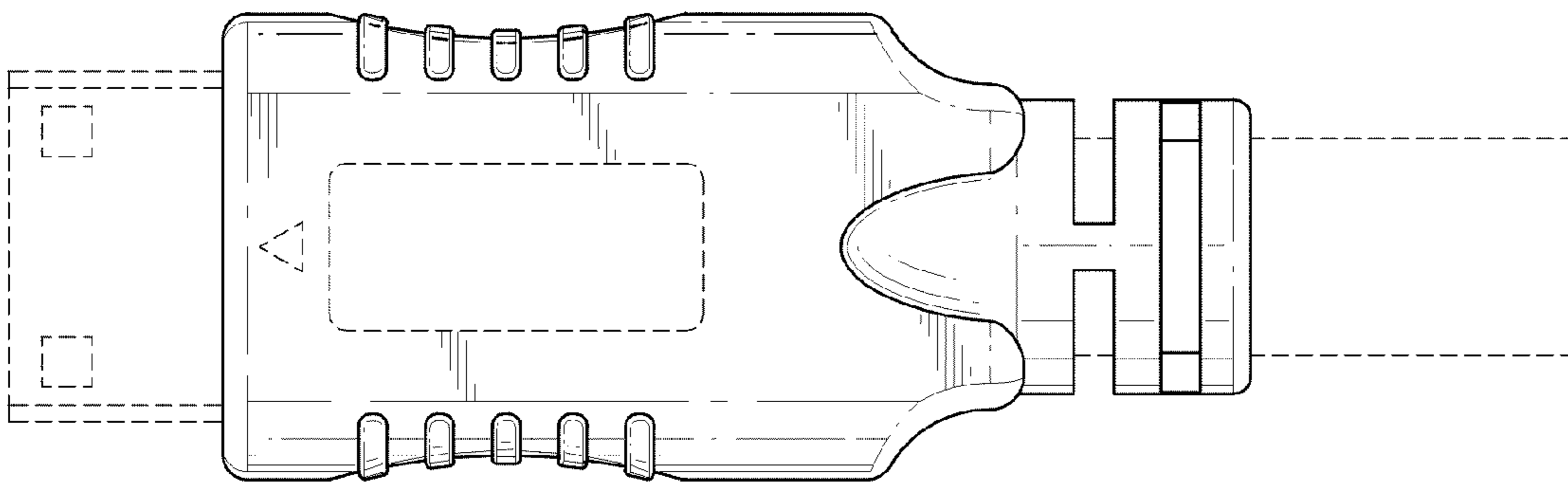


FIG. 10

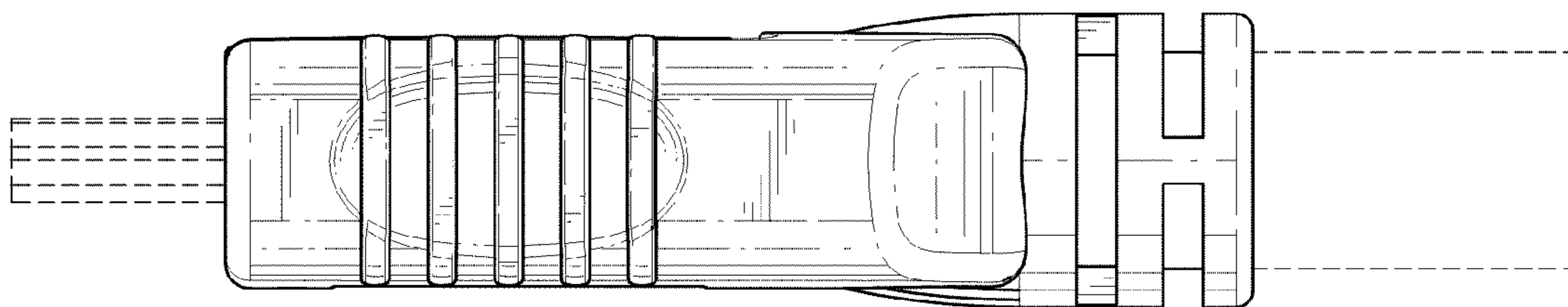


FIG. 11

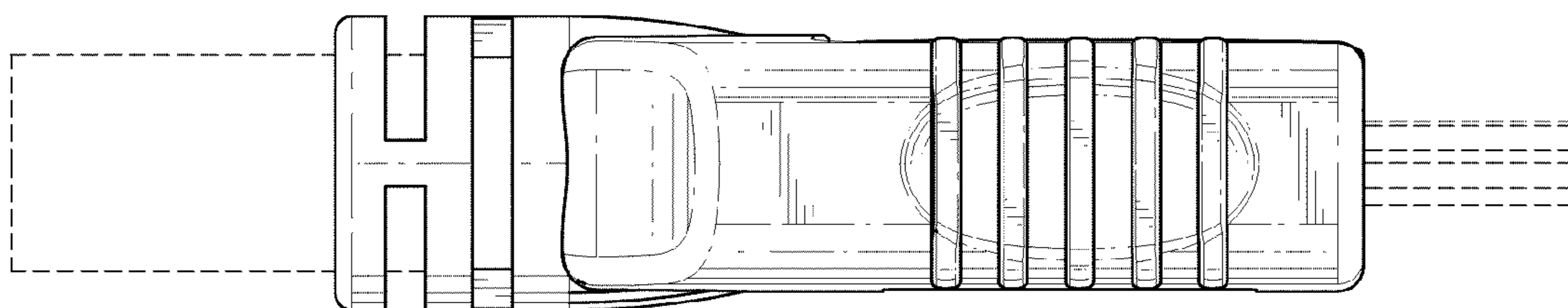


FIG. 12

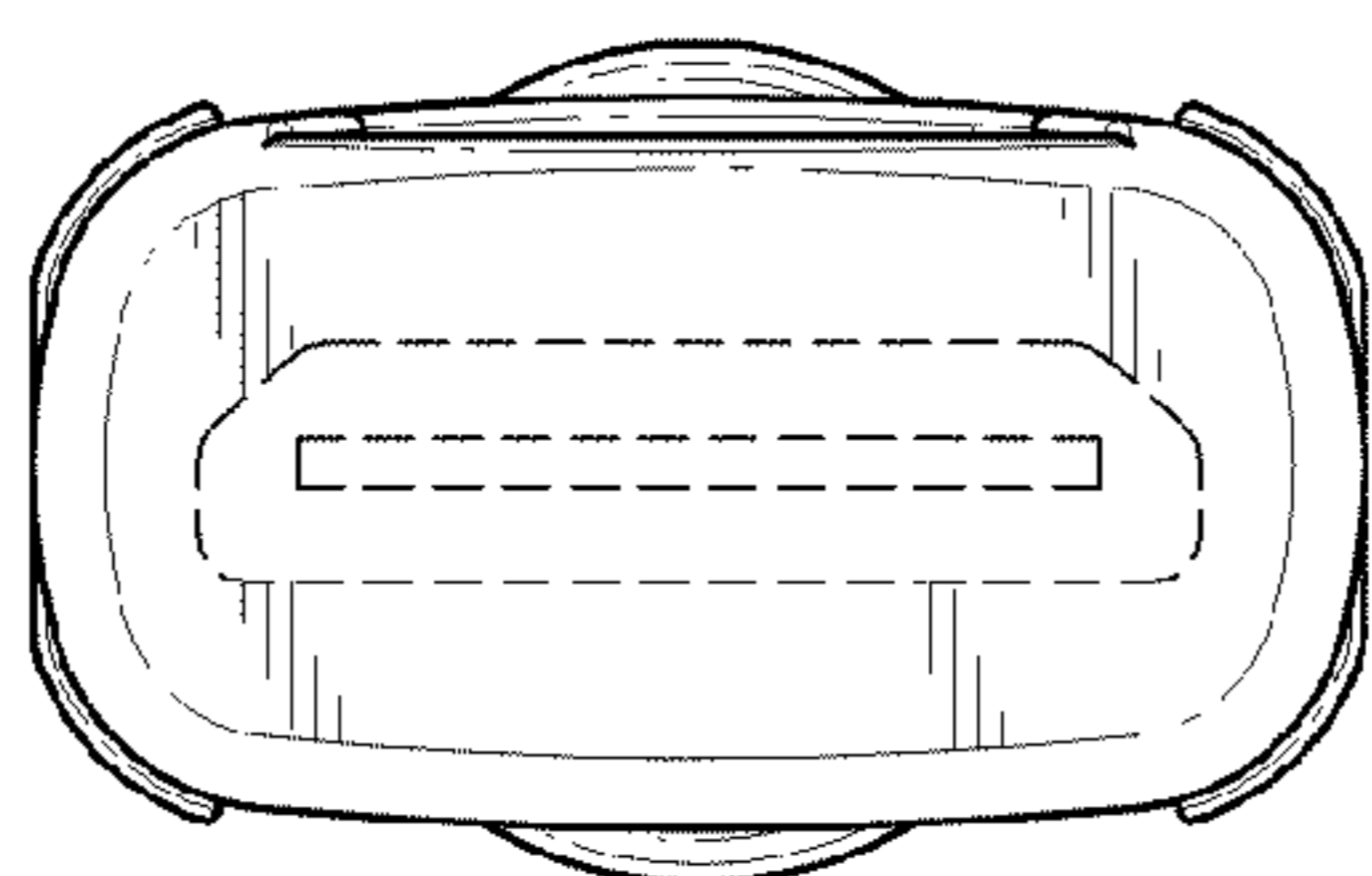


FIG. 13

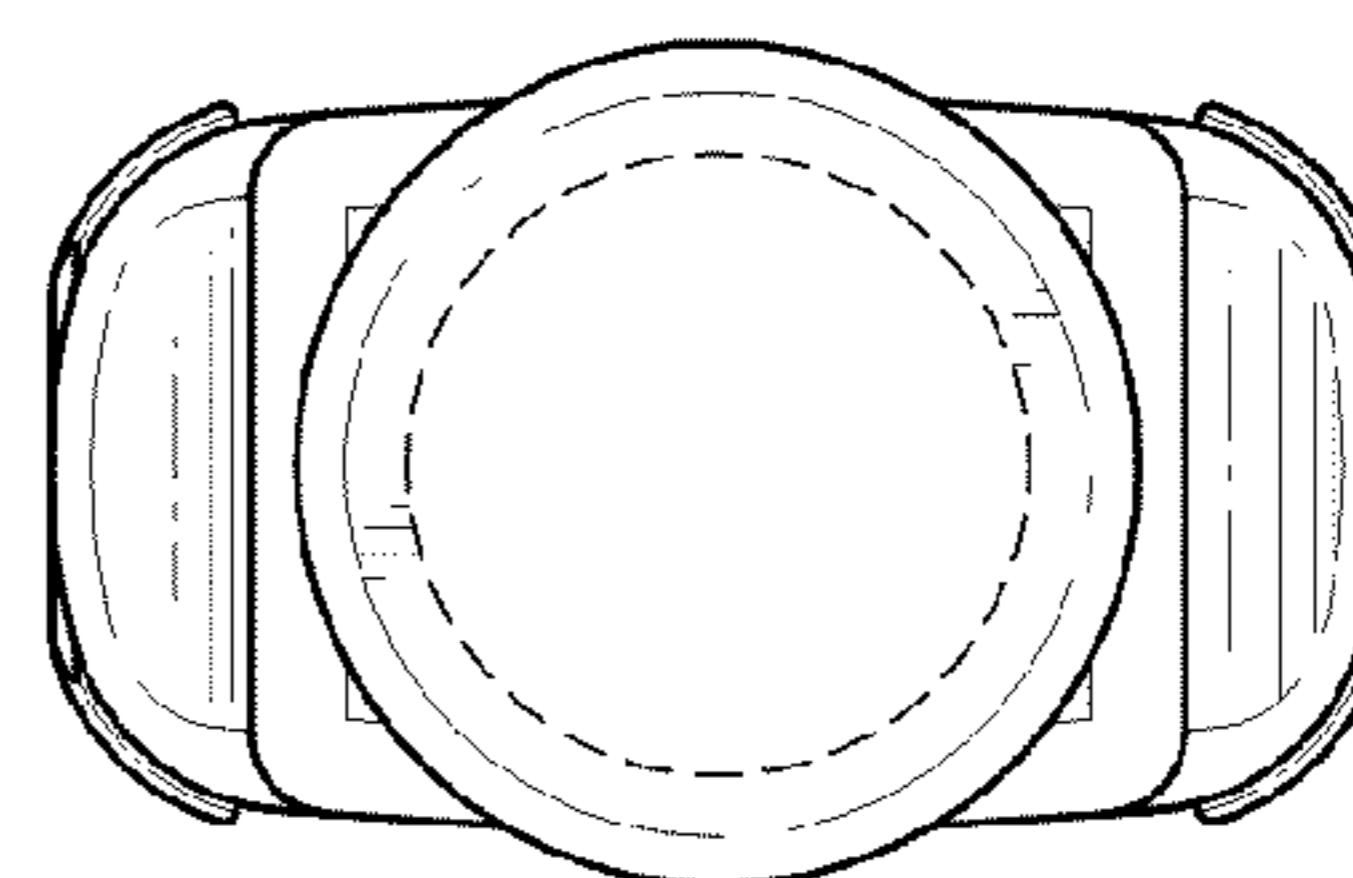


FIG. 14

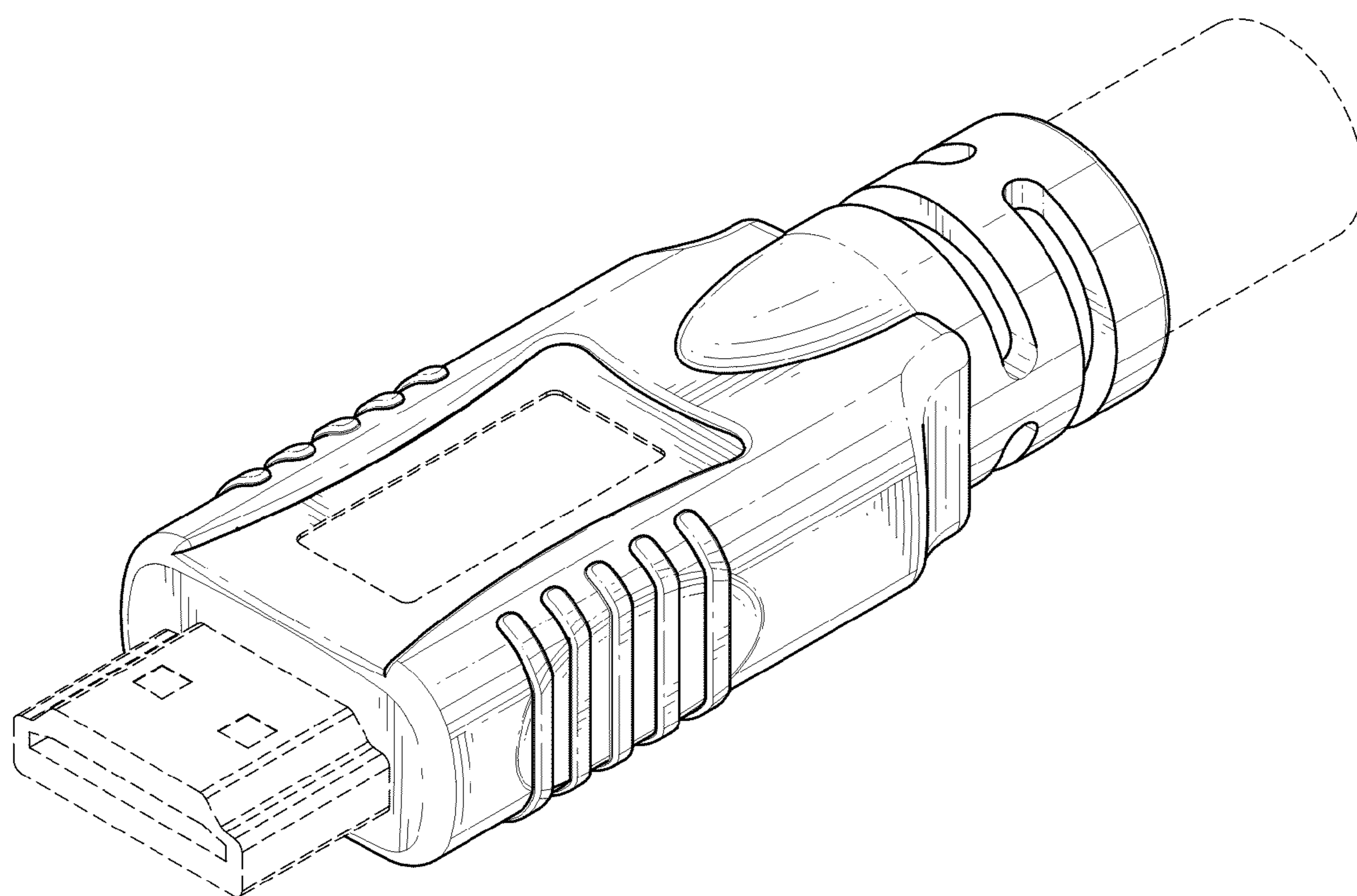


FIG. 15

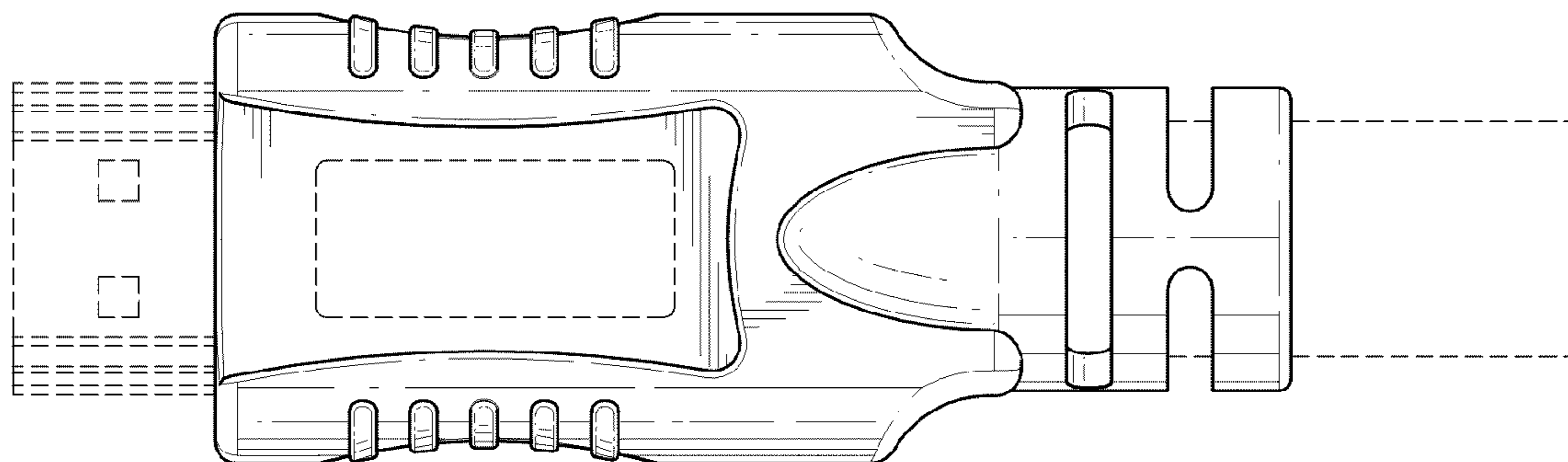


FIG. 16

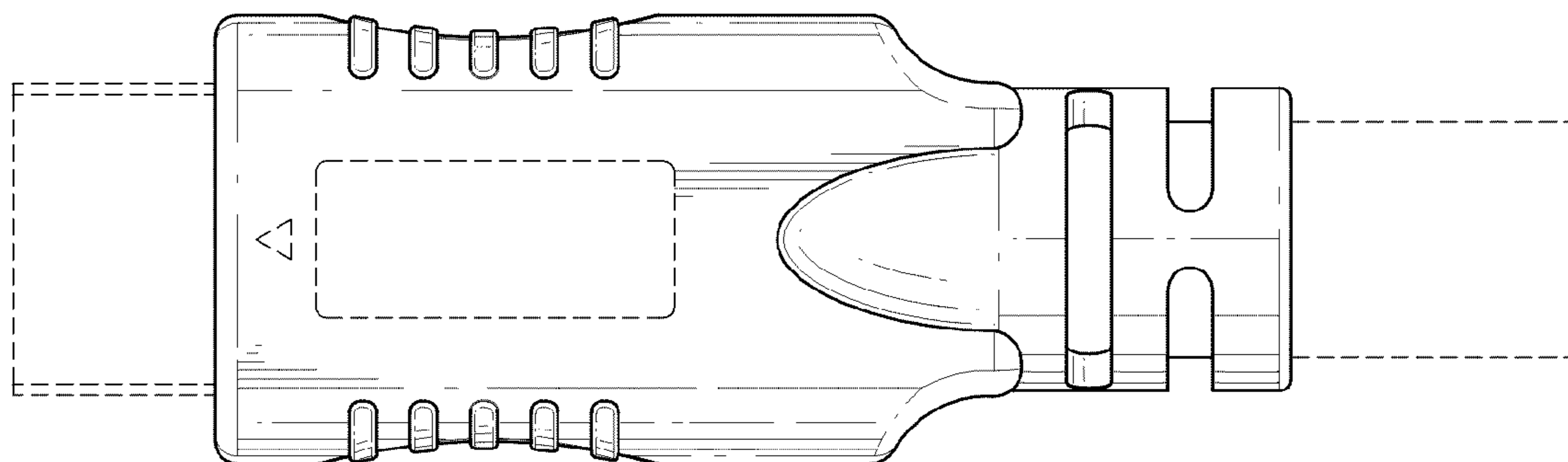


FIG. 17

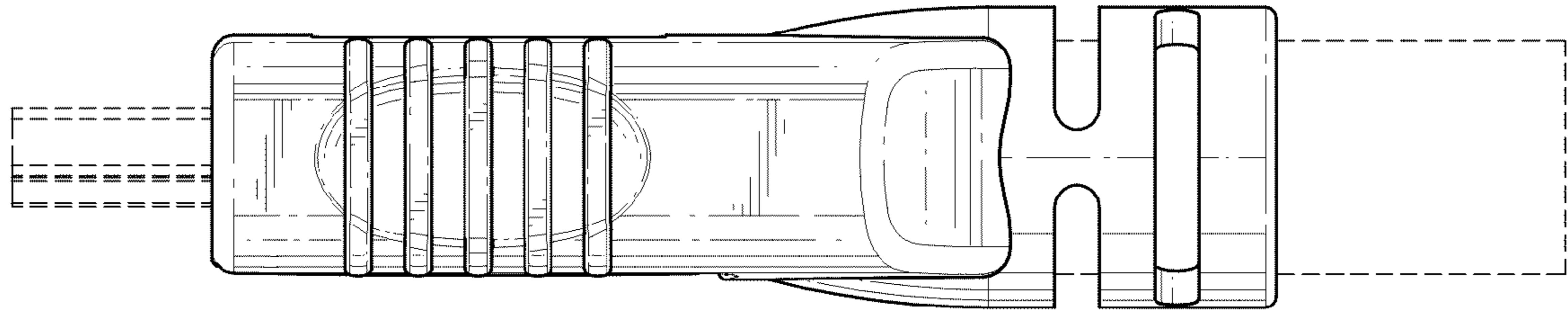


FIG. 18

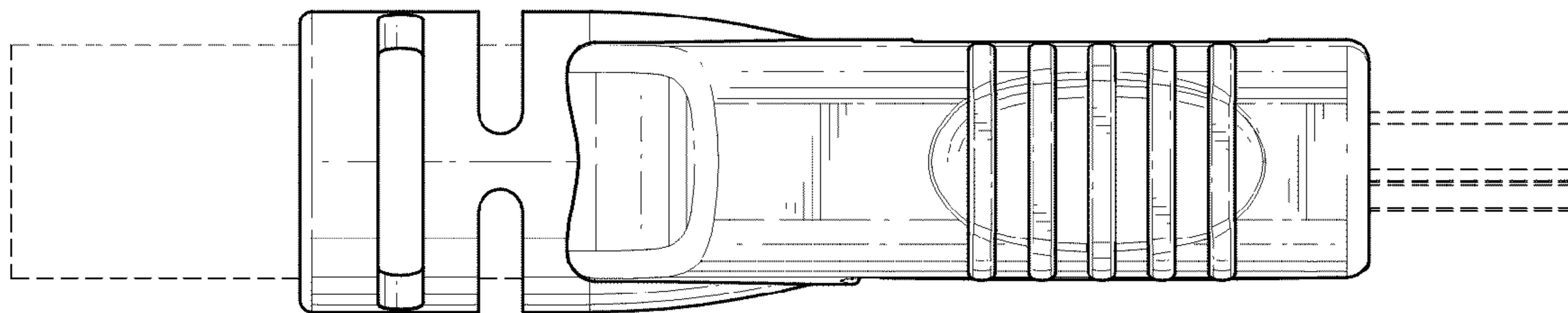


FIG. 19

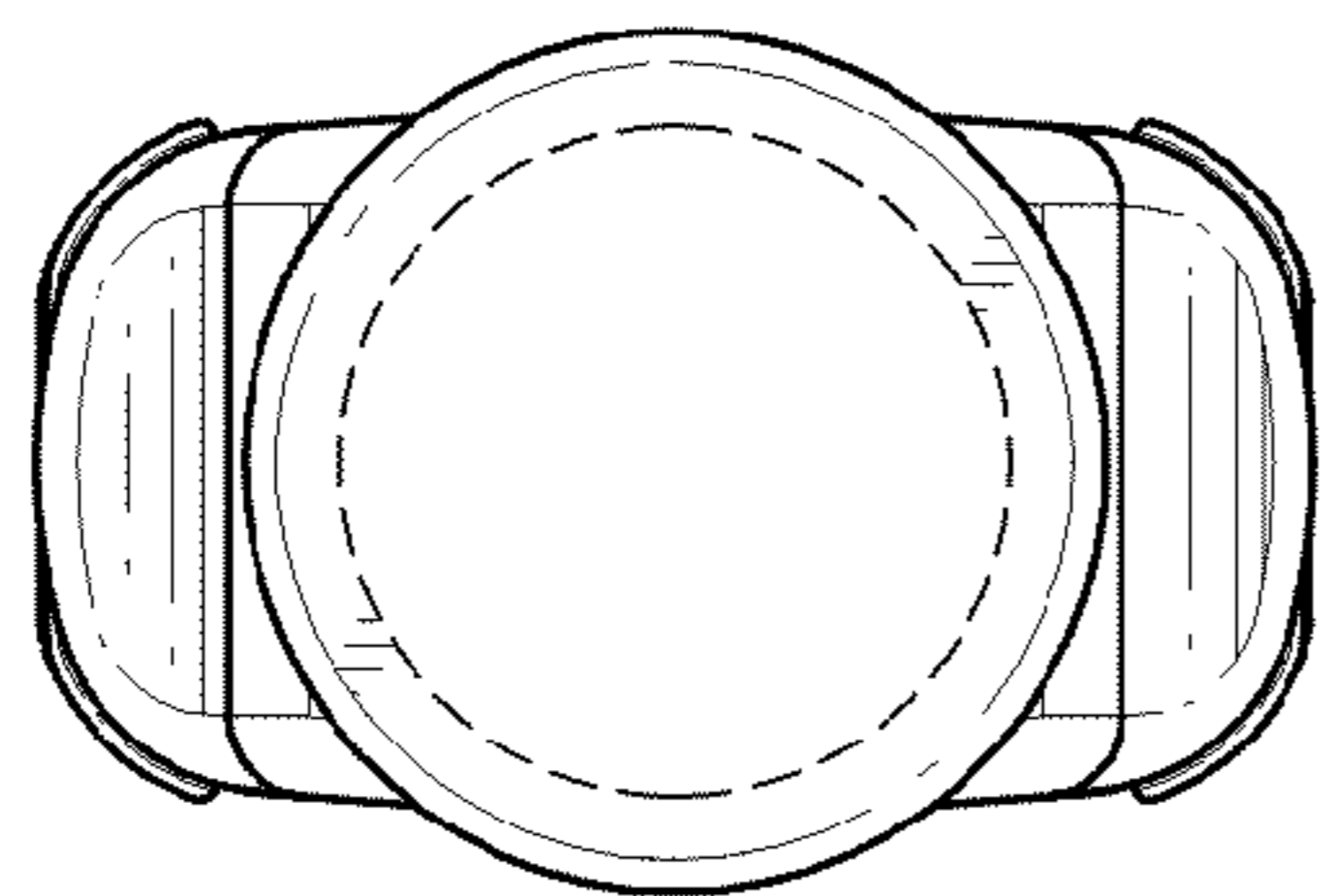


FIG. 20

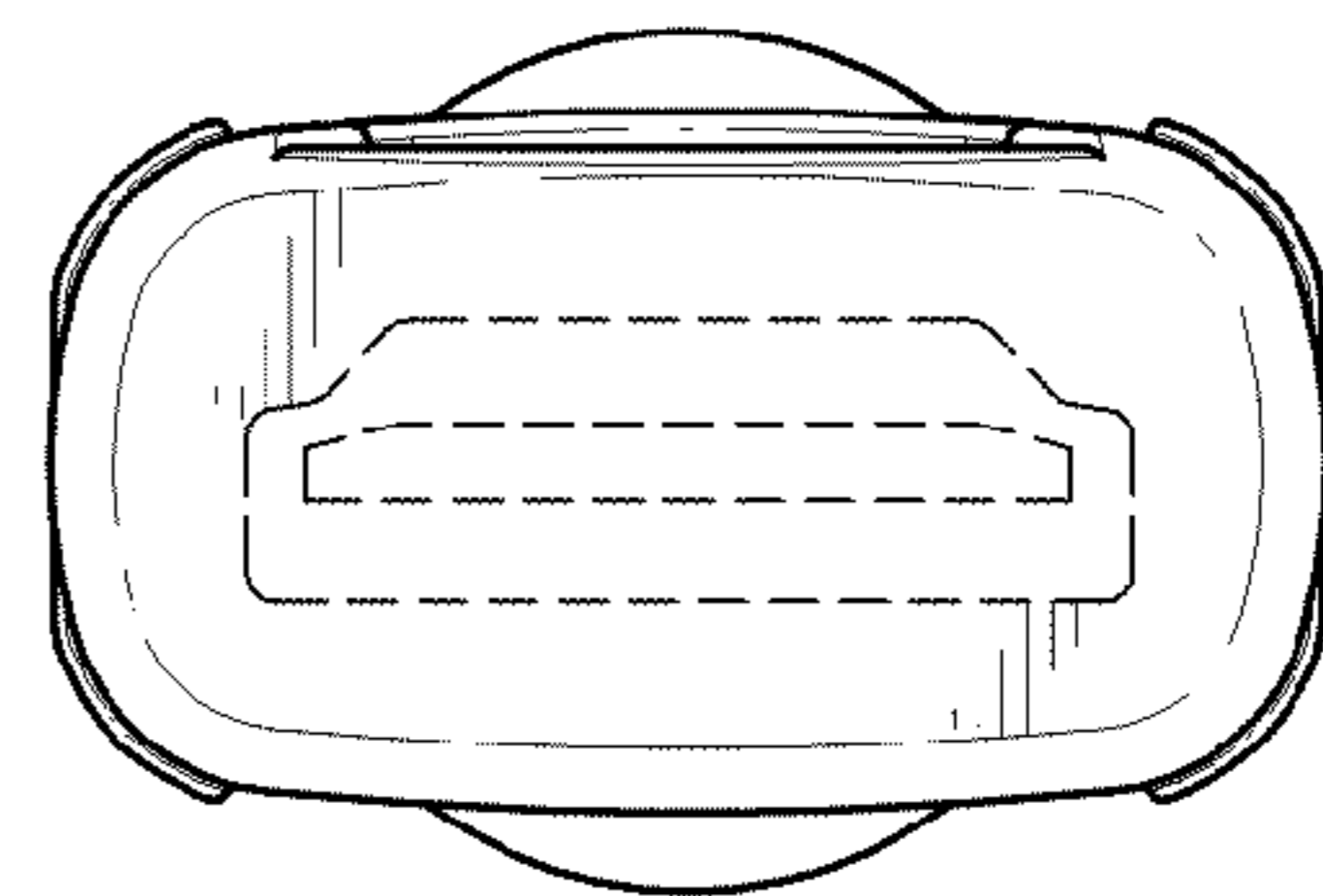


FIG. 21