



US00D644179S

(12) **United States Design Patent**
Dobler

(10) **Patent No.:** **US D644,179 S**

(45) **Date of Patent:** **** *Aug. 30, 2011**

(54) **CONNECTOR**

(75) Inventor: **Oliver Dobler**, Tschagguns (AT)

(73) Assignee: **Neutrik Aktiengesellschaft**, Schaan (LI)

(**) Term: **14 Years**

(21) Appl. No.: **29/288,955**

(22) Filed: **Jun. 28, 2007**

(30) **Foreign Application Priority Data**

Jan. 10, 2007 (EM) 000 649 025

(51) **LOC (9) Cl.** **13-03**

(52) **U.S. Cl.** **D13/133**

(58) **Field of Classification Search** D13/133,
D13/154, 146, 147, 151, 184, 199, 153; 439/68,
439/73, 135, 260, 329, 331, 492, 495, 526,
439/570, 862, 155, 460, 578, 597, 600, 660,
439/668, 680

See application file for complete search history.

(56) **References Cited**

U.S. PATENT DOCUMENTS

D310,994 S *	10/1990	Yagi et al.	D13/146
D310,996 S *	10/1990	Inaba et al.	D13/146
D311,518 S *	10/1990	Kuzuno et al.	D13/146
D317,290 S *	6/1991	Inaba et al.	D13/146
D465,458 S *	11/2002	Zhang et al.	D13/147
D466,083 S *	11/2002	Zhang et al.	D13/147
D523,401 S *	6/2006	Wang	D13/154
D575,741 S *	8/2008	Yamane	D13/133
7,540,753 B2	10/2008	Dobler		

7,494,377 B2 *	2/2009	Yohn et al.	439/460
2008/0261446 A1 *	10/2008	Arnaud et al.	439/578
2008/0268705 A1 *	10/2008	Yamane	439/578

FOREIGN PATENT DOCUMENTS

DE	10 2006 001 630 A1	7/2007
WO	WO 2007/079513	7/2007

OTHER PUBLICATIONS

Neutrik Aktiengesellschaft, "Product Guide, 1997;".

* cited by examiner

Primary Examiner — Thomas Johannes

(74) *Attorney, Agent, or Firm* — Harris Beach PLLC; Neal L. Slifkin

(57) **CLAIM**

The ornamental design of a connector, as shown and described.

DESCRIPTION

FIG. 1 is a front elevation view of a connector showing my design;

FIG. 2 is a rear elevation view thereof;

FIG. 3 is a right side elevation view thereof;

FIG. 4 is a left side elevation view thereof;

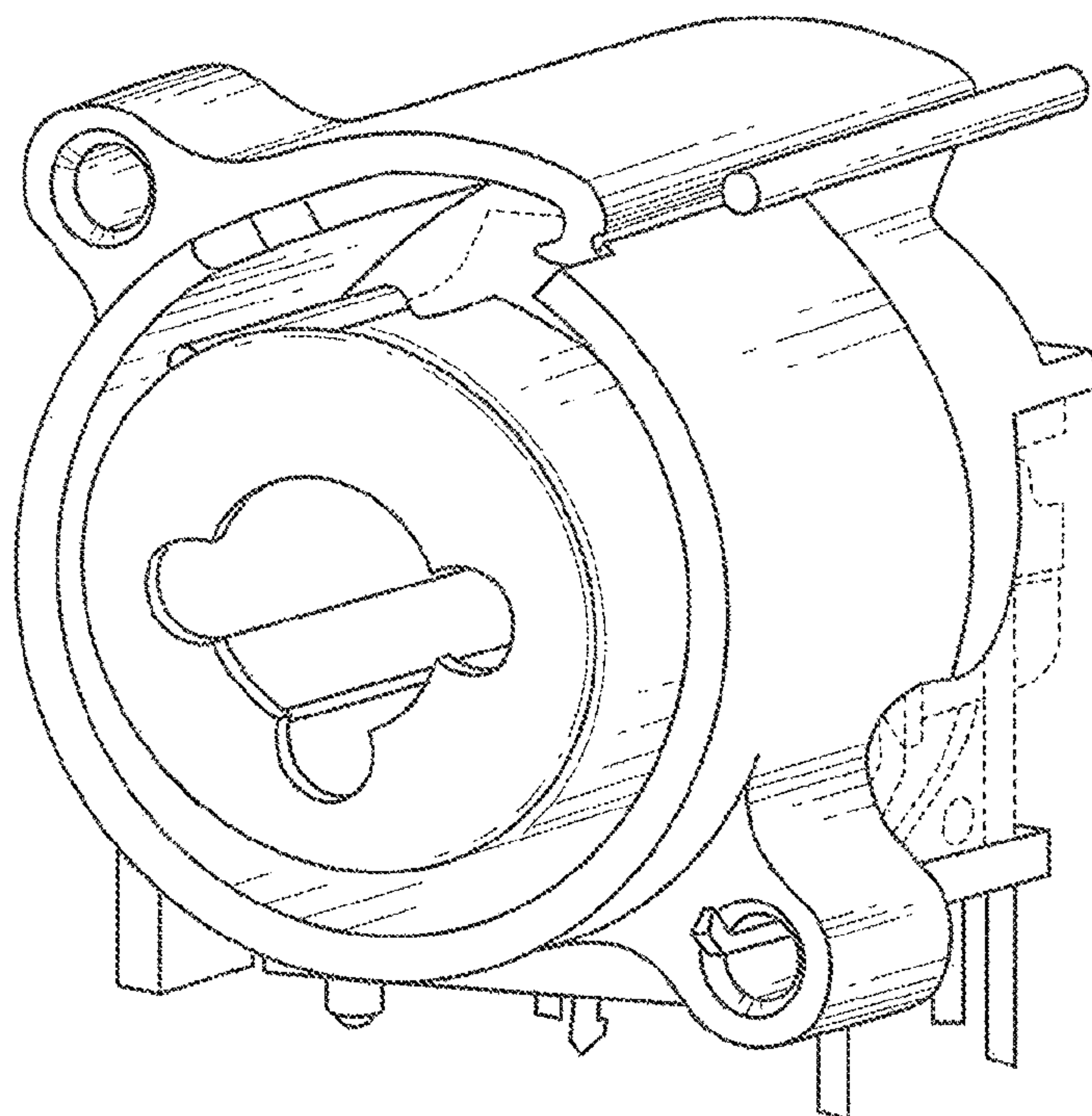
FIG. 5 is a top plan view thereof;

FIG. 6 is a bottom plan view thereof; and,

FIG. 7 is a perspective view thereof.

The broken line portion of the figure drawings is included to show unclaimed subject matter only and forms no part of the claimed design. The special dot-dash broken line defines the boundary of the claimed design and forms no part of the claimed design.

1 Claim, 4 Drawing Sheets



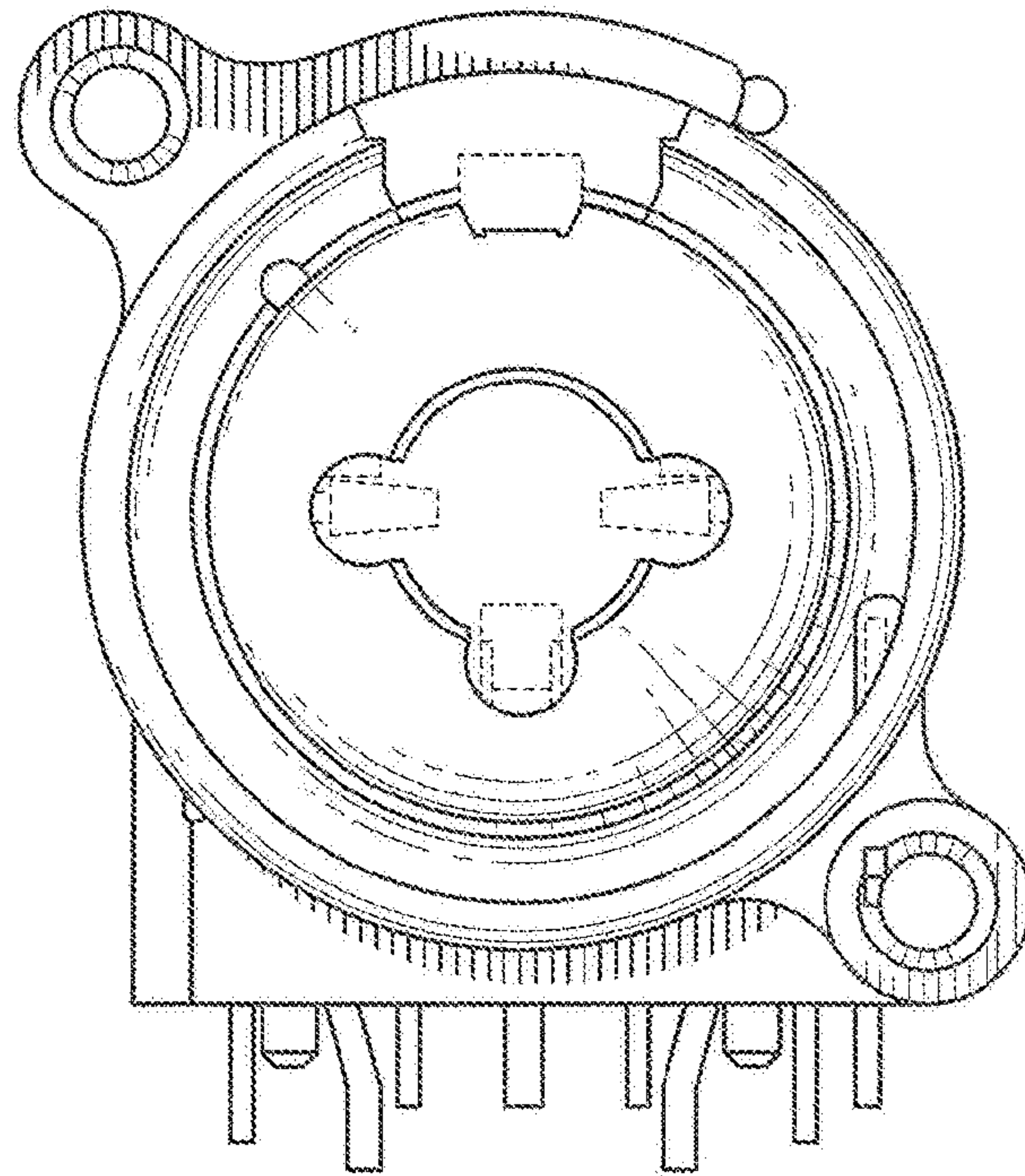


Fig. 1

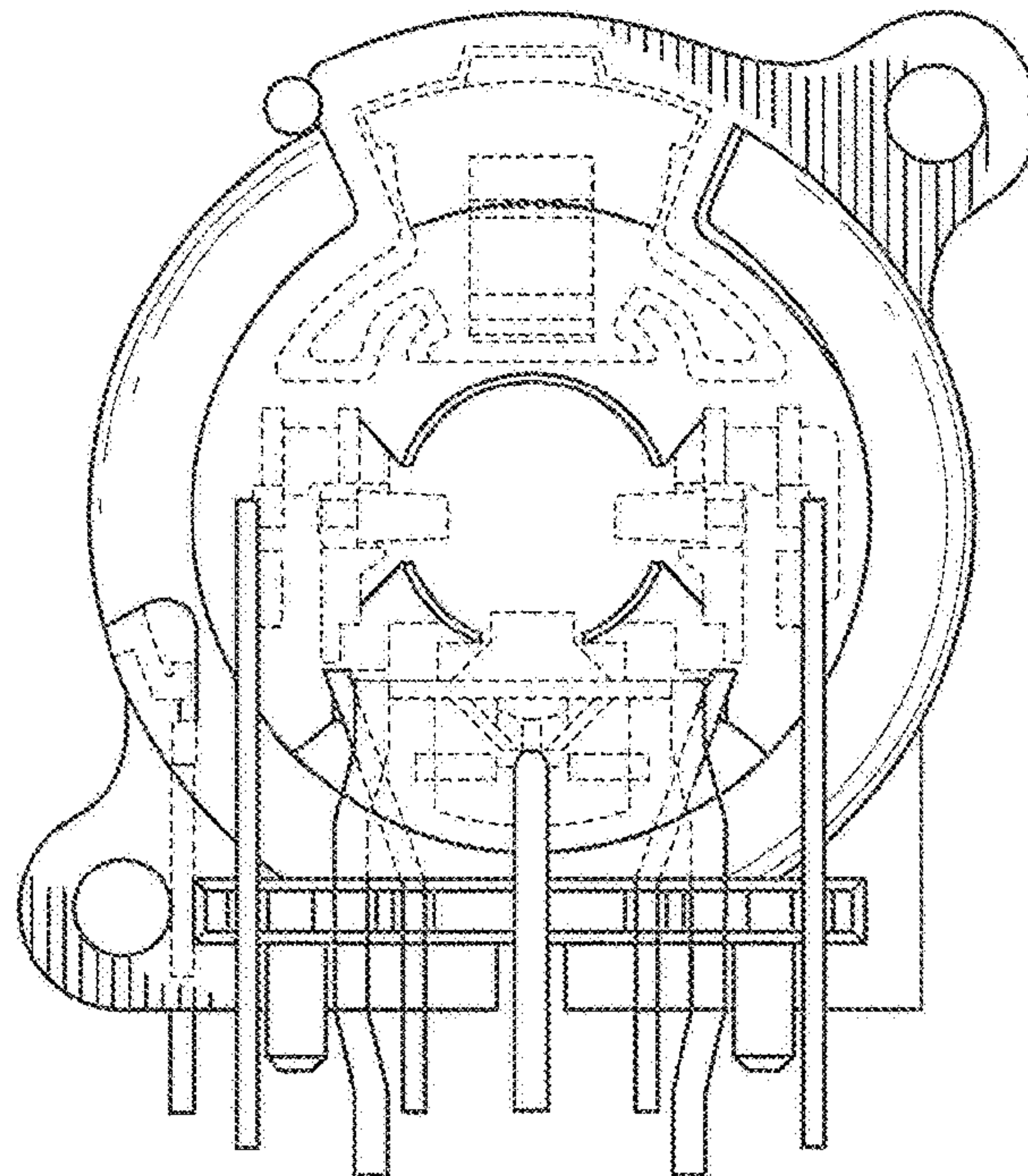


Fig. 2

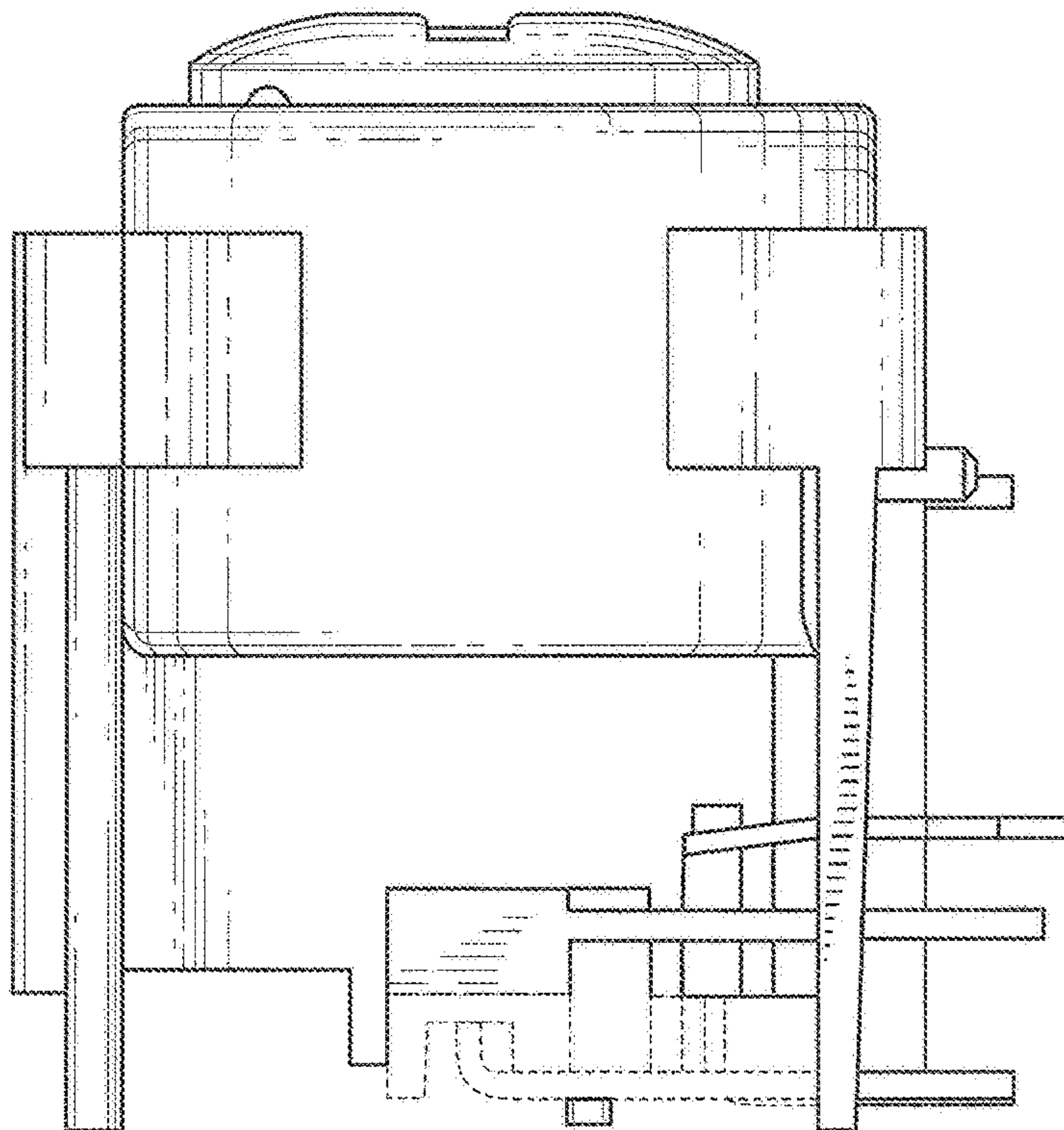


Fig. 4

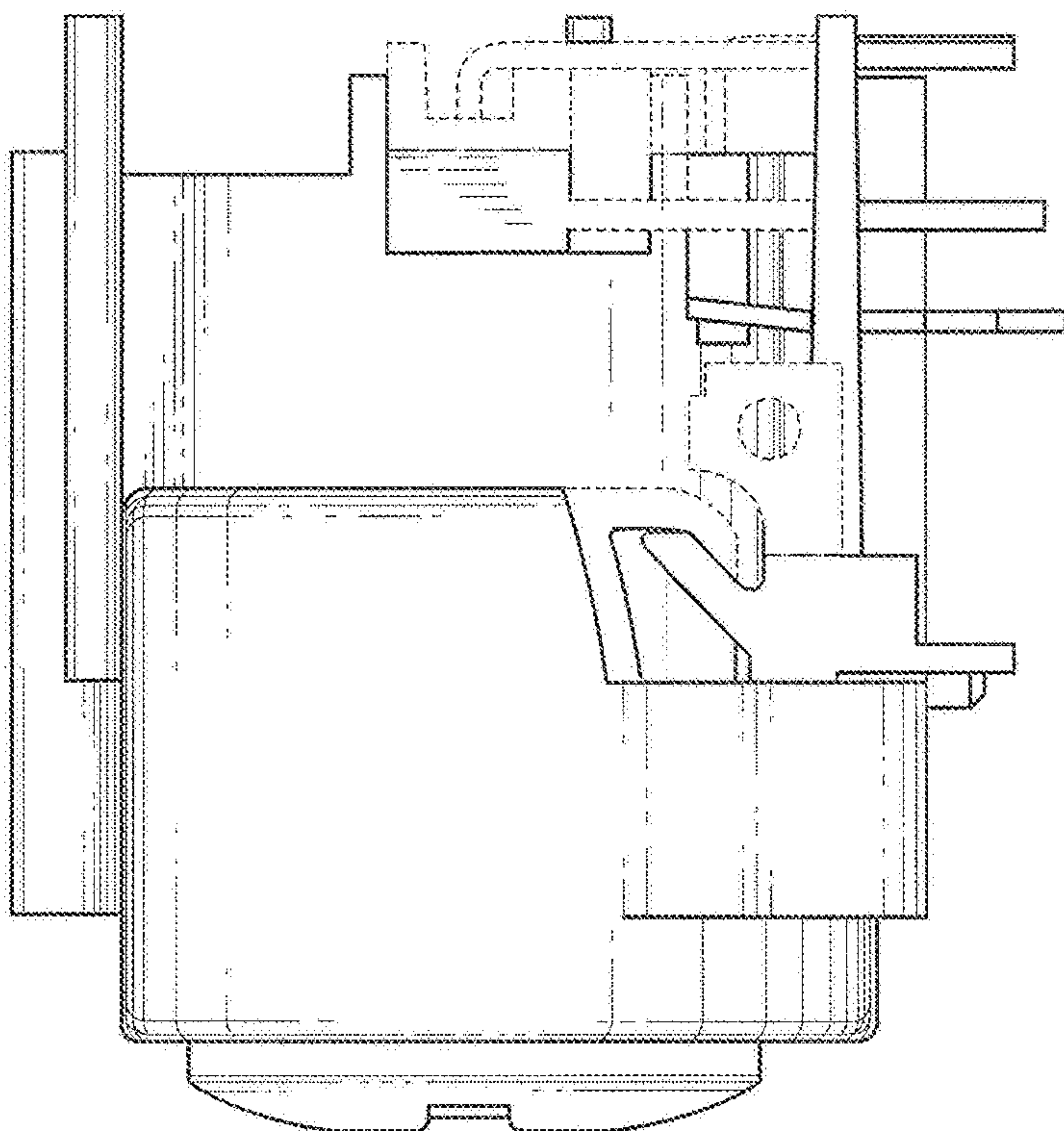


Fig. 3

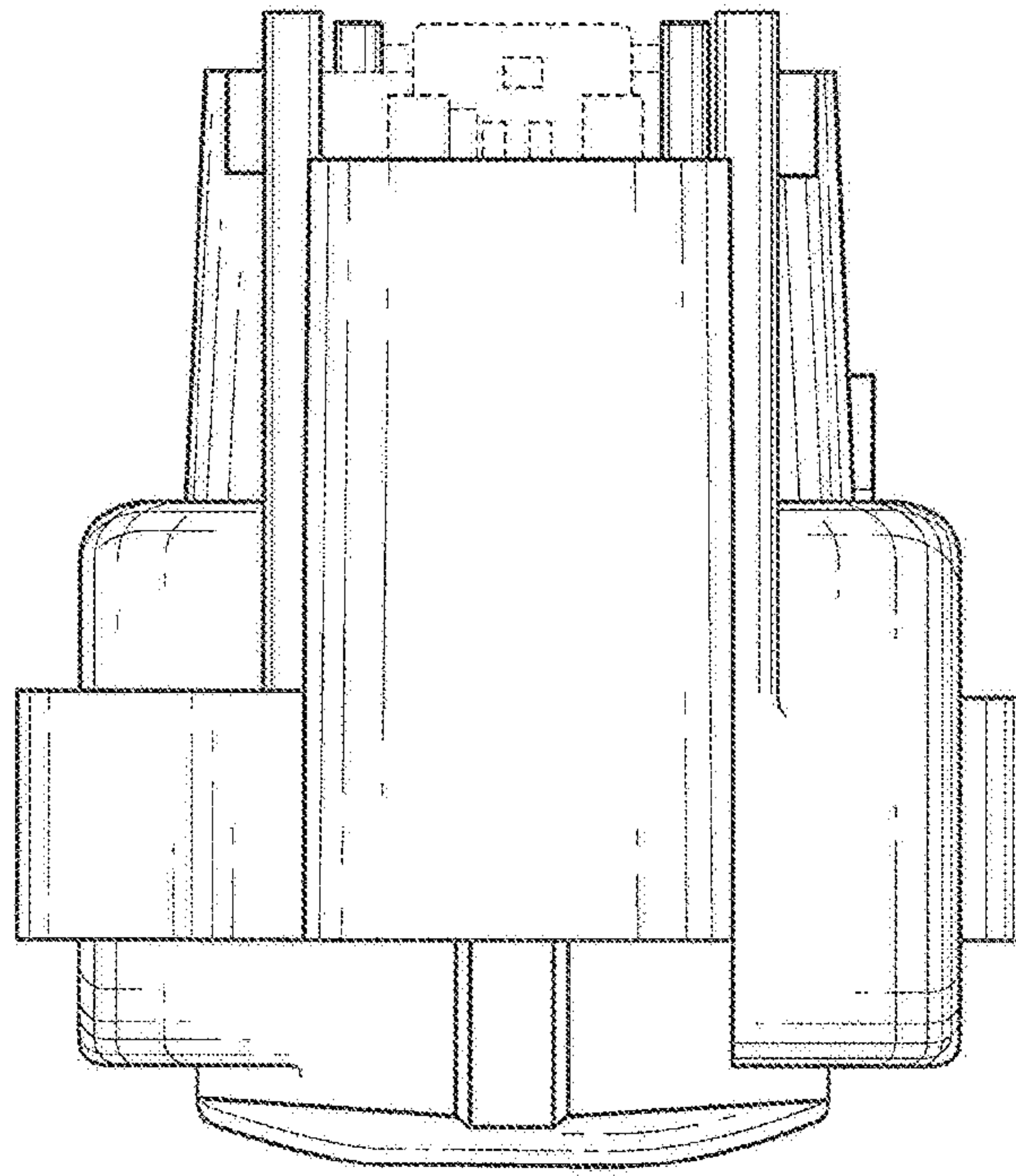


Fig. 5

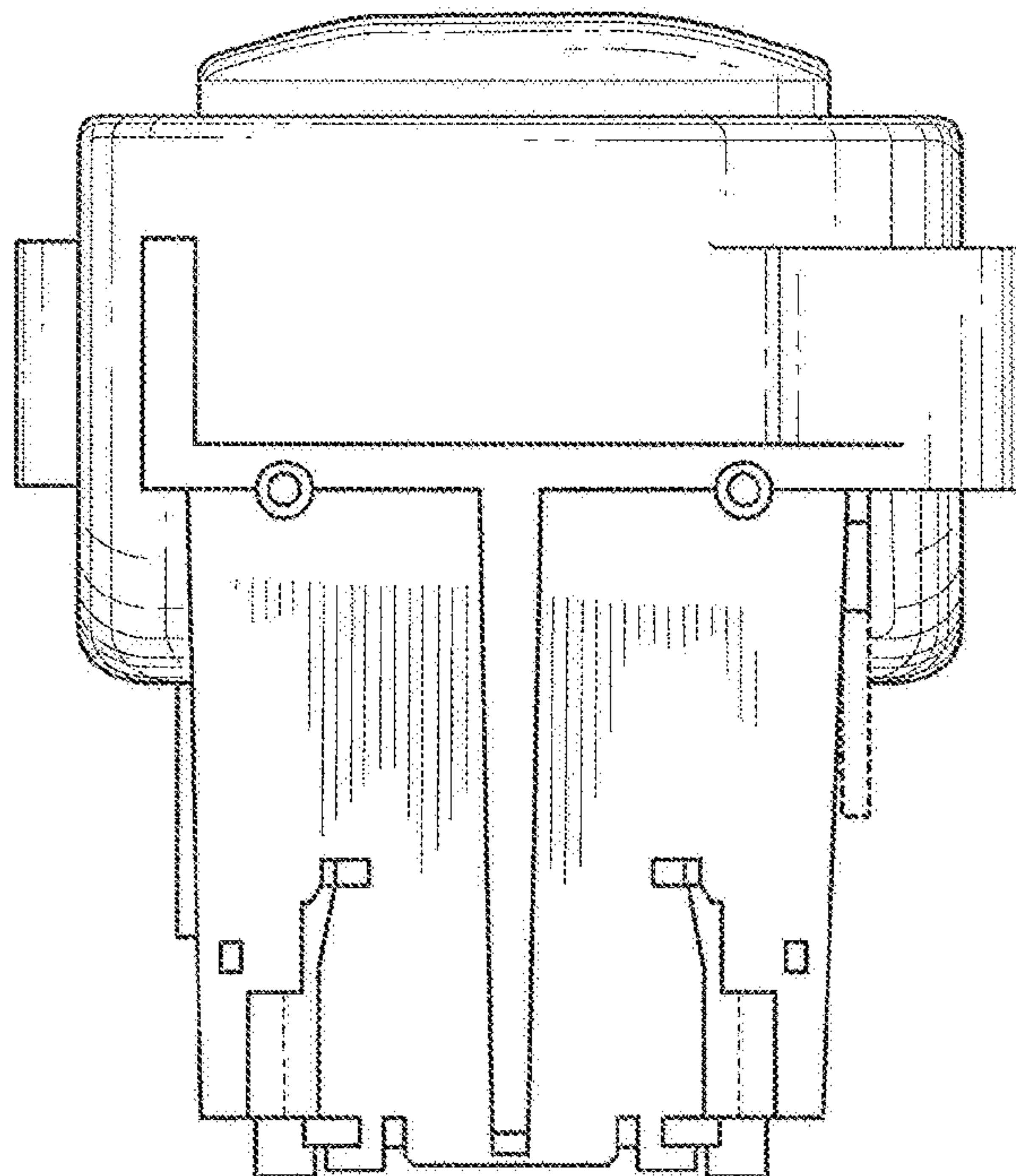


Fig. 6

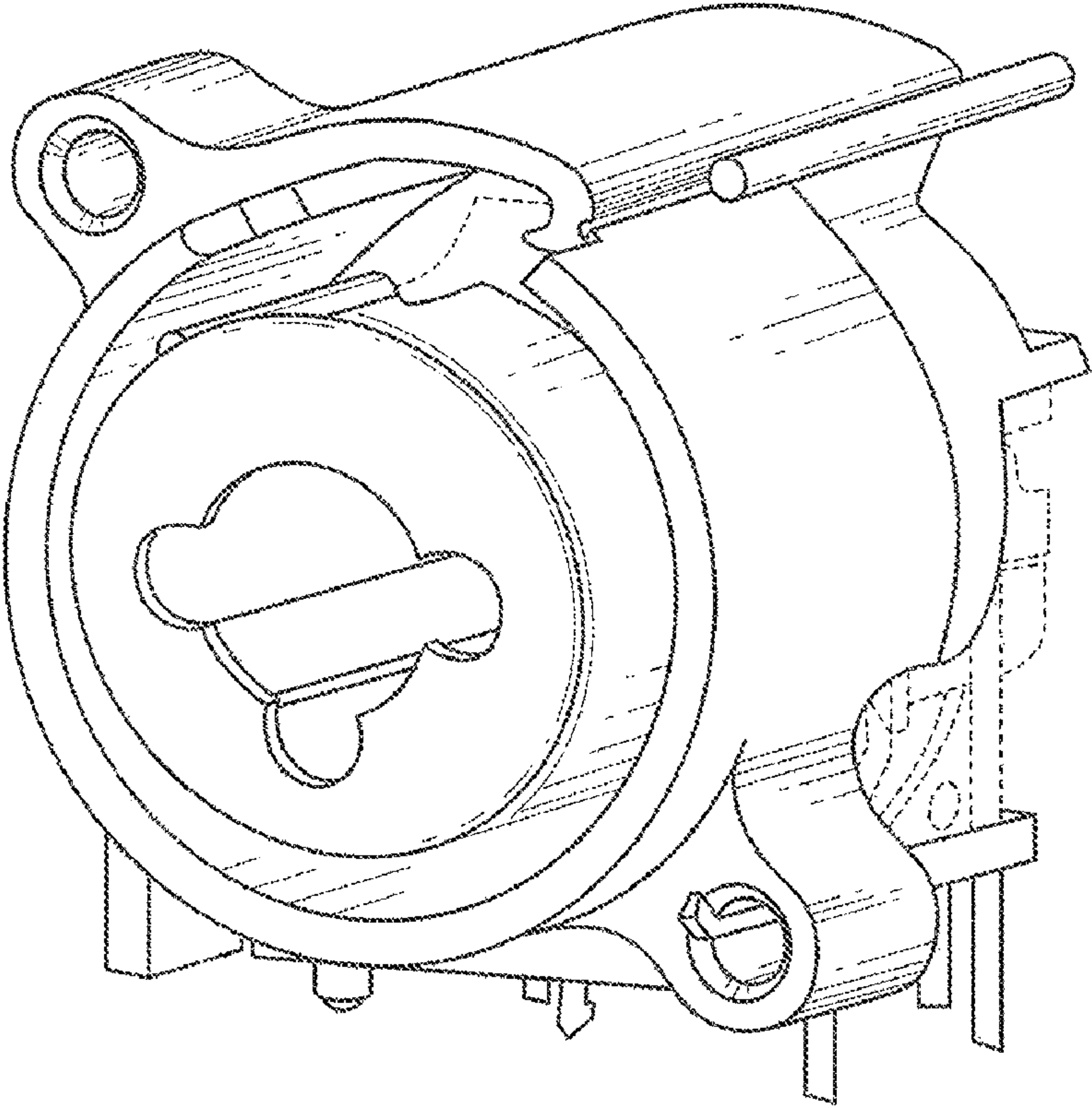


Fig. 7