

US00D644178S

(12) **United States Design Patent**  
**Sato et al.**

(10) **Patent No.:** **US D644,178 S**

(45) **Date of Patent:** **\*\* Aug. 30, 2011**

(54) **BATTERY**

(75) Inventors: **Yutaka Sato**, Hitachinaka (JP); **Ryuji Kono**, Mito (JP); **Mitsuru Koseki**, Fukaya (JP); **Hideyuki Shibamura**, Kasama (JP); **Naoki Kimura**, Hitachinaka (JP); **Keisuke Sawada**, Hitachinaka (JP); **Fujio Hirano**, Hiratsuka (JP); **Takuro Tsunaki**, Mito (JP); **Takenori Ishizu**, Hitachinaka (JP); **Kiyoyuki Sekine**, Yuki (JP); **Kinya Aota**, Hitachi (JP); **Kouichi Kajiwara**, Hitachinaka (JP); **Sho Saimaru**, Hitachinaka (JP)

(73) Assignee: **Hitachi Vehicle Energy, Ltd.**, Ibaraki (JP)

(\*\*) Term: **14 Years**

(21) Appl. No.: **29/385,391**

(22) Filed: **Feb. 14, 2011**

(30) **Foreign Application Priority Data**

Nov. 26, 2010 (JP) ..... 2010-028217

(51) **LOC (9) Cl.** ..... **13-02**

(52) **U.S. Cl.** ..... **D13/120**

(58) **Field of Classification Search** ..... D13/102–106, D13/110, 118–121, 133, 154, 184, 199; 429/96–100, 429/149, 151, 152, 158, 160, 163, 176, 209, 429/211, 225, 246–248, 443

See application file for complete search history.

(56) **References Cited**

U.S. PATENT DOCUMENTS

D548,699 S \* 8/2007 Eto et al. .... D13/120  
D587,646 S \* 3/2009 Ushijima et al. .... D13/103

D591,230 S \* 4/2009 Tasai ..... D13/103  
D592,129 S \* 5/2009 Masuda et al. .... D13/103  
D636,727 S \* 4/2011 Sakae ..... D13/121  
2005/0250006 A1 \* 11/2005 Kim ..... 429/160  
2010/0104939 A1 \* 4/2010 Wang et al. .... 429/160  
2010/0143786 A1 \* 6/2010 Kim ..... 429/158  
2010/0227212 A1 \* 9/2010 Kim ..... 429/158  
2011/0081568 A1 \* 4/2011 Kim et al. .... 429/158  
2011/0117420 A1 \* 5/2011 Kim et al. .... 429/158

FOREIGN PATENT DOCUMENTS

JP D 1175601 S 6/2003

OTHER PUBLICATIONS

Copending U.S. Appl. No. 29/385,390, filed Feb. 14, 2011; Sato et al.  
Copending U.S. Appl. No. 29/385,397, filed Feb. 14, 2011, Sato et al.

\* cited by examiner

*Primary Examiner* — Rosemary K Tarcza

(74) *Attorney, Agent, or Firm* — Antonelli, Terry, Stout & Kraus, LLP.

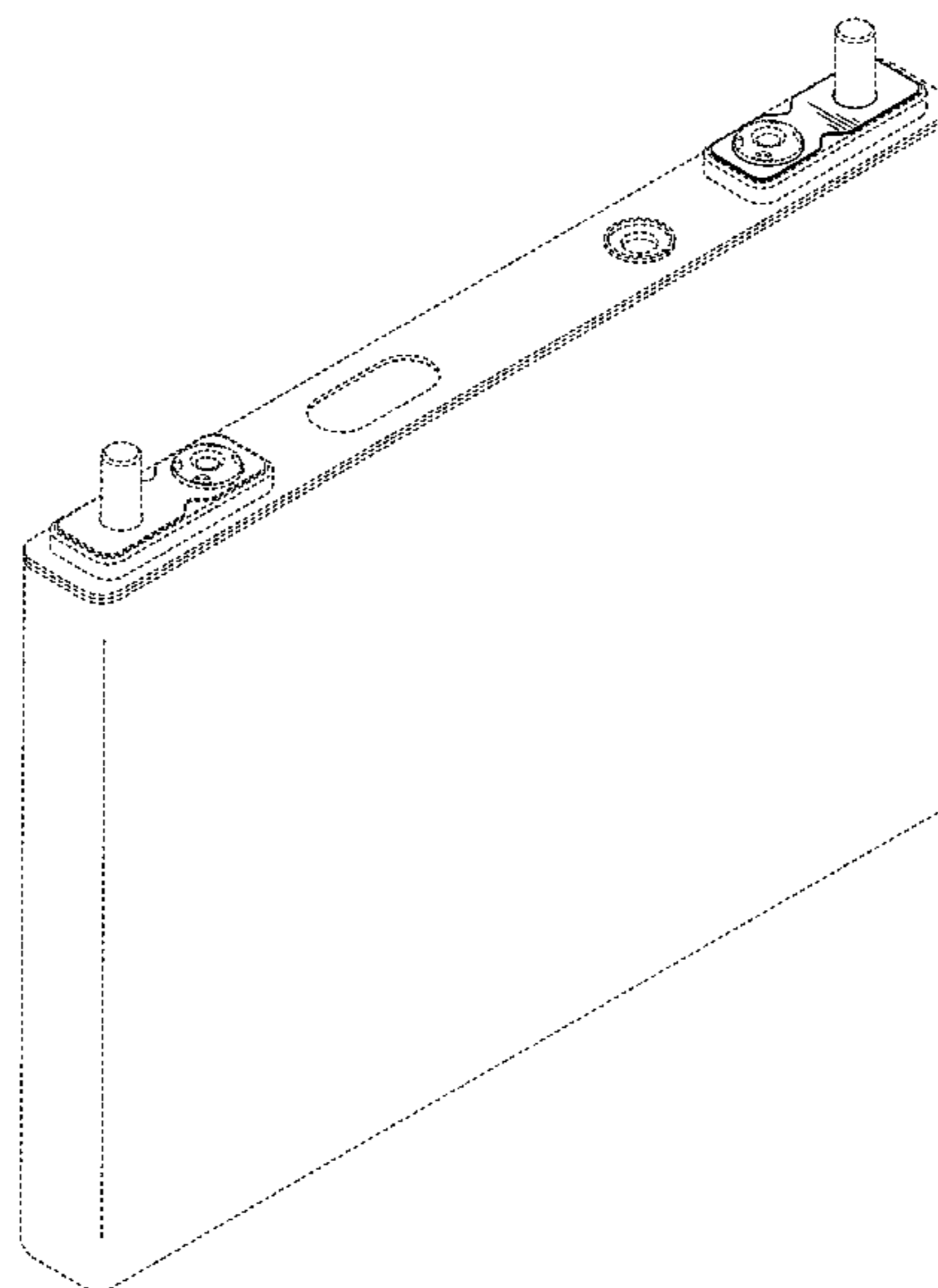
(57) **CLAIM**

We claim the ornamental design for a battery, as shown and described.

**DESCRIPTION**

FIG. 1 is a front, top and left side perspective view of a battery showing our new design;  
FIG. 2 is a front elevational view thereof;  
FIG. 3 is a rear elevational view thereof;  
FIG. 4 is a top plan view thereof;  
FIG. 5 is a bottom plan view thereof;  
FIG. 6 is a left side elevational view thereof; and,  
FIG. 7 is a right side elevational view thereof.  
The broken lines shown are for illustrative purposes only and form no part of the claimed design.

**1 Claim, 5 Drawing Sheets**



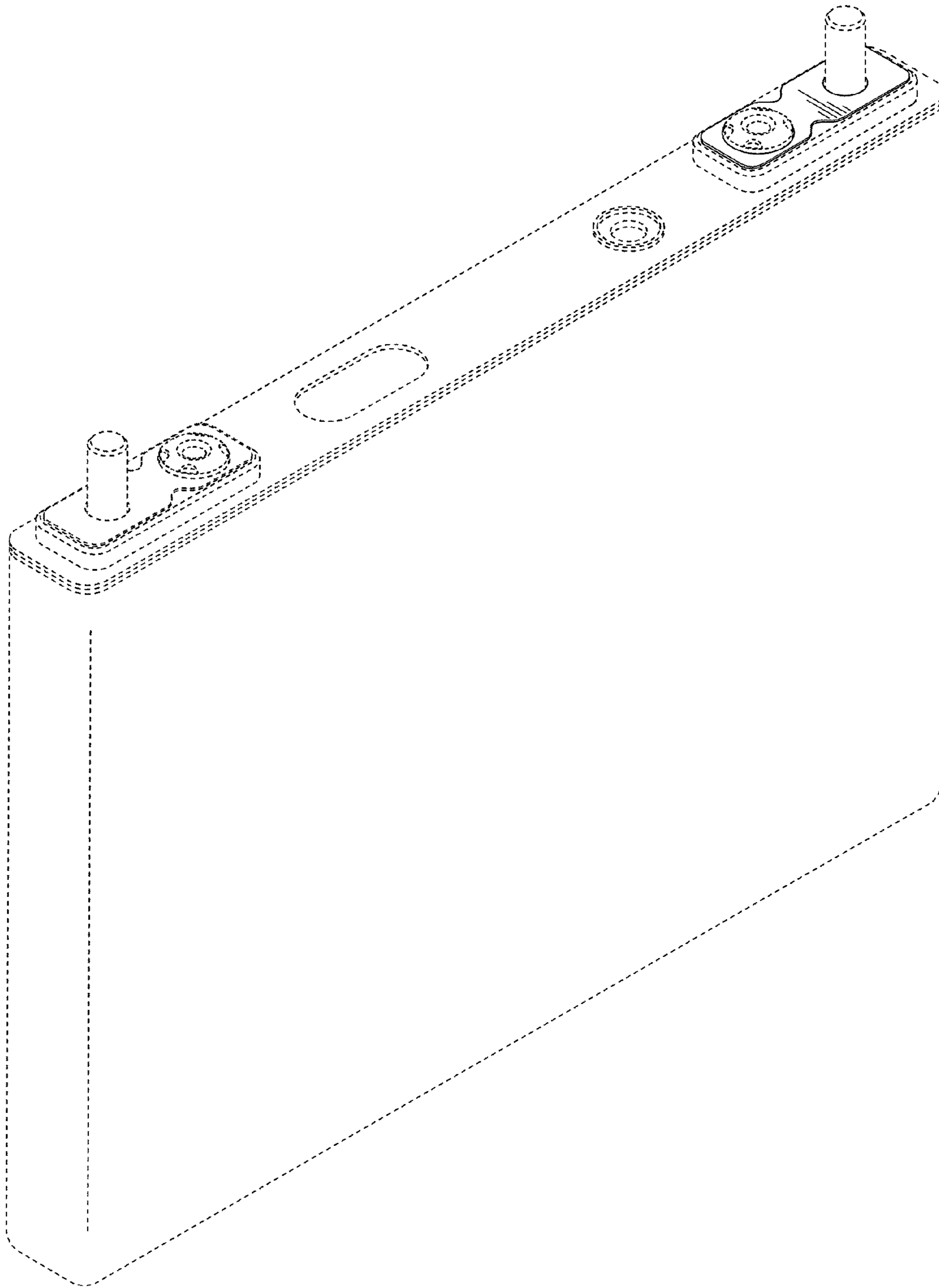


FIG. 1

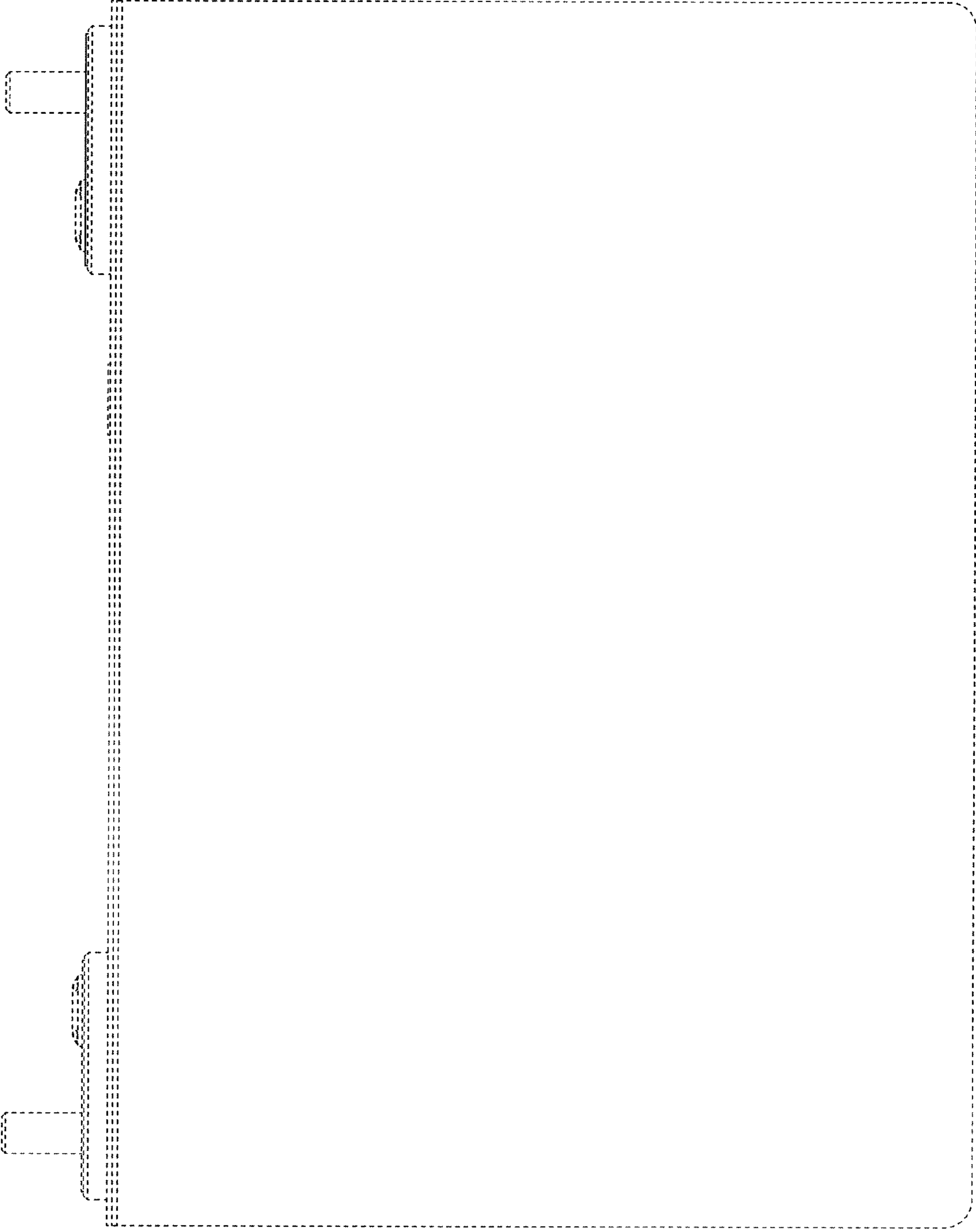


FIG. 2

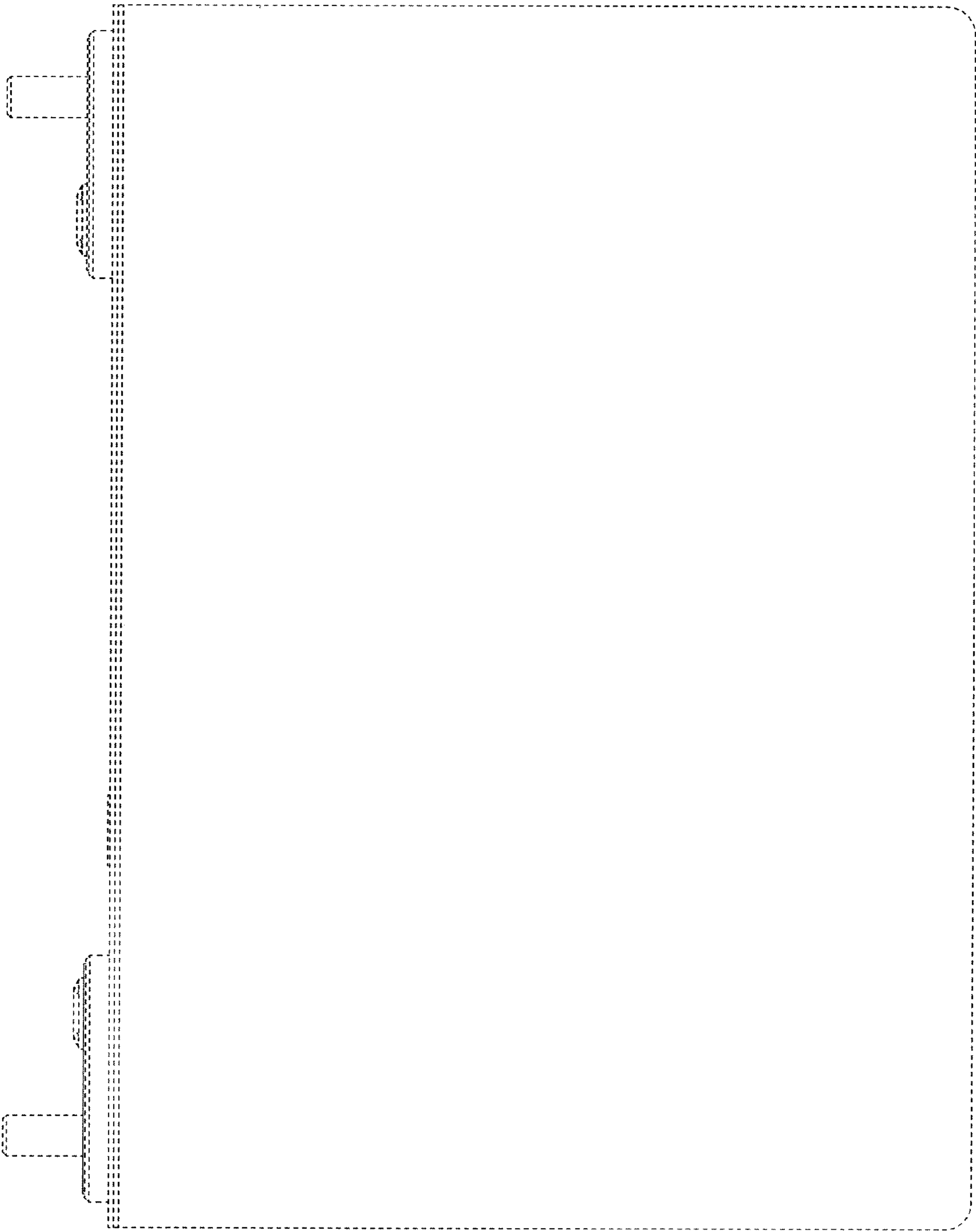
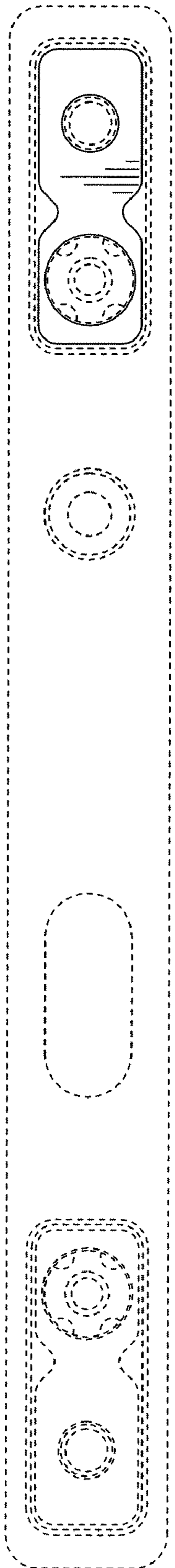
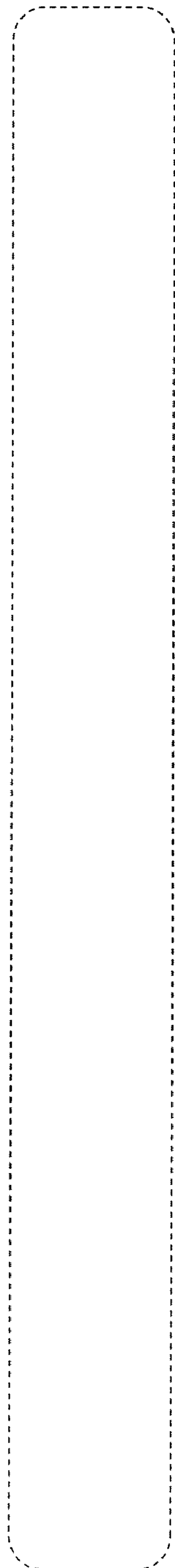


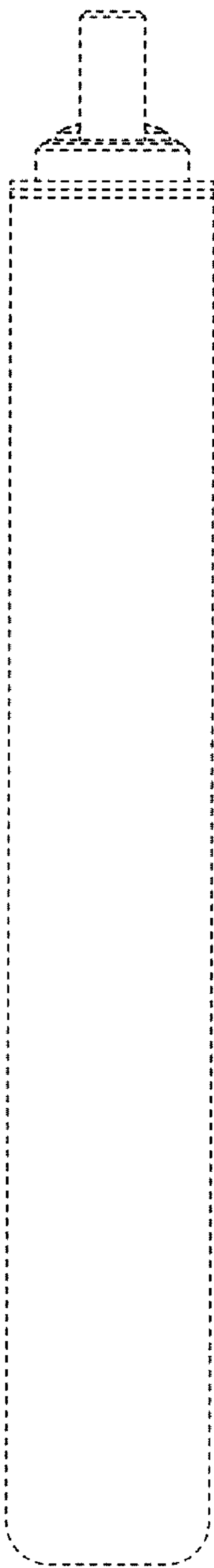
FIG. 3



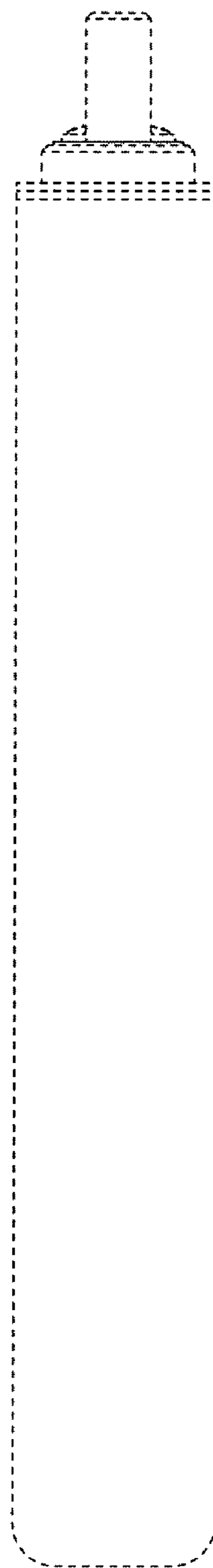
**FIG. 4**



**FIG. 5**



**FIG. 6**



**FIG. 7**