



US00D644176S

(12) **United States Design Patent**
Sato et al.

(10) **Patent No.:** **US D644,176 S**

(45) **Date of Patent:** **** Aug. 30, 2011**

(54) **BATTERY**

(75) Inventors: **Yutaka Sato**, Hitachinaka (JP); **Ryuji Kono**, Mito (JP); **Mitsuru Koseki**, Fukaya (JP); **Hidemasa Kawai**, Mito (JP); **Hideyuki Shibamura**, Kasama (JP); **Naoki Kimura**, Hitachinaka (JP); **Keisuke Sawada**, Hitachinaka (JP); **Fujio Hirano**, Hiratsuka (JP); **Takuro Tsunaki**, Mito (JP); **Takenori Ishizu**, Hitachinaka (JP); **Kiyoyuki Sekine**, Yuki (JP); **Kinya Aota**, Hitachi (JP); **Kouichi Kajiwara**, Hitachinaka (JP); **Sho Saimaru**, Hitachinaka (JP)

(73) Assignee: **Hitachi Vehicle Energy, Ltd.**, Ibaraki (JP)

(**) Term: **14 Years**

(21) Appl. No.: **29/385,397**

(22) Filed: **Feb. 14, 2011**

(30) **Foreign Application Priority Data**

Nov. 26, 2010 (JP) 2010-028218

(51) **LOC (9) Cl.** **13-02**

(52) **U.S. Cl.** **D13/119**

(58) **Field of Classification Search** D13/102–106, D13/110, 118–121, 133, 154, 184, 199; 429/96–100, 429/149, 151, 152, 158, 160, 163, 176, 209, 429/211, 225, 246–248, 443

See application file for complete search history.

(56) **References Cited**

U.S. PATENT DOCUMENTS

D503,674 S * 4/2005 Huey D13/103
D503,679 S * 4/2005 Andre et al. D13/110
D504,112 S * 4/2005 Suckle et al. D13/110

D592,129 S 5/2009 Masuda et al.
D622,213 S * 8/2010 Nomi et al. D13/103
2003/0131880 A1 7/2003 Marubayashi et al.
2004/0191612 A1 * 9/2004 Akita et al. 429/94
2005/0118501 A1 * 6/2005 Hashimoto et al. 429/180
2009/0291358 A1 * 11/2009 Boegelein et al. 429/100
2010/0003595 A1 * 1/2010 Issaev et al. 429/163
2010/0104939 A1 * 4/2010 Wang et al. 429/160
2010/0297484 A1 * 11/2010 Kim 429/72

FOREIGN PATENT DOCUMENTS

JP D 1311934 S 10/2007

OTHER PUBLICATIONS

Copending U.S. Appl. No. 29/385,390, filed Feb. 14, 2011, Sato et al.
Copending U.S. Appl. No. 29/385,391, filed Feb. 14, 2011, Sato et al.

* cited by examiner

Primary Examiner — Rosemary K Tarcza

(74) *Attorney, Agent, or Firm* — Antonelli, Terry, Stout & Kraus, LLP.

(57) **CLAIM**

We claim the ornamental design for a battery, as shown and described.

DESCRIPTION

FIG. 1 is a front, top and left side perspective view of a battery showing our new design;

FIG. 2 is a front elevational view thereof;

FIG. 3 is a rear elevational view thereof;

FIG. 4 is a top plan view thereof;

FIG. 5 is a bottom plan view thereof;

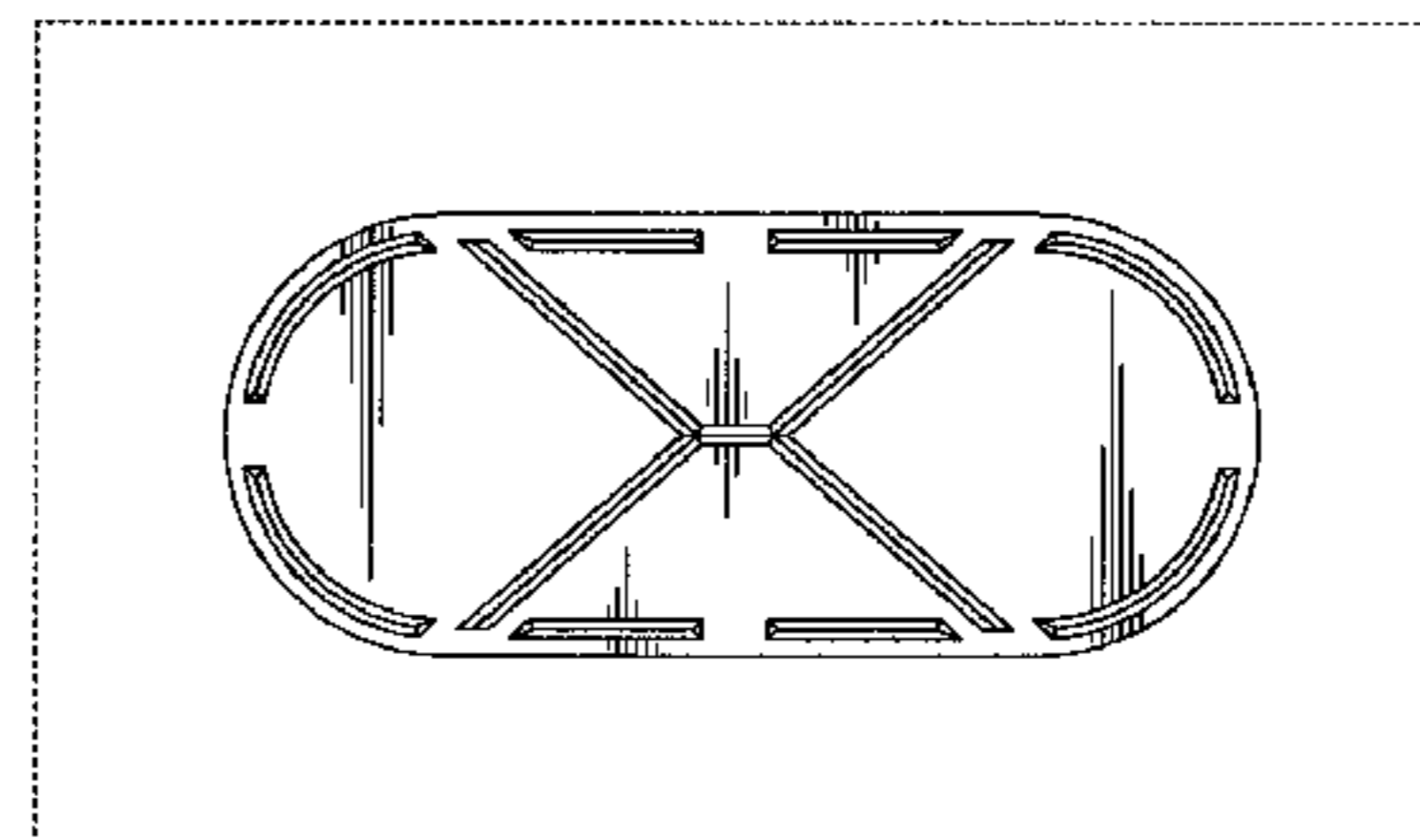
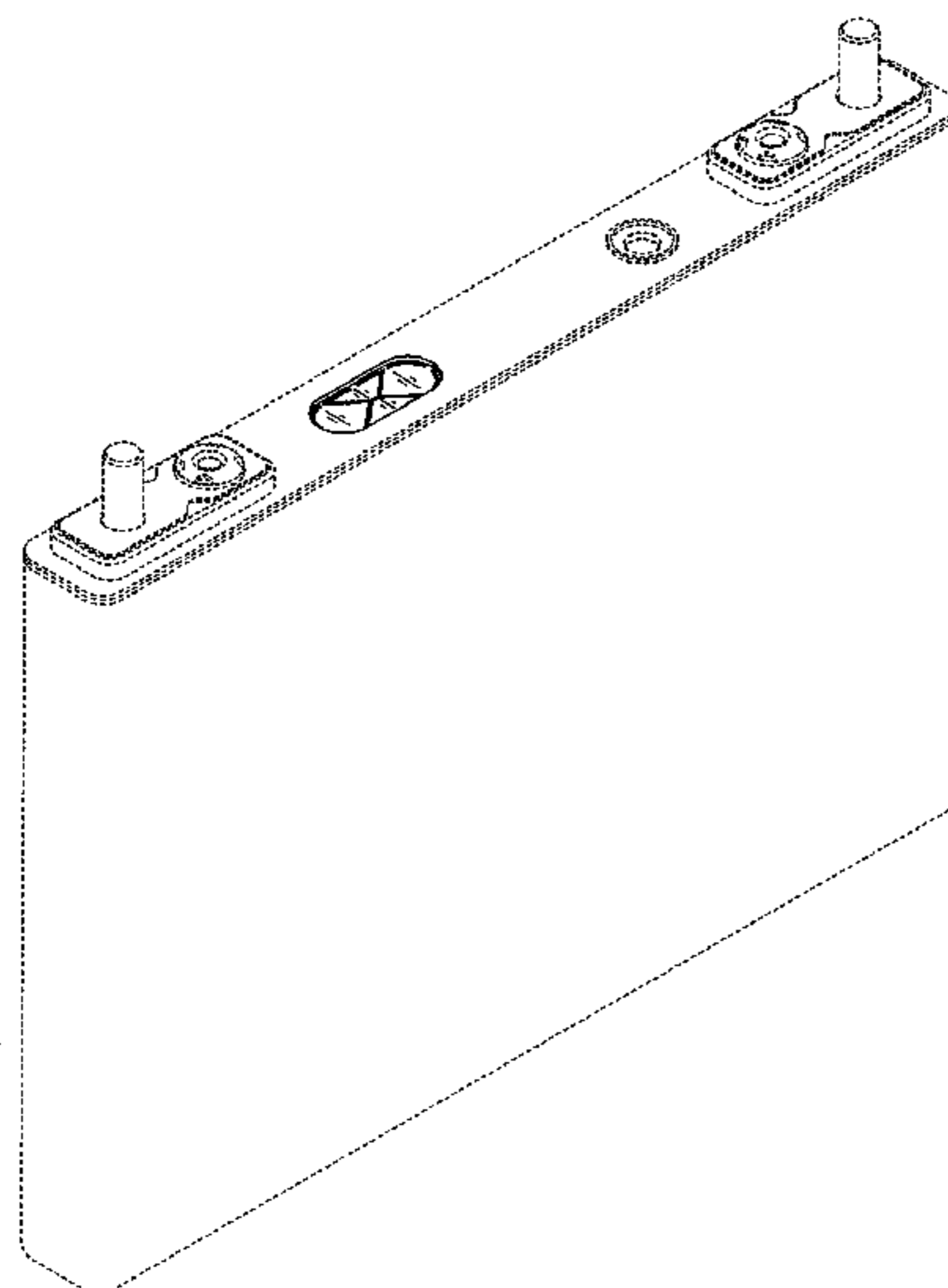
FIG. 6 is a left side elevational view thereof;

FIG. 7 is a right side elevational view thereof; and,

FIG. 8 is an enlarged view of the portion shown in box 8 in FIG. 4.

The broken lines shown are for illustrative purpose and form no part of the claimed design.

1 Claim, 6 Drawing Sheets



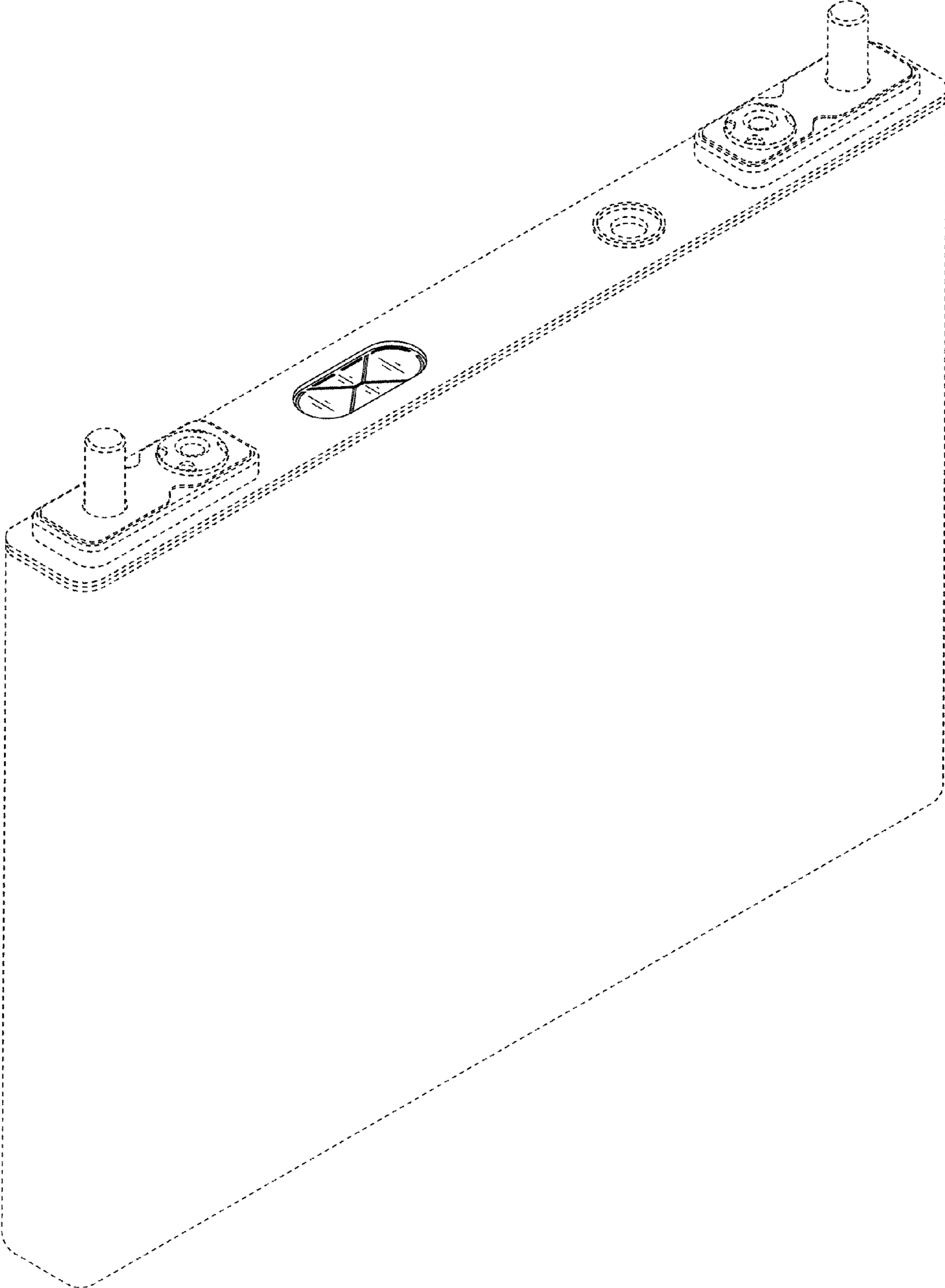


FIG. 1

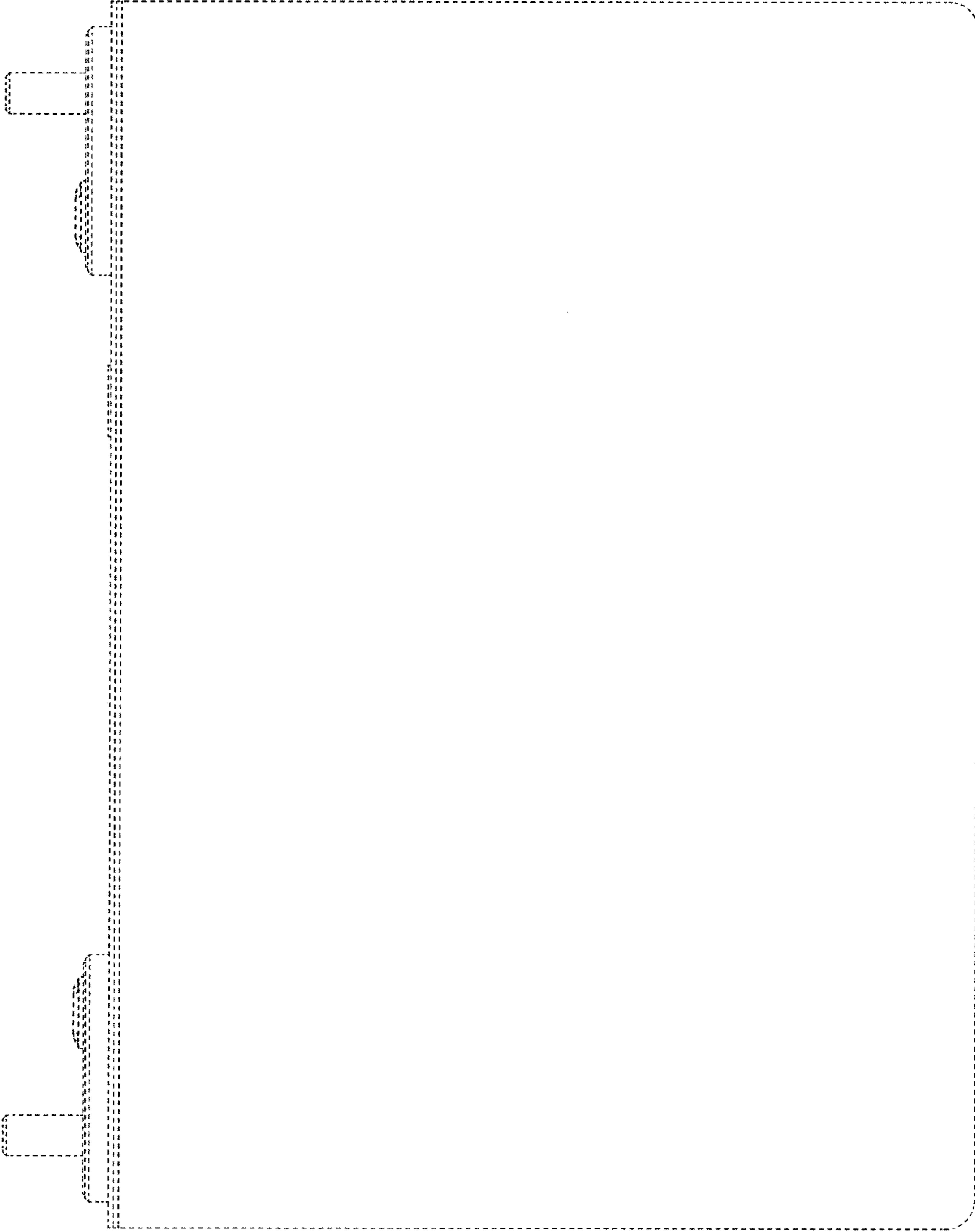


FIG. 2

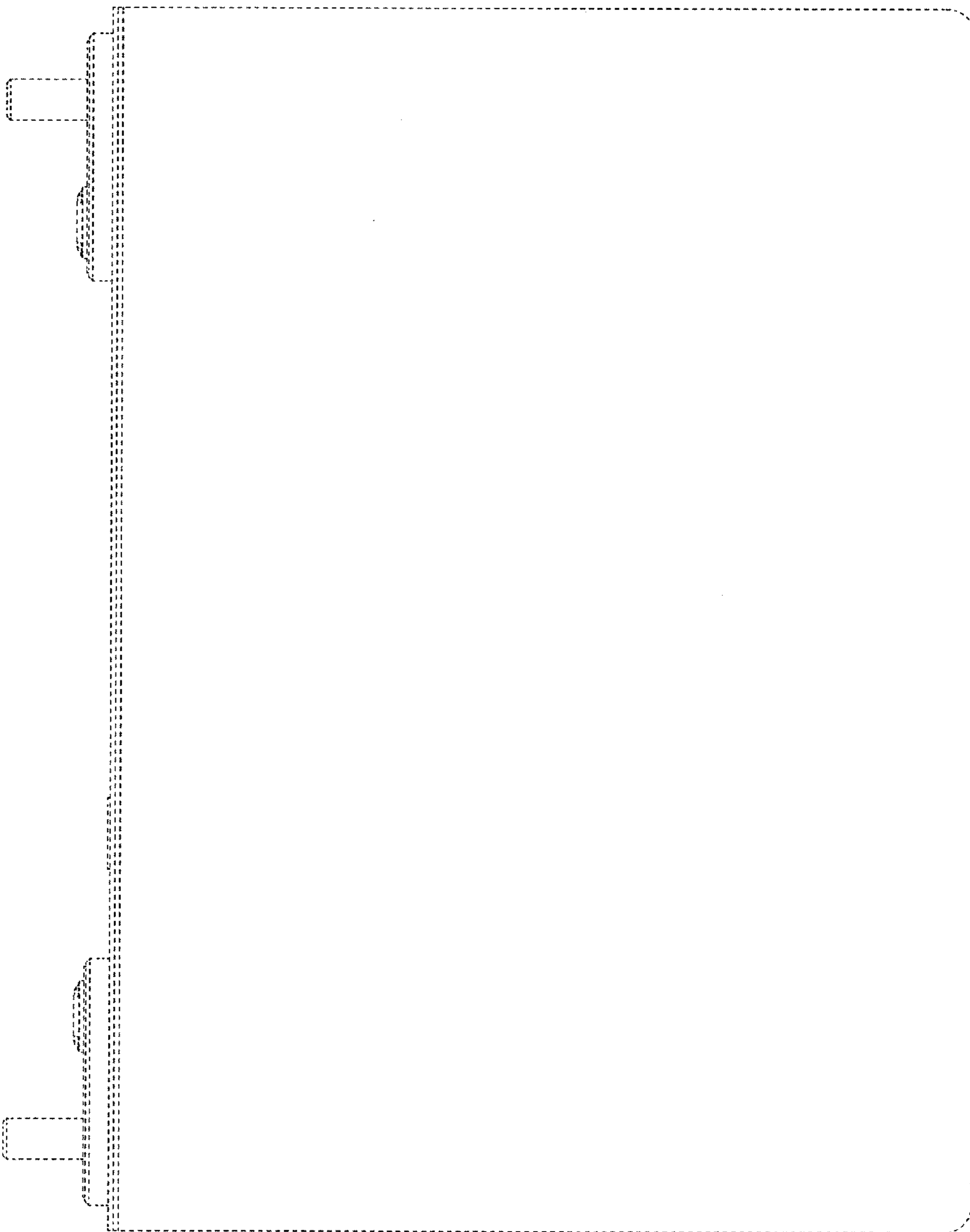


FIG. 3

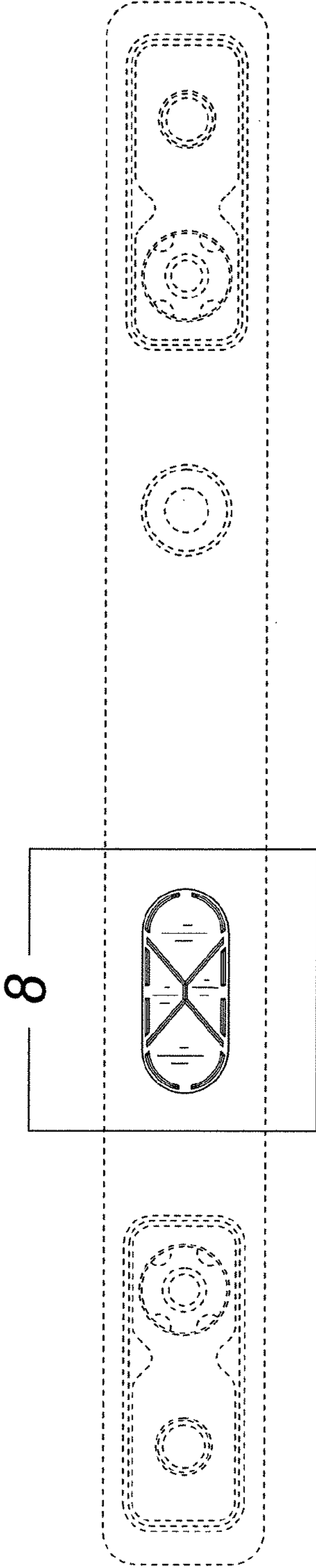


FIG. 4

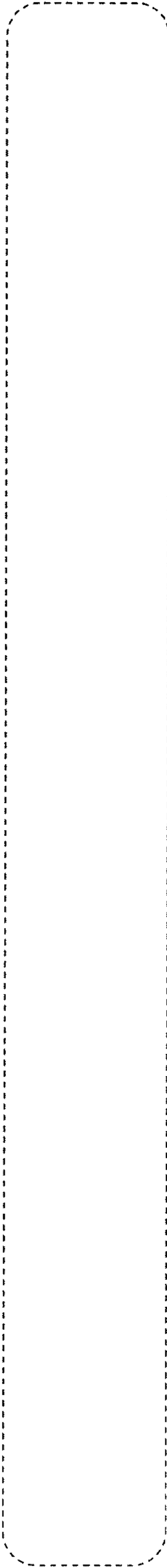


FIG. 5

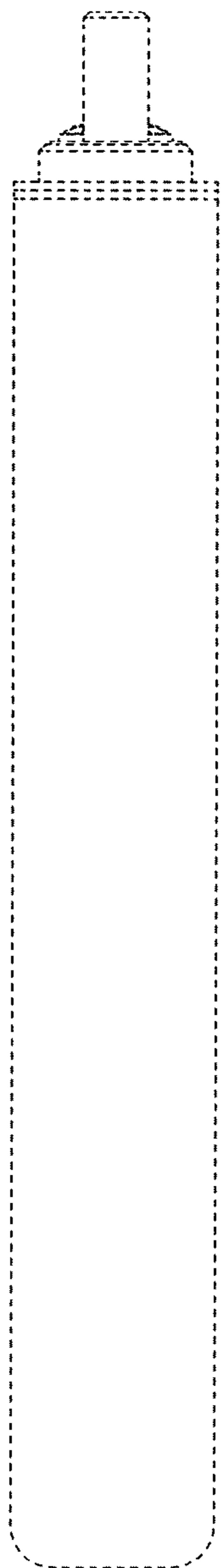


FIG. 6



FIG. 7

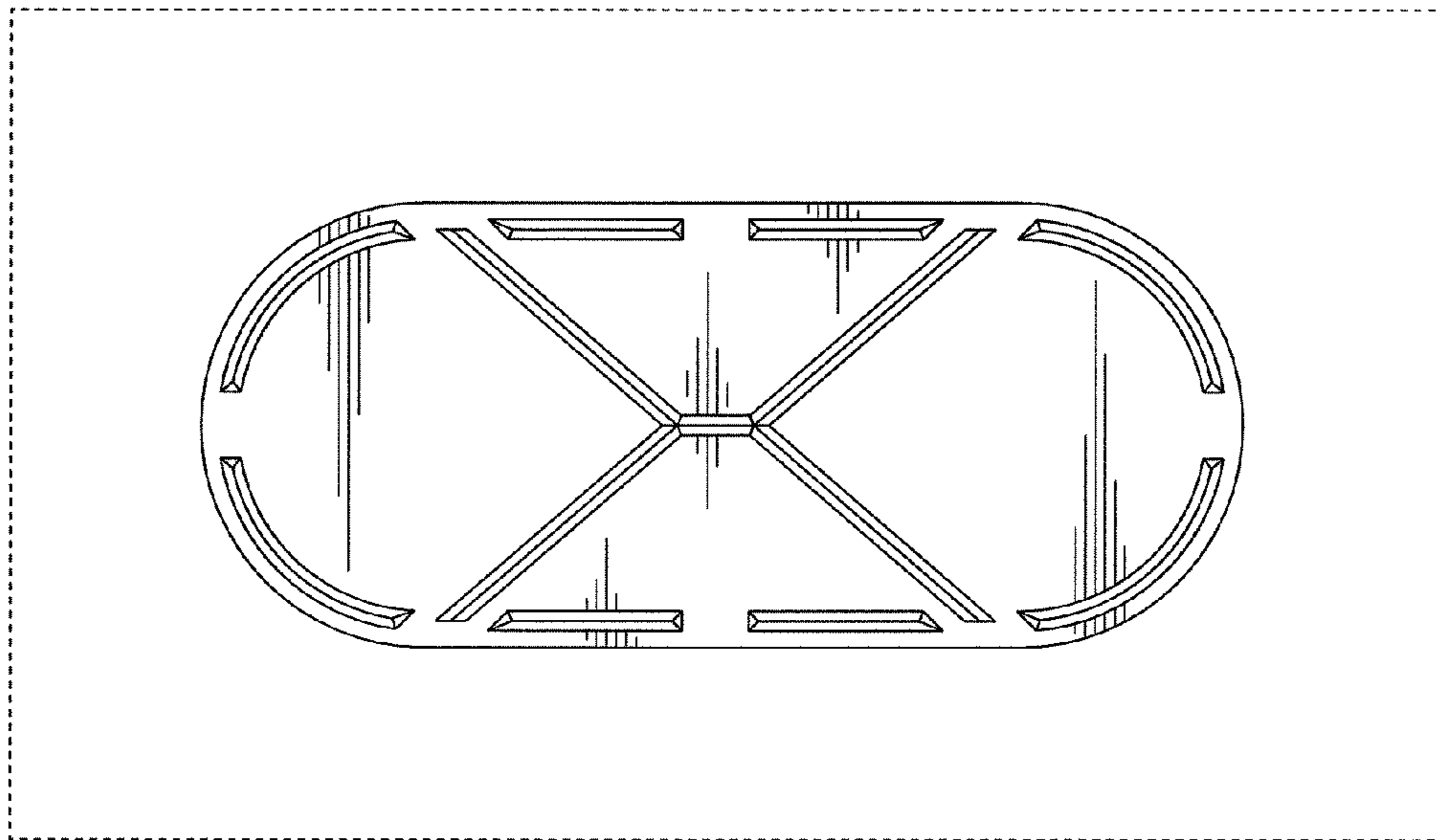


FIG. 8