



US00D644175S

(12) **United States Design Patent**  
**Kitajima et al.**

(10) **Patent No.:** **US D644,175 S**

(45) **Date of Patent:** **\*\* Aug. 30, 2011**

(54) **CORE FOR ELECTRONIC COMPONENT**

(75) Inventors: **Nobuo Kitajima**, Tokyo (JP); **Satoshi Shinbo**, Tokyo (JP)

(73) Assignee: **TDK Corporation**, Tokyo (JP)

(\*\*) Term: **14 Years**

(21) Appl. No.: **29/380,090**

(22) Filed: **Nov. 30, 2010**

(30) **Foreign Application Priority Data**

Jun. 2, 2010 (JP) ..... 2010-013576

(51) **LOC (9) Cl.** ..... **13-02**

(52) **U.S. Cl.** ..... **D13/118**

(58) **Field of Classification Search** ..... D13/118,  
D13/101, 183, 199; 29/606, 607; 335/297;  
336/83, 133, 208, 210, 213, 214, 218, 233  
See application file for complete search history.

(56) **References Cited**

**U.S. PATENT DOCUMENTS**

D264,959 S \* 6/1982 Ota et al. .... D13/118  
4,424,504 A \* 1/1984 Mitsui et al. .... 336/83  
5,175,525 A \* 12/1992 Smith ..... 336/83

D384,333 S \* 9/1997 Suzuki ..... D13/183  
6,696,913 B2 \* 2/2004 Meuche et al. .... 336/208  
D537,778 S \* 3/2007 Miyazaki ..... D13/118  
D539,220 S \* 3/2007 Iwakura ..... D13/118

**FOREIGN PATENT DOCUMENTS**

JP S-861441 2/1993

\* cited by examiner

*Primary Examiner* — Stella Reid

*Assistant Examiner* — Derrick Holland

(74) *Attorney, Agent, or Firm* — Oliff & Berridge, PLC

(57) **CLAIM**

The ornamental design for a core for electronic component, as shown and described.

**DESCRIPTION**

FIG. 1 is a perspective view of a core for electronic component;  
FIG. 2 is a front elevation view, with the rear elevation view being a mirror image of the front elevation view thereof;  
FIG. 3 is a top plan view thereof;  
FIG. 4 is a right-side view, with the left-side view being a mirror image of the right-side view thereof; and,  
FIG. 5 is a bottom plan view thereof.

**1 Claim, 3 Drawing Sheets**

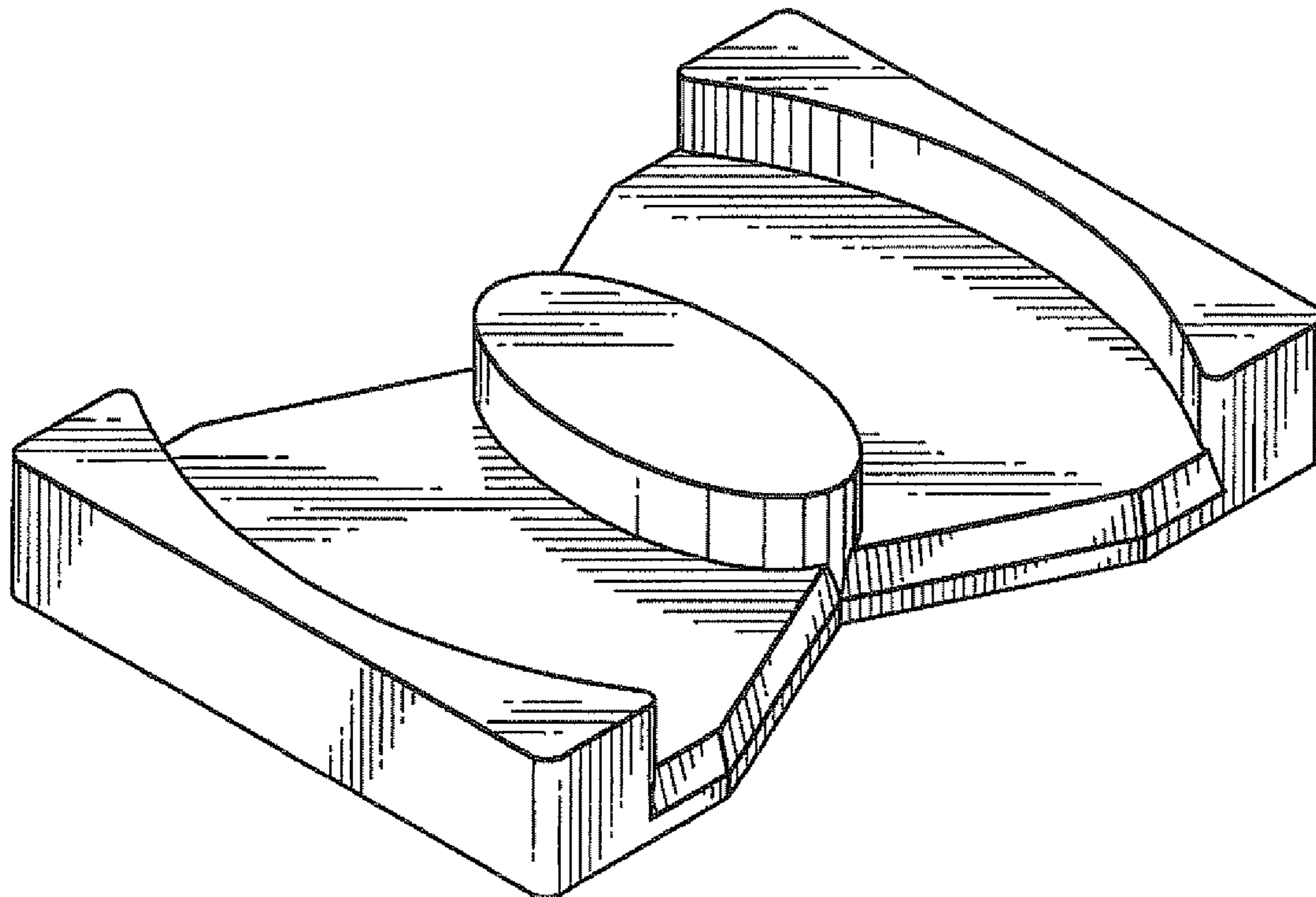


FIG. 1

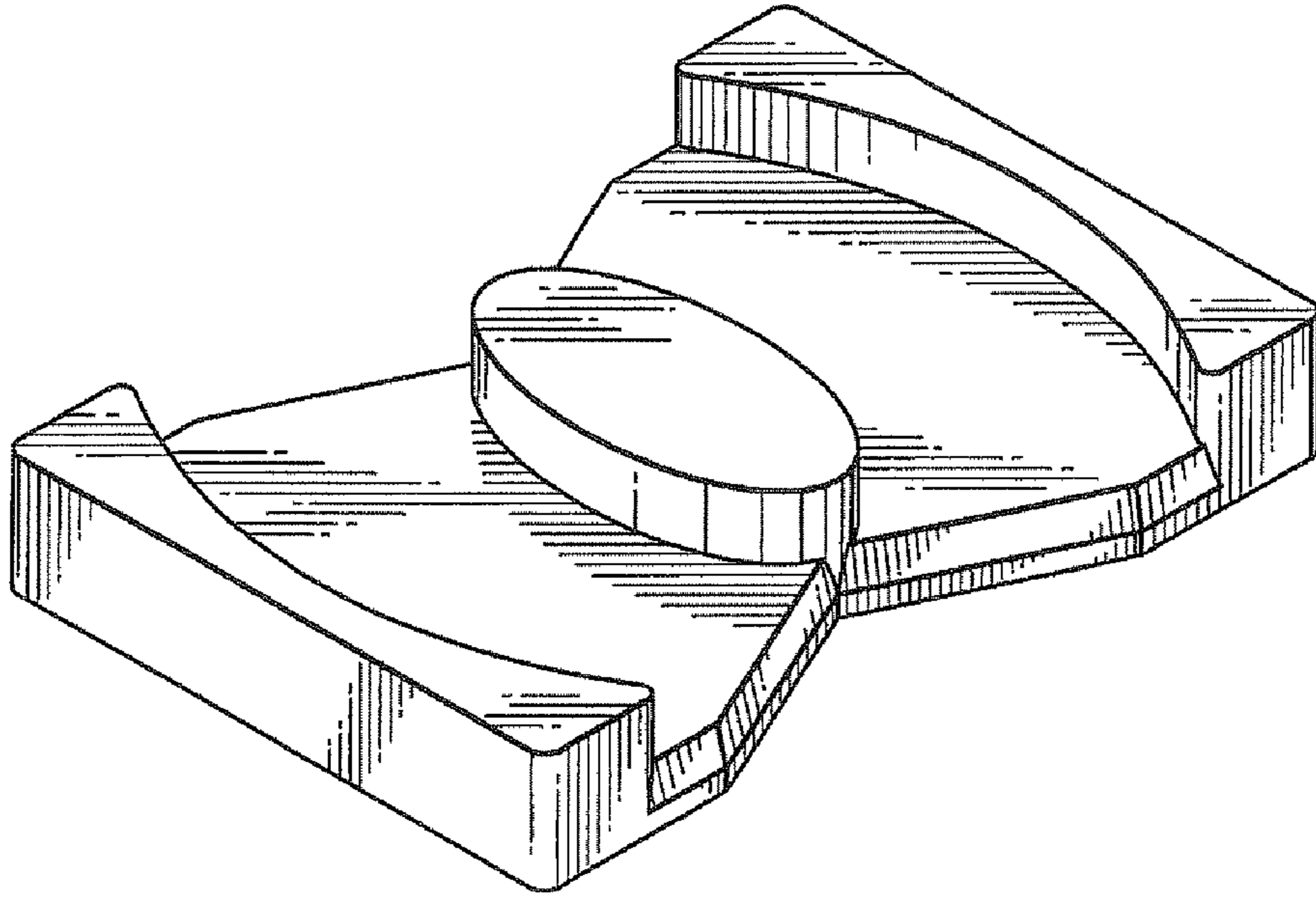


FIG. 2

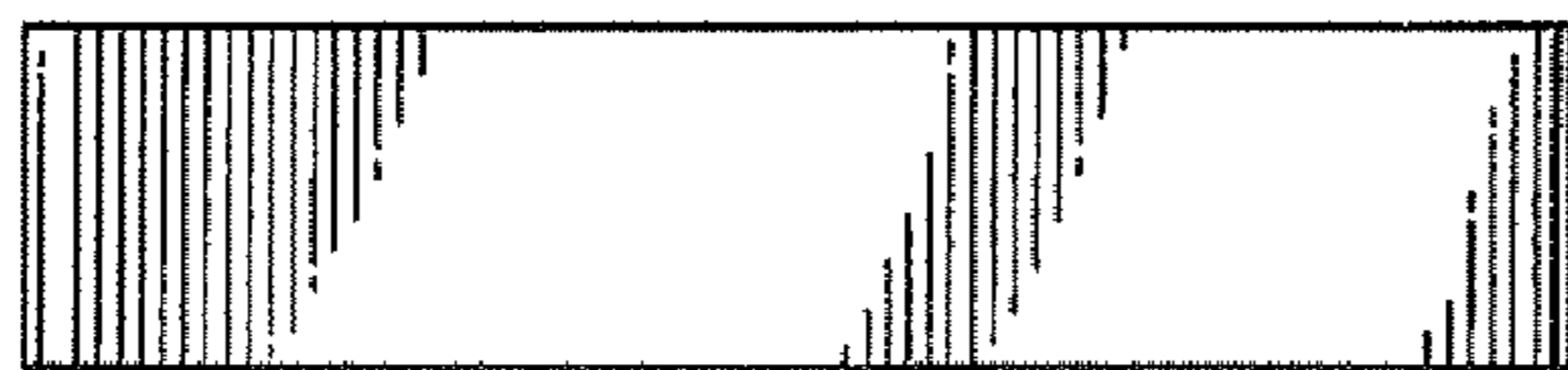


FIG.3

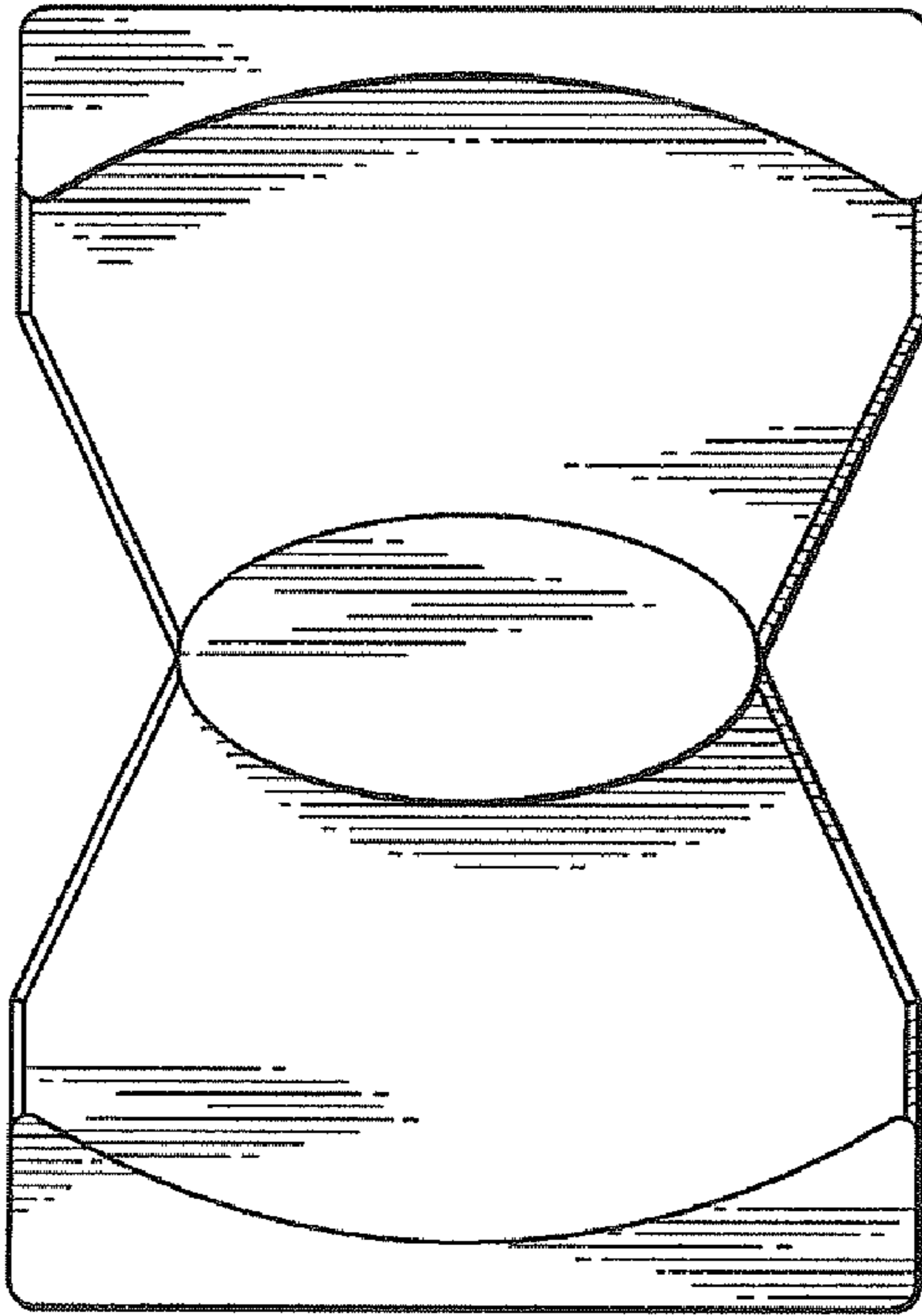
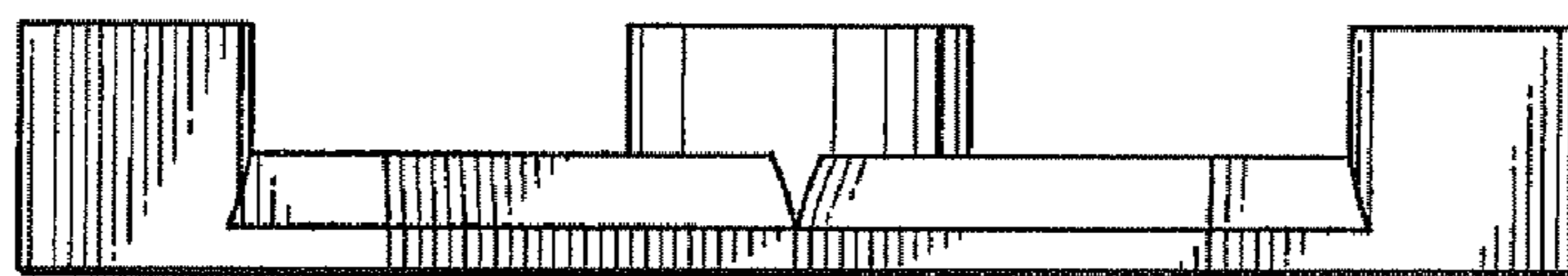


FIG.4



# FIG. 5

