



US00D644174S

(12) **United States Design Patent**
Fujiki

(10) **Patent No.:** **US D644,174 S**

(45) **Date of Patent:** **** Aug. 30, 2011**

(54) **ENGINE OPERATED GENERATOR**

(75) Inventor: **Yuko Fujiki**, Saitama (JP)

(73) Assignee: **Honda Motor Co., Ltd.**, Tokyo (JP)

(**) Term: **14 Years**

(21) Appl. No.: **29/387,664**

(22) Filed: **Mar. 16, 2011**

(30) **Foreign Application Priority Data**

Sep. 16, 2010 (JP) 2010-022356

(51) **LOC (9) Cl.** **13-01**

(52) **U.S. Cl.** **D13/116**

(58) **Field of Classification Search** D13/116,
D13/112, 114, 122, 184, 199; D6/329, 462;
D15/33; D34/12, 17, 23, 24, 26; 219/56,
219/57; 290/1 A, 1 B, 1 R; 307/150, 153;
310/50, 89, 158, 418

See application file for complete search history.

(56) **References Cited**

U.S. PATENT DOCUMENTS

6,362,533 B1 * 3/2002 Morohoshi et al. 290/1 A
6,525,430 B1 * 2/2003 Asai et al. 290/1 A
D489,327 S * 5/2004 Imai D13/116

D491,524 S * 6/2004 Imai D13/122
D509,795 S * 9/2005 Buck D13/116
D516,508 S * 3/2006 Johnson D13/116
D519,923 S * 5/2006 Imai D13/116
D563,320 S * 3/2008 Buck D13/116
D573,092 S * 7/2008 Hamm et al. D13/116
D580,860 S * 11/2008 Xi-Ren D13/122
D581,868 S * 12/2008 Imai D13/116

* cited by examiner

Primary Examiner — Prabhakar Deshmukh

Assistant Examiner — Derrick Holland

(74) *Attorney, Agent, or Firm* — Westerman, Hattori,
Daniels & Adrian, LLP

(57) **CLAIM**

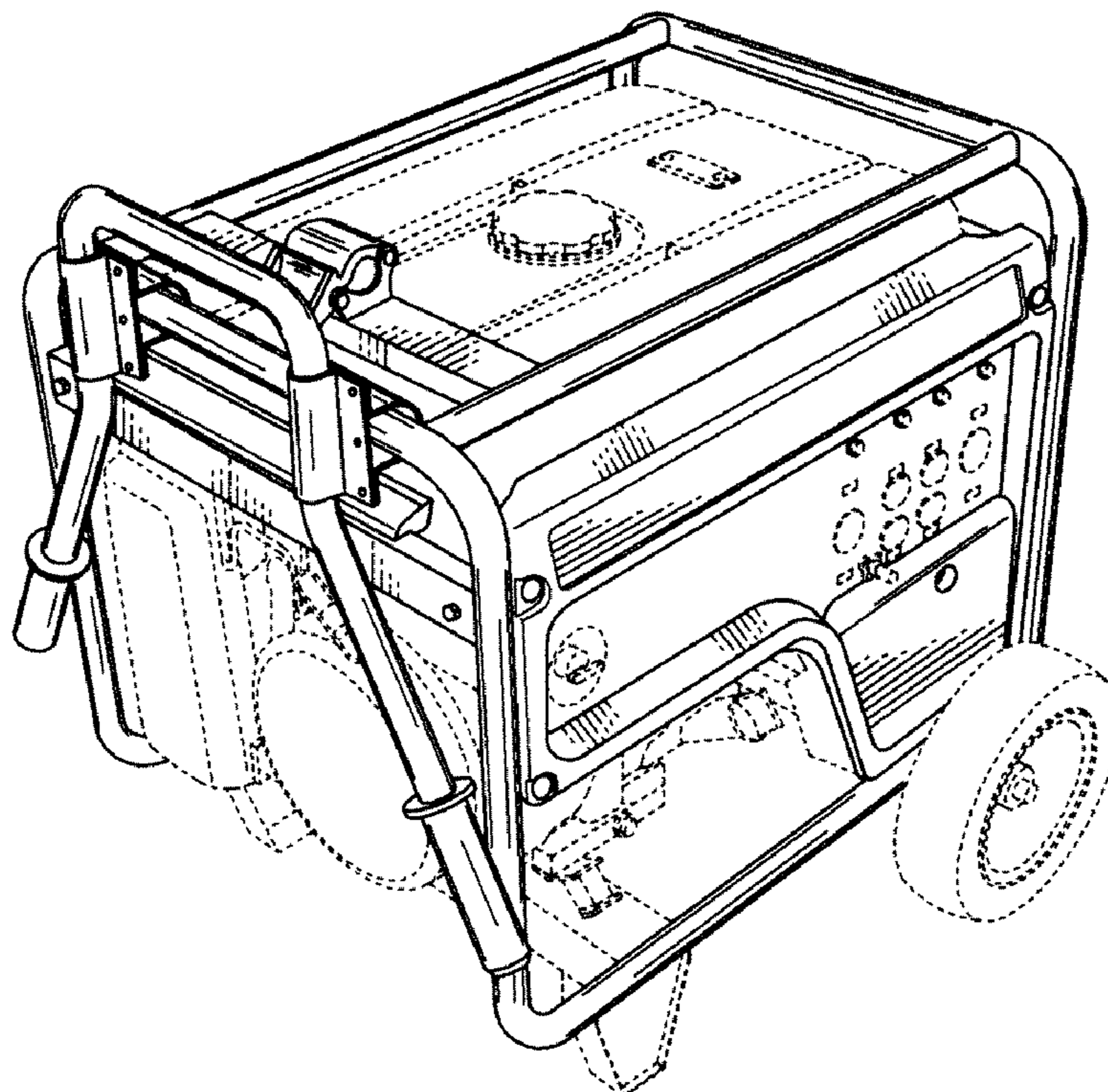
The ornamental design for an engine operated generator, as shown and described.

DESCRIPTION

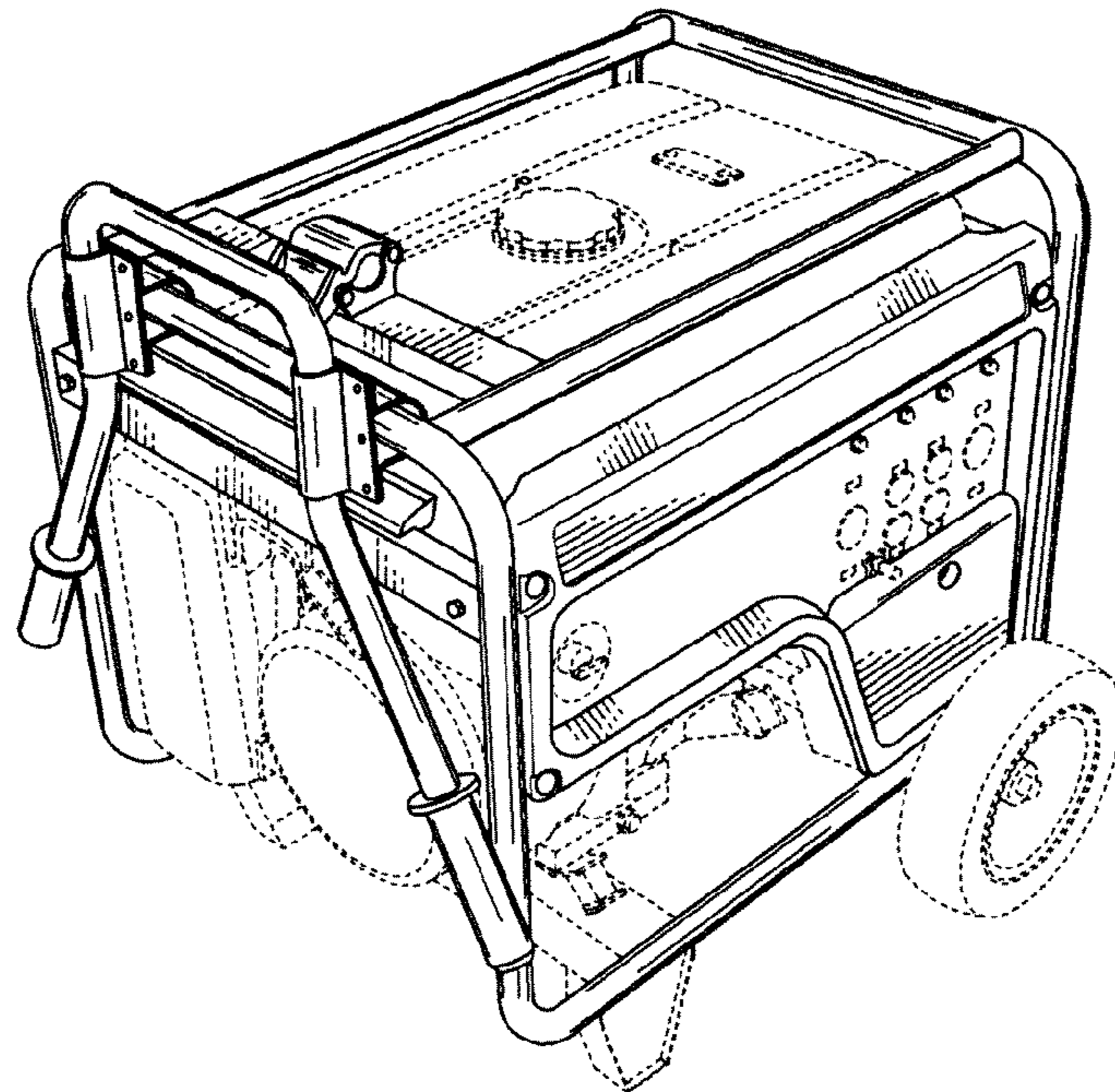
FIG. 1 is a first perspective view of an engine operated generator showing my new design;
FIG. 2 is a second perspective view thereof;
FIG. 3 is a front elevation view thereof;
FIG. 4 is a rear elevation view thereof;
FIG. 5 is a top plan view thereof;
FIG. 6 is a right side elevation view thereof; and,
FIG. 7 is a left side elevation view thereof.

The broken lines shown represent unclaimed subject matter and form no part of the claimed design.

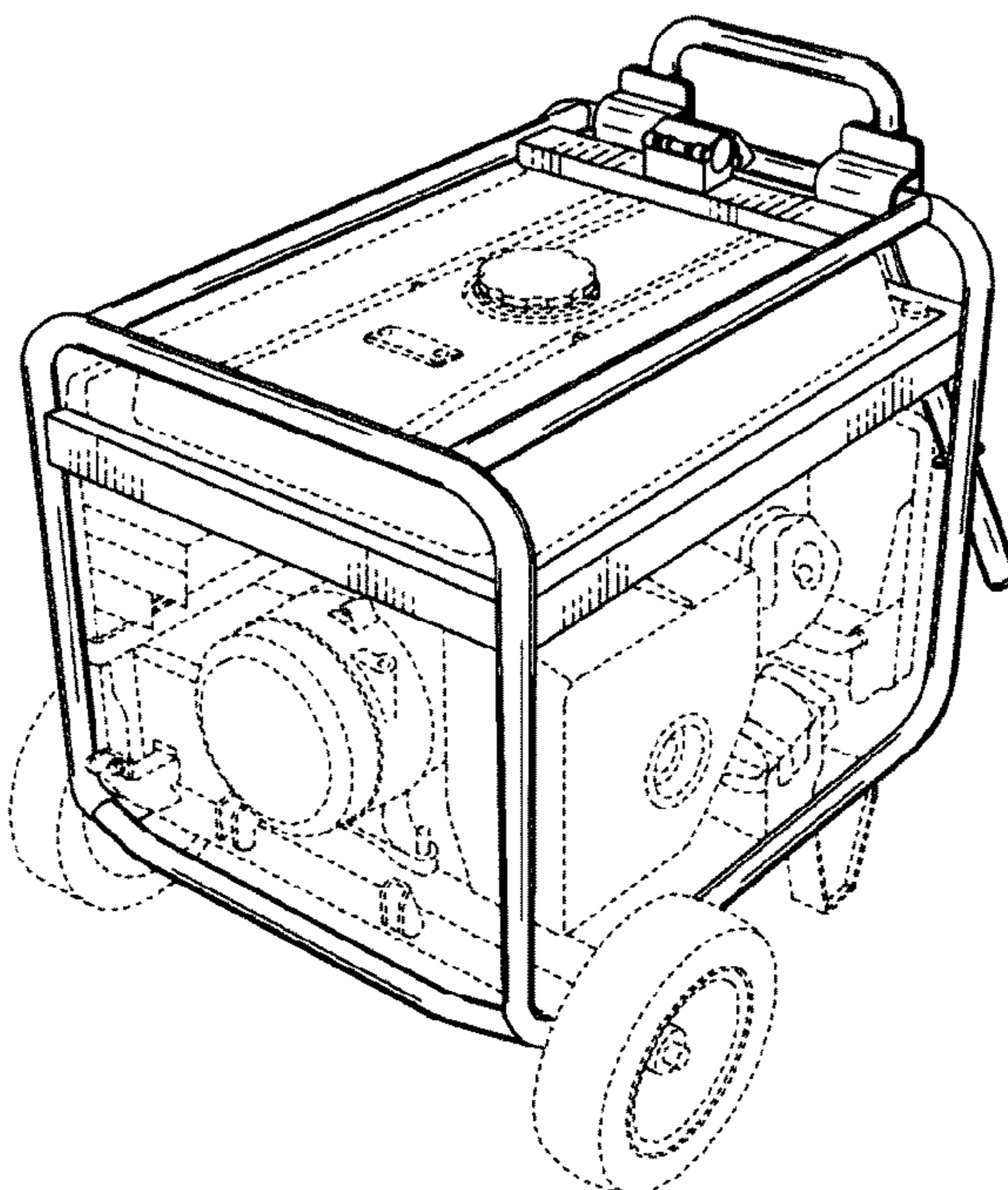
1 Claim, 4 Drawing Sheets



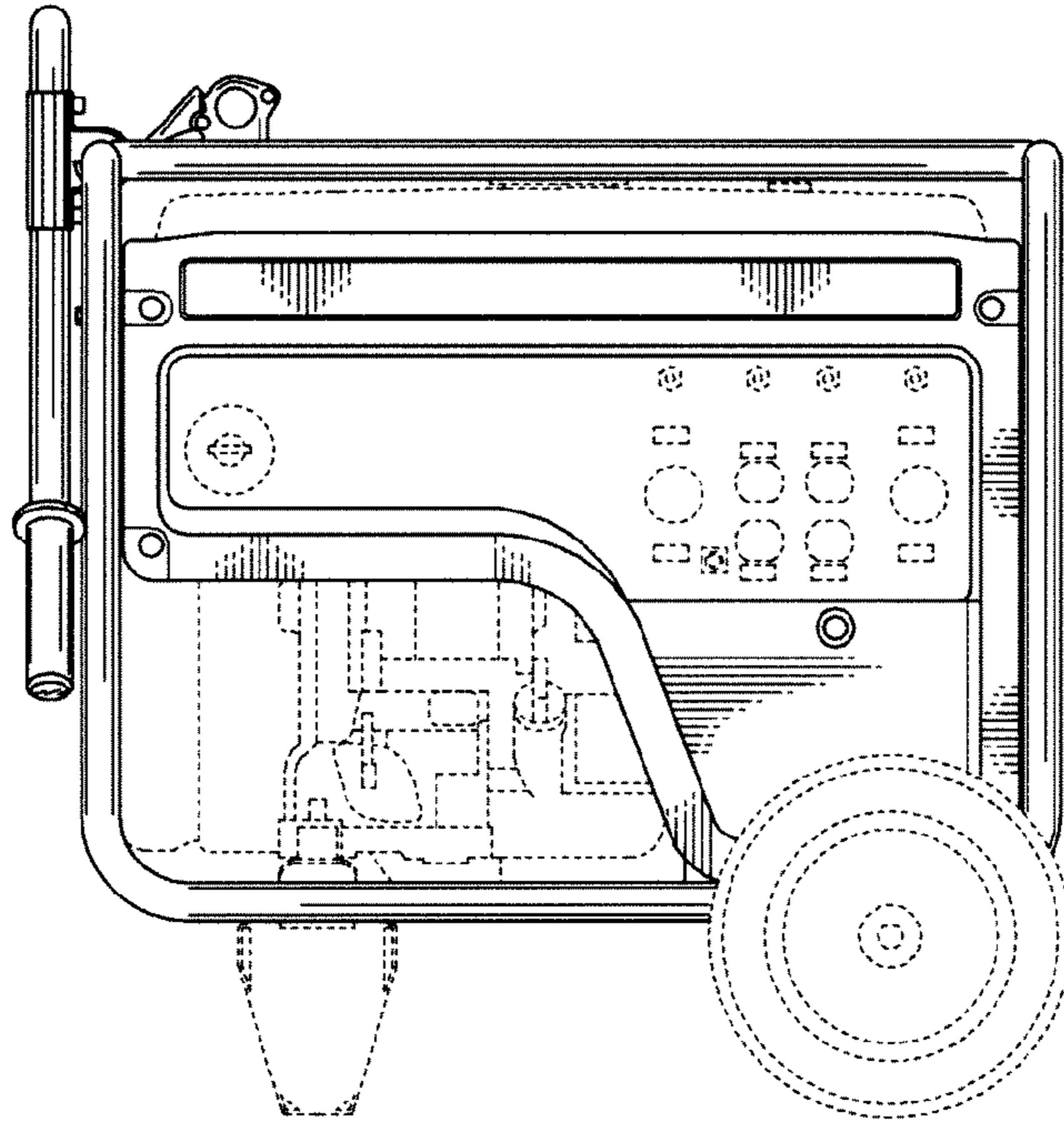
F I G. 1



F I G. 2



F I G. 3



F I G. 4

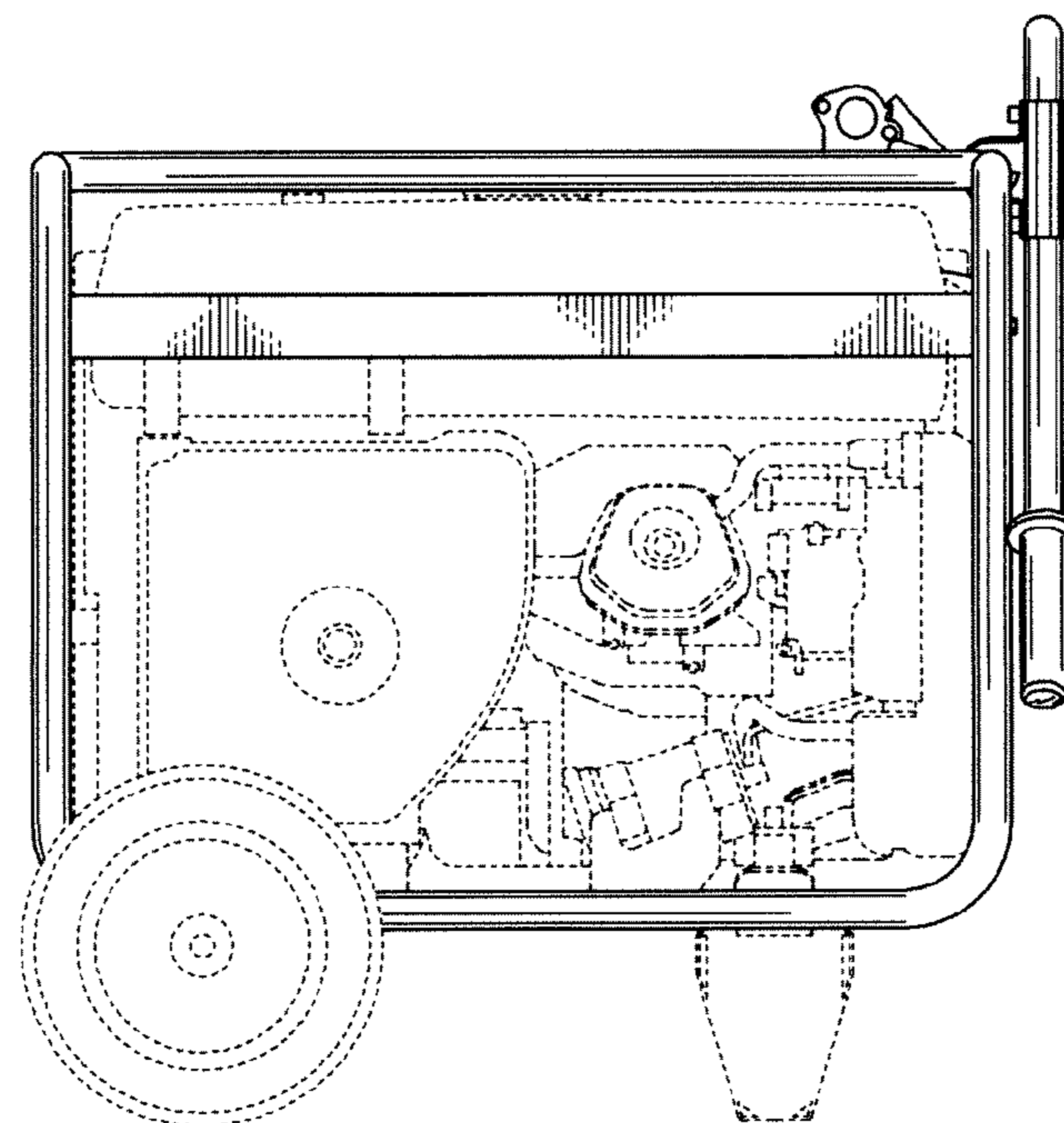
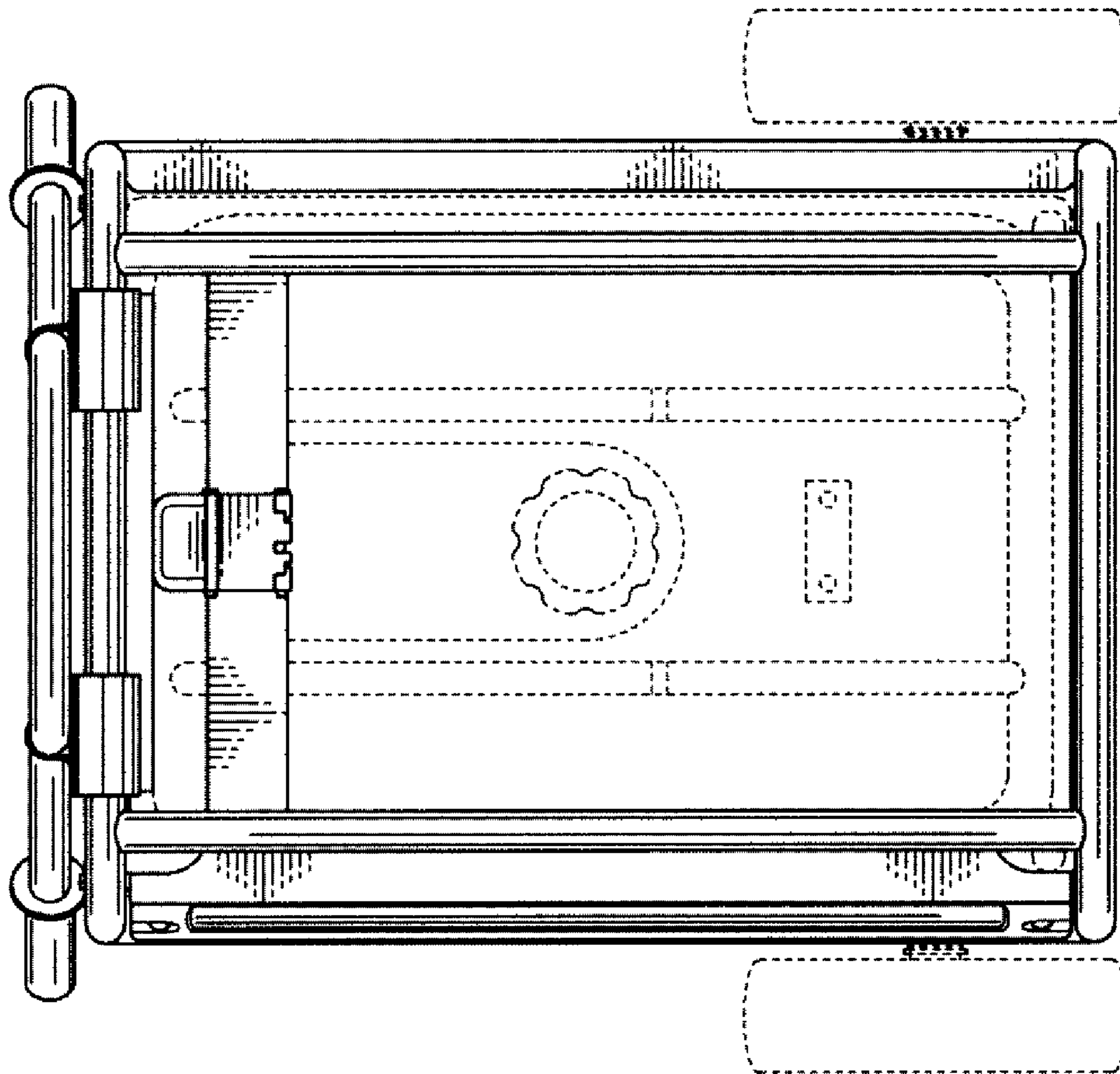
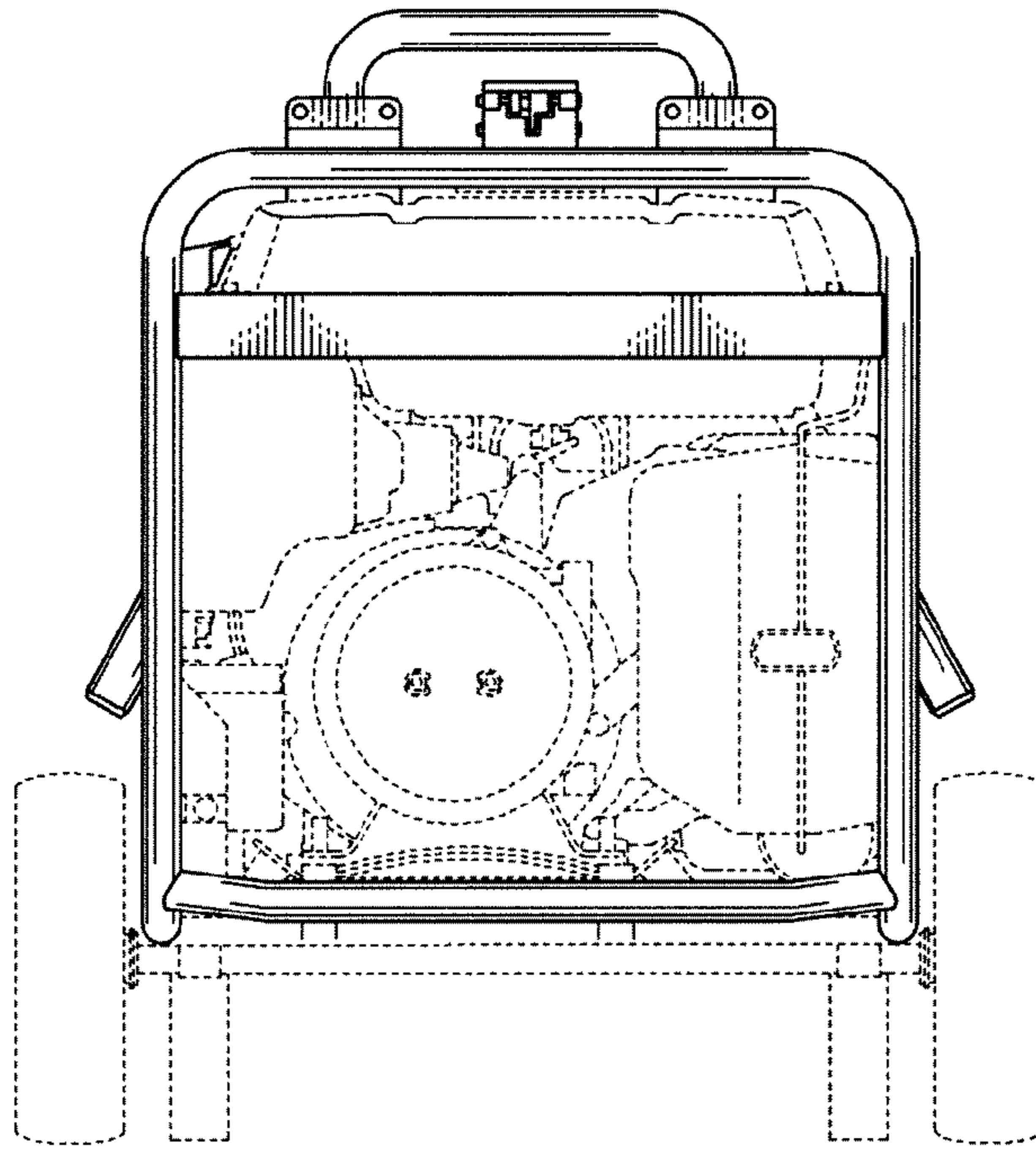


FIG. 5



F I G. 6



F I G. 7

