



US00D644169S

(12) **United States Design Patent**
Kohlrausch

(10) **Patent No.:** **US D644,169 S**

(45) **Date of Patent:** **** Aug. 30, 2011**

(54) **ACCUMULATOR**

(75) Inventor: **Philipp Kohlrausch**, Stuttgart (DE)

(73) Assignee: **Robert Bosch GmbH**, Stuttgart, DE
(US)

(**) Term: **14 Years**

(21) Appl. No.: **29/375,481**

(22) Filed: **Sep. 23, 2010**

(30) **Foreign Application Priority Data**

May 26, 2010 (EM) 001712118

(51) **LOC (9) Cl.** **13-02**

(52) **U.S. Cl.** **D13/110**

(58) **Field of Classification Search** D13/110,
D13/101, 107, 133, 162, 184, 199; D20/9;
194/215, 216, 220, 225, 228; 237/44, 75;
307/43, 46, 66, 67, 151, 152; 429/72; 903/903,
903/960

See application file for complete search history.

(56) **References Cited**

U.S. PATENT DOCUMENTS

D349,682	S	*	8/1994	Hunziker	D13/110
D463,363	S	*	9/2002	Veino et al.	D13/110
D526,616	S	*	8/2006	Nakashima et al.	D13/133
D568,241	S	*	5/2008	Heine et al.	D13/110
D589,877	S	*	4/2009	Wiegmann	D13/110

* cited by examiner

Primary Examiner — Stella Reid

Assistant Examiner — Derrick Holland

(74) *Attorney, Agent, or Firm* — Maginot, Moore & Beck

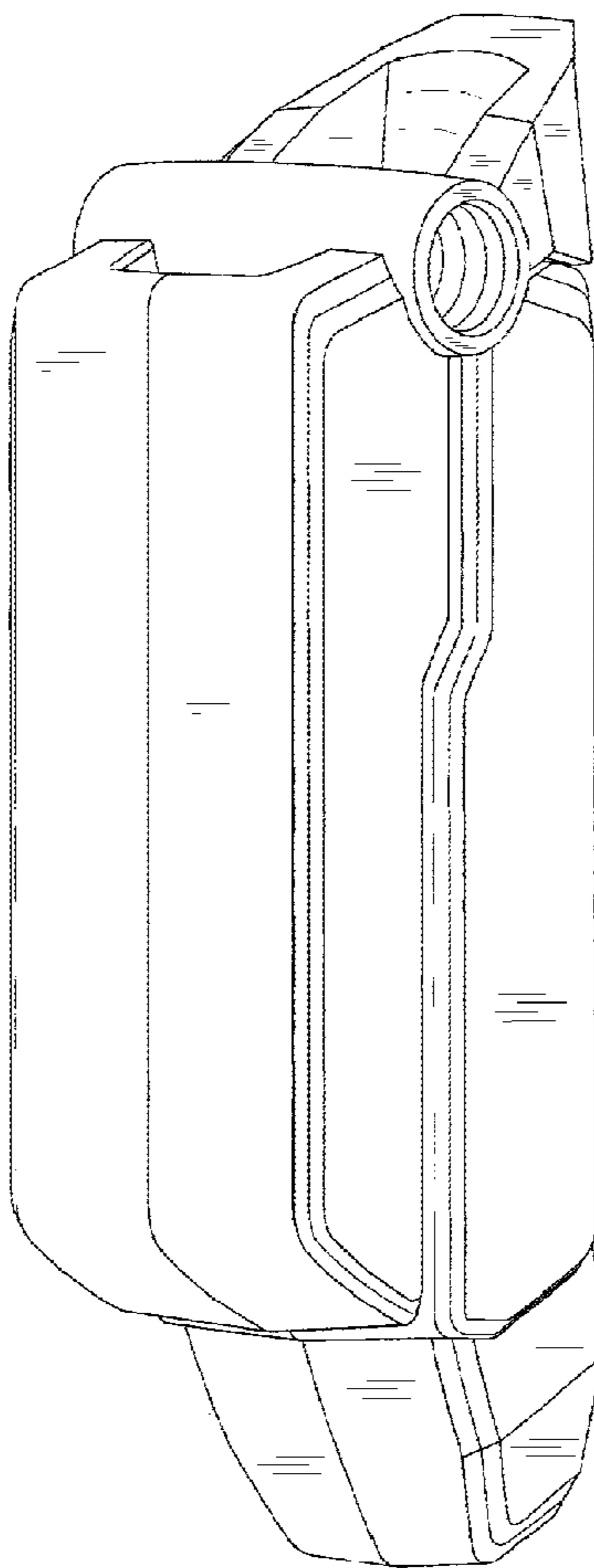
(57) **CLAIM**

The ornamental design for the accumulator, as shown and described.

DESCRIPTION

FIG. 1 is a right elevational view of the accumulator;
FIG. 2 is a front elevational view thereof;
FIG. 3 is left elevational view a thereof;
FIG. 4 is a rear elevational view thereof;
FIG. 5 is a top plan view thereof;
FIG. 6 is a bottom plan view thereof; and,
FIG. 7 is front left perspective view thereof.

1 Claim, 7 Drawing Sheets



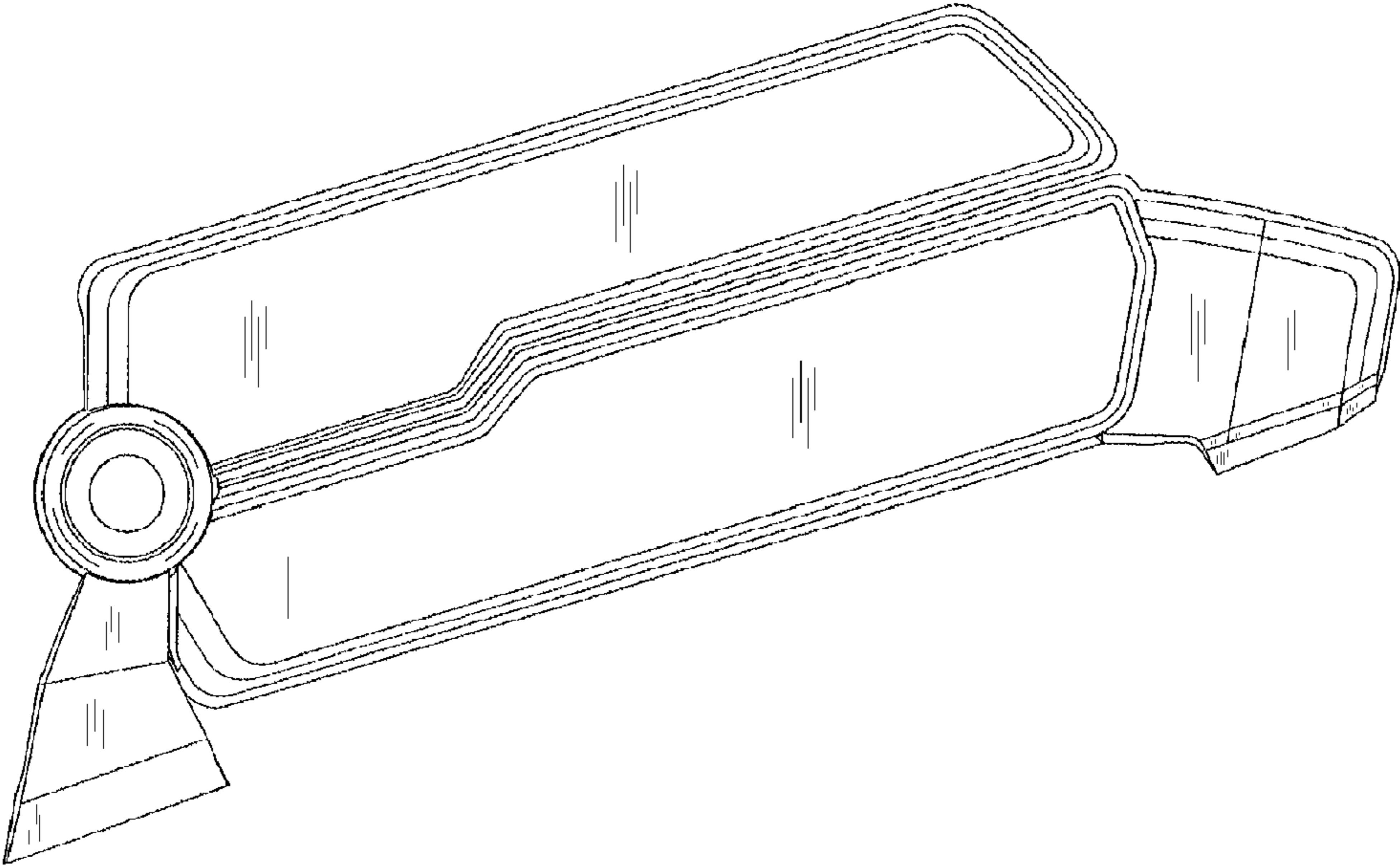


Figure 1

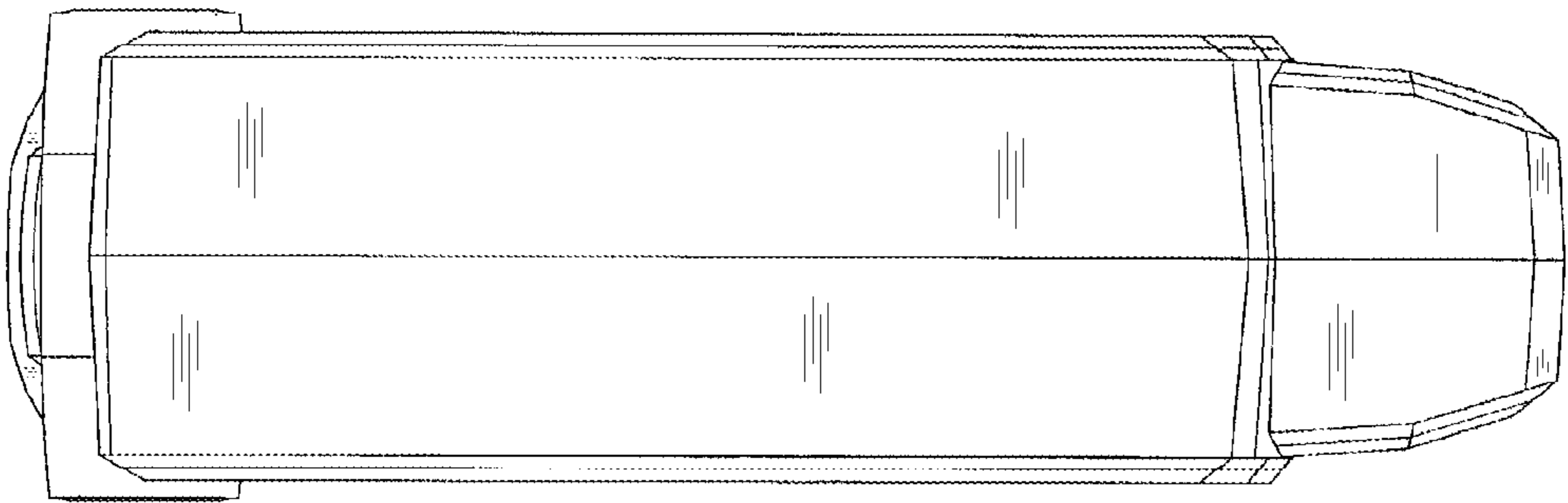


Figure 2

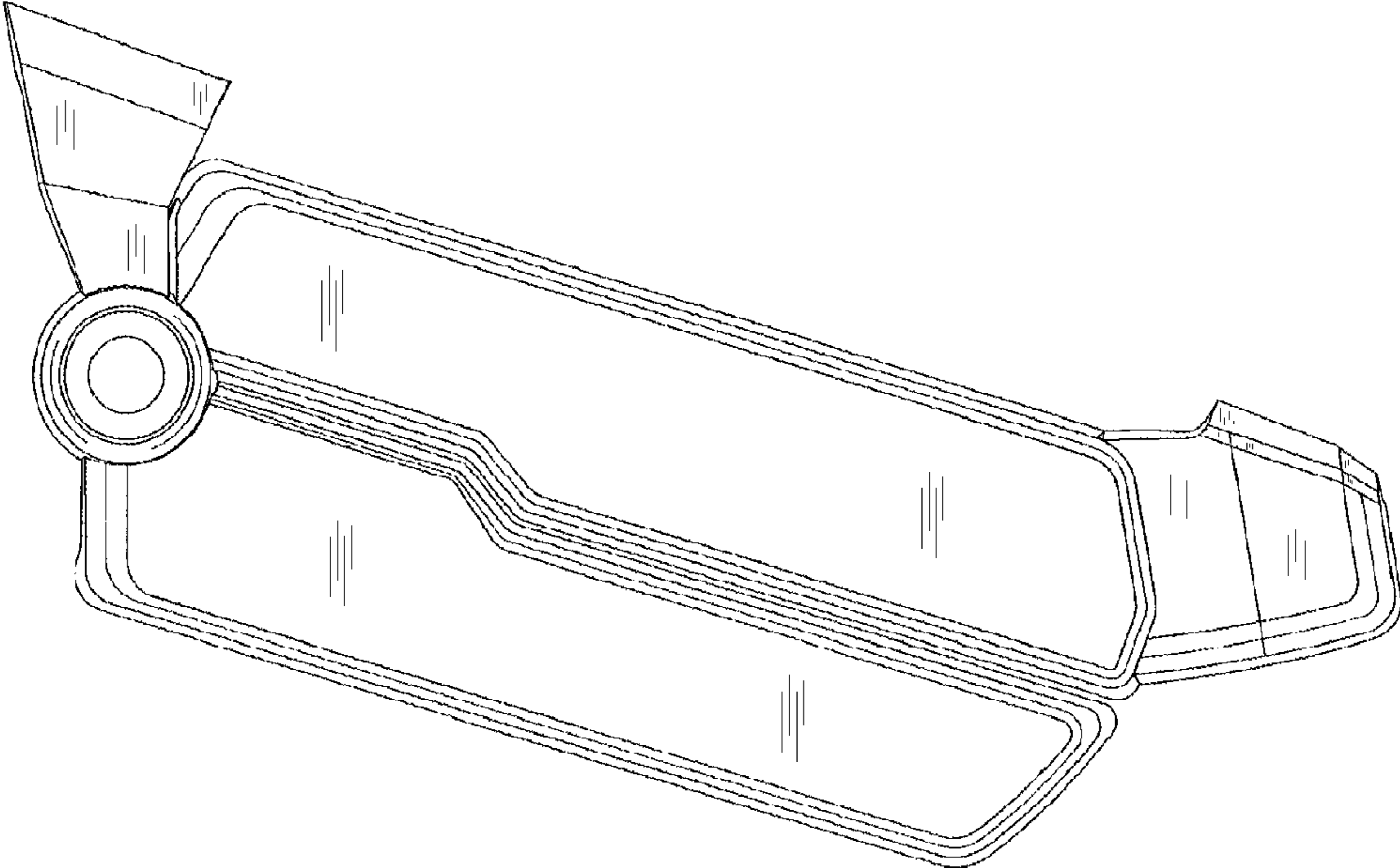


Figure 3

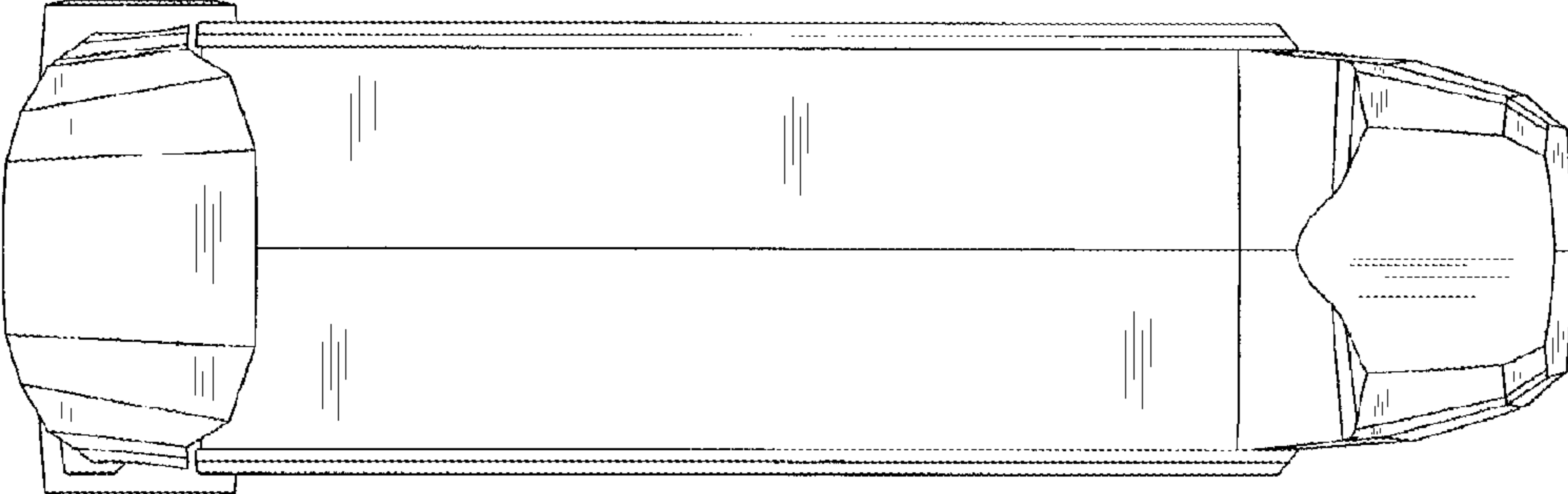


Figure 4

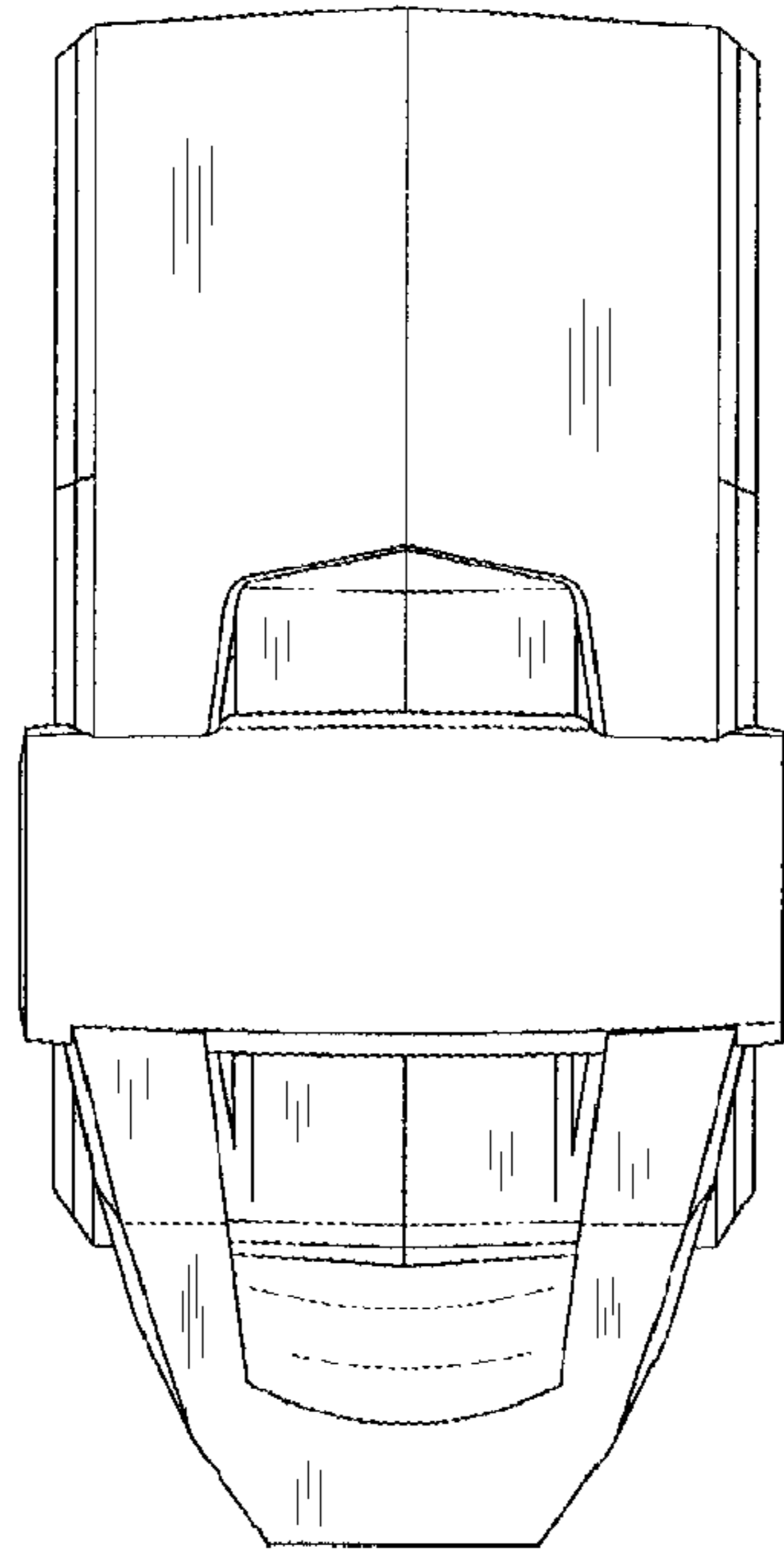


Figure 5

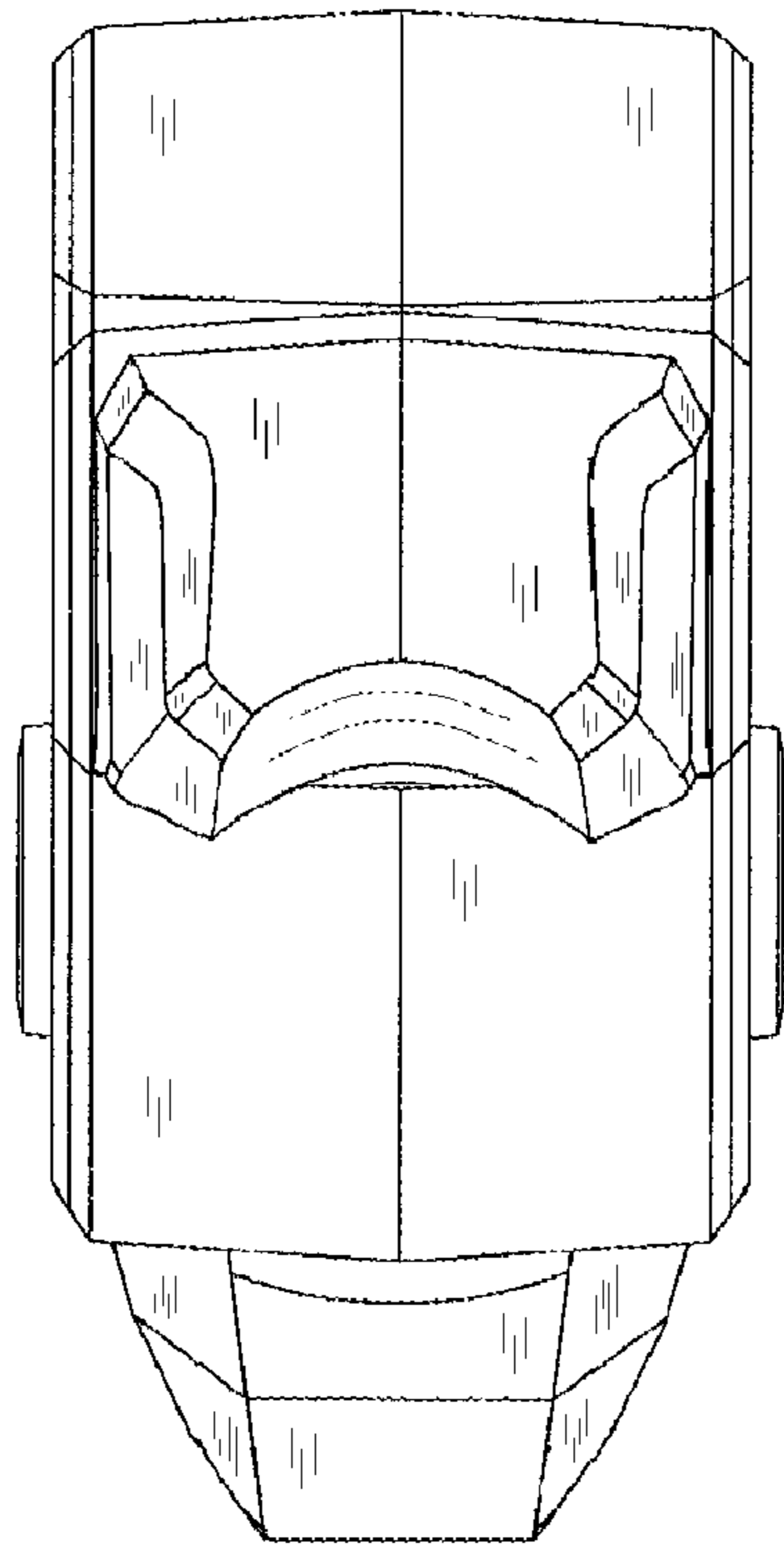


Figure 6

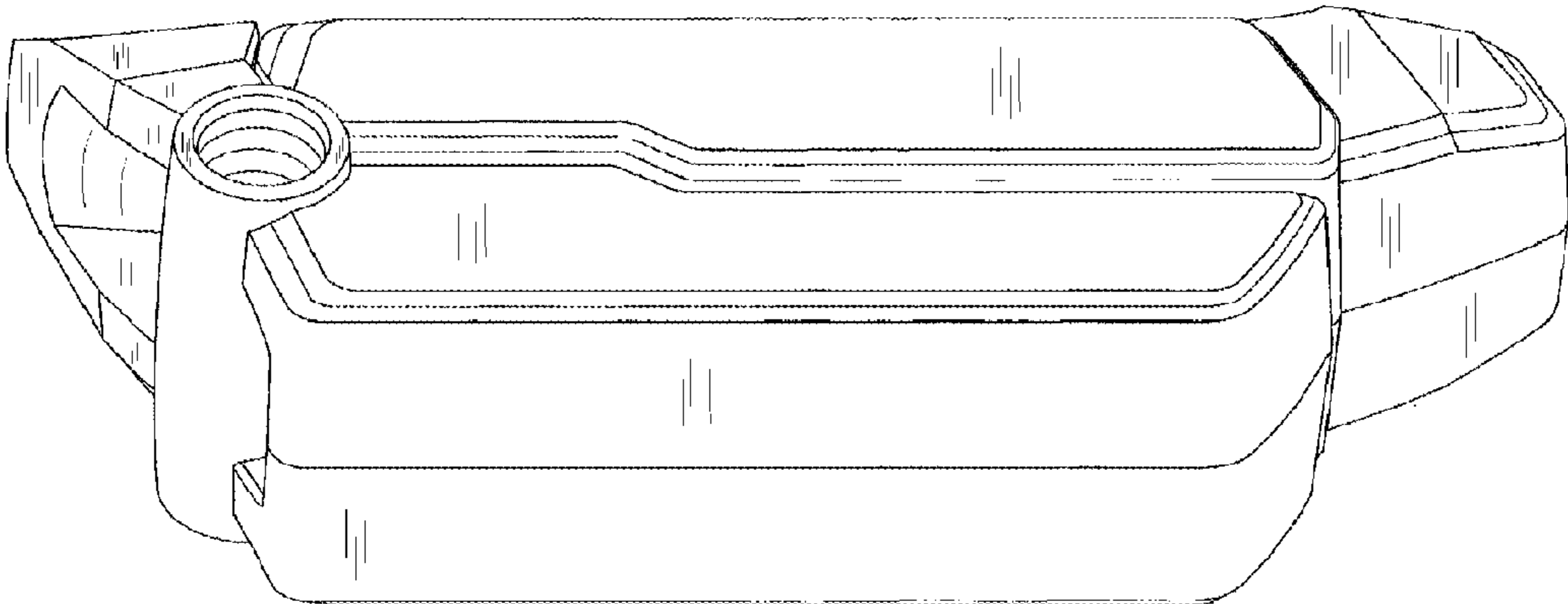


Figure 7