



US00D644163S

(12) **United States Design Patent**  
**Garrastacho et al.**

(10) **Patent No.:** **US D644,163 S**

(45) **Date of Patent:** **\*\* Aug. 30, 2011**

(54) **WINDSHIELD WIPER BLADE SPLINE**

(75) Inventors: **Eddie Garrastacho**, Miami, FL (US);  
**Saied Hussaini**, Miami, FL (US)

(73) Assignee: **Rally Manufacturing, Inc.**, Miami, FL  
(US)

(\*\*) Term: **14 Years**

(21) Appl. No.: **29/383,994**

(22) Filed: **Jan. 25, 2011**

(51) **LOC (9) Cl.** ..... **12-06**

(52) **U.S. Cl.** ..... **D12/220**

(58) **Field of Classification Search** ..... D12/219–220;  
15/246, 247, 250.001, 250.4, 250.19, 250.48,  
15/250.03, 250.31–250.33, 250.351, 250.38,  
15/250.201, 250.451, 250.458, 250.04, 250.07,  
15/250.44

See application file for complete search history.

(56) **References Cited**

U.S. PATENT DOCUMENTS

D248,388	S	*	7/1978	Hughes	.....	D12/220
5,349,718	A	*	9/1994	Gibbon	.....	15/250.48
D556,667	S	*	12/2007	Kim	.....	D12/219
D571,705	S	*	6/2008	Machida et al.	.....	D12/219
7,526,832	B2	*	5/2009	Matsumoto et al.	.....	15/250.201
D597,016	S	*	7/2009	Bousset et al.	.....	D12/219
D597,017	S	*	7/2009	Kawamoto	.....	D12/220
D633,426	S	*	3/2011	Kobayashi	.....	D12/220

2002/0083546	A1	*	7/2002	Lim	.....	15/250.44
2009/0158547	A1	*	6/2009	Kim	.....	15/250.351
2010/0024151	A1	*	2/2010	Ku	.....	15/250.351

\* cited by examiner

*Primary Examiner* — Caron D Veynar

*Assistant Examiner* — Katrina Kile

(74) *Attorney, Agent, or Firm* — Berenato & White, LLC

(57) **CLAIM**

The ornamental design for a windshield wiper blade spline, as shown and described.

**DESCRIPTION**

FIG. 1 is a top and right side perspective view of the windshield wiper blade spline according to the present invention FIG. 2 is a top view of the windshield wiper blade spline of FIG. 1.

FIG. 3 is a bottom view of the windshield wiper blade spline of FIG. 1.

FIG. 4 is a right side view of the windshield wiper blade spline of FIG. 1.

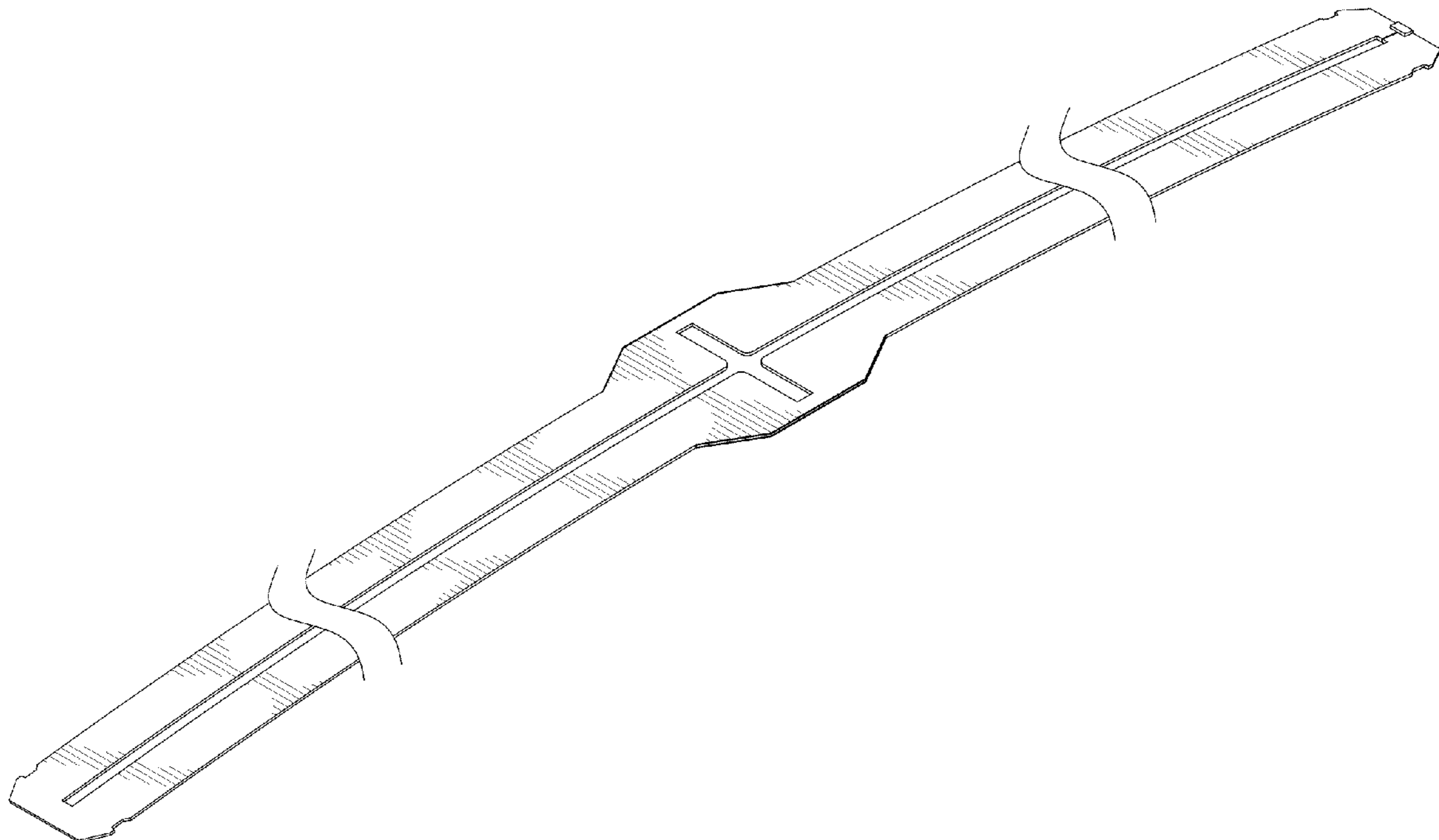
FIG. 5 is a left side view of the windshield wiper blade spline of FIG. 1.

FIG. 6 is a front view of the windshield wiper blade spline of FIG. 1; and,

FIG. 7 is a back view of the windshield wiper blade spline of FIG. 1.

The breaks in the drawing figures show no specific length.

**1 Claim, 3 Drawing Sheets**



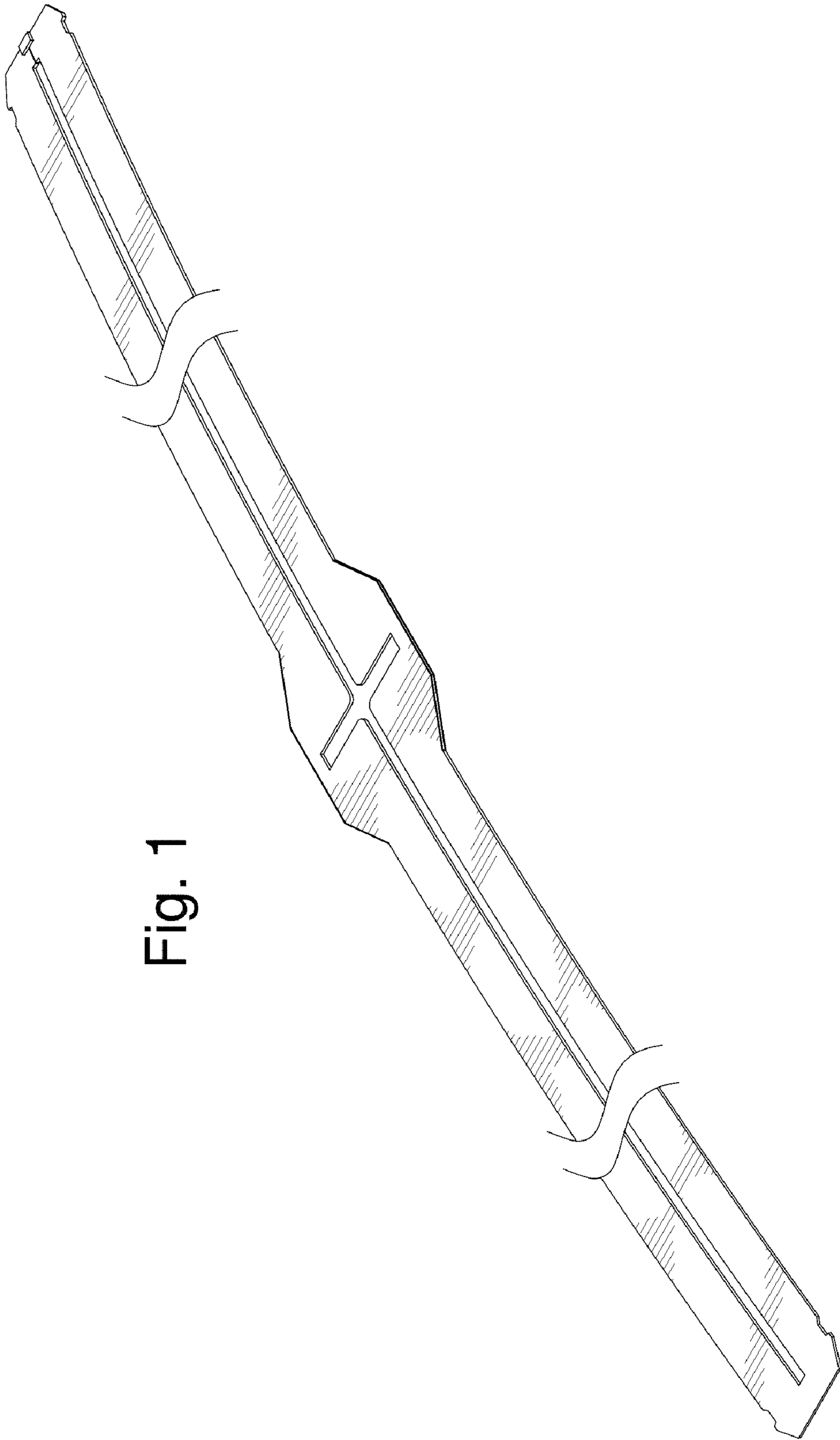


Fig. 1

Fig. 2

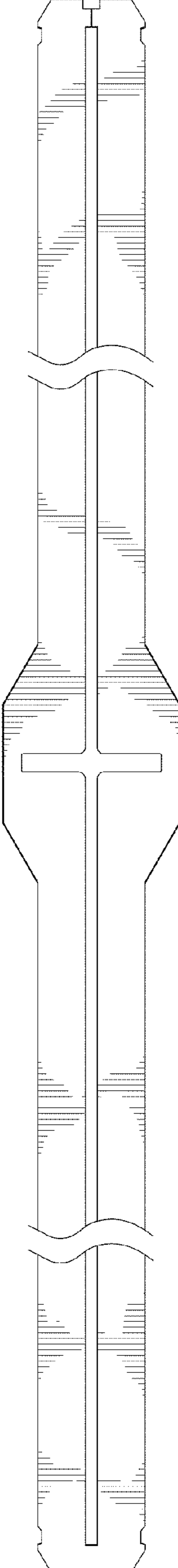


Fig. 3

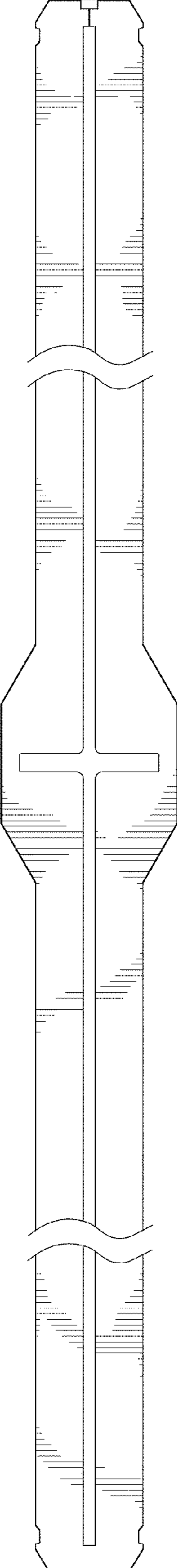


Fig. 4

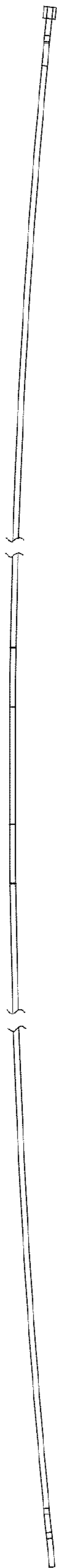


Fig. 5



Fig. 6

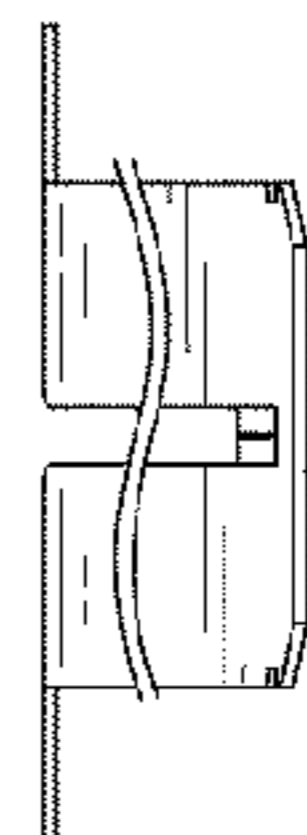


Fig. 7

