



US00D644161S

(12) **United States Design Patent**
Fries et al.

(10) **Patent No.:** **US D644,161 S**

(45) **Date of Patent:** **** Aug. 30, 2011**

(54) **AUXILIARY FUEL TANK FOR A VEHICLE**

(75) Inventors: **Landon Fries**, Spicer, MN (US); **Russell Stoltman**, Argusville, ND (US); **Carl Hagele**, Chicago, IL (US)

(73) Assignee: **CNH America LLC**, New Holland, PA (US)

(**) Term: **14 Years**

(21) Appl. No.: **29/364,156**

(22) Filed: **Jun. 18, 2010**

(51) **LOC (9) Cl.** **12-11**

(52) **U.S. Cl.** **D12/218**

(58) **Field of Classification Search** D12/218;
280/830, 833-835; D15/1, 3, 5, 28; 180/314,
180/69.4, 69.5, 900, 225; 220/4.14, 562-564;
123/516, 518-520

See application file for complete search history.

(56) **References Cited**

U.S. PATENT DOCUMENTS

| | | | | | | |
|-----------|---|---|---------|-------------------|-------|---------|
| D208,539 | S | * | 9/1967 | Miller | | D12/218 |
| D214,435 | S | * | 6/1969 | Naeve | | D12/218 |
| D219,011 | S | * | 10/1970 | Marushak et al. | | D12/218 |
| D290,452 | S | * | 6/1987 | Balek | | D12/218 |
| D290,829 | S | * | 7/1987 | Balek | | D12/218 |
| D320,836 | S | * | 10/1991 | Ahrenholtz et al. | | D23/202 |
| 5,186,352 | A | * | 2/1993 | Otto et al. | | 220/564 |
| 5,305,908 | A | * | 4/1994 | Otto et al. | | 220/564 |
| D435,503 | S | * | 12/2000 | Gukeisen et al. | | D12/218 |
| D441,710 | S | * | 5/2001 | Moehle et al. | | D12/218 |

| | | | | | | |
|-----------|----|---|---------|------------------|-------|---------|
| D452,294 | S | * | 12/2001 | Harthoorn et al. | | D23/202 |
| 6,550,811 | B1 | * | 4/2003 | Bennett et al. | | 280/833 |
| D512,677 | S | * | 12/2005 | Alsop | | D12/218 |
| D628,672 | S | * | 12/2010 | Kendall et al. | | D23/202 |

* cited by examiner

Primary Examiner — Susan M Lee

Assistant Examiner — Linda Brooks

(74) *Attorney, Agent, or Firm* — Patrick M. Sheldrake; Michael G. Harms

(57) **CLAIM**

We claim the ornamental design for the auxiliary fuel tank for a vehicle, as shown and described.

DESCRIPTION

FIG. 1 is a front perspective view of an auxiliary fuel tank for a vehicle;

FIG. 2 is a front view thereof;

FIG. 3 is a rear view thereof;

FIG. 4 is a left side view thereof;

FIG. 5 is a right side view thereof;

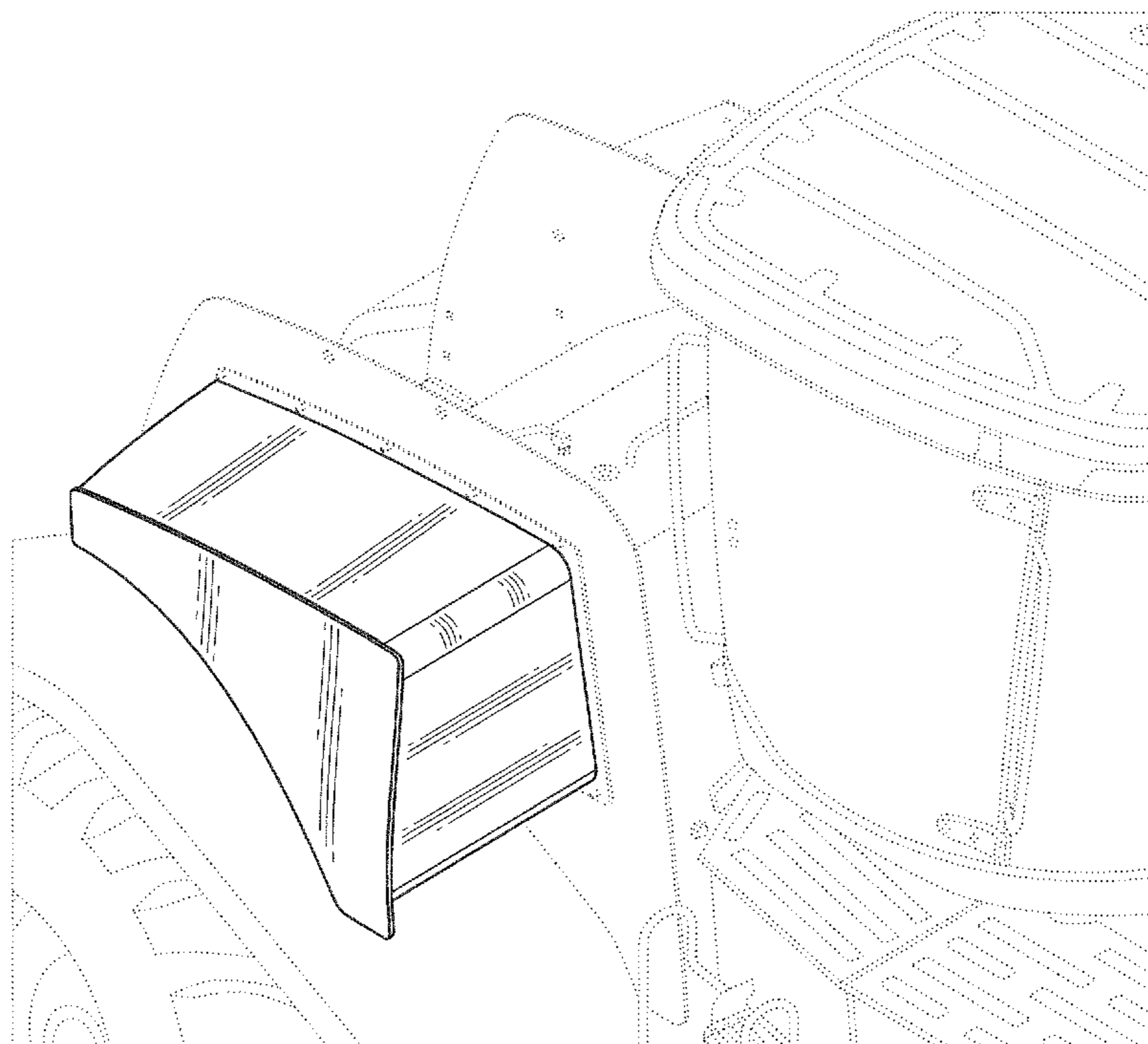
FIG. 6 is a top view thereof;

FIG. 7 is a bottom view thereof; and,

FIG. 8 is a front perspective view thereof showing the auxiliary fuel tank for a vehicle in its environment.

The broken lines are for illustrative purposes only and form no part of the claimed design. The auxiliary fuel tank for a vehicle shown in FIGS. 1-7 illustrates a first embodiment of our novel design shown on the left side of a vehicle. Our design also includes a second embodiment suitable for use on the opposite side of the vehicle, the second embodiment mirrors symmetrically FIGS. 1-8 and therefore is not separately illustrated.

1 Claim, 3 Drawing Sheets



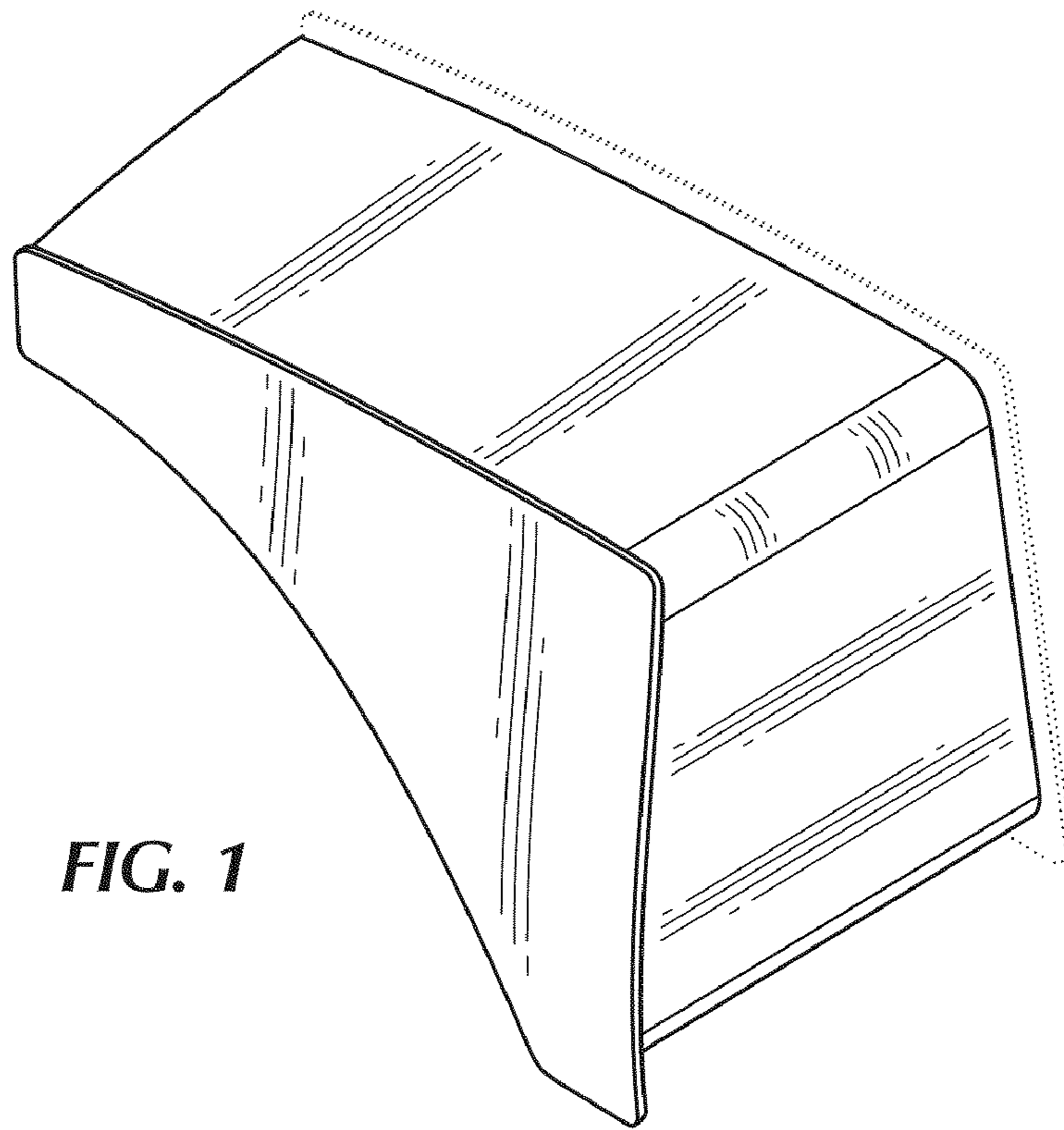


FIG. 1

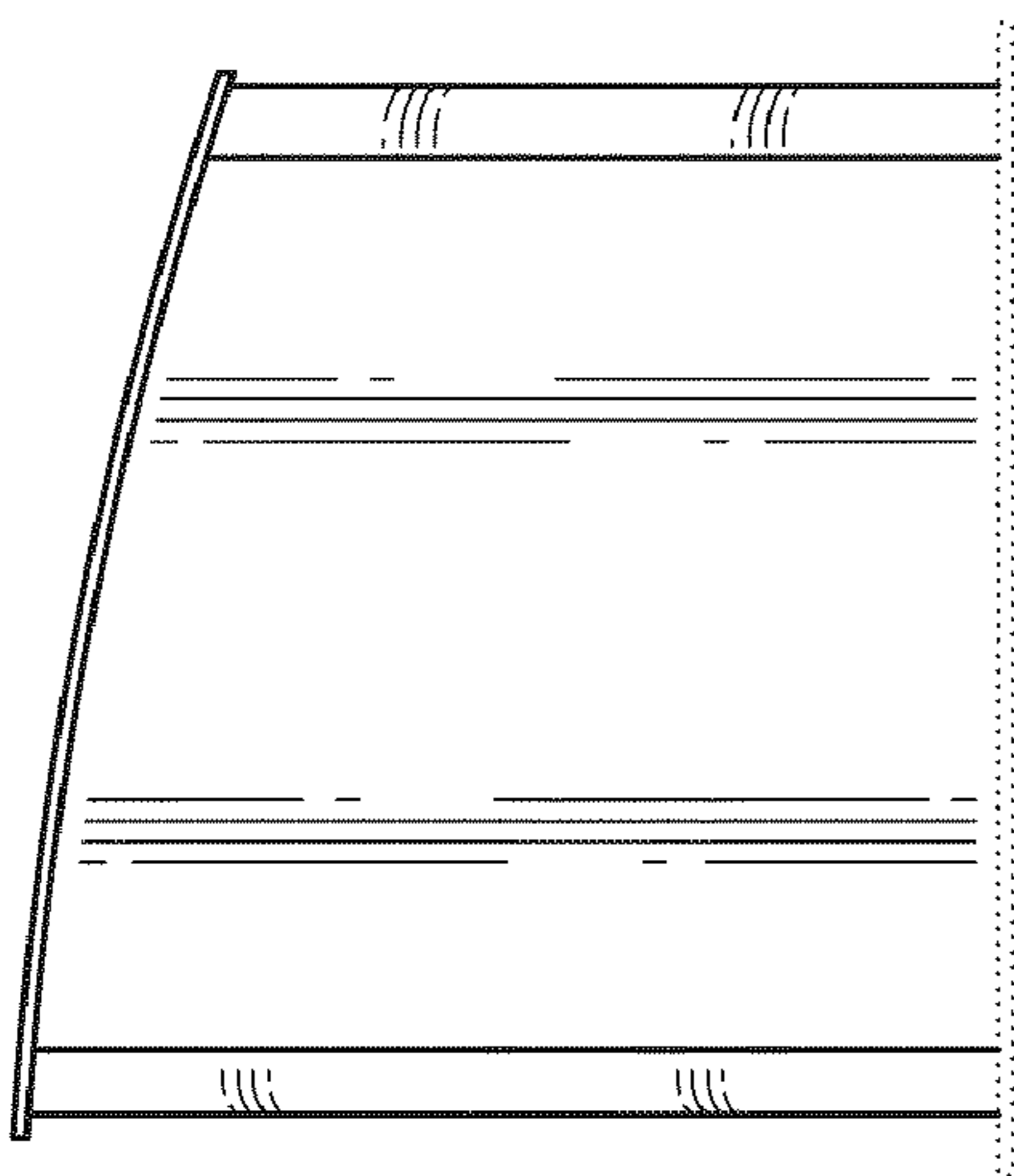


FIG. 2

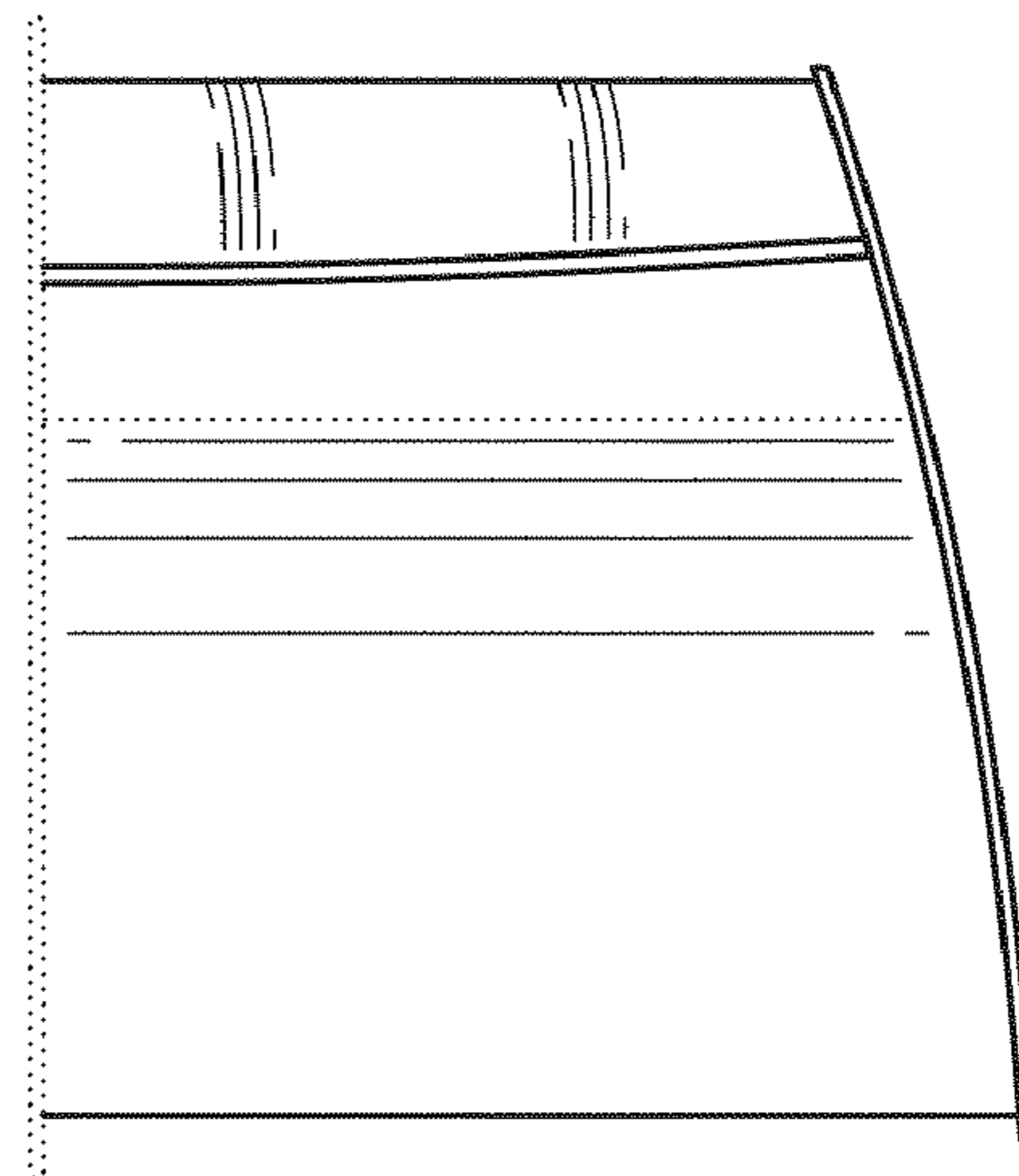


FIG. 3

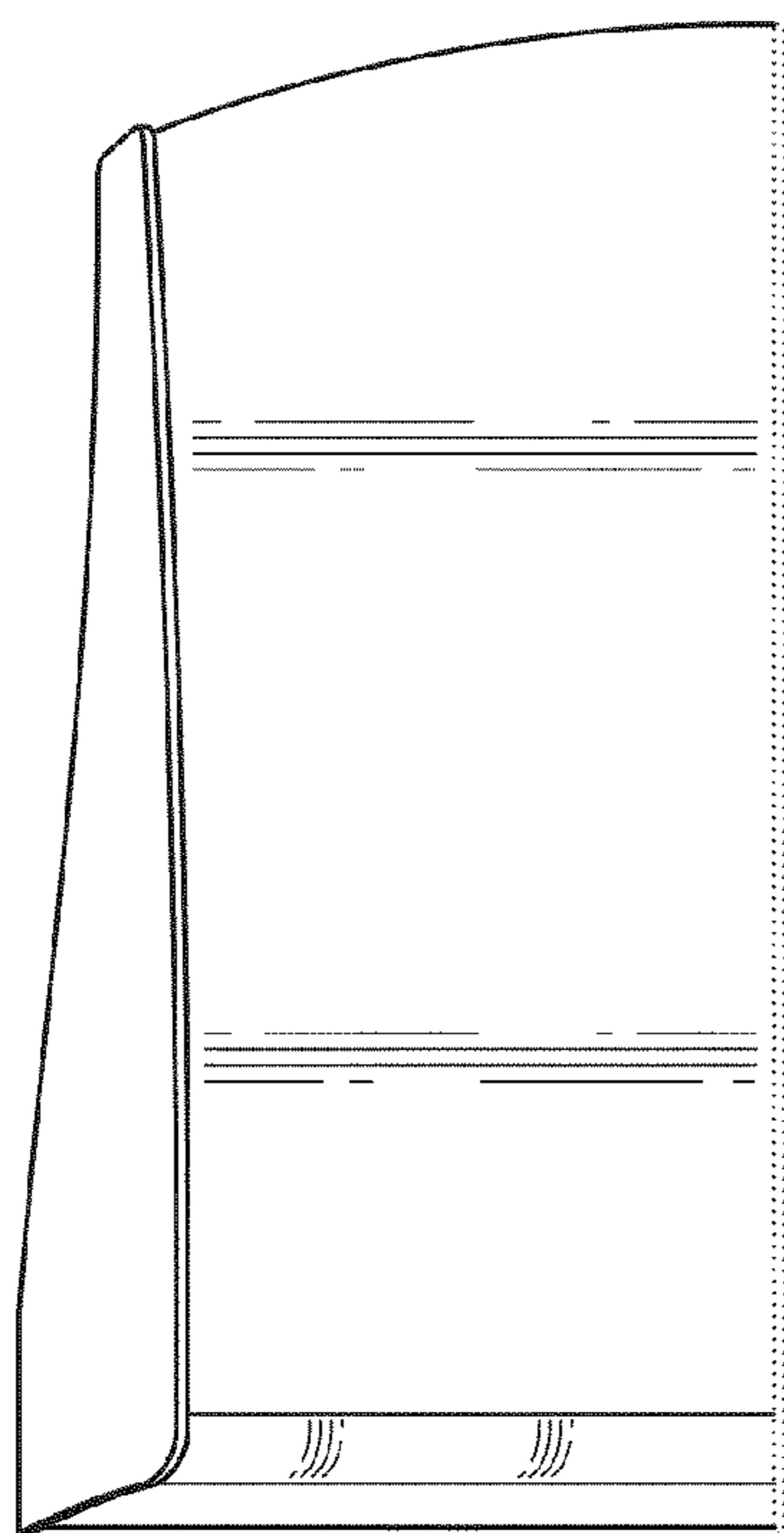
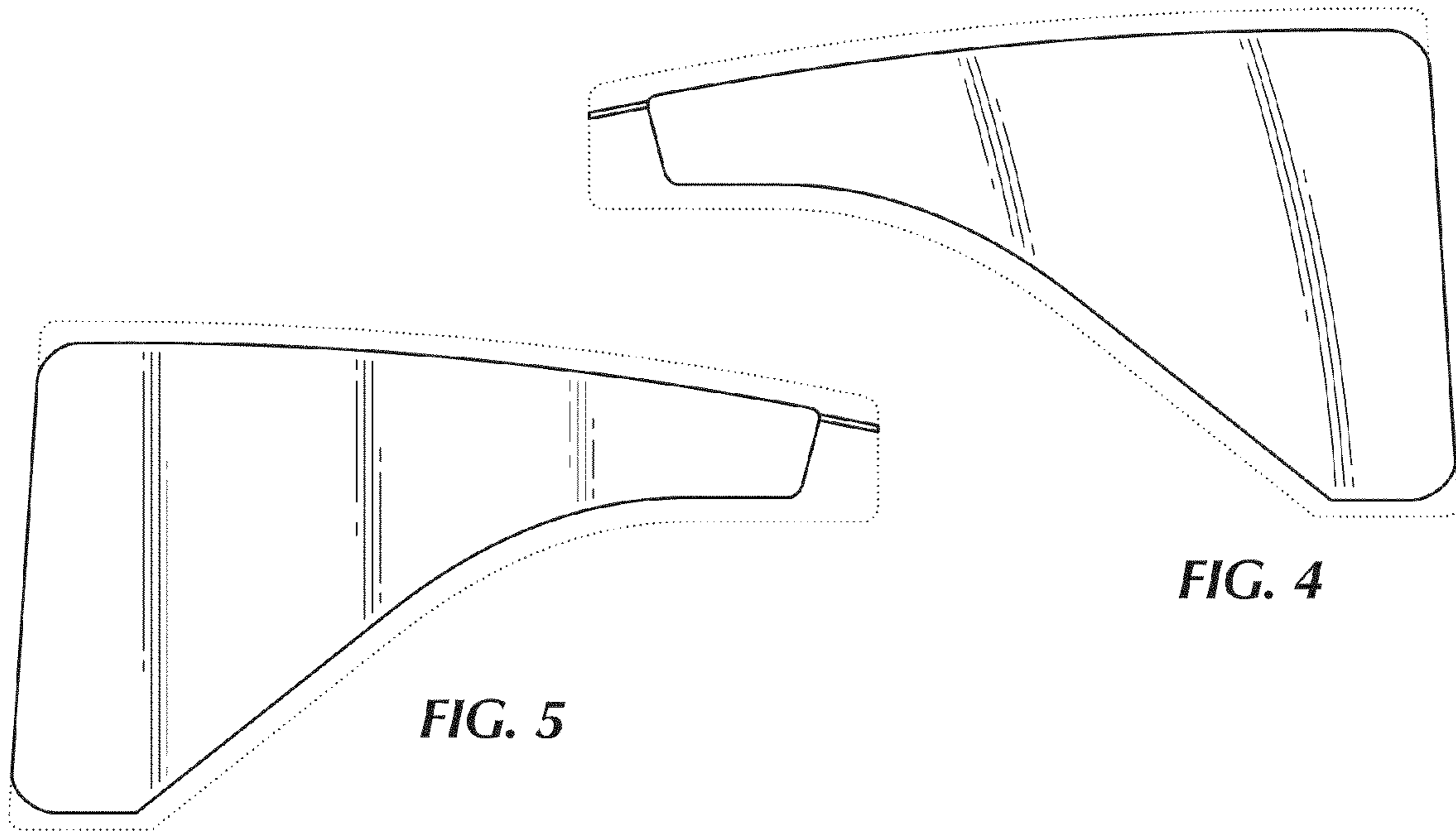


FIG. 6

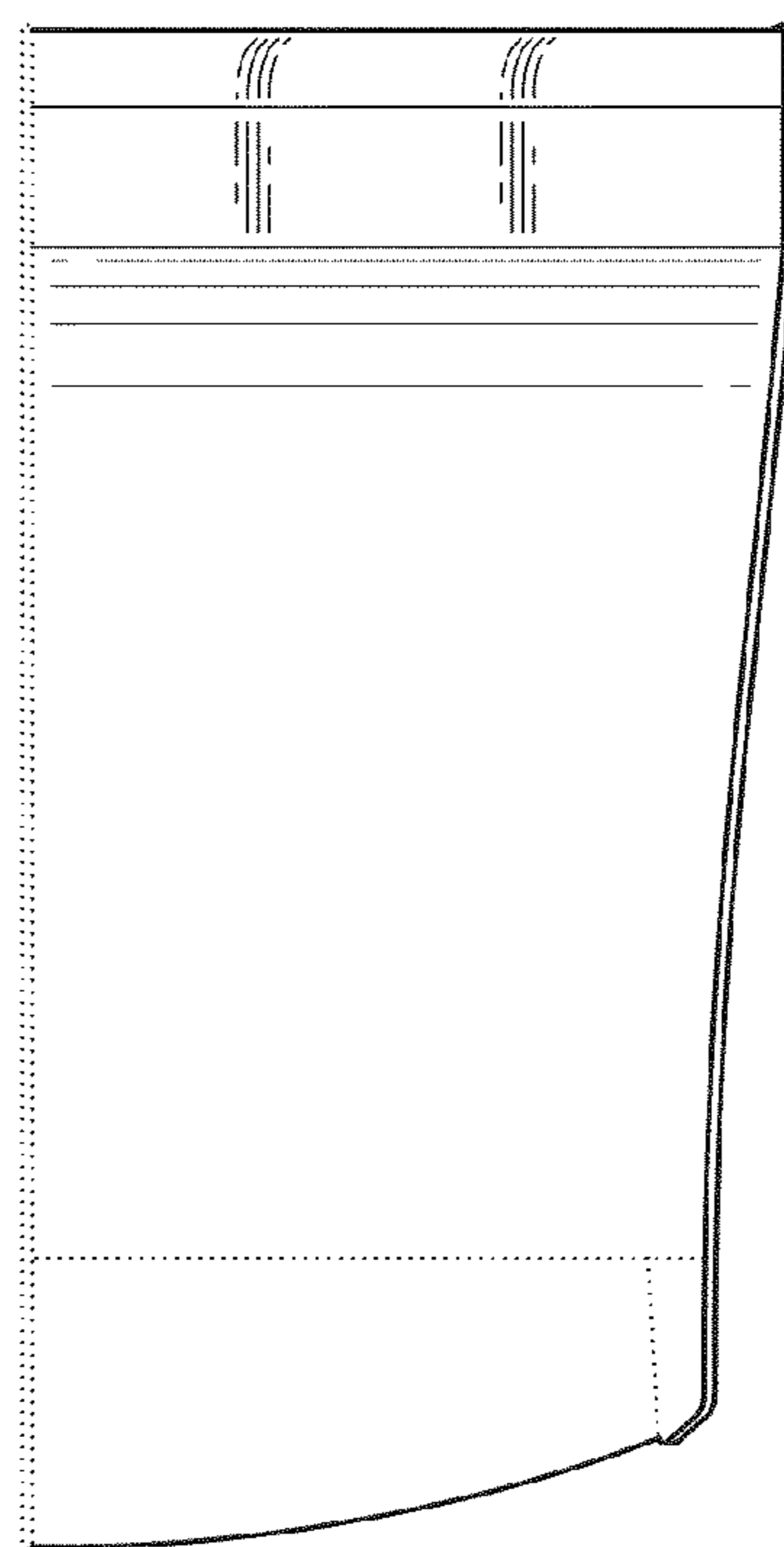


FIG. 7

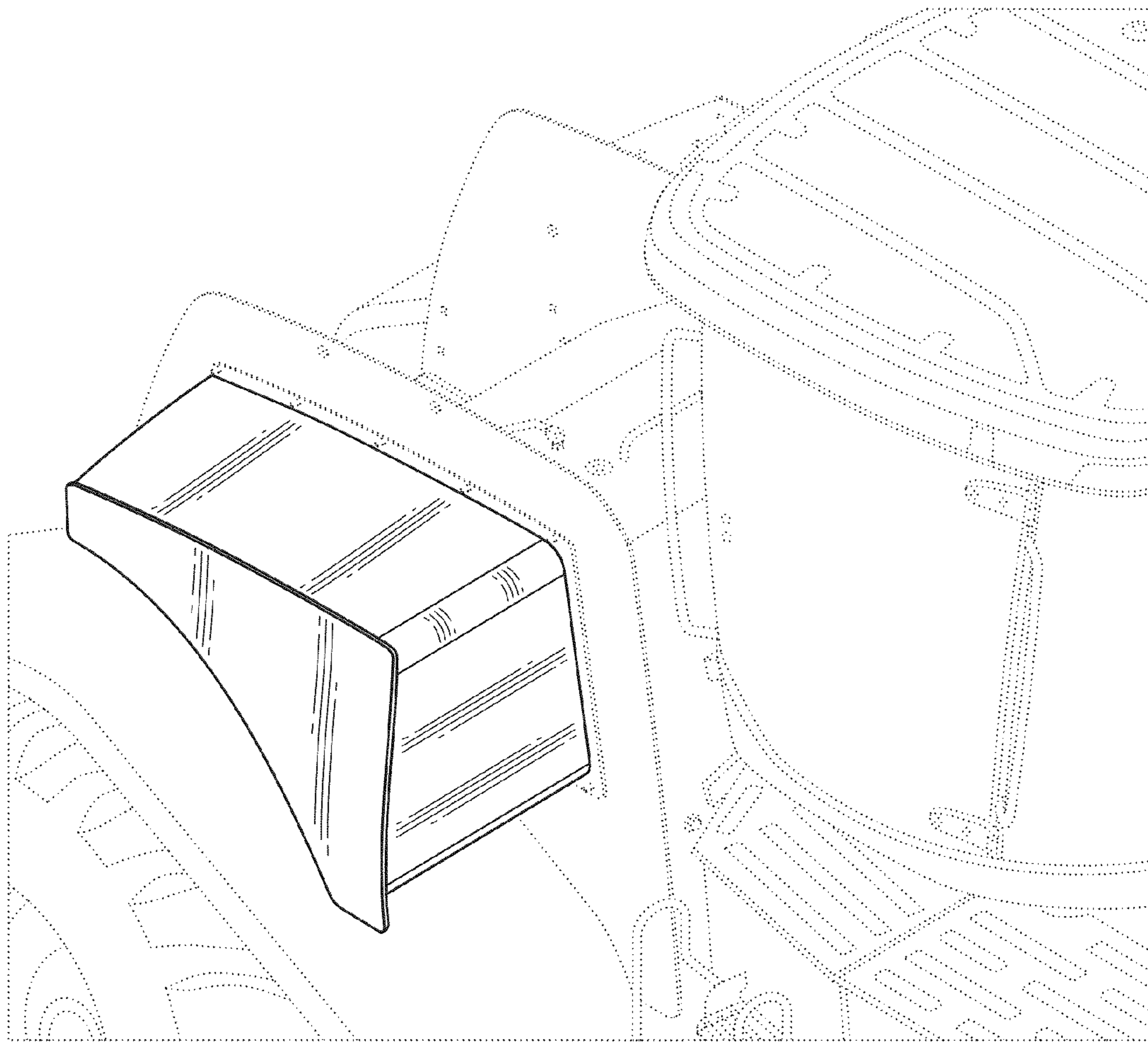


FIG. 8