



US00D644158S

(12) **United States Design Patent**  
**Nissl**

(10) **Patent No.:** **US D644,158 S**

(45) **Date of Patent:** **\*\* Aug. 30, 2011**

(54) **WHEEL OR WHEEL COVER**

(75) **Inventor:** **Florian Dieter Nissl, Munich (DE)**

(73) **Assignee:** **Bayerische Motoren Werke  
Aktiengesellschaft, Munich (DE)**

(\*\*) **Term:** **14 Years**

(21) **Appl. No.:** **29/371,356**

(22) **Filed:** **Jan. 14, 2011**

(30) **Foreign Application Priority Data**

Jul. 16, 2010 (DE) ..... 402010003916

(51) **LOC (9) Cl.** ..... **12-16**

(52) **U.S. Cl.** ..... **D12/211**

(58) **Field of Classification Search** ..... D12/204-213;  
301/37.101, 64.101, 65, 64.201

See application file for complete search history.

(56) **References Cited**

**U.S. PATENT DOCUMENTS**

D407,364 S	3/1999	Fisker	
D428,379 S *	7/2000	Donikoglu	D12/211
D474,440 S *	5/2003	Oh	D12/211
D480,036 S *	9/2003	Laengerer	D12/211
D506,172 S *	6/2005	Pfeiffer	D12/211
D514,050 S *	1/2006	Scheu	D12/211
D516,487 S	3/2006	Hettler	
D522,949 S	6/2006	Elmitt	

D535,605 S *	1/2007	Guevara	D12/211
D546,263 S *	7/2007	Hernandez	D12/211
D569,322 S *	5/2008	Scheu	D12/211
D570,276 S *	6/2008	Chung	D12/211
D580,840 S	11/2008	Elmitt	
D585,353 S *	1/2009	Scheu	D12/211
D585,807 S *	2/2009	Scheu	D12/211
D614,112 S *	4/2010	Tant et al.	D12/211
D625,245 S *	10/2010	Hans et al.	D12/211

**FOREIGN PATENT DOCUMENTS**

DE	M9701285.8	6/1997
EM	000273651-0002	3/2005
EM	000304274-0007	5/2005
EM	000871843-0001	3/2008

\* cited by examiner

*Primary Examiner* — Stacia Cadmus

(74) *Attorney, Agent, or Firm* — Crowell & Moring LLP

(57) **CLAIM**

The ornamental design for a wheel or wheel cover, as shown and described.

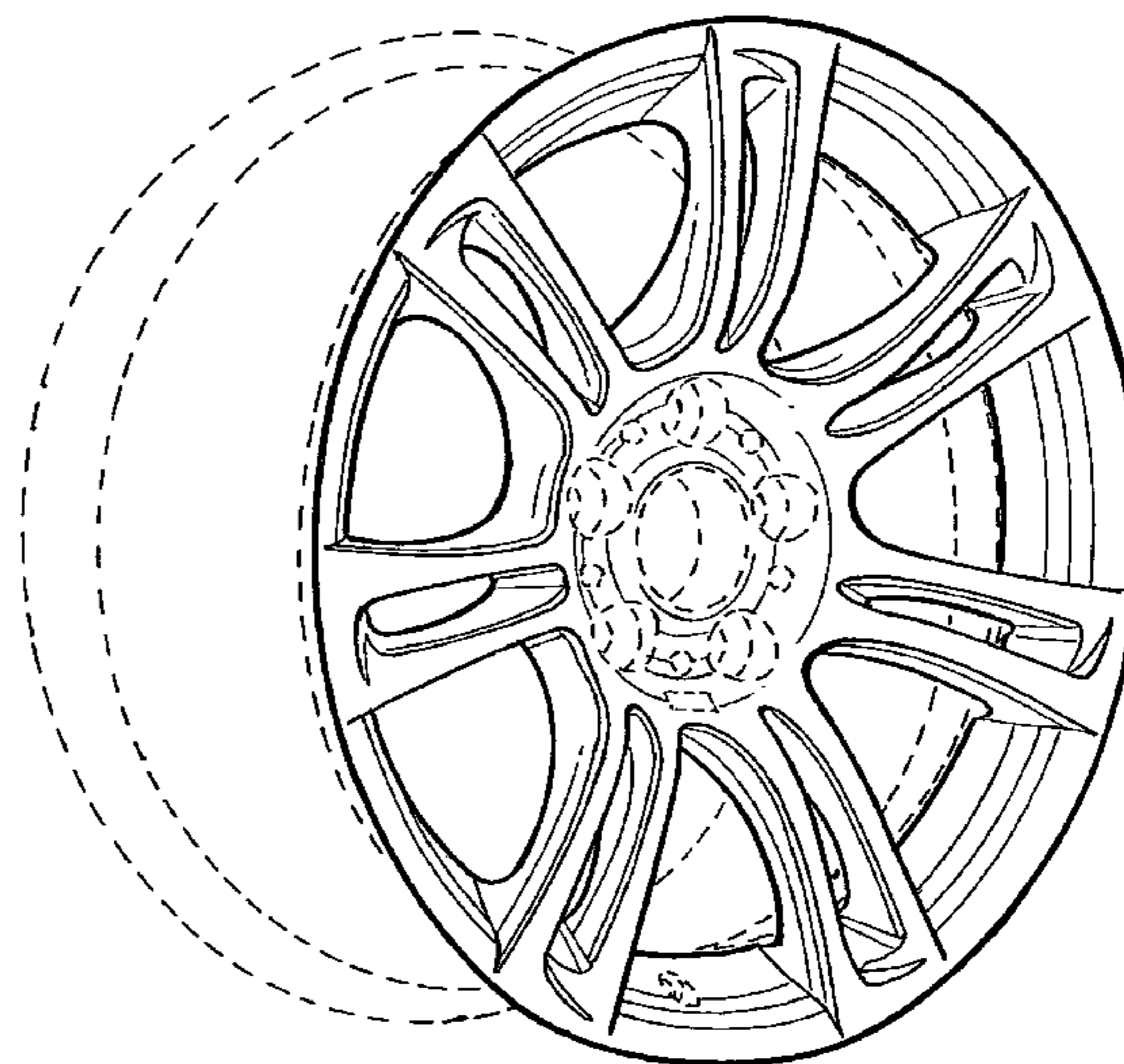
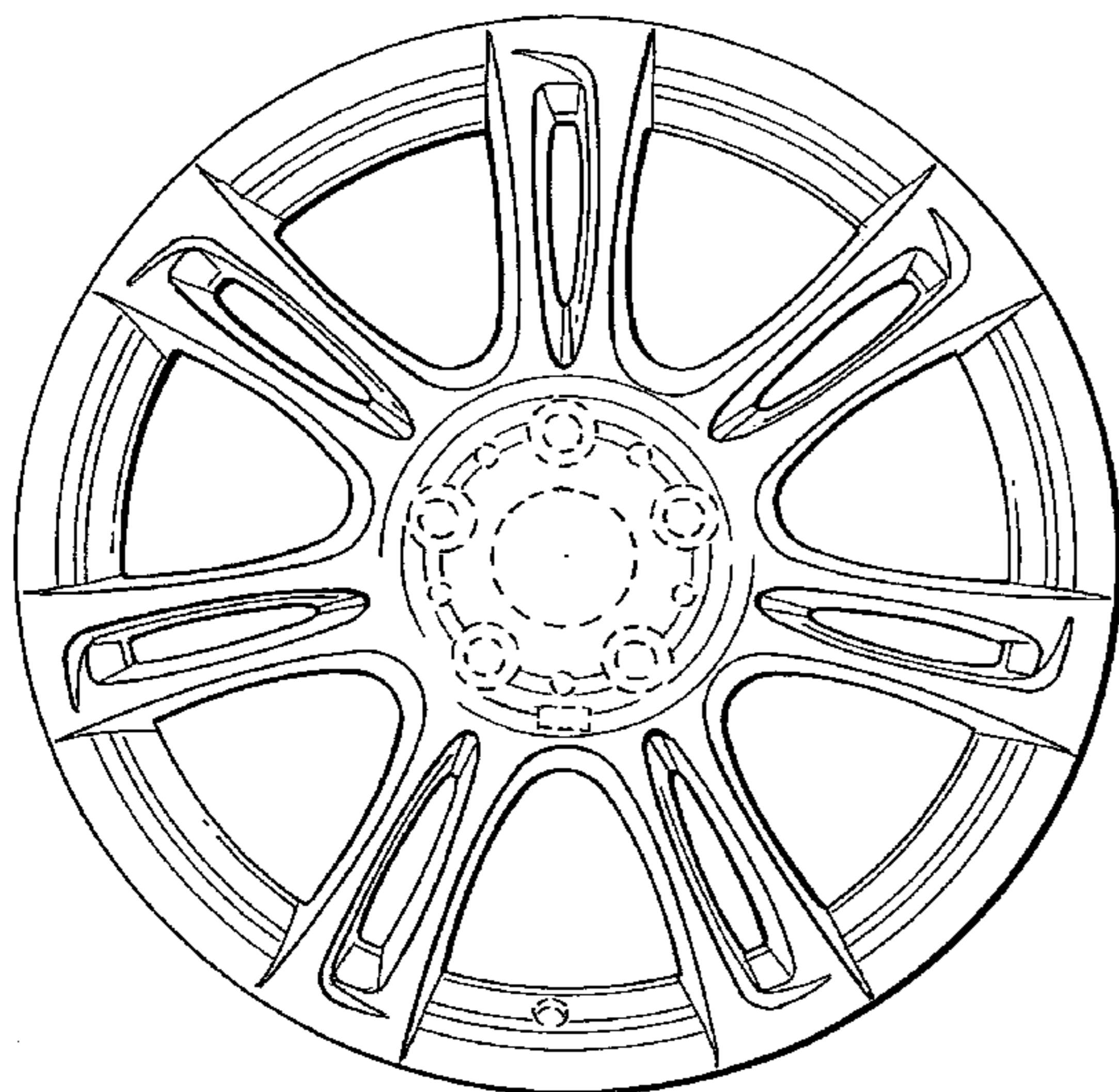
**DESCRIPTION**

FIG. 1 is a front view of a wheel or wheel cover according to my design; and,

FIG. 2 is a perspective view thereof.

The broken line showing of the rear of the wheel, the valve stem hole, the bolt holes and the center hole in the central hub area is included for the purpose of illustrating environment and forms no part of the claimed design.

**1 Claim, 1 Drawing Sheet**



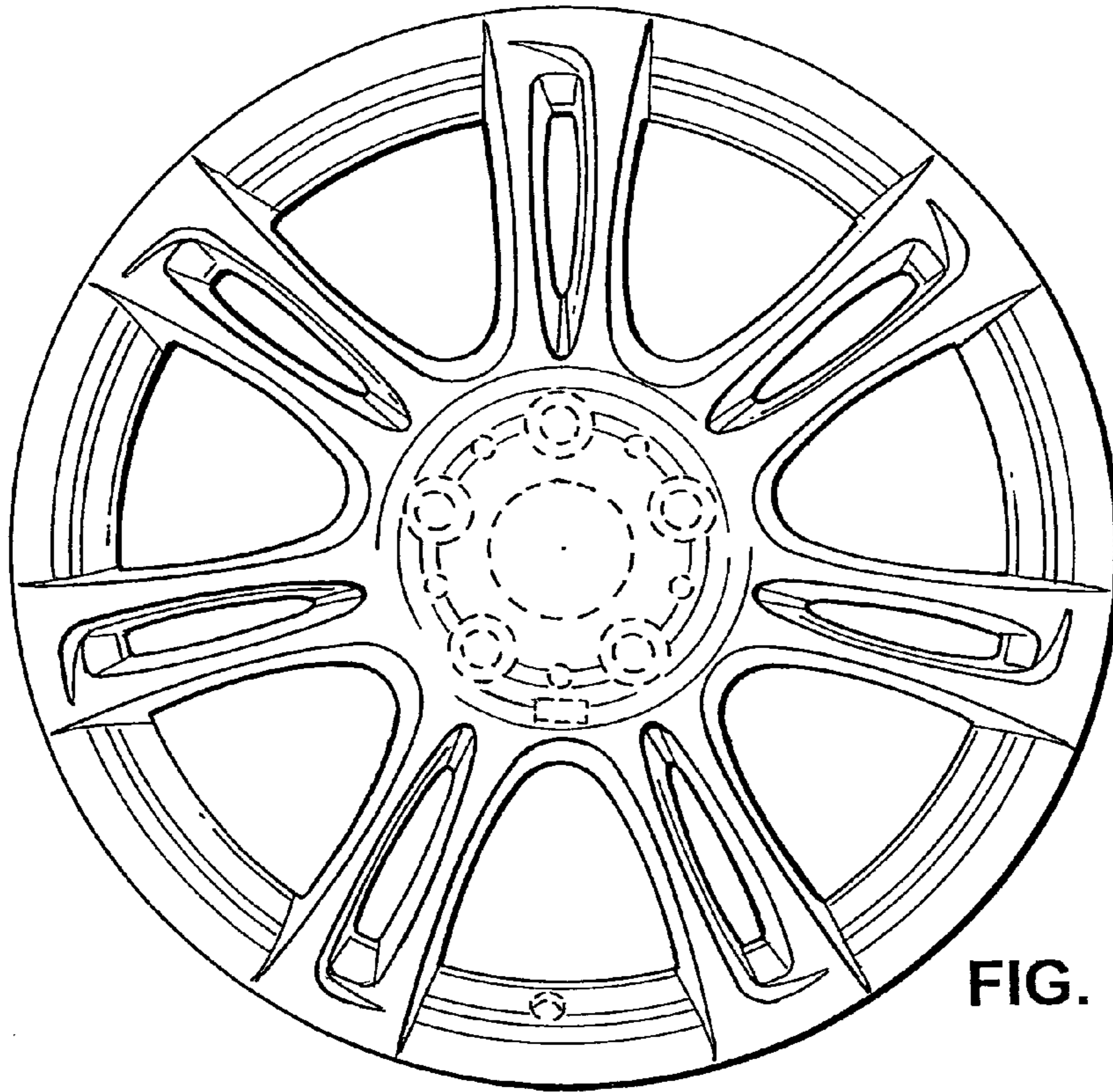


FIG. 1

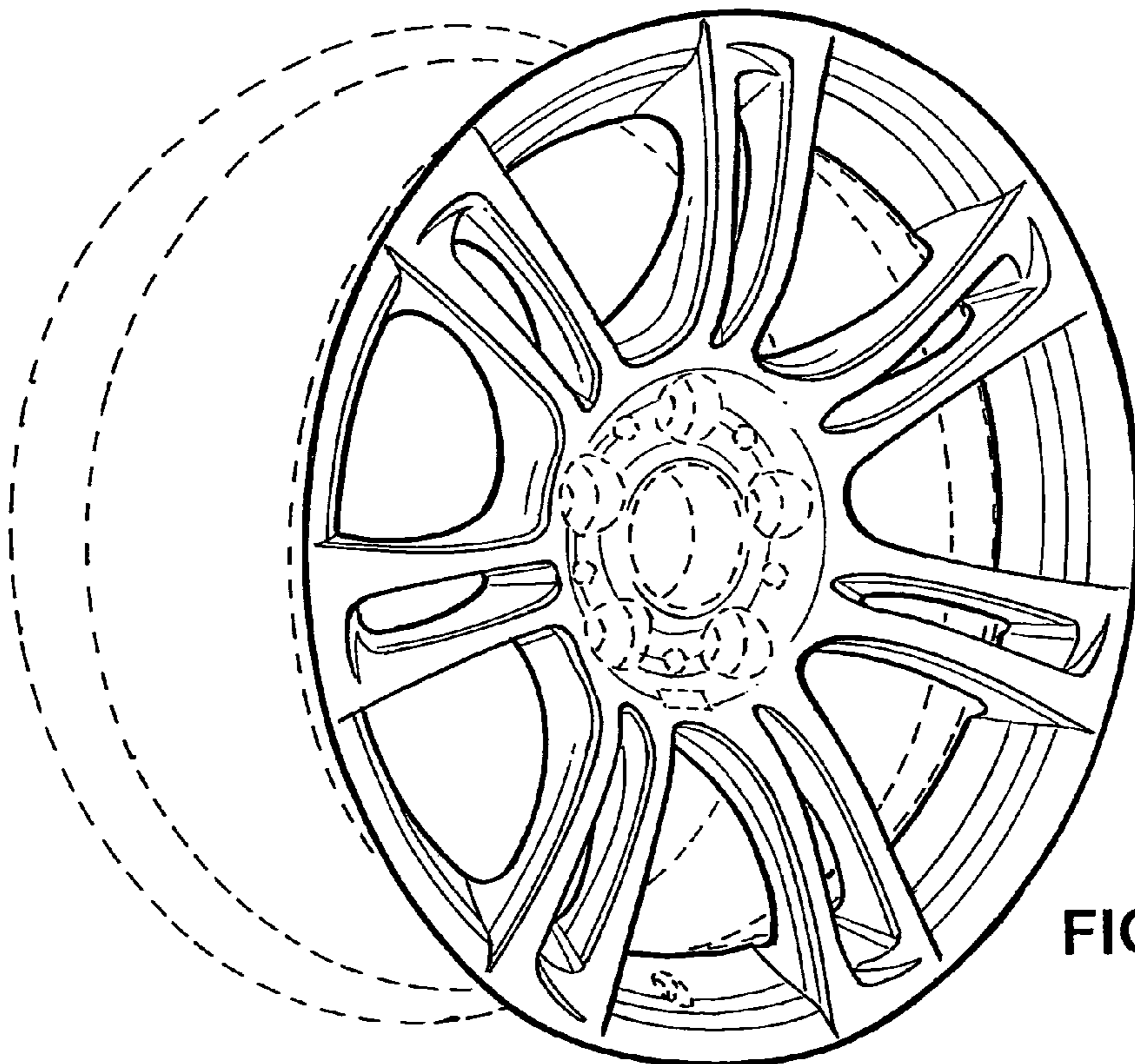


FIG. 2