



US00D644156S

(12) **United States Design Patent**
Johnson

(10) **Patent No.:** **US D644,156 S**

(45) **Date of Patent:** **** Aug. 30, 2011**

(54) **AUTOMOTIVE WHEEL**

(76) **Inventor:** **Kelly Johnson**, Placentia, CA (US)

(**) **Term:** **14 Years**

(21) **Appl. No.:** **29/382,596**

(22) **Filed:** **Jan. 5, 2011**

(51) **LOC (9) Cl.** **12-16**

(52) **U.S. Cl.** **D12/209**

(58) **Field of Classification Search** D12/204-213;
301/37.101, 64.101, 65, 64.201

See application file for complete search history.

(56) **References Cited**

U.S. PATENT DOCUMENTS

D388,045 S * 12/1997 Sakagami et al. D12/209
D440,534 S * 4/2001 Ivanova et al. D12/211

D456,332 S * 4/2002 Vian D12/211
D543,922 S * 6/2007 Young D12/209
D591,663 S * 5/2009 Chung D12/211
D604,683 S * 11/2009 Hosai D12/209
D633,840 S * 3/2011 Johnson D12/209

* cited by examiner

Primary Examiner — Stacia Cadmus

(74) *Attorney, Agent, or Firm* — MKW Alloy Inc; Kevin Lee

(57) **CLAIM**

The ornamental design for an automotive wheel, as shown and described.

DESCRIPTION

FIG. 1 is a front view of an automotive wheel, showing my new design; and,

FIG. 2 is a perspective view thereof.

1 Claim, 2 Drawing Sheets

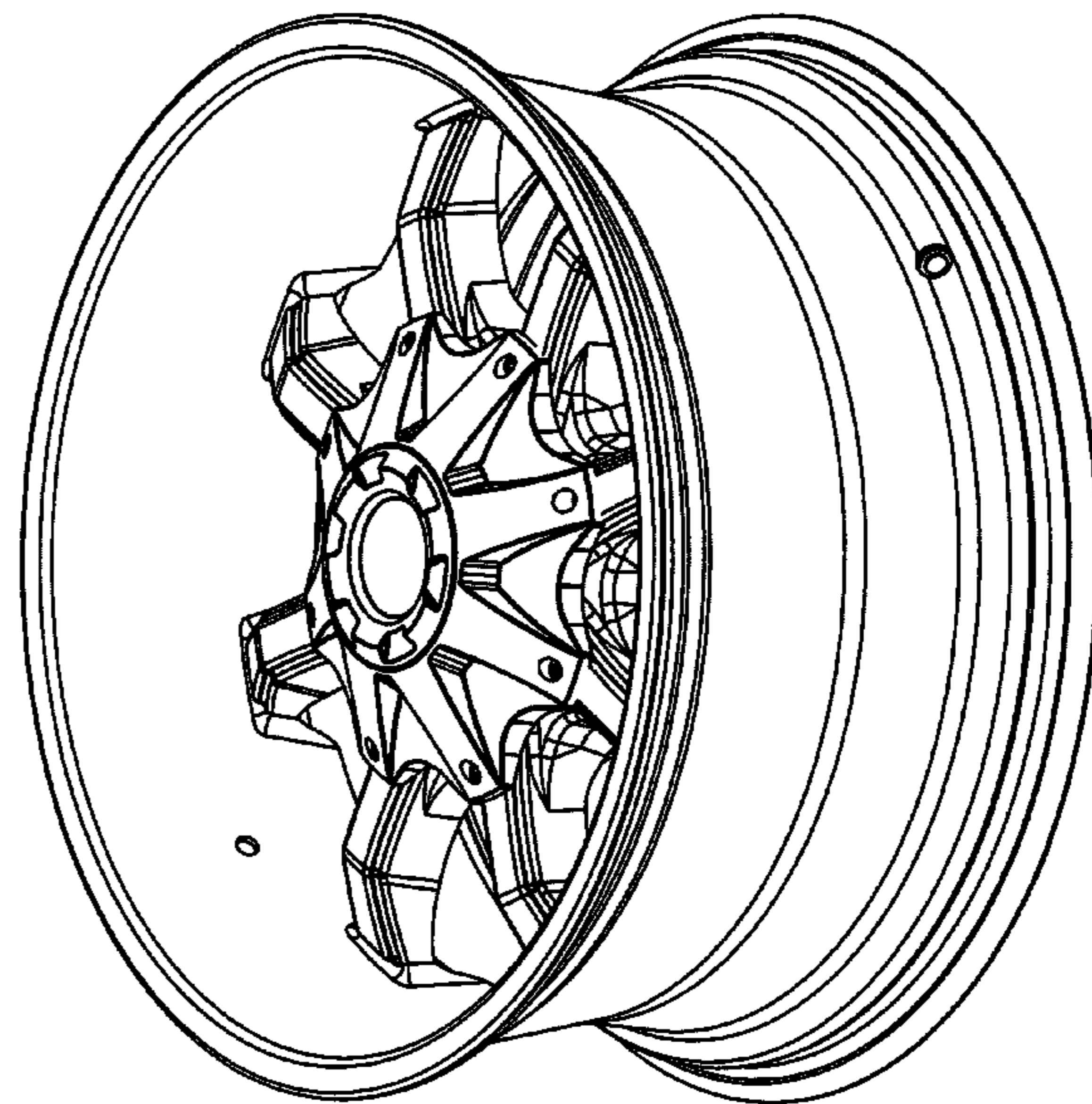
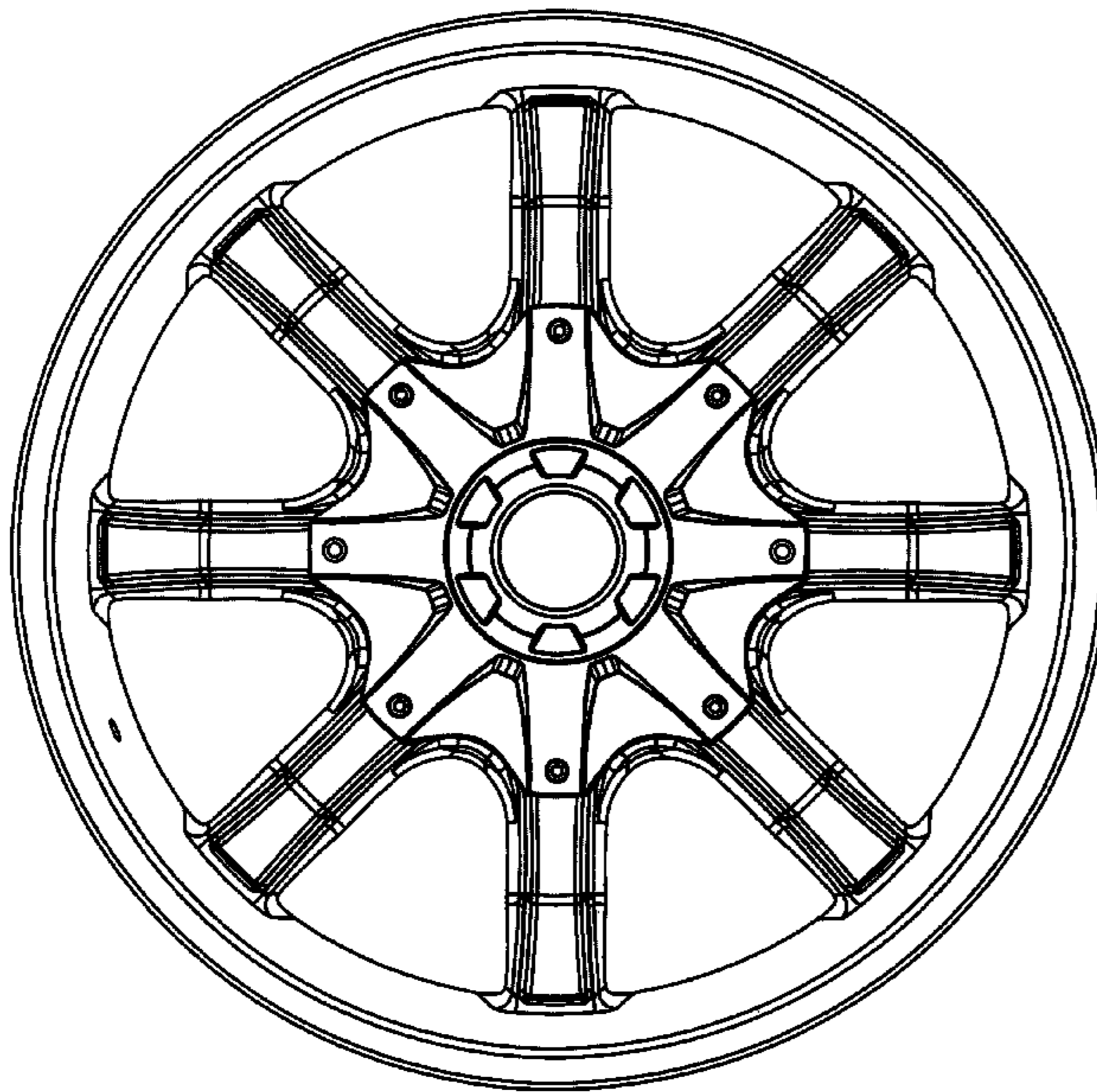


FIGURE 1

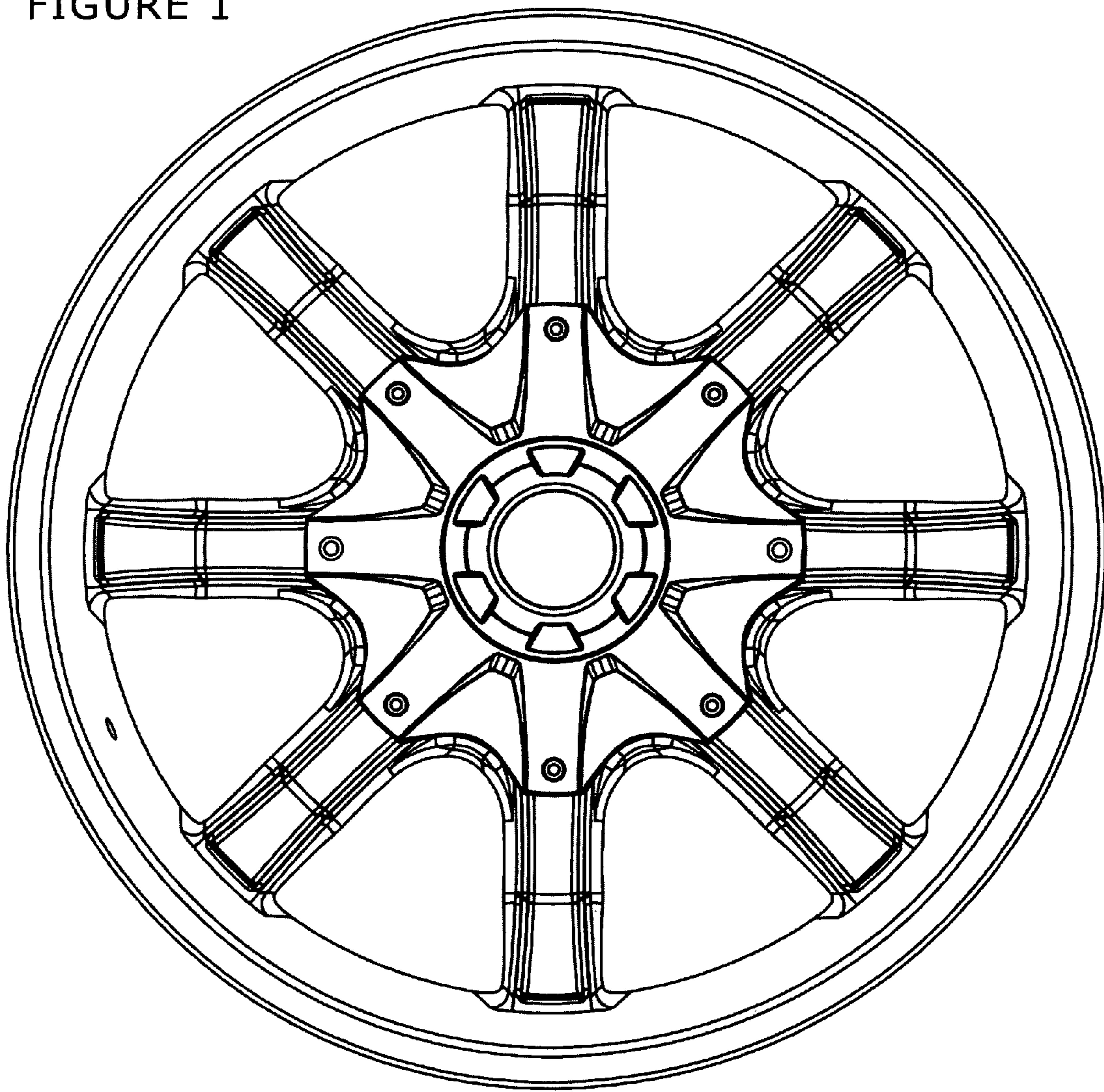


FIGURE 2

