

US00D644155S

(12) **United States Design Patent**  
**Truebsbach**

(10) **Patent No.:** **US D644,155 S**

(45) **Date of Patent:** **\*\* Aug. 30, 2011**

(54) **WHEEL OR WHEEL COVER**

(75) **Inventor:** **Sebastian Truebsbach**, Andechs (DE)

(73) **Assignee:** **Bayerische Motoren Werke  
Aktiengesellschaft**, Munich (DE)

(\*\*) **Term:** **14 Years**

(21) **Appl. No.:** **29/371,361**

(22) **Filed:** **Jan. 14, 2011**

(30) **Foreign Application Priority Data**

Jul. 16, 2010 (DE) ..... 40 2010 003 916

(51) **LOC (9) Cl.** ..... **12-16**

(52) **U.S. Cl.** ..... **D12/209**

(58) **Field of Classification Search** ..... D12/204-213;  
301/37.101, 64.101, 65, 64.201

See application file for complete search history.

(56) **References Cited**

**U.S. PATENT DOCUMENTS**

D437,821 S	2/2001	Frohlich	
D503,918 S	4/2005	Fahr-Becker	
D510,554 S	10/2005	Markelka	
D516,002 S *	2/2006	Fahr-Becker	D12/211
D516,487 S	3/2006	Hettler	
D522,949 S	6/2006	Elmitt	
D563,306 S *	3/2008	Pfeiffer	D12/213
D574,310 S *	8/2008	Huet	D12/209
D581,853 S *	12/2008	Rak	D12/211
D582,331 S *	12/2008	Blasi	D12/209
D594,396 S	6/2009	Juergens et al.	
D615,018 S *	5/2010	Truebsbach	D12/211
D620,417 S *	7/2010	Gallert	D12/209

D625,235 S *	10/2010	Nissl	D12/209
D627,287 S *	11/2010	Gallert	D12/209
D631,813 S *	2/2011	Nissl	D12/209
D634,691 S *	3/2011	Park	D12/211
D635,904 S *	4/2011	Futschik et al.	D12/209

**FOREIGN PATENT DOCUMENTS**

DE	49906969.2	12/1999
EM	000062591-0005	5/2004
EM	000141791-0005	6/2004
EM	000273651-0002	3/2005
EM	000304274-0007	5/2005
EM	000825609-0003	11/2009
EM	001636978-0004	11/2010

\* cited by examiner

*Primary Examiner* — Stacia Cadmus

(74) *Attorney, Agent, or Firm* — Crowell & Moring LLP

(57) **CLAIM**

The ornamental design for a wheel or wheel cover, as shown and described.

**DESCRIPTION**

This application contains subject matter related to the following co-pending U.S. design patent application:

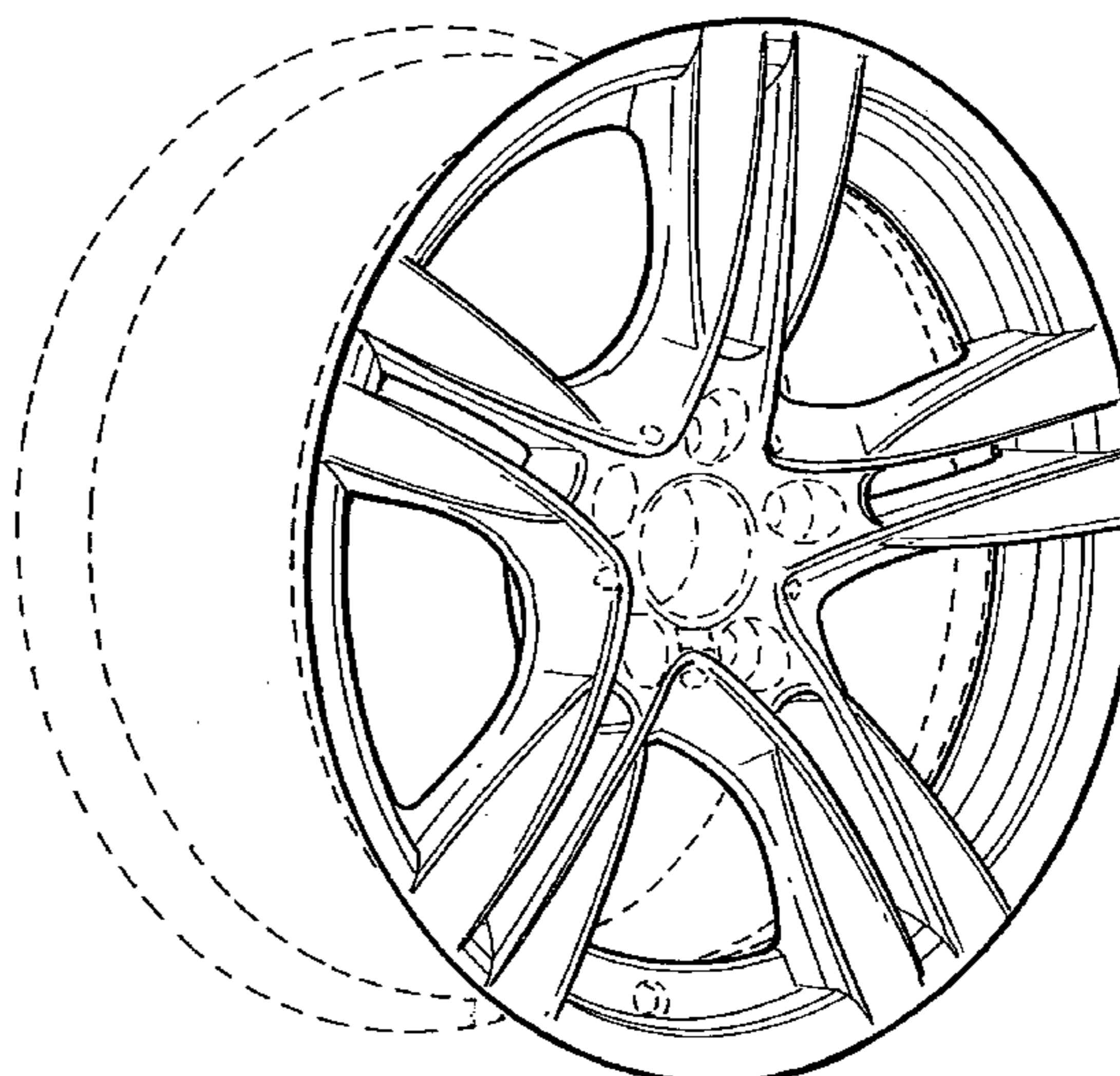
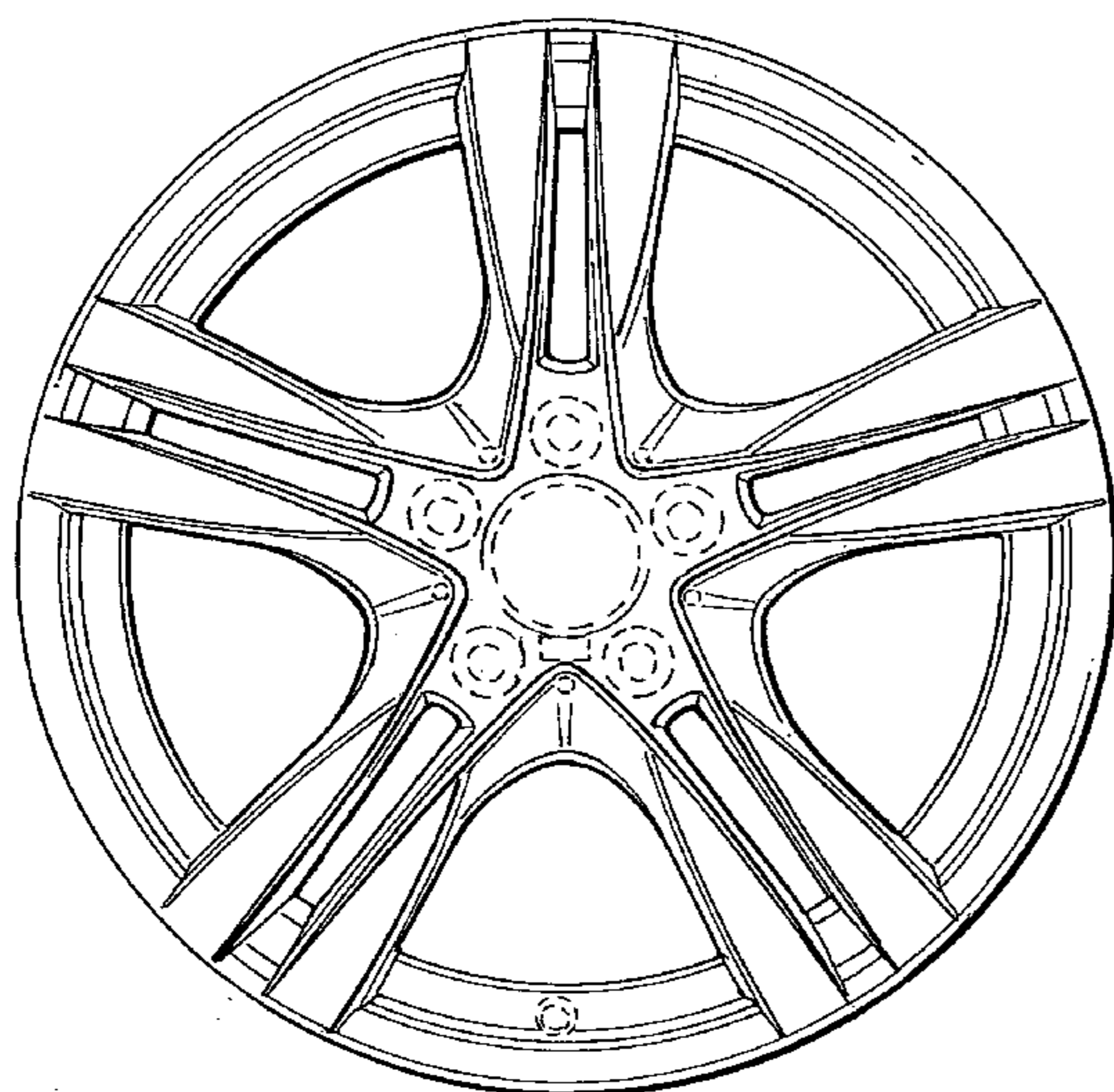
Application Ser. No. 29/347,281, filed Nov. 19, 2009 and entitled "Wheel or Wheel Cover."

FIG. 1 is a front view of a wheel or wheel cover according to my design; and,

FIG. 2 is a perspective view thereof.

The broken line showing of the rear of the wheel, the valve stem hole, the bolt holes and the center hole in the central hub area is included for the purpose of illustrating environment and forms no part of the claimed design.

**1 Claim, 1 Drawing Sheet**



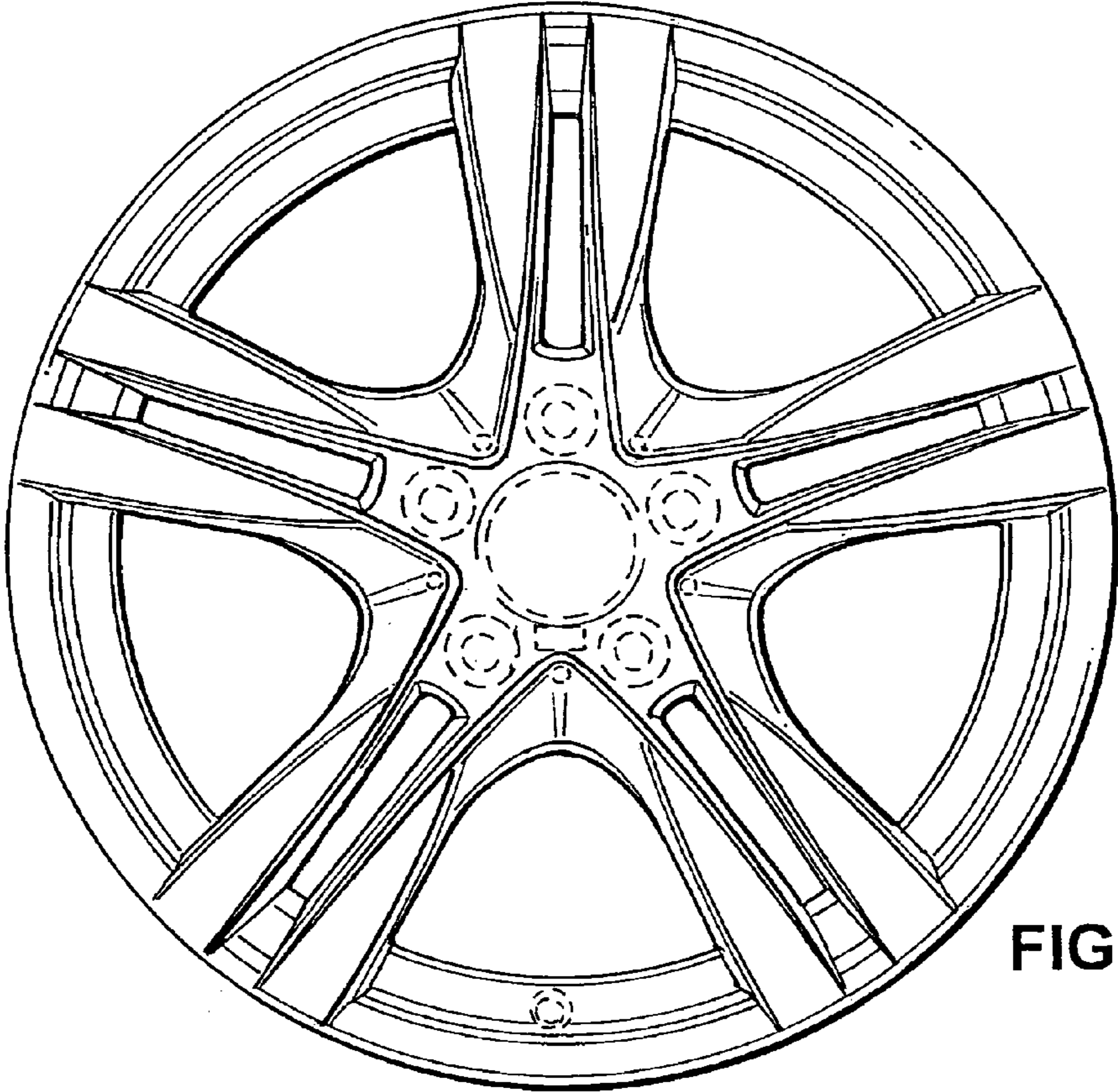


FIG. 1

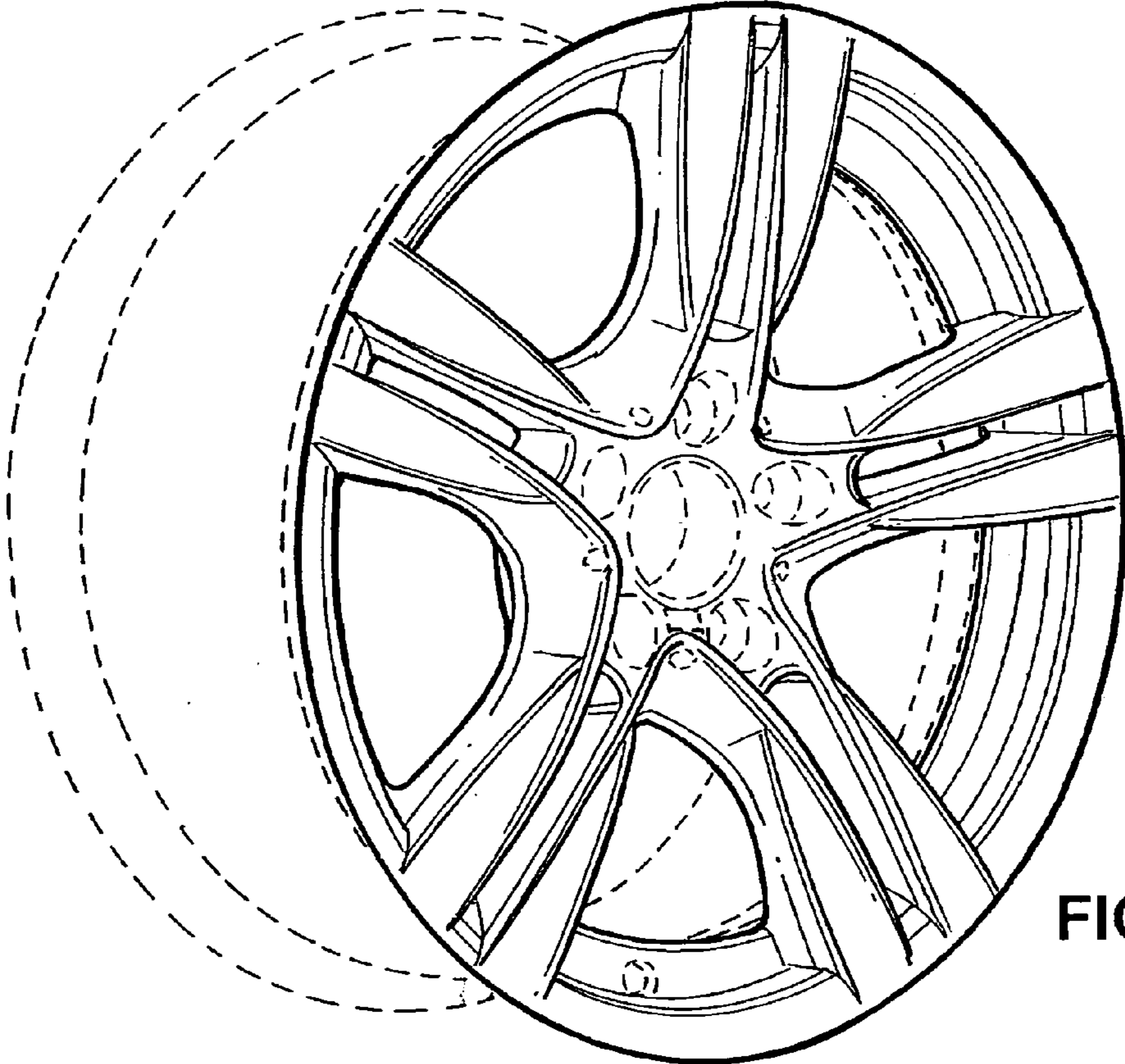


FIG. 2