



US00D644154S

(12) **United States Design Patent**
Antoniadis et al.

(10) **Patent No.:** **US D644,154 S**

(45) **Date of Patent:** **** *Aug. 30, 2011**

(54) **WHEEL OR WHEEL COVER**

(75) Inventors: **Apostolos Antoniadis**, Sindelfingen (DE); **Thomas Binder**, Stuttgart (DE); **Stefan Handt**, Stuttgart (DE)

(73) Assignee: **Daimler AG**, Stuttgart (DE)

(*) Notice: This patent is subject to a terminal disclaimer.

(**) Term: **14 Years**

(21) Appl. No.: **29/311,943**

(22) Filed: **Aug. 4, 2009**

(30) **Foreign Application Priority Data**

May 13, 2009 (EM) 001510330-0001

(51) **LOC (9) Cl.** **12-16**

(52) **U.S. Cl.** **D12/209**

(58) **Field of Classification Search** D12/204-213;
301/37.101, 64.101, 65, 64.201
See application file for complete search history.

(56) **References Cited**

U.S. PATENT DOCUMENTS

D451,461 S	*	12/2001	Arellano	D12/209
D463,348 S	*	9/2002	Kataoka	D12/209
D475,337 S	*	6/2003	Kataoka	D12/209
D481,342 S	*	10/2003	Kang	D12/209

D487,882 S	*	3/2004	Cahyono	D12/209
D497,866 S	*	11/2004	Walbey, Jr.	D12/209
D501,174 S	*	1/2005	Kataoka	D12/209
D502,437 S	*	3/2005	Kushartanto	D12/209
D509,176 S	*	9/2005	Kataoka	D12/209
D538,728 S	*	3/2007	Pfeiffer	D12/209
D548,159 S	*	8/2007	Young	D12/209
D560,585 S	*	1/2008	Blasi	D12/209
D576,534 S	*	9/2008	Pfeiffer	D12/209
D587,180 S	*	2/2009	Pfeiffer	D12/209
D593,018 S	*	5/2009	Juergens et al.	D12/209
D601,074 S	*	9/2009	Buschmann	D12/209
D613,656 S	*	4/2010	Antoniadis et al.	D12/209

* cited by examiner

Primary Examiner — Stacia Cadmus

(74) *Attorney, Agent, or Firm* — Crowell & Moring LLP

(57) **CLAIM**

The ornamental design for a wheel or wheel cover, as shown and described.

DESCRIPTION

This application contains subject matter related to the following U.S. design patent application:

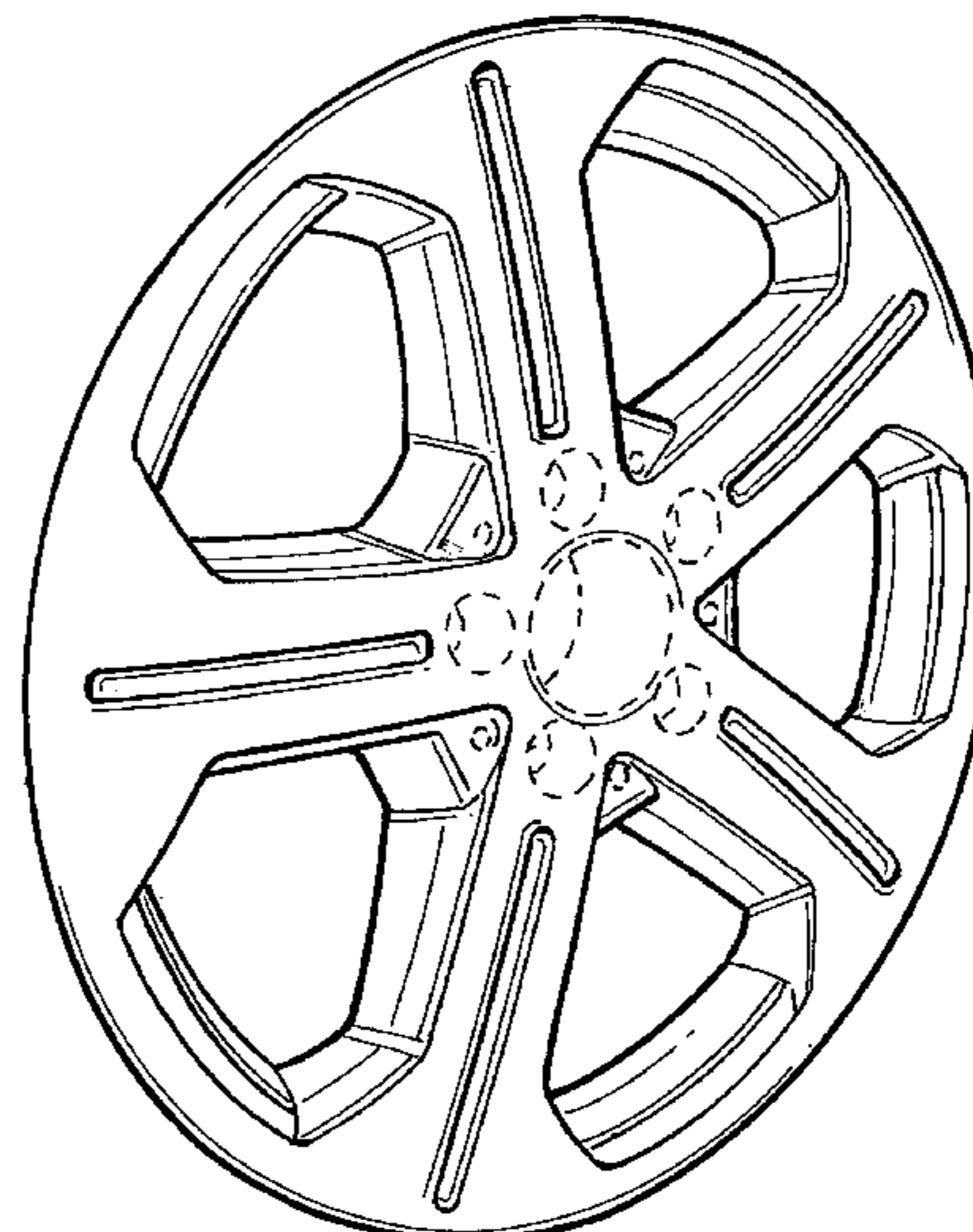
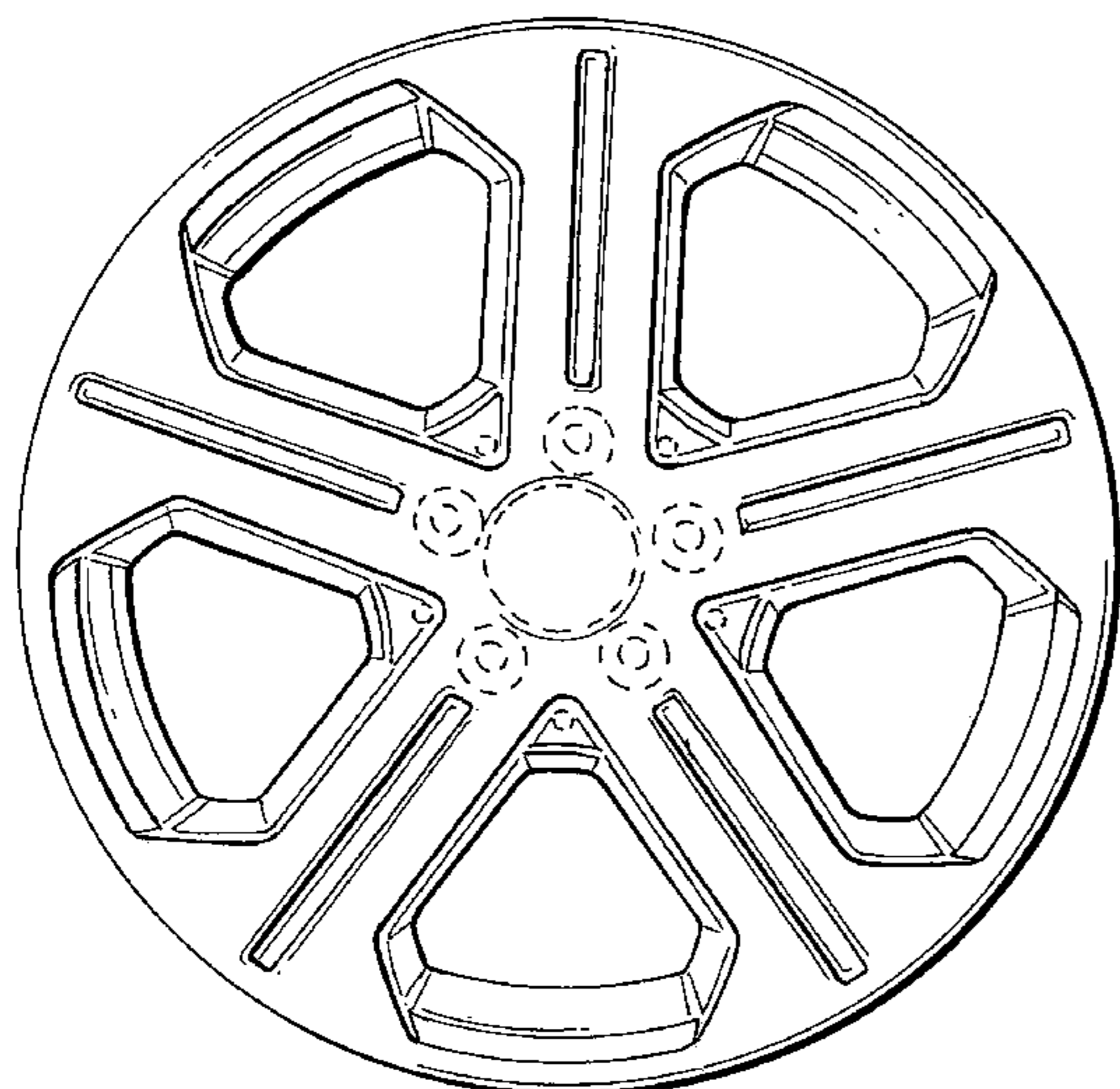
Application Ser. No. 29/311,594, filed Apr. 27, 2009 and entitled Wheel or Wheel Cover.

FIG. 1 is a front view of a wheel or wheel cover according to our design; and,

FIG. 2 is a perspective view thereof.

The broken line showing of the bolt holes and center hole in the central hub area is included for the purpose of illustrating environment and forms no part of the claimed design.

1 Claim, 1 Drawing Sheet



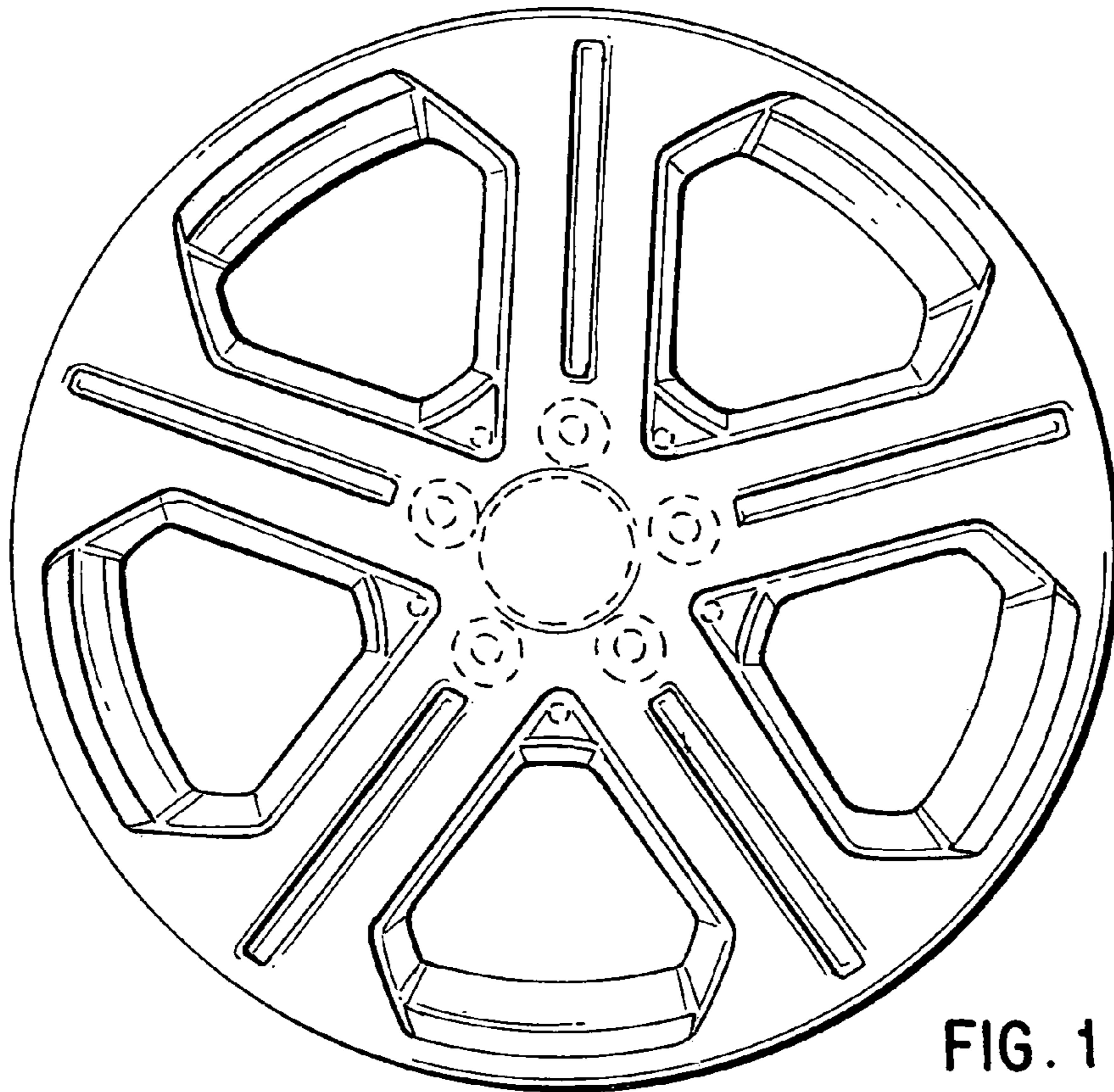


FIG. 1

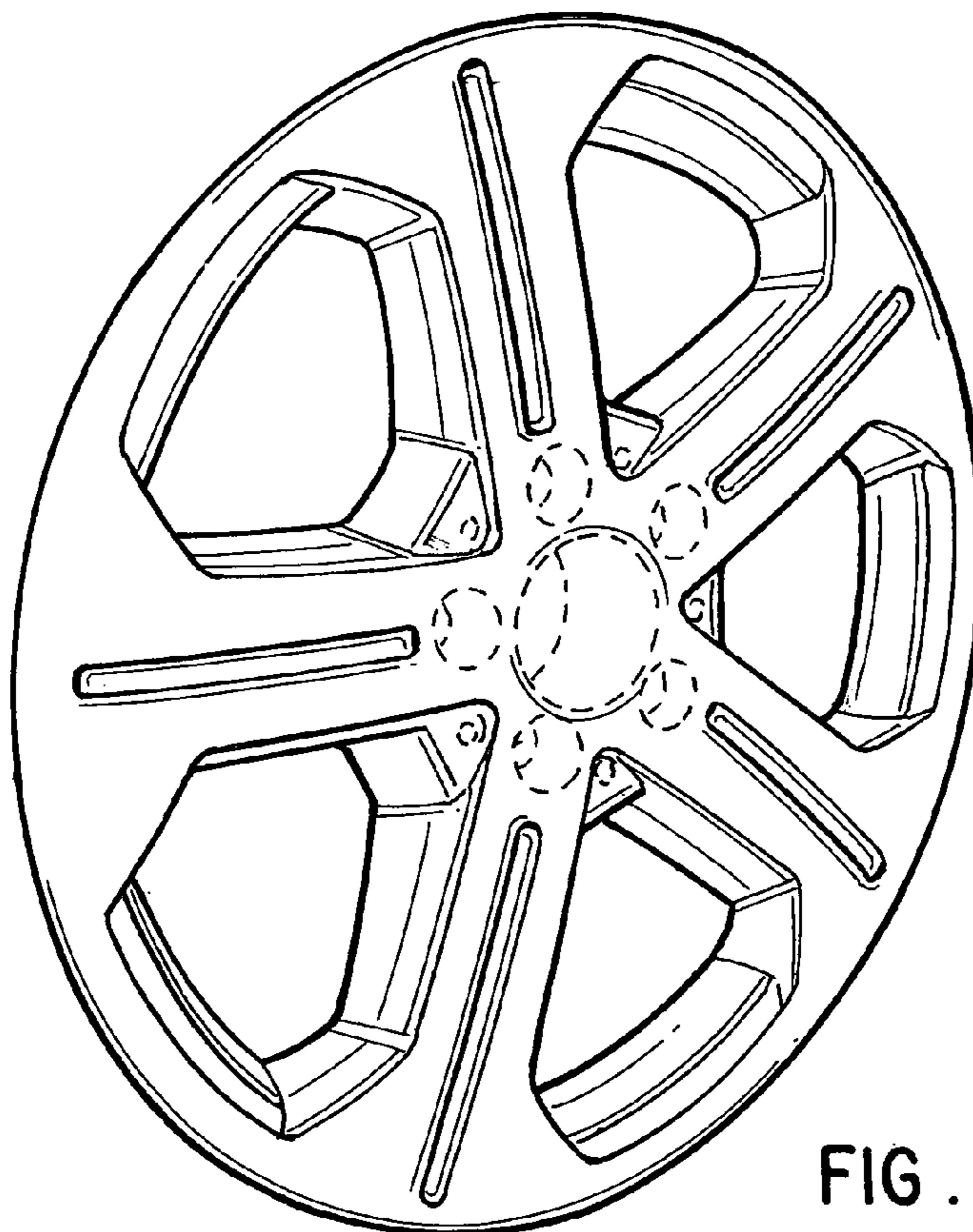


FIG. 2