



US00D644153S

(12) **United States Design Patent**  
**Finnie**

(10) **Patent No.:** **US D644,153 S**

(45) **Date of Patent:** **\*\* Aug. 30, 2011**

(54) **MOTORCYCLE WHEEL WITH SPOKES**

(75) Inventor: **Mark Finnie**, La Palma, CA (US)

(73) Assignee: **Performance Machine, Inc.**, La Palma, CA (US)

(\*\*) Term: **14 Years**

(21) Appl. No.: **29/392,296**

(22) Filed: **May 19, 2011**

(51) **LOC (9) Cl.** ..... **12-16**

(52) **U.S. Cl.** ..... **D12/205**

(58) **Field of Classification Search** ..... D12/204-213;  
301/37.101, 64.101, 65, 64.201

See application file for complete search history.

(56) **References Cited**

**U.S. PATENT DOCUMENTS**

D267,167 S \* 12/1982 Suzuki et al. .... D12/205  
D269,506 S \* 6/1983 Suzuki et al. .... D12/205

D269,603 S \* 7/1983 Whitmarsh ..... D12/205  
D387,027 S \* 12/1997 Bradley ..... D12/205  
D498,722 S \* 11/2004 Smith et al. .... D12/205  
D596,547 S \* 7/2009 Passarotto et al. .... D12/205  
D626,050 S \* 10/2010 Spahr et al. .... D12/205

\* cited by examiner

*Primary Examiner* — Stacia Cadmus

(74) *Attorney, Agent, or Firm* — David Pressman

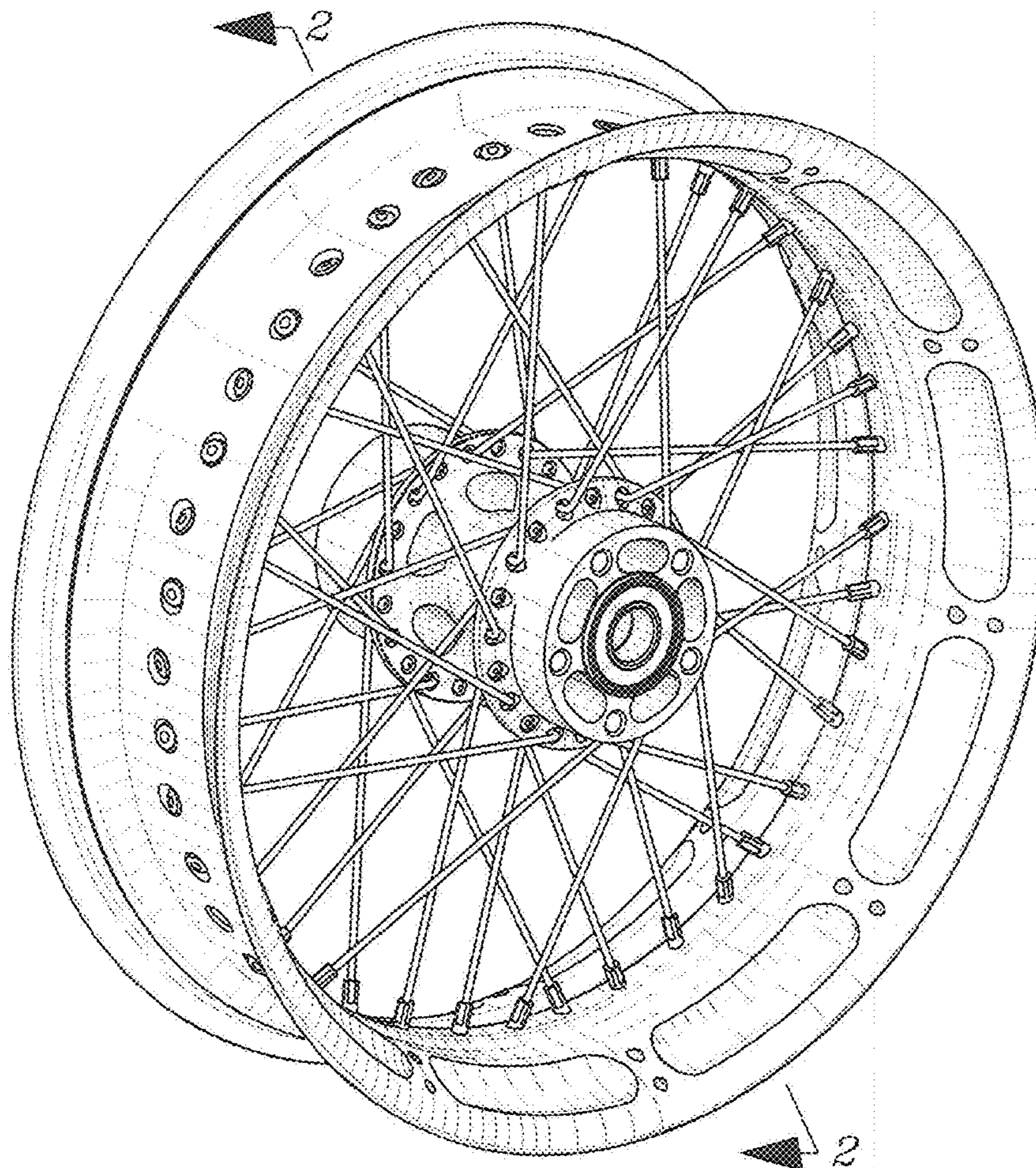
(57) **CLAIM**

The ornamental design for a motorcycle wheel with spokes, as shown and described.

**DESCRIPTION**

FIG. 1 is perspective view of an outer side of my motorcycle wheel with spokes taken from slightly above and to the left. The reverse or inner side is identical to the outer side; and, FIG. 2 is a cross-sectional view of the wheel of FIG. 1 taken along the lines 2-2 of FIG. 1.

**1 Claim, 2 Drawing Sheets**



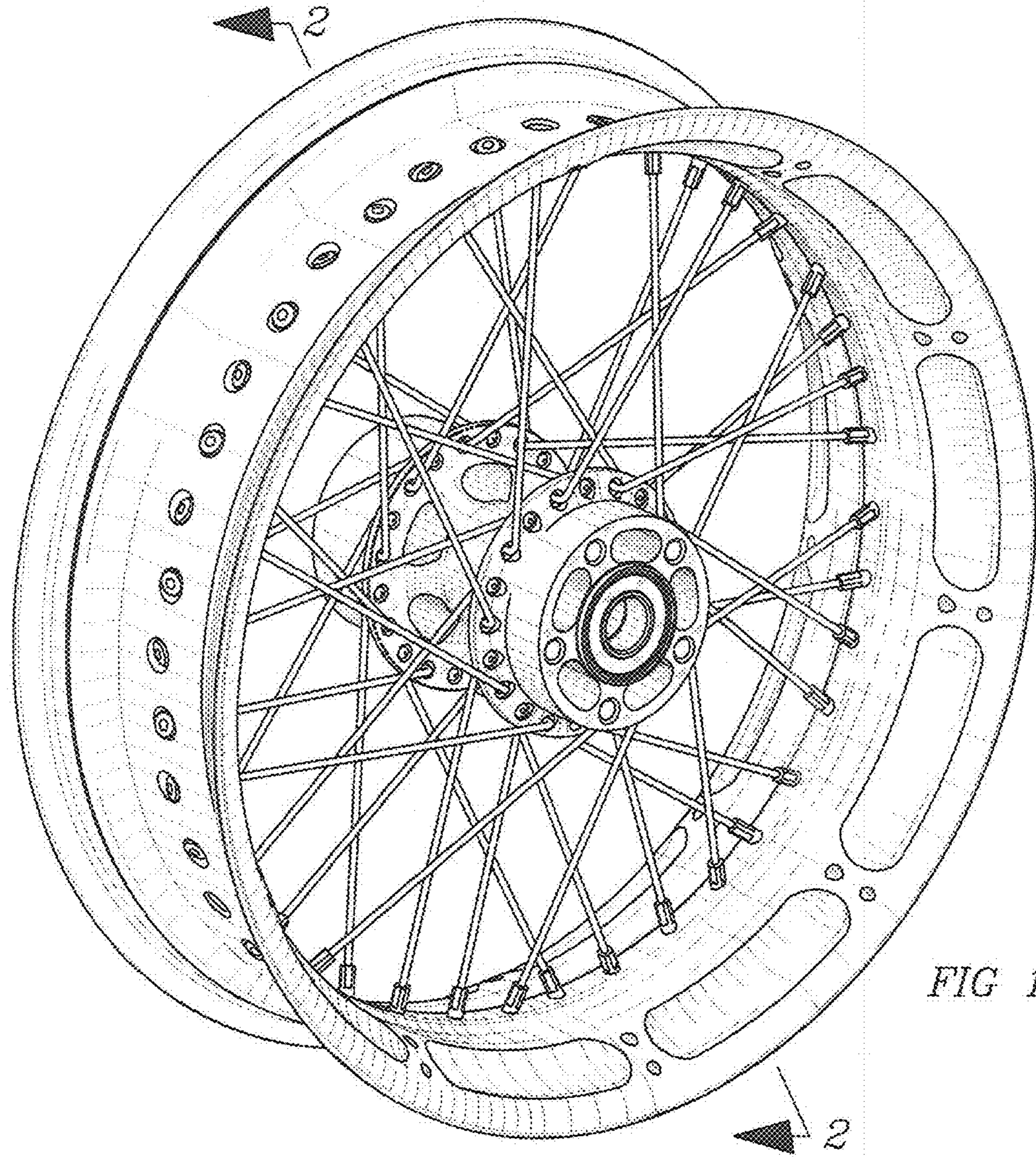


FIG 1

