



US00D644138S

(12) **United States Design Patent**
Webb

(10) **Patent No.:** **US D644,138 S**

(45) **Date of Patent:** **** Aug. 30, 2011**

(54) **WRAPPABLE LEATHER STRAP**

(75) Inventor: **Shannon Webb**, Miami, FL (US)

(73) Assignee: **Rock Candy Miami, Inc.**, Miami, FL (US)

(**) Term: **14 Years**

(21) Appl. No.: **29/356,018**

(22) Filed: **Feb. 18, 2010**

(51) **LOC (9) Cl.** **11-01**

(52) **U.S. Cl.** **D11/3**

(58) **Field of Classification Search** D11/1,
D11/4, 5, 6, 11, 12, 15, 17, 21, 22, 25, 93,
D11/94, 192; D10/32; D3/207; 63/11, 7,
63/3.1, 3.2, 4, 5.1, 5.2; 362/104, 571; 40/633
See application file for complete search history.

(56) **References Cited**

U.S. PATENT DOCUMENTS

D89,586	S	*	4/1933	Glass	D11/4
D186,541	S	*	11/1959	Streed	D11/2
4,068,318	A	*	1/1978	McMahon	2/170
D372,878	S	*	8/1996	Finnegan	D11/3

6,425,137	B1	*	7/2002	Fakhrai	2/170
D548,128	S	*	8/2007	Andren et al.	D11/3
D555,353	S	*	11/2007	Kennedy	D3/218

* cited by examiner

Primary Examiner — Austin Murphy

(74) *Attorney, Agent, or Firm* — Laurence A. Greenberg;
Werner H. Stemer; Ralph E. Loche

(57) **CLAIM**

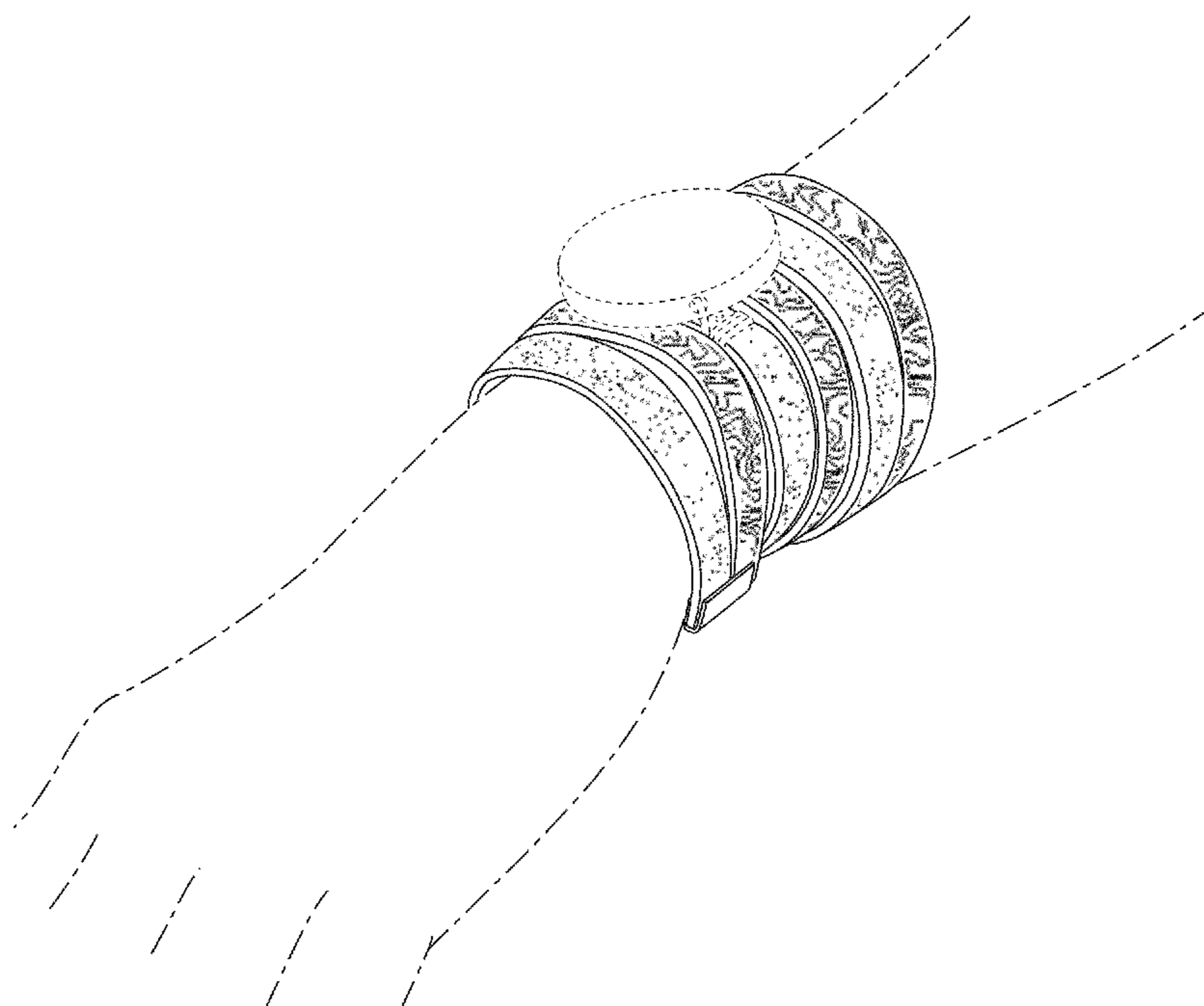
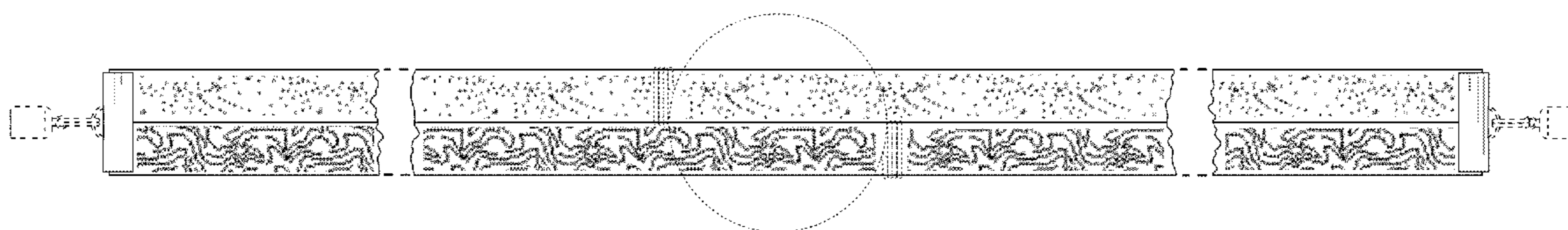
The ornamental design for a wrappable leather strap, as shown and described.

DESCRIPTION

FIG. 1 is a top plan view of a double leather strap, showing my new design;
FIG. 2 is a bottom view thereof, showing the suede side of the leather;
FIG. 3 is a side view thereof;
FIG. 4 is an end view thereof; and,
FIG. 5 shows a perspective view of the leather strap worn as a bracelet.

Subject matter illustrated in dashed lines is shown for illustrative purposes only and does not form part of the claim.

1 Claim, 2 Drawing Sheets



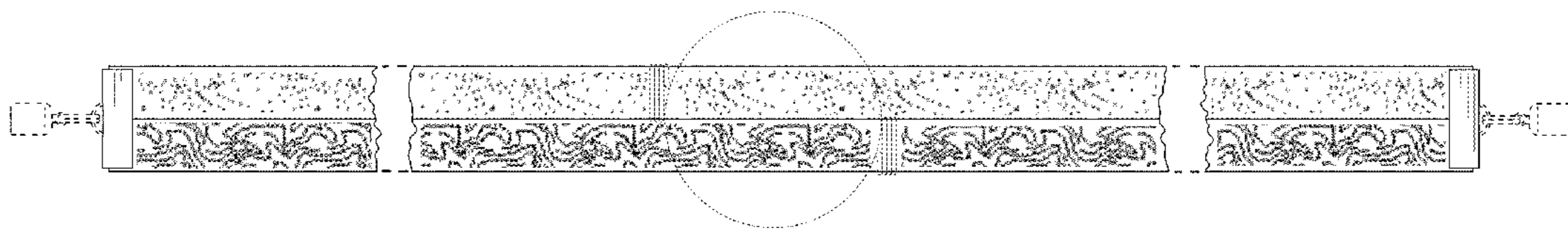


FIG. 1

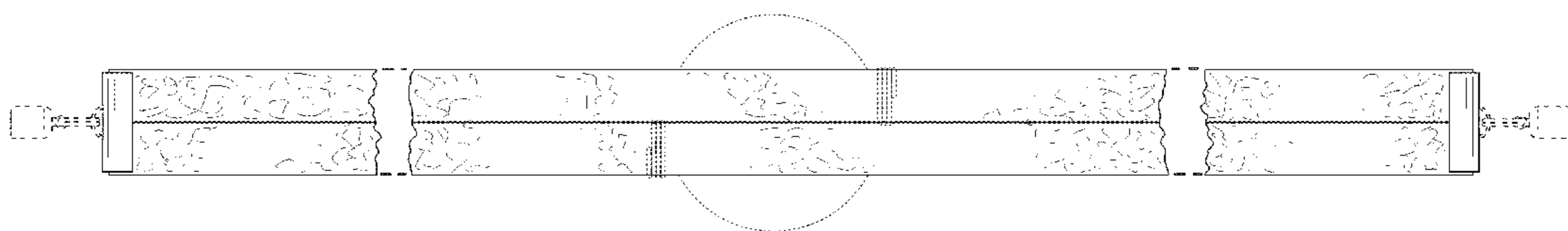


FIG. 2

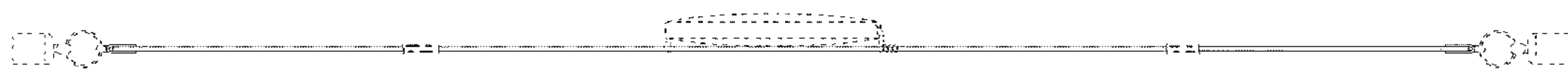


FIG. 3

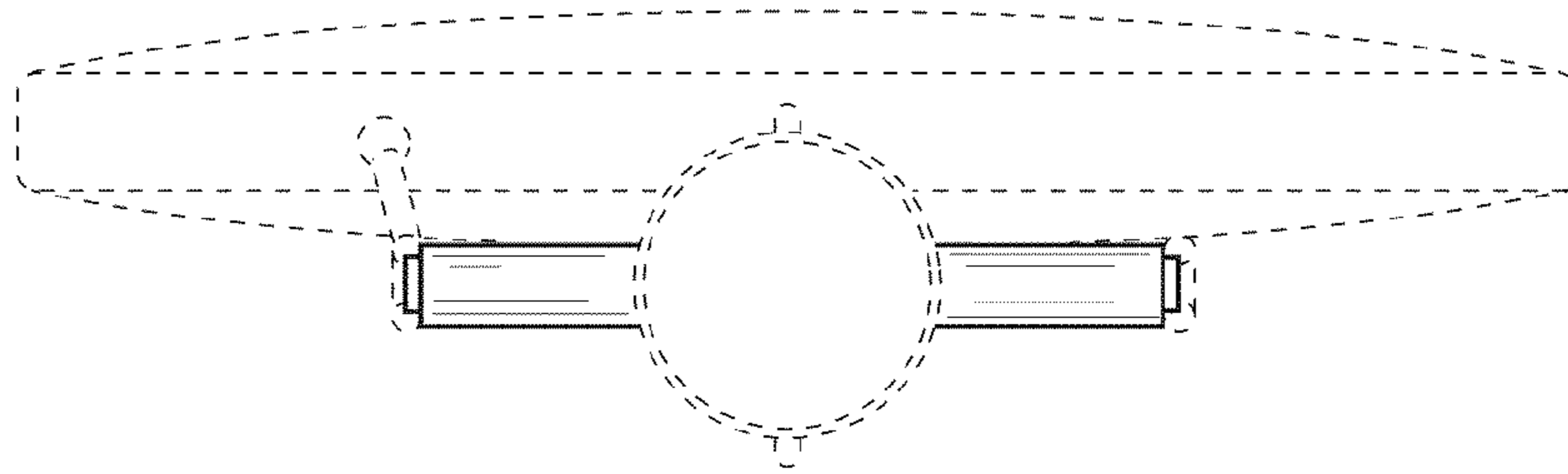


FIG. 4

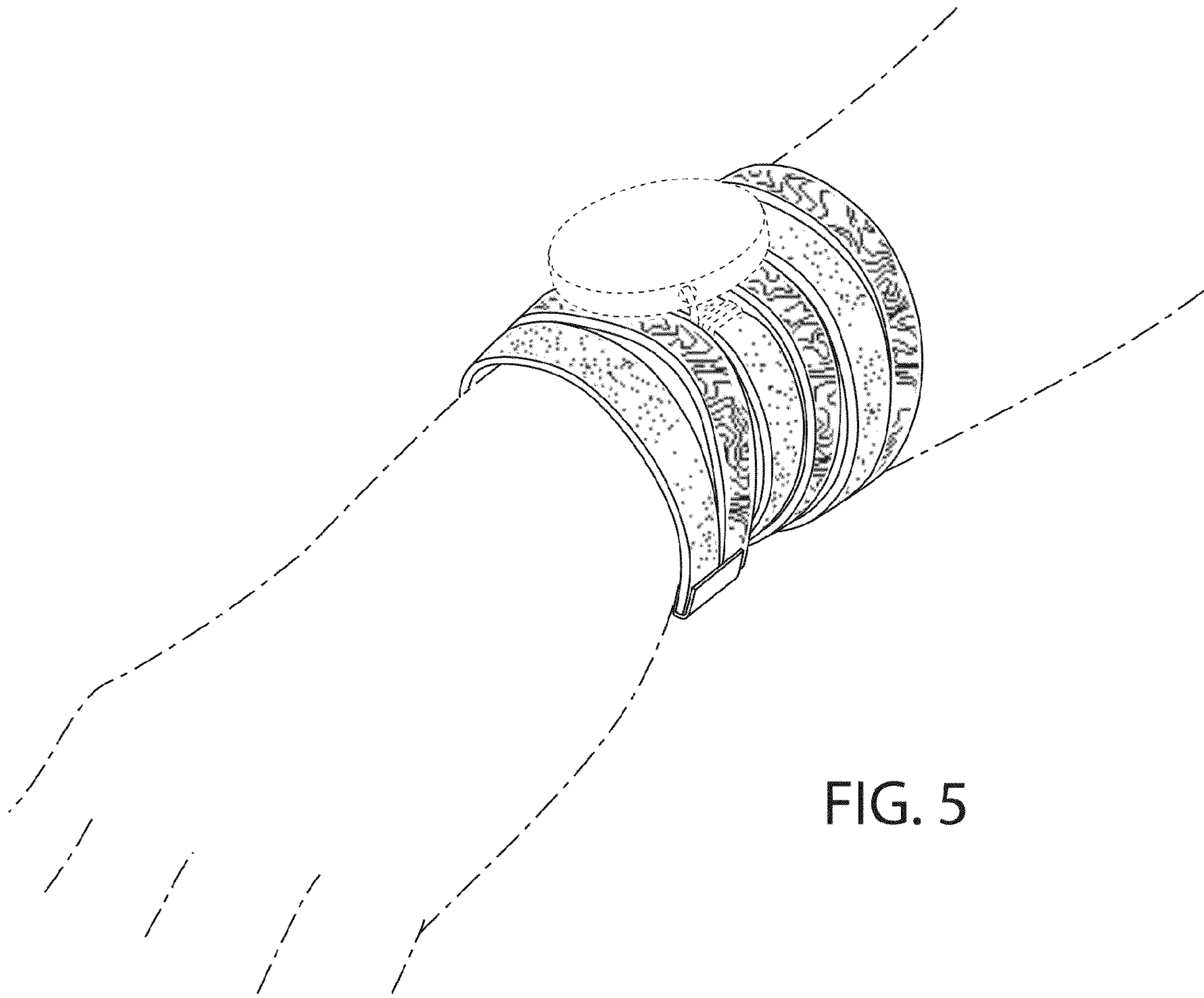


FIG. 5