



US00D644136S

(12) **United States Design Patent**
Cai

(10) **Patent No.:** **US D644,136 S**

(45) **Date of Patent:** **** Aug. 30, 2011**

(54) **MINI LIGHTBAR**

(76) Inventor: **Yimei Cai**, Ningbo (CN)

(**) Term: **14 Years**

(21) Appl. No.: **29/369,974**

(22) Filed: **Sep. 16, 2010**

(51) **LOC (9) Cl.** **10-05**

(52) **U.S. Cl.** **D10/114.4**

(58) **Field of Classification Search** D10/114,
D10/104, 106, 109, 111; 362/542, 493, 480;
D26/28, 35, 80-86, 72-77; 340/468

See application file for complete search history.

(56) **References Cited**

U.S. PATENT DOCUMENTS

D420,755 S *	2/2000	Pokorny et al.	D26/28
D519,394 S *	4/2006	DiPasquale	D10/106
D583,695 S *	12/2008	Grote, Jr.	D10/109
D614,521 S *	4/2010	Lyons	D10/114

* cited by examiner

Primary Examiner — Richard E Chilcot

Assistant Examiner — George D Kirschbaum

(57) **CLAIM**

The ornamental design for a mini lightbar, as shown.

DESCRIPTION

FIG. 1 is a perspective view of a mini lightbar, showing the new design;

FIG. 2 is a front elevational view thereof;

FIG. 3 is a rear elevational view thereof;

FIG. 4 is a top elevational view thereof;

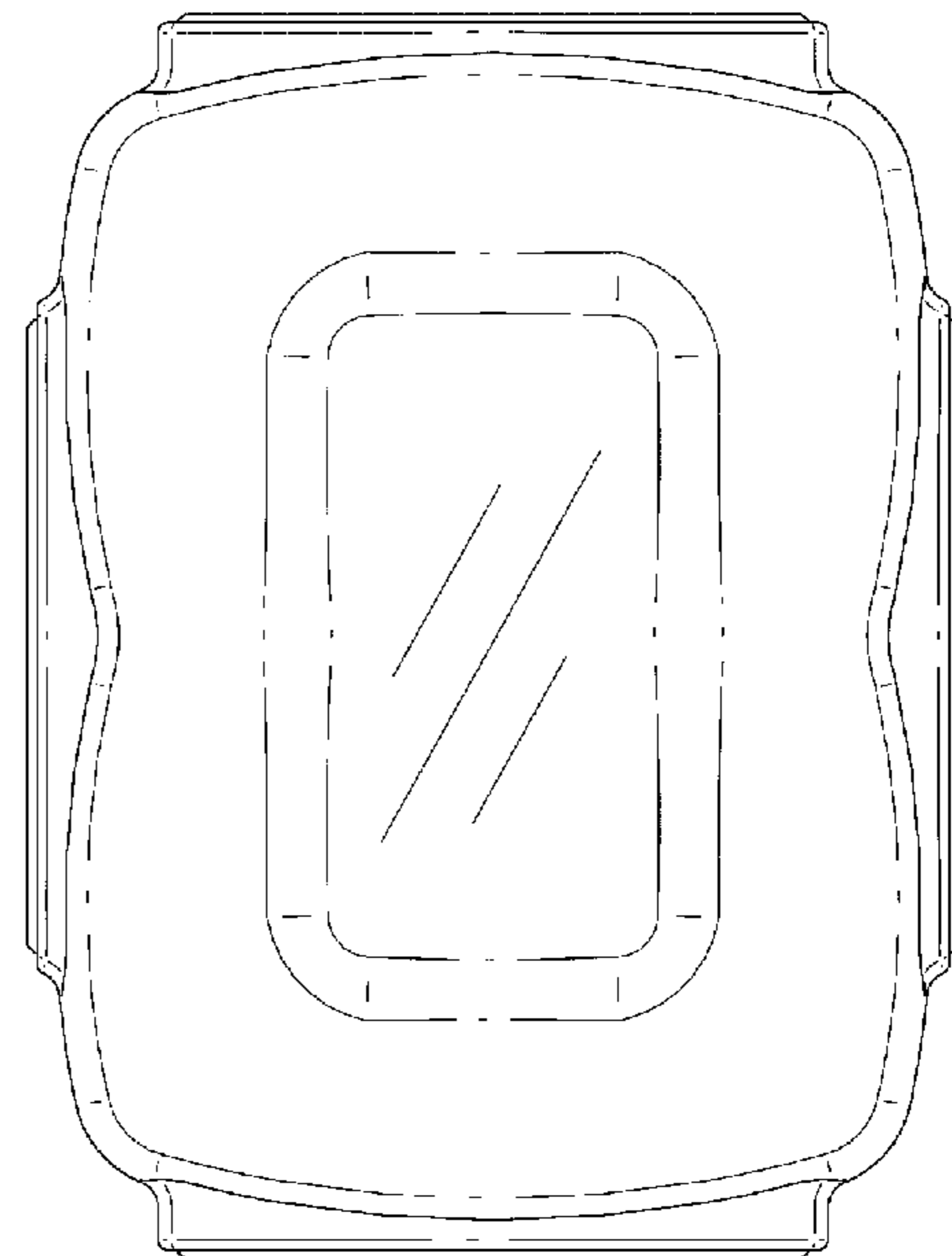
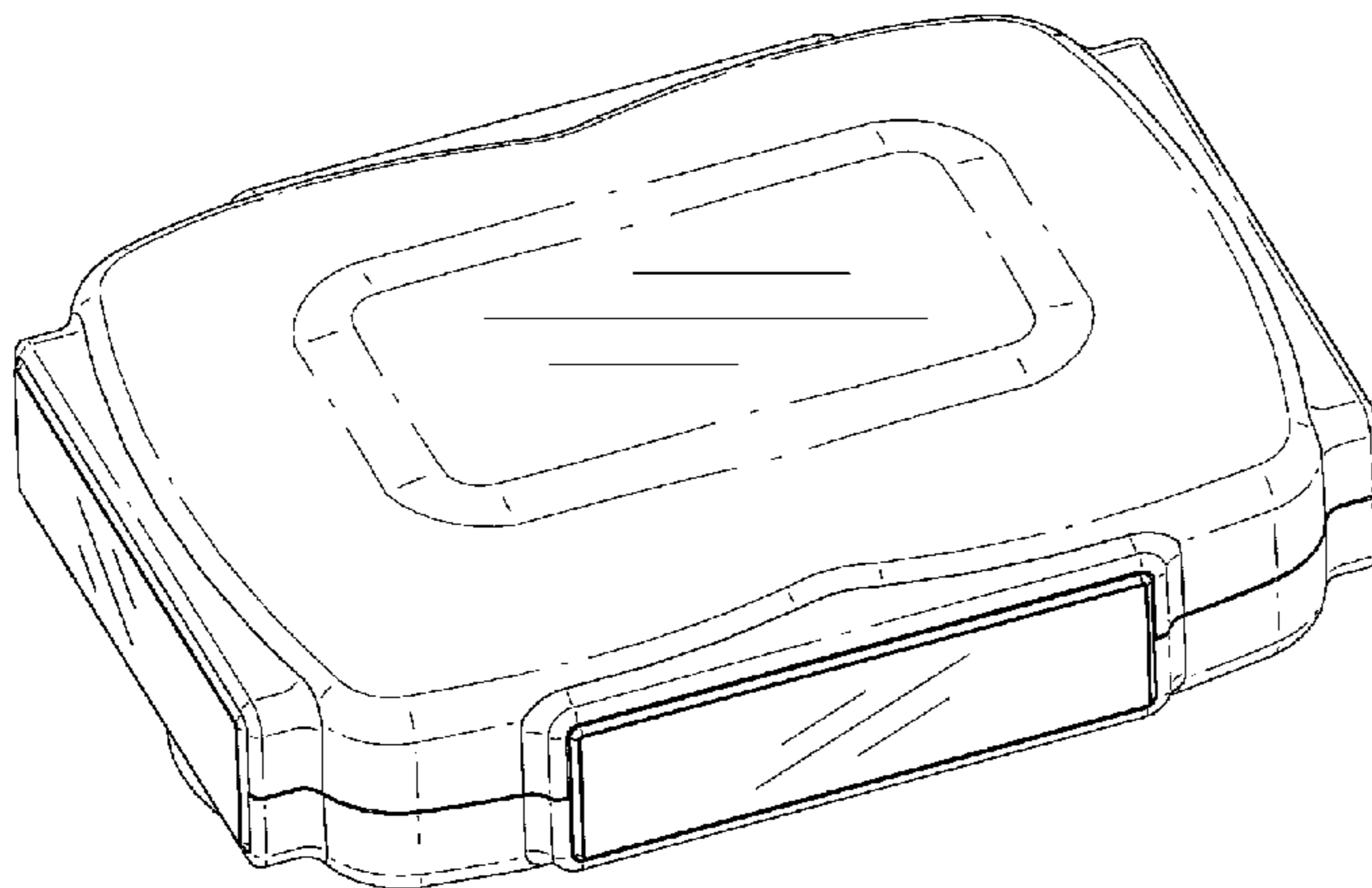
FIG. 5 is a bottom elevational view thereof;

FIG. 6 is a left side elevational view thereof; and,

FIG. 7 is a right side elevational view thereof.

The broken lines depict unclaimed environmental subject matter.

1 Claim, 6 Drawing Sheets



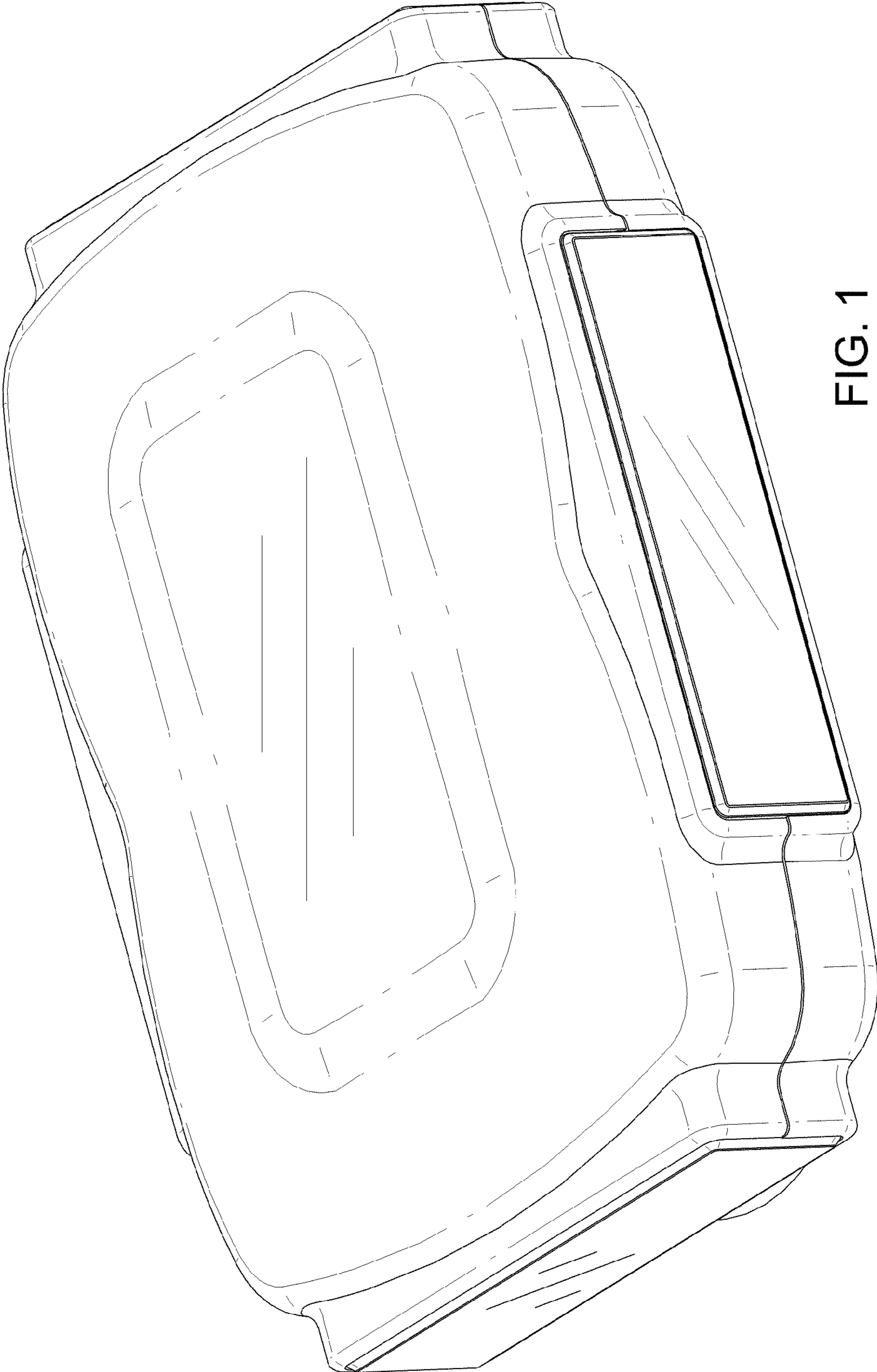


FIG. 1

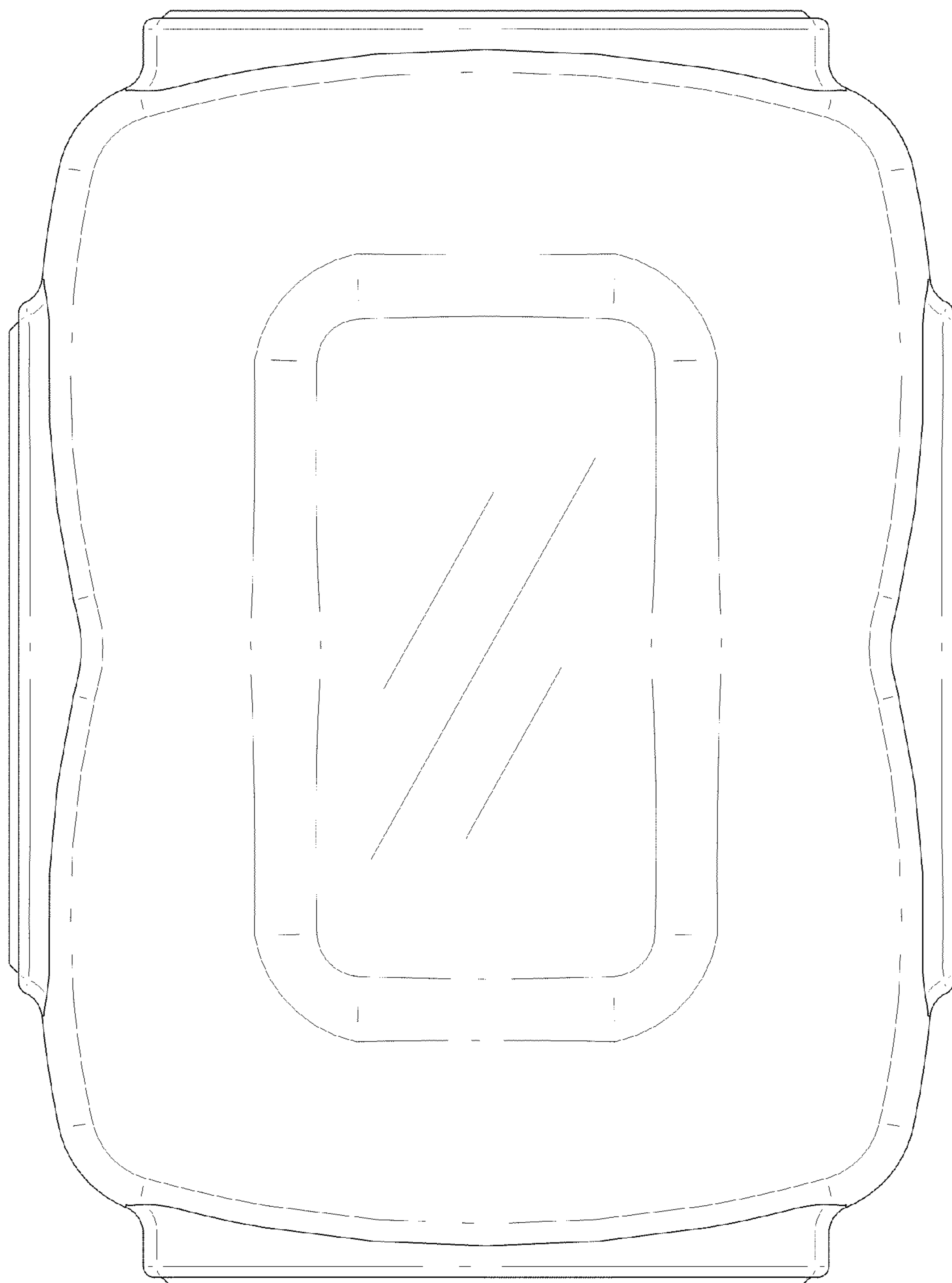


FIG. 2

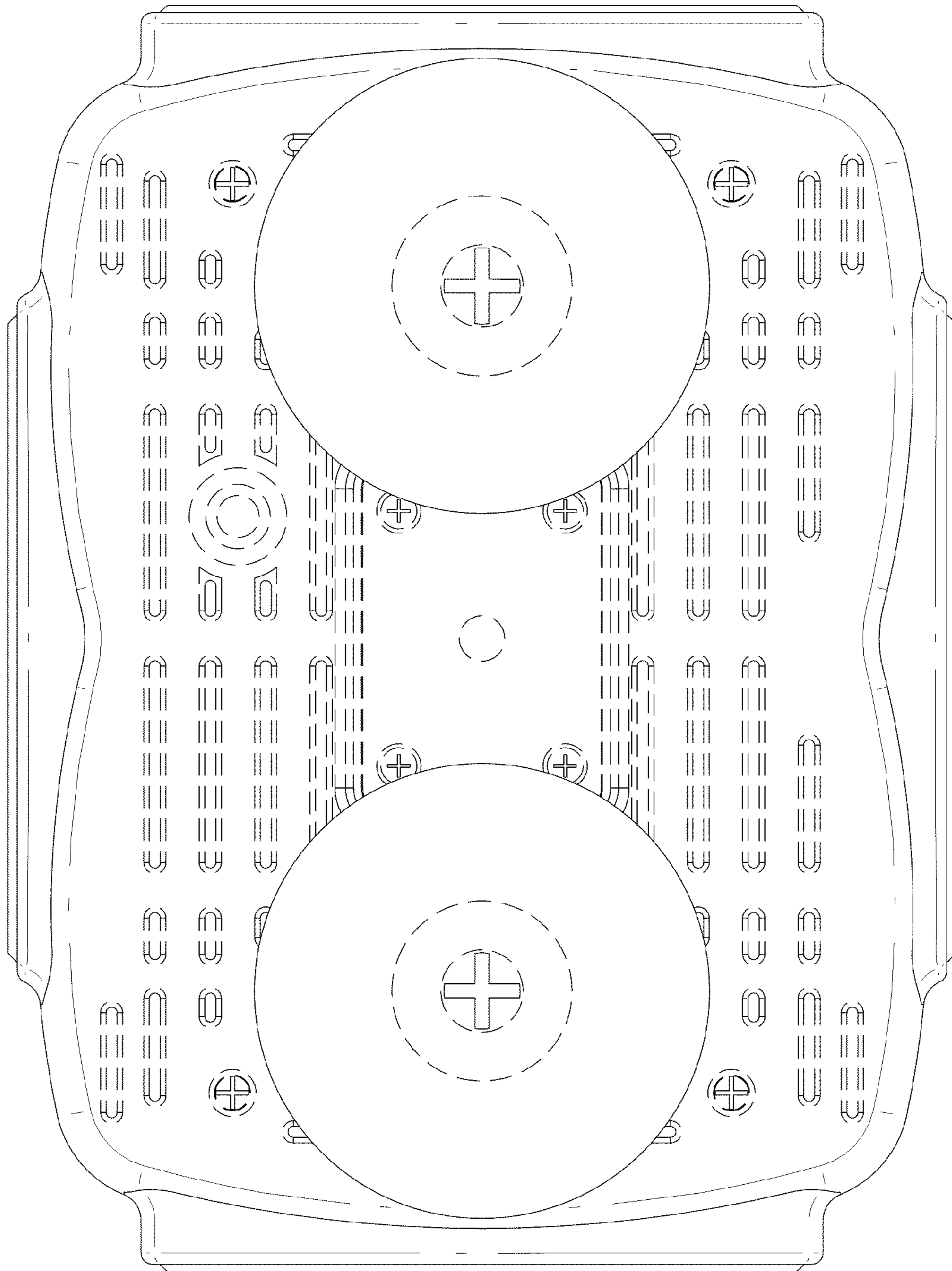


FIG. 3

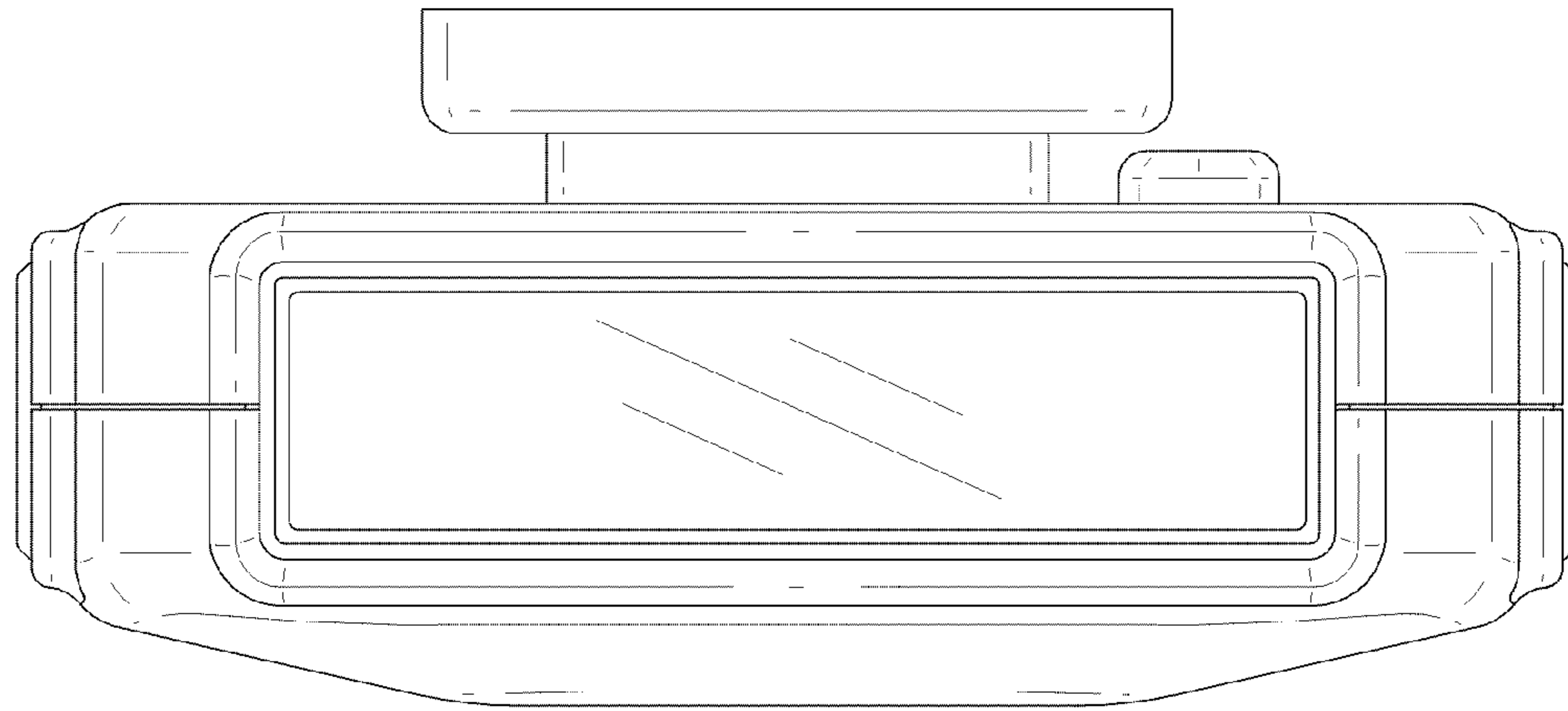


FIG. 4

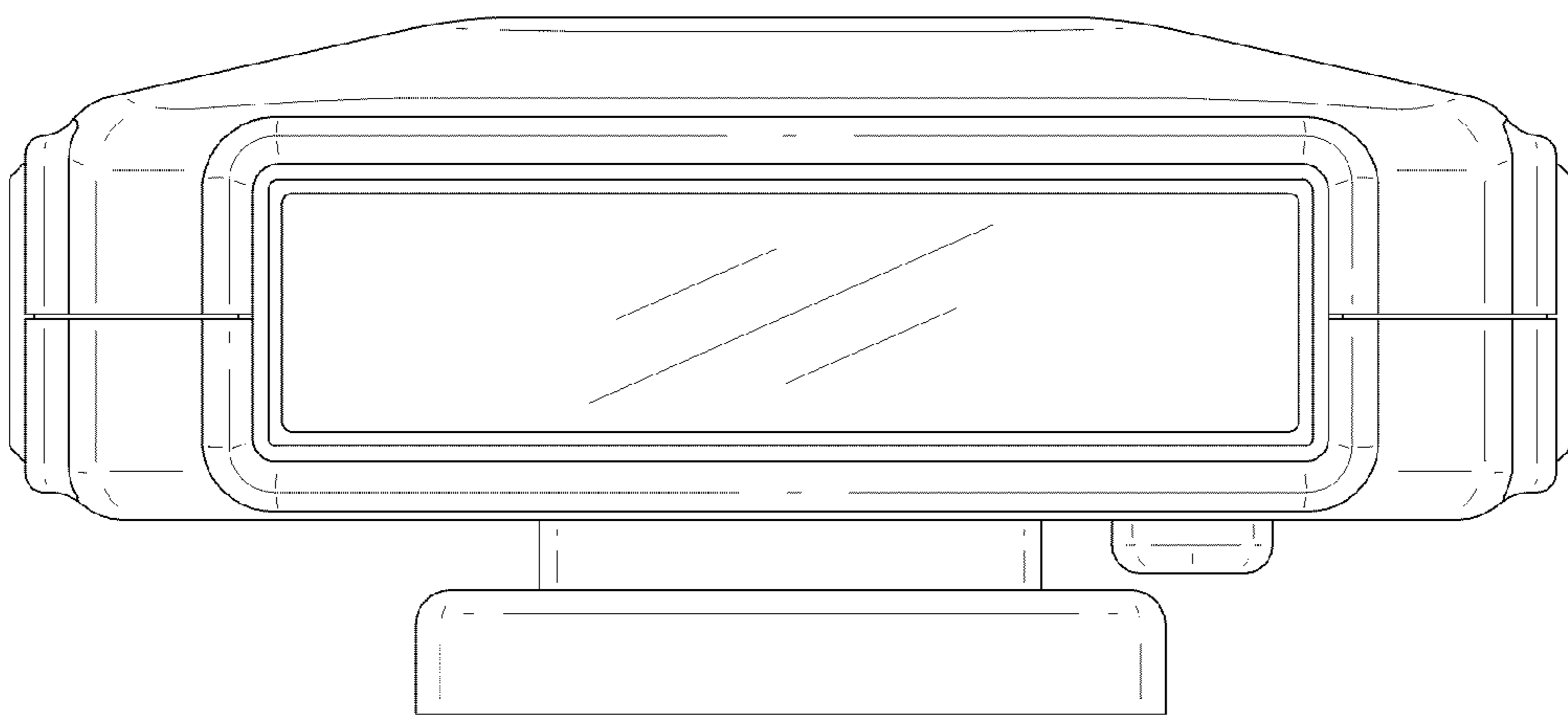


FIG. 5

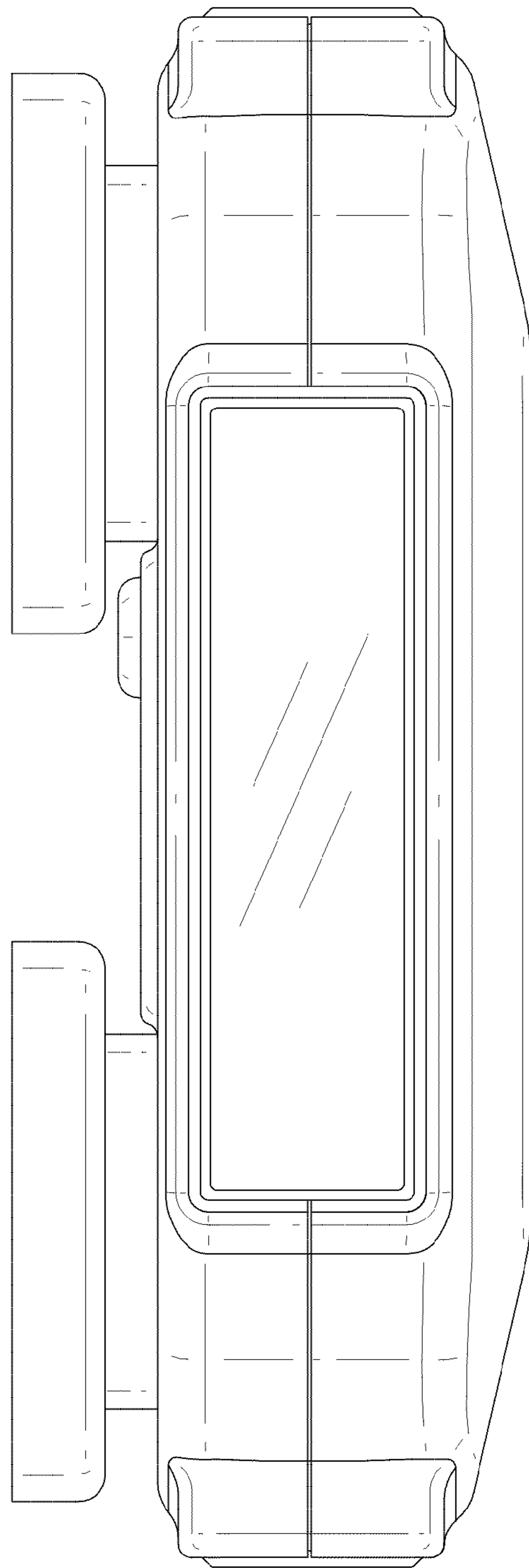


FIG. 6

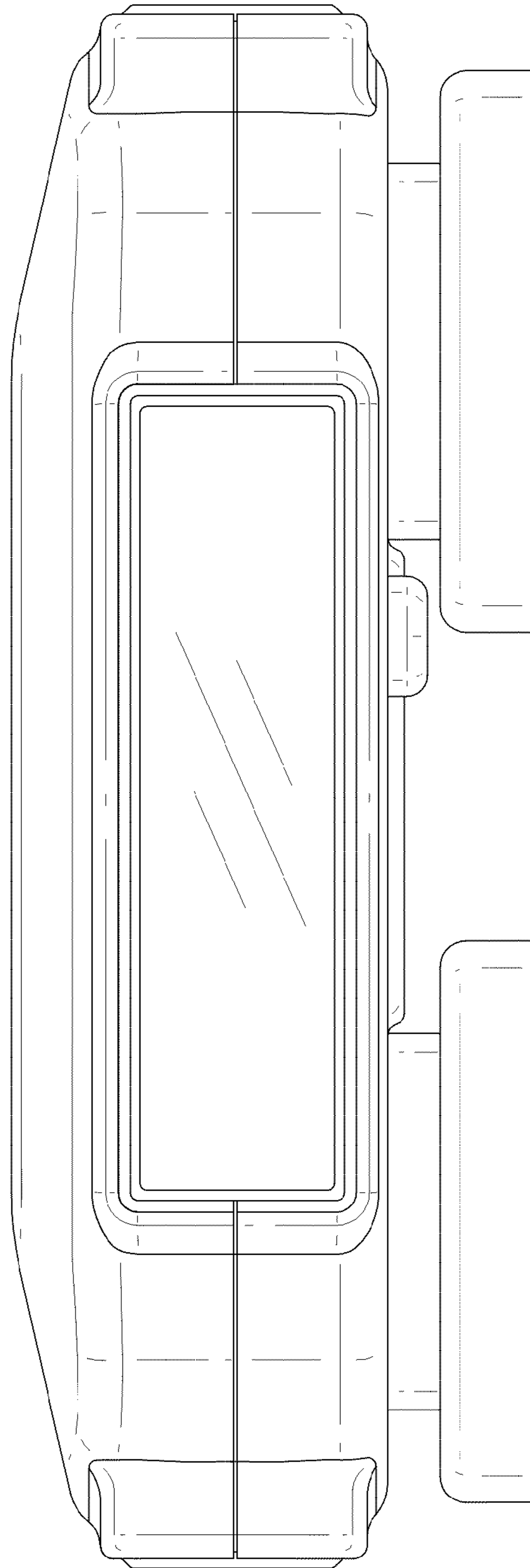


FIG. 7