



US00D644135S

(12) **United States Design Patent**
Cai

(10) **Patent No.:** **US D644,135 S**

(45) **Date of Patent:** **** Aug. 30, 2011**

(54) **LED LIGHTBAR**

(76) **Inventor:** **Yimei Cai, Ningbo (CN)**

(**) **Term:** **14 Years**

(21) **Appl. No.:** **29/369,973**

(22) **Filed:** **Sep. 16, 2010**

(51) **LOC (9) Cl.** **10-05**

(52) **U.S. Cl.** **D10/114.4**

(58) **Field of Classification Search** D10/114,
D10/104, 106, 109, 111; 362/542, 493, 480;
D26/28, 35, 80-86; 340/468

See application file for complete search history.

(56) **References Cited**

U.S. PATENT DOCUMENTS

D476,253 S * 6/2003 Stein et al. D10/114
D585,318 S * 1/2009 Jalala D10/114

D608,674 S * 1/2010 Lyons D10/114
D617,226 S * 6/2010 Cai et al. D10/114
2009/0116257 A1* 5/2009 Rosemeyer et al. 362/493

* cited by examiner

Primary Examiner — Richard E Chilcot

Assistant Examiner — George D Kirschbaum

(57) **CLAIM**

The ornamental design for a LED lightbar, as shown.

DESCRIPTION

FIG. 1 is a perspective view of a LED lightbar, showing the new design;

FIG. 2 is a front elevational view thereof;

FIG. 3 is a rear elevational view thereof;

FIG. 4 is a top elevational view thereof;

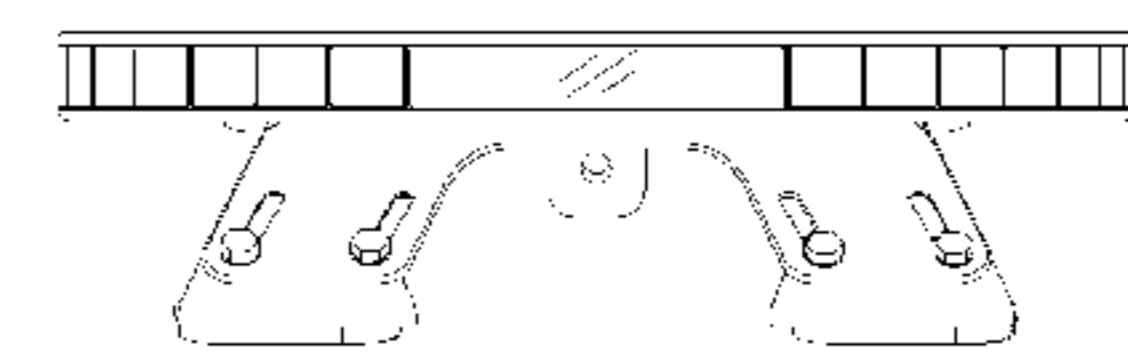
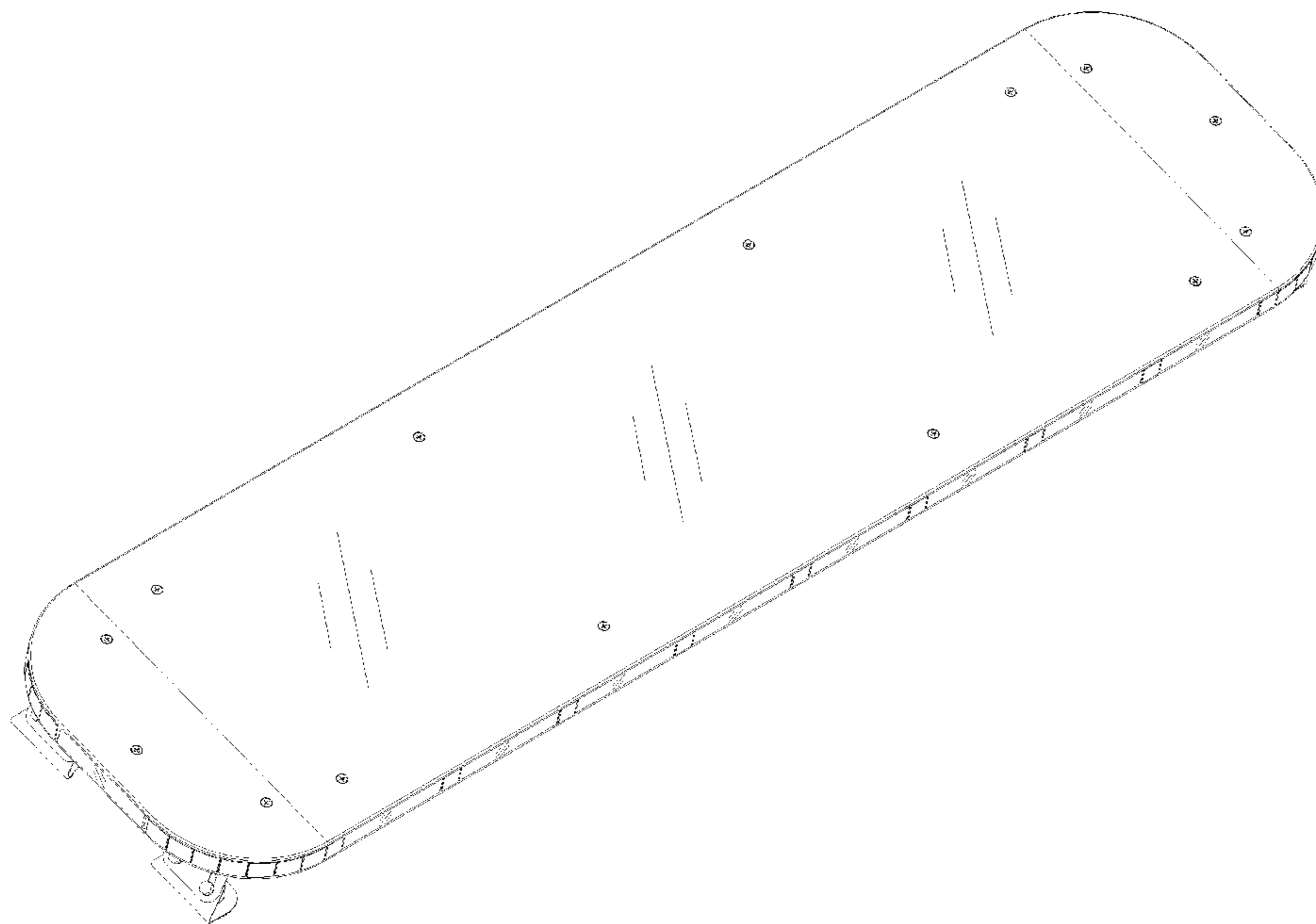
FIG. 5 is a bottom elevational view thereof;

FIG. 6 is a left side elevational view thereof; and,

FIG. 7 is a right side elevational view thereof.

The broken lines depict unclaimed environmental subject matter.

1 Claim, 6 Drawing Sheets



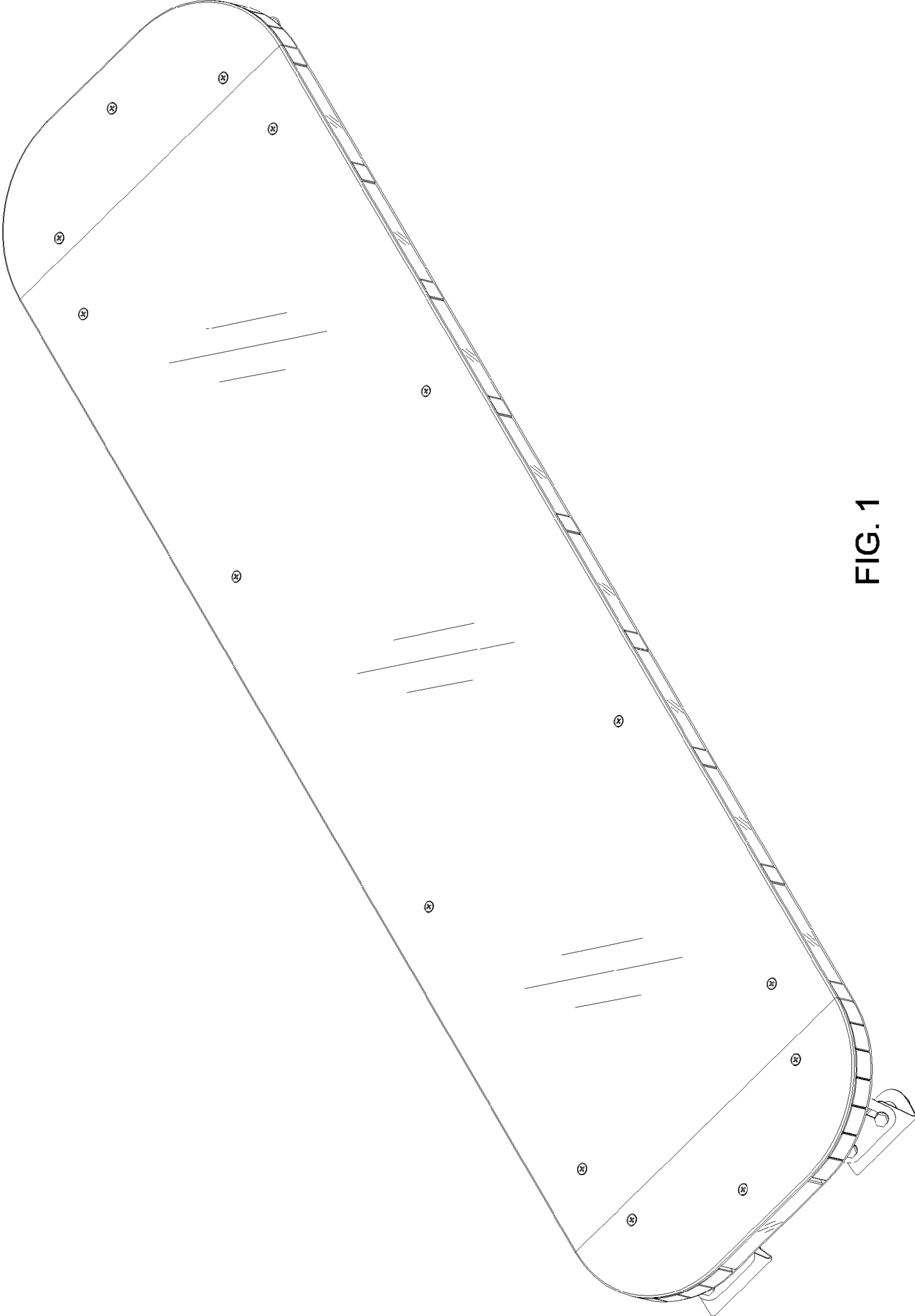


FIG. 1

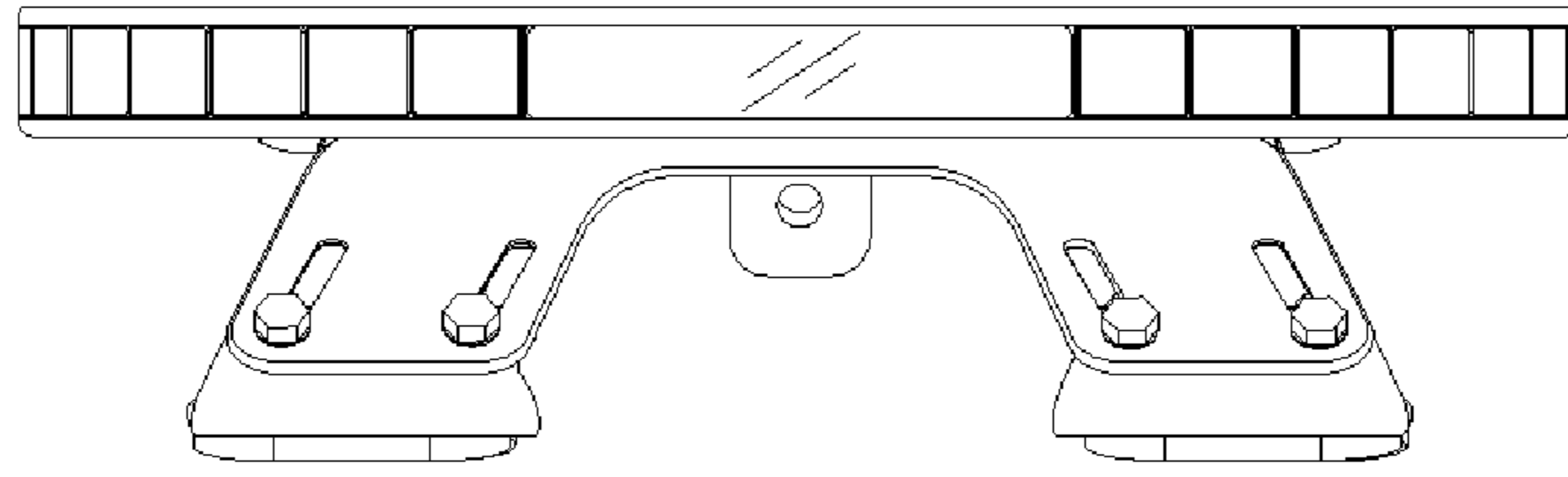


FIG. 2

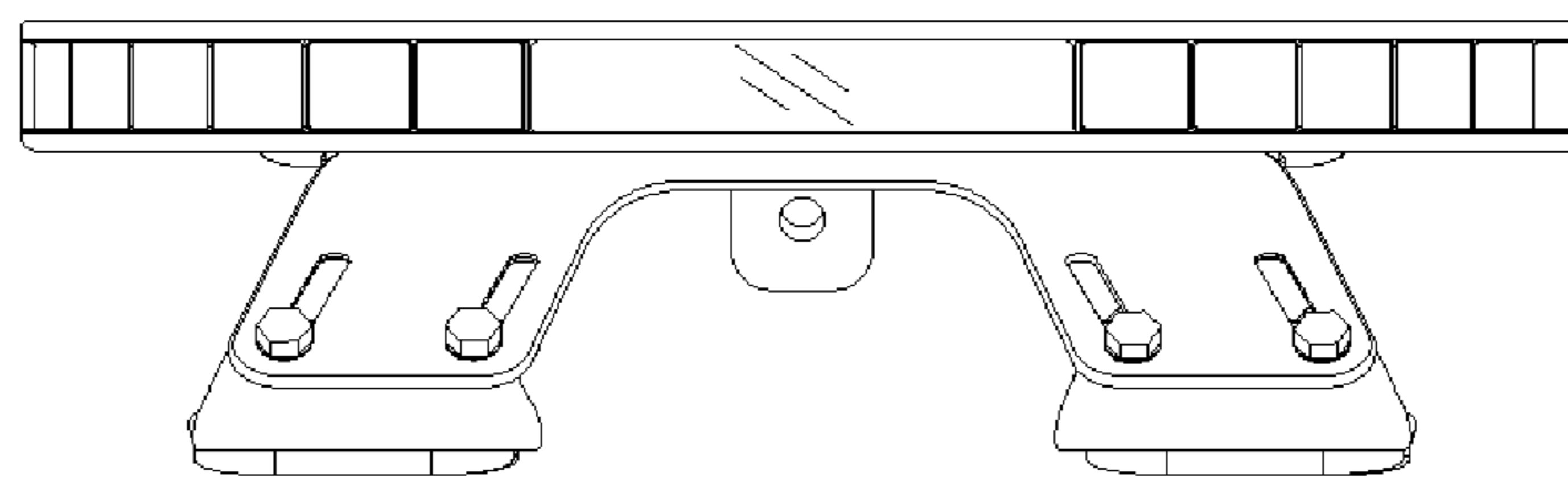


FIG. 3

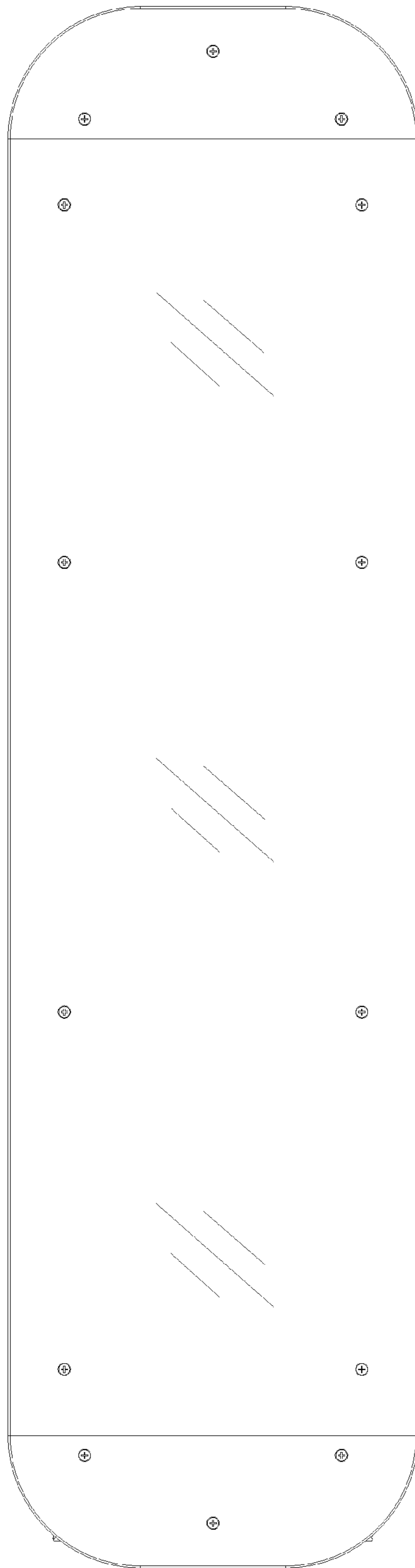


FIG. 4

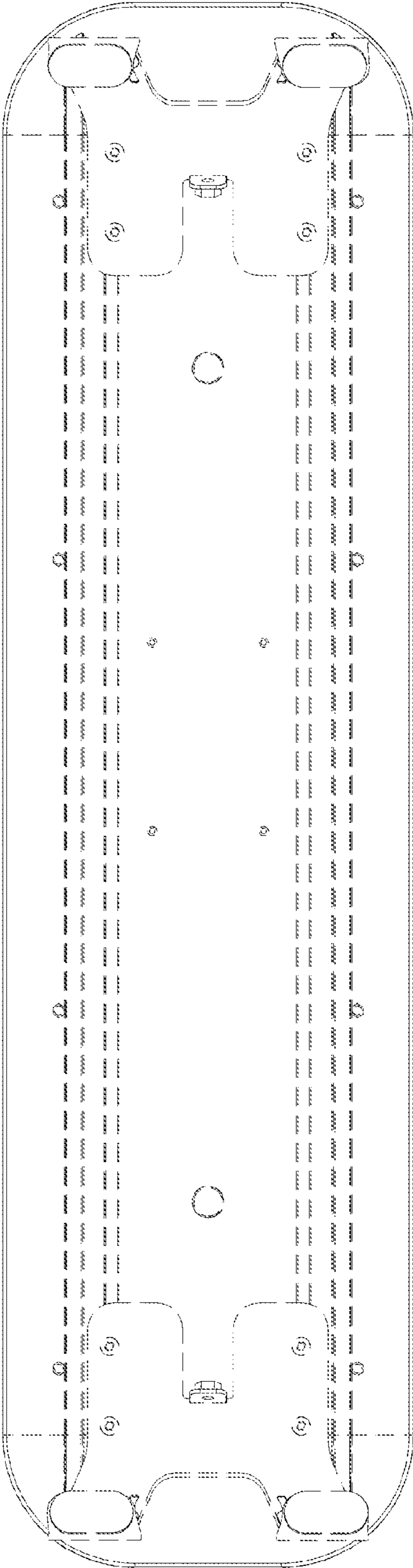


FIG. 5

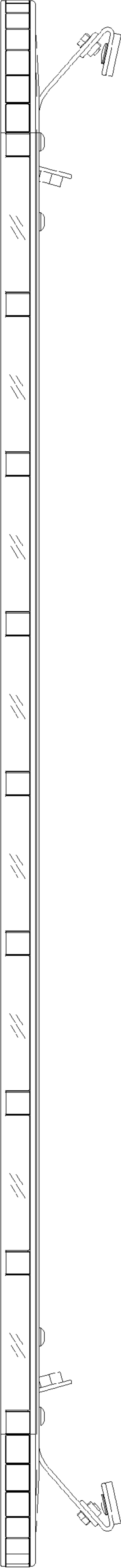


FIG. 6

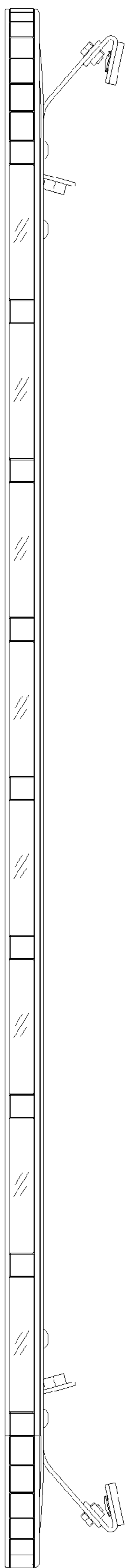


FIG. 7